



## AVL Power Harness

Automatic Vehicle Locator (AVL)

### General Description

- Allows hard-wiring of GPS tracking unit
- Part Description: Switching Power Supply
- Model Number: P-029B
- Design Model Number: P-029B-B2799

### Input Specifications

- Rated Voltage Range: 10 – 26 Vdc
- Full load Power Consumption: 5 W
- Input Over-Current Protection:
  - VDE/UL/CCC Fuse 2.5A/250V OR 2.0A/250V

### Output Specifications

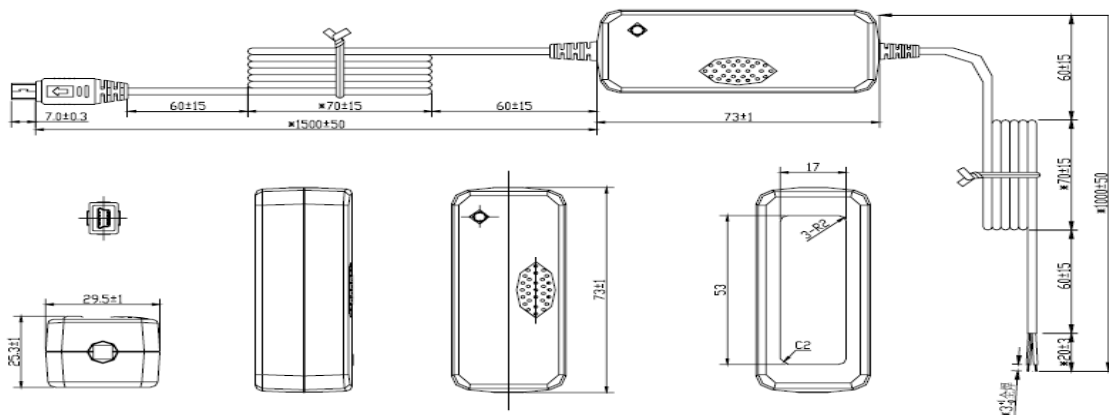
- Rated Voltage Range: 4.75 – 5.25
- Rated Current: 500 mA
- Load Output Ripple: 150 mVp-p

### Environmental Constraints

- Storage: -25 – 80 C , max. 95% Humidity
- Operating: 0 – 55 C , max. 95% Humidity

### Other

- Over Temperature Circuit Protection: 140 C
- Reliability: 50000 hour
- Dimensions (mm): 25.3 H x 29.5 W x 73 D
- Length (m / ft): 2.5 / 8





## Covert GPS Tracking System

### Features

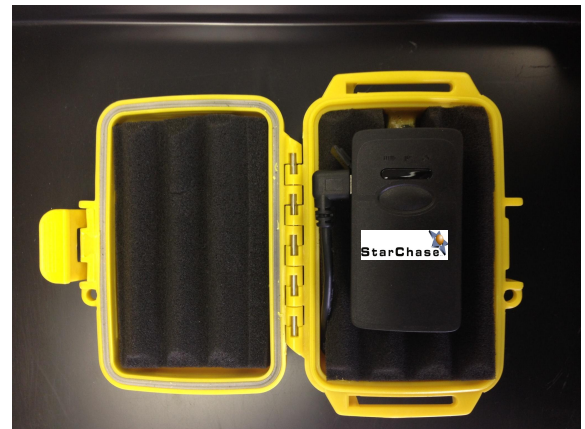
- Tiny 1.4"(36mm) wide battery operated GPS Tracker
- Configurable update rates / long battery life
- On Demand or Fixed Interval Reporting
- Battery Life (1-20 days based on usage)
- IP66 - dust/water resistant

### Technical Specifications

- Quad-Band 850/900/1800/1900MHz
- Compliant to GSM phase 2/2+
  - o Class 4 (2W @ 900MHz)
  - o Class 1 (1W @ 1800/1900MHz)
- Operating Temperature Range: -10 to +50 C (14 to 122 F)
- Battery Capacity : 1300 mAh
- Dimensions: 66 x 36 x 20mm (2.6" x 1.4" x .78")
- Weight : 60g (2.12oz)

### Standards

- GPS Chipset: SiRF Star III
- Channels: 20 channel all-in-view tracking
- Reacquisition: 0.1 second average
- Hot Start: 1 second average
- Warm Start: 38 second average
- Cold Start: 42 second average



\*Optional Pelican case with extended life battery

### User Defined Settings Include

- Full GeoFence Capability
  - o Movement Detect settings
- User defined location update frequency
  - o Min 5 second update interval
  - o Controllable update interval using standard SMS over-the-air commands
- Pricing based on location frequency



## Covert Tracking System

### Features

- Tiny 1.4" (36mm) wide battery operated GPS Tracker
- Configurable rates / battery life
- Available external battery and GPS antenna
- On Demand or Fixed Interval Reporting
- Long Battery Life (1-20 days based on usage)
- IP66 - dust/water resistant
- Built in 3D motion sensor (200 series)

### Technical Specifications

- Quad-Band 850/900/1800/1900MHz
- Compliant to GSM phase 2/2+
  - o Class 4 (2W @ 900MHz)
  - o Class 1 (1W @ 1800/1900MHz)
- Operating Temperature Range: -20 t o +55 C
- Battery Capacity : 1300 mAh, 3.7 volt
- Dimensions: 67.5 x 40 x 21mm
- Weight : 60g (2.12oz)

### Standards

- GPS Chipset: MTK All-In-One GPS Receiver
- Channels: 20 channel all-in-view tracking
- Reacquisition: 0.1 second average
- Hot Start: <1 second average
- Warm Start: <35 second average
- Cold Start: 35 second average



### User Defined Settings Include

- Full GeoFence Capability - 5 regions
  - o Movement Detect settings
- User defined location update frequency
  - o Min 5 second update interval
  - o Controllable update interval using standard SMS over-the-air commands
- Pricing based on location frequency



## StarChase SC100 GPS Tag

### ***GPS Tag Consists of:***

Highly sensitive GPS / GPRS electronics

Quad-Band 850/900/1800/1900MHz

Electronic Interface to Launcher Rugged

Construction

Weighted for Stable In-flight Characteristics Tested & Meets

NIJ Less-Than-Lethal Standards Diameter: 56mm

Non-Caustic Heavy Duty Adhesive

Surface Conforming Foam Nose Cone

Gold-Plated Contact Surfaces





## StarChase Launcher

### ***StarChase Launcher System Consists of:***

*Dual Barrel Configuration*

Compressed Air Propulsion

Environmentally Protected

Eye-safe targeting green laser

Compact Back-lit Interior Control Panel

Up & Down Elevation aiming control

Can be fired via user remote key fob

Rugged Construction

Operating Temperature Range: -1 to 0  
+50 C (30 to +122 F )

Increased Radio Frequency (RF) Shielding

### ***Console Dimensions:***

Width: 5.49" / 14cm Height: 3.12" / 8cm

### ***Power Consumption:***

Max Peak Current draw: 11.01 A @ 13.8 Vdc Minimum Current  
draw: .11 A @ 13.8 Vdc





## StarChase Marking Projectile

### ***Marking Training Projectile Consists of:***

Non-Stick Foam Nose Cone

Designed for Training Use Only

Weighted for Stable In-flight Characteristics Tested & Meets

NIJ Less-Than-Lethal Standards Diameter: 56mm

Reusable





## StarChase Training Projectile

### ***Training Projectile Consists of:***

Surface Conforming Foam Nose Cone Non-

Caustic Heavy Duty Adhesive Designed for

Training Use Only

Electronic Interface to Launcher Rugged

Construction

Weighted for Stable In-flight Characteristics Tested & Meets

NIJ Less-Than-Lethal Standards Diameter: 56mm

Gold-Plated Contact Surfaces

Training Reusable When Handled Properly

