

# REMOTE CONTROLLED WEAPON STATION DRWS 1



Overhead remote controlled weapon station is intended for destroying manpower and light armored means of enemy



## ADVANTAGES

- Super ergonomics and small weight
- Wide angles of sighting
- High level of target detection and identification
- High level of shooting accuracy
- Increased shooting capabilities in conditions of limited visibility
- Direct contact between shooter and crew
- Simple integration and operation

## SPECIAL CHARACTERISTICS

- Sighting system ensures effective use of module during day-night and difficult weather conditions
- High efficiency of target destruction due to use of technologically advanced sighting systems
- Capability of module usage in intelligence and monitoring purposes
- Disposition of shooter (operator) below the line of fire
- Possibility of integration of equipment on different platforms without reducing inner volume of vehicle
- Capability of fast changing of chosen weapon
- Low silhouette



## COMBAT MODULE ARMAMENT \*

Main - 12,7 mm heavy machine gun HCBT

Effective fire distance - 1300 m

Additional - 7.62 mm twinned machine gun ПКТ

Effective fire distance - 800 m

## SIGHTING ANGLES

Angle of rotation in horizontal plane -  $\pm 360^\circ$

Movement of weapon in vertical plane -  $-10/+65^\circ$

Max. speed in horizontal plane - 36 grad/sec

Max. speed in vertical plane - 25 grad/sec

## SIGHTING MEANS \*

Day-night vision camera EB-363P

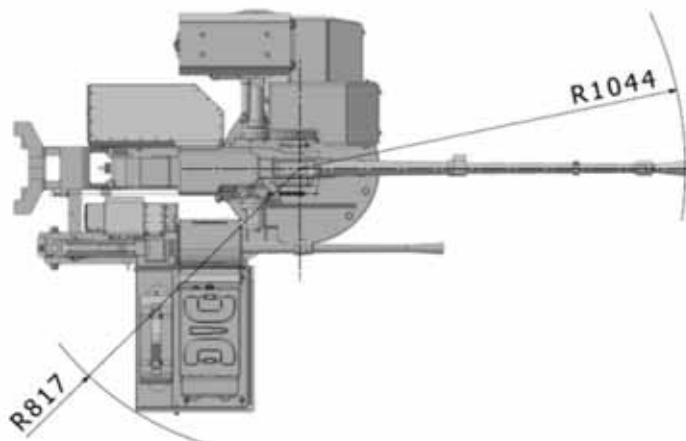
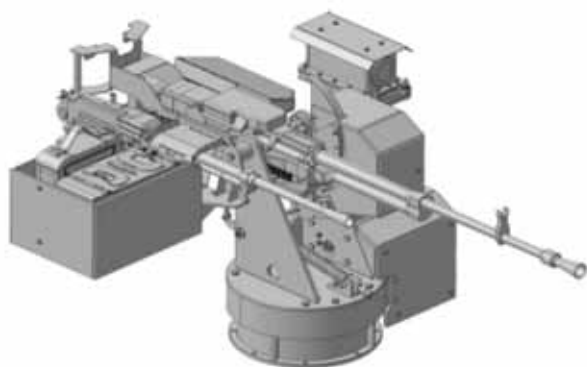
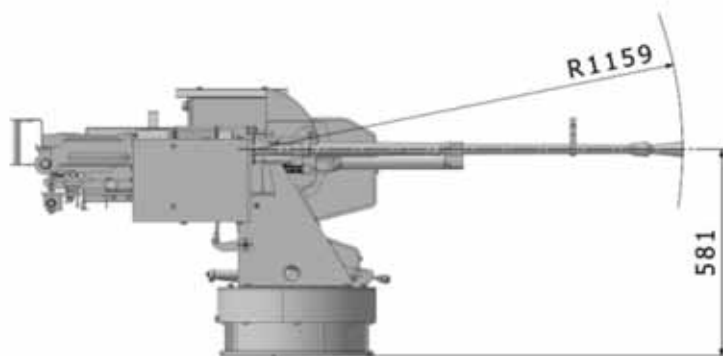
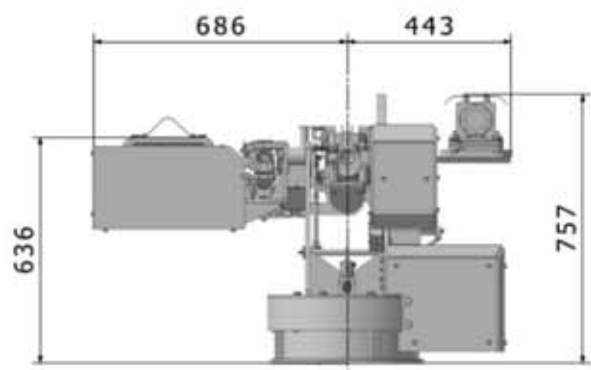
Optical zoom - 36

Detectability - 1028(H)x596(V)

Operation conditions -  $-20/+50^\circ$

## FIRE UNIT

12,7 mm caliber cartridges - 80 pcs



\*Armament and observation/aiming devices can be modified according to client request.