



VEKTOR

40mm Y3 AGL
AUTOMATIC GRENADE
LAUNCHER



VEKTOR 40mm AGL

VEKTOR

40mm Y3 **AGL** AUTOMATIC GRENADE LAUNCHER

The VEKTOR AGL is a general purpose automatic grenade launcher, firing a range of 40mm HV grenades. The flexibility of the weapon system makes it ideally suited to compliment support infantry weapons with superior effectiveness.

The weapon can be mounted on tripods, infantry vehicles and use on marine patrol boats in reconnaissance or attack. It is an ideal weapon for light helicopters. Due to its low recoil force, it is the only cannon type weapon compatible with flying platforms.



VEKTOR



DESCRIPTION

The 40mm Y3 Automatic Grenade Launcher (AGL) is a left-hand belt fed, long recoil, open breech grenade launcher in 40mm x 53mm calibre. The weapon is used as a support weapon for infantry as a vehicle mounted or tripod mounted weapon.

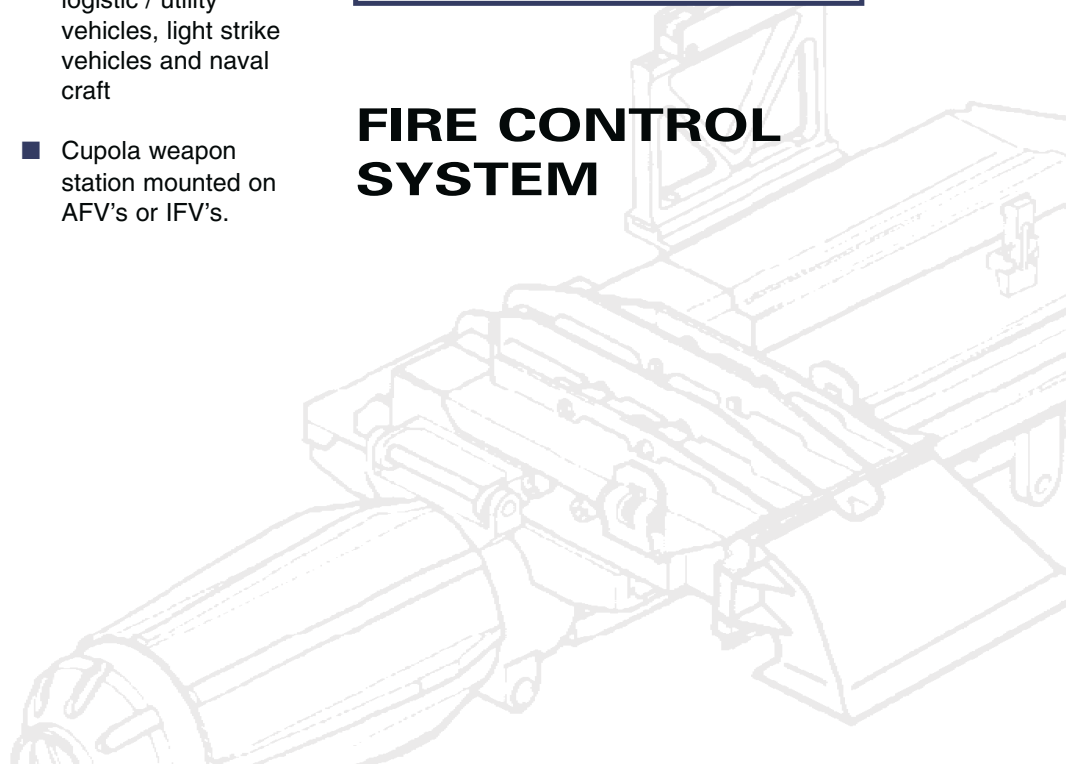
40mm Y3 AGL MOUNT OPTIONS

- Integrated Infantry Tri-pod mount
- Ring mount for use on logistic and utility vehicles
- Easily adapted multi pedestal gun mount for use on logistic / utility vehicles, light strike vehicles, light strike vehicles and naval craft
- Cupola weapon station mounted on AFV's or IFV's.



FIRE CONTROL SYSTEM

V
E
K
T
O
R
4
0
m
m
A
G
L



40mm Y3 AUTOMATIC GRENADE LAUNCHER



Product features:

- Safety, fully locked breech and barrel moving backwards
- Eject last round empty case
- Compact and lightweight
- Fully integrated tri-pod
- Electronic indirect sight
- Aimpoint direct sight
- 3-Man carrying harness system
- Weapon supplied with user's tools and accessories
- Integrated logistic support
- Compatible with international ammunition.



VEKTOR 40mm Y3 AGL Vektor indirect electronic sight

The Vektor indirect electronic sight was developed for the Automatic Grenade Launcher (AGL) to assist the user during indirect aiming. The range of the AGL is up to 2km and the target can be out of sight. In a typical situation the AGL is out of sight of the enemy. The observation post (OP) uses a laser rangefinder with built in compass to determine the co-ordinates of the target. This information and the co-ordinates of the AGL are entered into the ballistic computer, which calculates the range and bearing to the target by using tilt sensors and a range table after which it will guide the user to set his weapon on the target.





FUNCTIONAL DESCRIPTION TECHNICAL

The VEKTOR Y3 AGL is a long recoil operated weapon, that fires from the open breech position.

The long recoil system results in a light weight breech block, 2.75kg.

This is a precondition to the envisaged mortar role of the system which is a requirement of military forces.



LIW COMPACT TURRET (LCT) 40 SPECIFICATIONS

Main Weapon

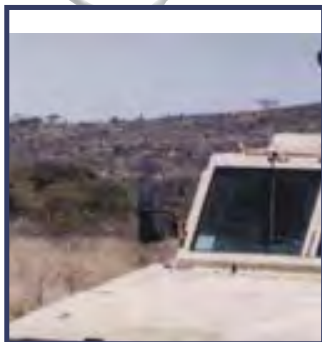
40mm Y3 Automatic Grenade Launcher (AGL)

Ready Rounds

160 x 40mm (selection of two types of ammunition from bins)

Range

Effective 2 200m



AMMUNITION



LETHALITY



40 mm High Velocity Rounds

Swartklip Products produces a complete range of 40 mm High Velocity ammunition for military applications. The ammunition is manufactured to international standards.

The rounds are linked in belts of 20 and 32 rounds per belt to enable a rapid rate of fire of 375 rounds per minute.

The range of rounds is as follows:

ROUND 40mm HIGH EXPLOSIVE

- This round is extremely effective against enemy personnel and vehicles under all terrain conditions and has a casualty radius of 5 meters.

ROUND 40mm HIGH EXPLOSIVE DUAL PURPOSE

- This is a dual purpose round which provides anti-personnel, anti-armour and anti-fortification capability under all terrain conditions, The round can penetrate 50mm of armour plate and 350mm of concrete. Casualty radius of 5 meter.

ROUND 40mm TARGET PRACTICE

- This round is used during simulated exercises and for normal training purposes in that a flash with smoke and a bang is produced on hitting a target up to 2 200 meters from the weapon.

ROUND 40mm PRACTICE

- This round is used for weapon testing as well as training and simulated exercises up to 2 200 meters. The projectile is totally inert and has the same ballistic characteristics as the HE and HE DP rounds.

ROUND 40mm PRACTICE TRACER

- This round is used during simulated exercises and has the same ballistic characteristics as the HE and HE DP rounds.

SPECIAL FEATURES

- Comprehensive Range
- Accurate and effective up to 2 200m
- The weapon is extremely safe (breech lock positive to barrel) and can fire the direct aim and indirect firing role up to 60° elevation.



40mm Y3 AGL LOGISTICS



- 1 Flat tip 6,5 X 200 screwdriver
- 2 Cleaning Rod extension with Brush
- 3 Barrel Swop
- 4 Long nose Plier
- 5 Cleaning Rod
- 6 6,5mm Pin Punch
- 7 Bolpin Hamer
- 8 Barrel Spanner
- 9 18oz Mallet (510g)
- 10 Oil Can
- 11 Flannelette
- 12 Operator Spares

TACTICAL APPLICATIONS

- Fire support for infantry and armour in attack and defence
- Protection of convoys
- Ambush of enemy troops and convoys
- Suppressive fire support for landing operations of assault forces
- Operation behind enemy lines
- Protection of harbour and naval facilities
- Protection of runways, anti-aircraft batteries and other airforce facilities
- Overhead firing at closer ranges in the high trajectory to give cover fire (45° - 60°)



Transport Case

Weapon and Sight Harness

Ammo Harness

Tripod, Cradle and Toolkit Harness

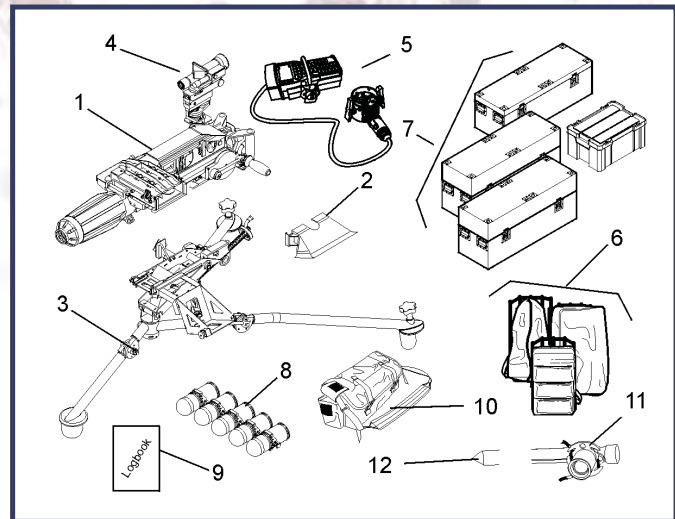
BASIC TECHNICAL DATA - average figures

Length (weapon)	844mm	Recoil force	5000N (average)
Width (weapon)	281mm	Feed	Left to right
Height (weapon)	267mm	Calibre	40 X 53mm
Mass (weapon)	32kg	Muzzle Velocity	242 m/sec
	(without box holder)	Maximum Range	2 200m
Cradle mass	(11kg)	Effective Range	2 200, drift adjusted,
Tripod with cradle mass	18kg	Elevation	-20° - +60°
Box Holder mass	3kg	Optional extra	Ladder type sight
Ammo Box	7,3kg with 20 rounds	Ammunition	A range of 40mm High Velocity grenades with improved case design: HE, PRAC and HEDP, practice tracer rounds compatible with other high velocity 40mm systems
Barrel Length	300mm		
Barrel Grooves	18 LANDS/GROOVES, 1/48 R.H.		
Operation	Long recoil		
Rate of fire	280 - 320 rounds/min maximum		

GENERAL SYSTEM DISCRIPTION

Legend

- 1 Weapon
- 2 Feed throat
- 3 Tripod
- 4 Direct sight
- 5 Indirect sight
- 6 Carrying harnesses
- 7 Cases and containers
- 8 Ammunition
- 9 Logbook
- 10 Toolkit bag
- 11 Aiming light
- 12 Aiming post



Instructional Media

- Workshop repair manual
- Illustrated parts catalogue
- Operators maintenance manual
- Maintenance instructors manual
- Maintenance students manual
- Flipcharts and transparencies
- Wall chart
- Cut away functional weapon
- Introductuional video
- Cut-away ammunition



VEKTOR