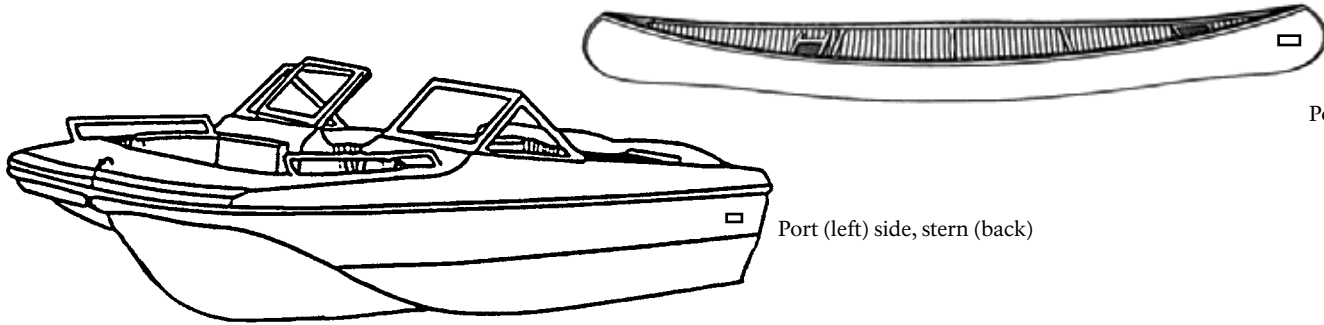




## Boating



Port (left) side, stern (back)

Port (left) side, stern (back)

### Permits

All privately owned vessels must be registered each year with Grand Teton National Park.

#### Permit Prices:

Motor boat season: \$40

Motor boat 7 day: \$20

Non-motorized boat season: \$20

Non-motorized boat 7 day: \$10

Purchase permits at the Craig Thomas Discovery and Visitor Center year-round, and at the Jenny Lake and Colter Bay Visitor Centers in summer. Non-motorized boat permits are available at the Buffalo Ranger Station during the summer as staffing allows.

The permit sticker must be placed on the port (left) side of the vessel, approximately one foot forward of the stern (back). State registration for motorized vessels is required prior to obtaining a park permit.

All federal and state boating regulations apply.

### Motorized Boats

Motor boats are allowed **only** on Jackson and Jenny Lakes. On Jenny Lake, the use of motors exceeding 10 horsepower is prohibited, except by authorized boating concessioners operating with authority of the Superintendent.

### Non-Motorized Boats

Human-powered vessels are permitted on Jackson, Jenny, Phelps, Emma Matilda, Two Ocean, Taggart, Bradley, Bearpaw, Leigh, and String Lakes, and on the Snake River 1,000 feet downstream of Jackson Lake Dam.

Only human-powered rubber rafts, canoes, dories and kayaks are allowed on the Snake River within the park and parkway.

All other waters within the park and parkway are closed to watercraft, including Pacific Creek, Buffalo Fork, Cottonwood Creek and Gros Ventre River.

### Equipment

#### Required

All vessels must meet U.S. Coast Guard (USCG) requirements including:

#### *Lifesaving Equipment*

All vessels must carry a USCG approved personal flotation device (PFD) of the appropriate size for each person on board. PFDs must be accessible and in good working condition. PFDs should be worn while boating. All passengers under 13 years old must wear a PFD whenever a vessel is underway or be within an enclosed cabin.

#### *Lights*

Every vessel must use navigation lights when underway from sunset to sunrise.

#### *Fire Extinguisher*

All motorboats must have at least the minimum number of portable fire extinguishers required by the USCG.

#### *Signaling Devices*

Motorboats must have an effective whistle or air horn for signaling.

#### **Suggested**

#### *Waste Receptacle*

All vessels should have a waste receptacle aboard. Dispose of trash in garbage cans or dumpsters. Draining, dumping, or discharging wastes or refuse, including human waste, into park or parkway waters is prohibited.

#### *Oars*

All boats shorter than 16 feet should be equipped with oars or paddles as a second means of propulsion.

#### *Bailing Bucket*

All boats should carry a bailing bucket in addition to bilge pumps and automatic bailers.

### Prohibited Operations

- Operating jet skis on park waters.
- Operating while under the influence of alcohol or drugs.
- Operating a vessel in excess of 5 mph or creating a wake in areas designated "No wake; speed 5 mph".
- Operating in a reckless or negligent manner, or in a manner that is likely to endanger any other person or property.
- Operating motorized craft within 100 feet of other watercraft, for example, approaching canoes closer than 100 feet.
- Operating while any person is riding on the gunwales, transom or on the decking over the bow while the vessel is underway.
- Operating a vessel that exceeds a noise level of 82 decibels measured at a distance of 82 feet.
- Carrying passengers for hire or performing any other commercial operation within the park or parkway without Superintendent's authorization.
- Operating within 500 feet of any designated swimming area, except within marked channels, where slow speed must be maintained.
- Operating a vessel within 100 feet of a diver's marker, downed skier or swimmer.
- Leaving any vessel unattended outside of designated mooring or beaching areas for more than 24 hours without prior written permission from the Superintendent. Any vessel so left may be impounded.
- Overnight mooring or beaching of boats on the shore of a designated harbor area, except in an emergency.

## Important Information



### Accidents

Report collisions, accidents, fires or other incidents that results in property loss, property damage, personal injury or death to a park ranger immediately. Each operator of involved vessels must report. This report does not relieve the responsibility of reporting boating accidents as may be required by the State and/or the U.S. Coast Guard. Any operator involved in an accident must also provide in writing his name, address and identification of his vessel to any injured person and/or to the owner of any damaged property.

### Aquatic Nuisance Species

Aquatic nuisance species are an increasing concern. Clean and dry boats, boots, and waders before entering a new body of water - and *never empty containers of bait, fish, plants, or animals into park waters*. Help protect park waterways and native fish by learning how you can prevent the spread of exotics.

### Motorized Boat Launching

Vessels transported by vehicle must be launched or removed from park waters at designated launch areas: Leek's Marina, Colter Bay boat ramp, Signal Mountain boat ramp, Jenny Lake boat ramp and Spalding Bay boat ramp. String Lake boat launch is restricted to non-motorized boats only.

### Camping

Lakeshore camping is permitted at designated numbered sites along Jackson and Leigh Lakes. Permits must be obtained at the Craig Thomas Discovery and Visitor Center, Colter Bay Visitor Center or Jenny Lake Ranger Station. Camping at numbered lakeshore sites on Jackson Lake is limited to 3 consecutive nights.

### Inspections

A park ranger may, at any time, stop or board any vessel to examine documents, licenses and permits relating to operation of the vessel and to inspect the vessel to determine compliance with boating and fishing regulations.

### Jet Skis & Personal Watercraft

Jet skis and personal watercraft are prohibited on all park waters.

### Minimum Age of Operation

Operators of motorized vessels must be at least 16 years of age or accompanied by an adult.

### Pets

Pets are permitted for day use only within boats on Jackson Lake. Overnight campers are not allowed to have pets in lakeshore campsites except at Spalding Bay. Pets are not allowed on the Snake River or on shore away from designated

launch areas on Jackson Lake.

### Permits for Picnic Fires

Picnic fires are permitted only on Jackson Lake below the high water line. Fires are not allowed along the east shore from Spalding Bay to Lizard Creek Campground. Permits must be obtained from the permits office at Craig Thomas Discovery and Visitor Center or Colter Bay Visitor Center. Extinguish your fire before leaving.

### Sailboats and Wind Surfers

Sailboats and windsurfers require boat permits and may only be used on Jackson Lake.

### Spalding Bay

Because of limited space, only single axle boat trailers are allowed at Spalding Bay. Trailer parking requires a special parking permit. Permits are available on a first-come, first-served basis and can be obtained 24 hours in advance from the permits office at Craig Thomas Discovery and Visitor Center or Colter Bay Visitor Center.

### Swimming

Swimming from vessels underway, from docks and inside marinas is prohibited.

### Water Skiing

- Towing skiers is allowed only from sunrise to sunset.
- There must be at least 2 persons in the vessel with the passenger in a position to observe the status of the person or persons being towed.
- Skiers must wear a U.S. Coast Guard approved flotation device.
- Water skiing is not allowed in channels or within 500 feet of harbors, swimming beaches or mooring areas or within 100 feet of any person swimming or diving.

### Traps and Nets

Possessing, carrying and/or using traps or nets is prohibited.

### Yellowstone Boat Permit Reciprocity

A Yellowstone boat permit will be honored in Grand Teton and the Rockefeller Parkway. Boaters are required to validate permits at Colter Bay, Jenny Lake, or Craig Thomas Discovery and Visitor Center prior to boating. Grand Teton boat permits are honored in Yellowstone. Boaters are required to validate permits at South Gate, Grant Village, Bridge Bay or Lake Ranger Station prior to boating.

## Boat Trailer Parking

| Location        | Day Parking  | Short-term parking (3-night limit)                                      | Long-term Parking   |
|-----------------|--|---|---|
| Leek's Marina   | upper lot  | upper lot   | none  |
| Colter Bay      | Colter Bay Village parking lot designated by striping and signed for boats/RVs | Colter Bay Visitor Center parking lot (east side; sign designates area) | Near Colter Bay Cabin office by GTLC permit with slip or mooring                  |
| Signal Mountain | boat ramp parking area   | Mid-lot parking area  | At the base of Signal Mt. Summit Road, on the north side, with Signal Mt. mooring |
| Spalding Bay    | designated areas, parking permit required                                      | none  | none  |

These parking areas are for trailer use only. No vessel may remain on the trailer while parked in these locations. **Please park in designated areas only**, illegally parked vehicles may be ticketed and/or towed.