



Software Product Description and QuickSpecs

PRODUCT NAME: VSI OpenVMS Version 8.4-2L1 for Integrity servers

DO-VIBHAE-008

This SPD and QuickSpecs describes the VSI OpenVMS Operating System software for the Integrity server computer families.

DESCRIPTION

OpenVMS is a general purpose, multiuser operating system that runs in both production and development environments. VSI OpenVMS Version 8.4-2L1 is the latest release of the OpenVMS computing environment by VMS Software, Inc (VSI).

OpenVMS software supports industry standards, facilitating application portability and interoperability. OpenVMS provides symmetric multiprocessing (SMP) support for multiprocessing systems.

The OpenVMS operating system can be tuned to perform well in a wide variety of environments. This includes combinations of compute-intensive, I/O-intensive, client/server, real-time, and other environments. Actual system performance depends on the type of computer, available physical memory, and the number and type of active disk and tape drives.

The OpenVMS operating system has well-integrated networking, distributed computing, client/server, windowing, multi-processing, and authentication capabilities. It contains extensive features that promote ease-of-use, improve the productivity of programmers, facilitate system management, and provide effective operating system security.

For information about the OpenVMS Version 8.4-2L1 new features, see the *VSI OpenVMS Version 8.4-2L1 Cover Letter and Release Notes* document at: <http://www.vmssoftware.com>

USER ENVIRONMENT

Users can access the OpenVMS software by using the English-like DIGITAL Command Language (DCL), the command language for OpenVMS that is supplied with the system. DCL commands provide information about the system and initiate system utilities and user programs. DCL commands take the form of a command name followed by parameters and qualifiers.

Users can enter DCL commands at a terminal or include them in command procedures. These command procedures can be run interactively or submitted to a batch queue for later processing. Information about DCL and OpenVMS utilities is available on line through the OpenVMS Help system.

For users who are familiar with the UNIX shell and utilities, an open source port of GNV is available. GNV implements a UNIX environment on OpenVMS and includes an Implementation of the UNIX shell BASH (Bourne Again Shell) and many UNIX-shell utilities.

The following tools and utilities are integrated into the OpenVMS operating system.

Text Processing

The Extensible Versatile Editor (EVE) is the default editor for OpenVMS. EVE allows users to insert, change, and delete text quickly. EVE is a full-screen editor that allows users to scroll through text on a terminal screen. EVE provides an EDT-style keypad, allowing EDT users to move easily to EVE.

Mail Utility

The Mail utility allows users to send messages to any other user on the system. Multinode operation is available if a DECnet or TCP/IP product is installed and licensed on each participating node on the network.

Command-Level Programming

Command-level programming allows users to create special files, called command procedures that contain a series of DCL commands. When users execute a command procedure, the system processes the commands in the command procedure consecutively.

User Environment Tailoring

Users can customize the computing environment with login command procedures, shorthand commands, binding of commands to function keys, command recall and editing, and process logical names.

PROGRAM DEVELOPMENT ENVIRONMENT

OpenVMS includes a comprehensive set of tools for developing programs, including: run-time libraries (RTLs), system service routines, a linker, a librarian, and a symbolic debugger.

The following tools are available to the OpenVMS programmer.

Language and Run-Time Library Support

OpenVMS includes several RTLs that provide:

- String manipulation
- Parallel processing support
- I/O routines
- I/O conversion
- Terminal-independent screen handling
- Date and time formatting routines
- Highly accurate mathematical functions
- Signaling and condition handling
- Other general-purpose functions

With OpenVMS for Integrity servers, these routines can be called from programs written in such languages as MACRO-32, BASIC, C, C++, COBOL, FORTRAN, and Pascal.

OpenVMS includes language-support libraries for extending language functionality on OpenVMS. While each language is different, all provide support for sequential file I/O, and most support direct and indexed file I/O. Language RTLs also provide support for I/O formatting, error handling, and in Fortran, the ability to read unformatted files that contain data from other vendors. RTLs are provided to support translated images created from user-mode images built on OpenVMS Alpha Version 6.1 through Version 7.3-2.

Calling Standard

All OpenVMS programming languages adhere to the common calling standard. This means that routines written in any of these languages can directly call routines written in any other language. Development of applications using multiple languages is simple and straightforward.

All user-accessible routines in the RTLs follow the appropriate platform calling standard and condition-handling conventions, and most are contained within shareable images.

System services provide access to basic operating system functions and interprocess communications as well as various control resources. Programs can call system services routines directly for security, event flag, asynchronous system trap, logical name, record and file I/O, process control, timer, time conversion, condition handling, lock management, and memory management. System services use the appropriate platform calling standard and condition-handling conventions. OpenVMS supports the execution of user-mode images created on earlier versions of OpenVMS. Typically, recompiling and relinking are not required.

MACRO Compiler

With minor modifications, VAX MACRO-32 sources can be compiled for execution on Alpha or Integrity servers.

POSIX Threads Library

OpenVMS includes a user-mode, multithreading capability called POSIX Threads Library, which provides a POSIX 1003.1-1996 standard style threads interface. Additionally, the library provides an interface that is the OpenVMS implementation of Distributed Computing Environment (DCE) threads as defined by The Open Group.

POSIX Threads Library consists of run-time routines that allow the user to create multiple threads of execution within a single address space. With POSIX Threads Library Kernel Threads features enabled, POSIX Threads Library provides for concurrent processing across all CPUs by allowing a multithreaded application to have a thread executing on every CPU (on both symmetric and asymmetric multiprocessor systems). Multithreading allows computation activity to overlap I/O activity. Synchronization elements, such as mutexes and condition variables, are provided to help ensure that shared resources are accessed correctly. For scheduling and prioritizing threads, POSIX Threads Library provides multiple scheduling policies. For debugging multithreaded applications, POSIX Threads Library is supported by the OpenVMS Debugger. POSIX Threads Library also provides Thread Independent Services (TIS), which assist in the development of thread-safe APIs.

Librarian Utility

The Librarian utility permits storage of object modules, image files, macros, help files, text files, or any general record-oriented information in central, easily accessible files. Object module and image file libraries are searched by the linker when the linker finds a reference it cannot resolve in one of its input files. Macro libraries are searched by MACRO-32 and MACRO-64 when either finds a macro name that is not defined in the input file.

Hypersort

Hypersort is a portable library of user-callable routines that provide a high performance sorting capability for Alpha and Integrity servers.

Traceback Facility

The Traceback facility is a debugging tool that provides symbolic information about call stack PCs. When an application is compiled and linked with traceback information, the Traceback facility translates stack frame addresses into routine names and line numbers and displays a symbolic traceback whenever a runtime error occurs in that application.

Debugger

The OpenVMS Debugger allows users to trace program execution, as well as display and modify register contents using the same symbols that are present in the source code. The debugger contains a heap analyzer feature that displays a graphic view of memory allocations and deallocations in real time.

System Code Debugger

The OpenVMS System Code Debugger is a kernel code debugger. It allows a system code developer to trace the execution of nonpageable system code at any interrupt priority level (IPL). Based on the OpenVMS Debugger, the System Code Debugger uses the same interface and most of the same command set.

System Dump Analyzer (SDA) Utility

In the event of a system failure, OpenVMS writes the contents of memory to a preallocated dump file. This dump file can later be analyzed using System Dump Analyzer (SDA). System dumps can either be full memory dumps, where all memory is written, or selective memory dumps, where only portions of memory in use at the time of the system failure are written. The dump file can be located on any locally connected disk. On Integrity servers, dump

compression allows both full and selective dumps to be written to smaller files than required for uncompressed dumps. Full memory dumps, if not compressed, require a dump file big enough to hold all memory. Selective memory dumps write as much of the memory in use at the time of the system failure that will fit into the dump file.

Spinlock Tracing Utility

The Spinlock Tracing Utility provides a mechanism to characterize spinlock usage and collect performance data for a given spinlock on a per-CPU basis. It can identify which spinlock is heavily used and what process is acquiring and releasing spinlocks.

Process Dumps

When an application fails, a copy of its registers and memory can be written to a data file, which can be examined using the ANALYZE PROCESS utility. This utility uses the same interface and commands as the OpenVMS Debugger to allow registers and memory to be examined. On Alpha or Integrity servers, another process can initiate the writing of the memory dump.

RMS File Utilities

Record Management Services (RMS) file utilities allow users to analyze the internal structure of an RMS file and tune the I/O, memory, space and performance parameters of the file. The RMS file utilities can also be used to create, load, and reclaim space in an RMS file. For more information about RMS, see the Operating System Environment section of this SPD.

File Differences Utility

This utility compares the contents of two files and lists those records that do not match.

Translated Image Environment (TIE) (Integrity servers)

OpenVMS for Integrity servers provides an array of services that allow the operation of programs which have undergone binary translation from OpenVMS Alpha images or VESTed OpenVMS VAX images. These programs perform virtually all user-mode functions on OpenVMS for Integrity servers and operate in combination with other programs (images) that have been translated from OpenVMS Alpha or VAX, or have been built using native compilers on OpenVMS for Integrity servers. Without requiring special source code, the TIE resolves differences between the Alpha and Integrity architectures, including floating point.

Note: Binary translation is a means of moving complex software application executable images, where source code is not available, from one architecture and operating system to another architecture and operating system.

SYSTEM MANAGEMENT ENVIRONMENT

OpenVMS provides a set of tools and utilities that aid the system manager in configuring and maintaining an optimal system as follows:

Web-Based Enterprise Management Services for OpenVMS

Web-Based Enterprise Management (WBEM) Services for OpenVMS is an industry standard for monitoring and controlling resources. It is available and installed automatically with OpenVMS on Integrity server systems. WBEM providers on BL860c and BL870c blade servers can manage and monitor them by communicating with HPE SIM management agents. For server blade support, "Providers" are included that enable the monitoring of hardware and the operating system, including:

- Operating system
- Computer system
- Process and processor statistics
- Indication (monitors events)
- Firmware version
- Fan and power supply
- Management Processor
- CPU instance
- Memory instance
- Enclosure

VSI Availability Manager

VSI Availability Manager is a system management tool that enables you to monitor one or more OpenVMS nodes on an extended local area network (LAN) from either an OpenVMS Alpha system, or an OpenVMS for Integrity server system, or a PC running Windows. This tool helps system managers and analysts target a specific node or process for detailed analysis and also can resolve certain performance or resource problems. It is the multiplatform replacement for the DECamsds product and includes the DECamsds functionality in its capabilities.

Availability Manager has a wide-area capability whereby any system on the network supporting Availability Manager can be managed from a central console. Moreover, Availability Manager is enhanced to support Cluster over IP to manage and monitor LAN or IP path data, and IP interface for cluster communication.

The Data Collector, part of the Availability Manager product, collects system and process data on an OpenVMS node and should be installed on each node that you need to monitor (Alpha and Integrity servers).

The Data Analyzer analyzes and displays the data collected by the Data Collector, and can analyze and display data from many OpenVMS nodes simultaneously (OpenVMS Alpha nodes, and PCs running 64-bit Windows).

Hardware recommendations and related documentation are available in the *Availability Manager Installation Guide*.

Management Agents for OpenVMS

HPE Systems Insight Manager (HPE SIM) is the foundation for HPE's unified infrastructure management strategy. It provides hardware level management for all HPE storage products and servers, including OpenVMS for Integrity servers. With Management Agents installed on an OpenVMS system, that system can be managed using HPE SIM as the single management console providing fault monitoring, configuration management, and event alarms. Additional information can be found in the *Management Agents for OpenVMS Software Product Description* (SPD DO-VIBHAB-005).

Performance Data Collector

Performance data for an Integrity server system can be gathered using the Performance Data Collector (TDC). By default, TDC periodically collects and stores data in a file that can be retrieved by user applications. A TDC Software Developers Kit (SDK) supports integration of TDC with new or existing applications and allows processing of "live" data as well as data read from files. TDC runtime software is installed with OpenVMS.

Performance Data Collector runtime software (TDC_RT Version 2.2) is installed with OpenVMS Version 8.4-2L1.

Additional information can be found in the *VSI TDC-RT Software Product Description* (SPD DO-VIBHAB-005).

MONITOR Utility

The Monitor utility (MONITOR) is a system management tool used to obtain information about operating system performance.

MONITOR allows you to monitor classes of system-wide performance data (such as system I/O statistics, page management statistics, and time spent in each of the processor modes) at specifiable intervals, and produce several types of output.

The MONITOR utility gets data that is sampled by OpenVMS approximately every millisecond. Since MONITOR and other measuring tools get data by sampling, the accuracy of the data may be affected for an application, which changes states at a rate close to the sampling interval. For example, you might see inaccurate CPU use reporting for an application that sleeps most of the time, but wakes up momentarily every millisecond.

Class Scheduler for CPU Scheduling

The Class Scheduler is a SYSMAN-based interface for defining and controlling scheduling classes for OpenVMS systems that allows you to designate the percentage of CPU time that a system's user may receive by placing users into scheduling classes.

Batch and Print Queuing System

OpenVMS provides an extensive batch and print capability that allows the creation of queues and the setup of spooled devices to process non-interactive workloads in parallel with timesharing or real-time jobs.

The OpenVMS batch and print operations support two types of queues: generic queues and execution queues. A generic queue is an intermediate queue that holds a job until an appropriate execution queue becomes available to initiate the job. An execution queue is a queue through which the job (either print or batch) is actually processed. Because multiple execution queues can be associated with a generic queue, OpenVMS enables load balancing across available systems in an OpenVMS Cluster system, increasing overall system throughput.

Print queues, both generic and execution, together with queue management facilities, provide versatile print capabilities, including support for various print file formats.

Accounting Utility

For accounting purposes, OpenVMS keeps records of system resource usage. Statistics include processor and memory utilization, I/O counts, print symbiont line counts, image activation counts, and process termination records. The OpenVMS Accounting utility allows you to generate reports using this data, in order to learn more about how the system is used and how it performs.

Audit Analysis Utility

For security auditing purposes, OpenVMS selectively records critical, security-relevant events in the system security audit log file. These records contain the date and time the event occurred, the identity of the associated user process, and information specific to each event type. This information helps the system manager maintain system security and deter possible intruders. The OpenVMS Audit Analysis utility allows you to generate various reports from this data.

Autoconfigure and AUTOGEN Utilities

The Autoconfigure and AUTOGEN utilities automatically configure the available devices in the system tables and set system parameters based on the peripheral and memory architecture. This eliminates the need for a traditional system generation process when the hardware configuration is expanded or otherwise modified.

The OpenVMS AUTOGEN command procedure sets several system parameters automatically by detecting the devices installed in a configuration. A feedback option allows you to generate a report of recommended parameter settings based on previous usage patterns.

Backup Utility

The Backup utility provides both full-volume and incremental file backups for file-structured, mounted volumes and volume sets. Individual files, selected directory structures, or all files on a volume set can be backed up and restored. Files can be selected by various dates (such as creation or modification) and can be backed up to magnetic tape, magnetic disk, or Write Once Read Many (WORM) optical disk. The Backup utility can also be used to restore a saveset or list the contents of a saveset.

The Backup utility has been extended to support volume up to 2 TB. Backup utility has also been enhanced to create and restore a compressed save set. The compressed save set can be created on disks and magnetic tapes. The compression ratio depends on the data content in the files.

A Backup API is included for invoking backup routines from an executable procedure.

The Backup Manager for OpenVMS provides a screen-oriented interface to the Backup utility that assists users in performing routine backup operations. The Backup Manager is menu driven and provides:

- Access to the save, restore, and list operations without having to understand Backup command syntax
- The ability to create, modify, recall, and delete Backup Manager templates that describe the Backup save operations

Recordable CD and DVD

On Integrity server systems, OpenVMS provides the capability to record locally mastered disk volumes or disk image files onto a CD-R, CD-RW, DVD+R, or DVD+RW optical-media recording device on specific drives and configurations. On supported Alpha systems and supported Integrity server systems that ship with writable CD devices (CD-RW), OpenVMS provides the capability to write once to CD-R media using an application shipping in the base operating system. For application details, please refer to the OpenVMS documentation set.

Analyze Disk Structure Utility

The Analyze Disk Structure utility compares the structure information on a disk volume with the contents of the disk, prints the structure information, and permits changes to that information. It can also be used to repair errors detected in the file structure of disks.

License Management Facility (LMF)

The License Management Facility allows the system manager to enable software licenses and to determine which software products are licensed on an OpenVMS system.

System Management Utility (SYSMAN)

The System Management utility allows system managers to define a management environment in which operations performed from the local OpenVMS system can be executed on all other OpenVMS systems in the environment or cluster. This allows multiple OpenVMS systems to be managed as easily as a single system.

SECURITY

OpenVMS provides a rich set of tools to control user access to system-controlled data structures and devices that store information. OpenVMS employs a reference monitor concept that mediates all access attempts between subjects (such as user processes) and security-relevant system objects (such as files). OpenVMS also provides a system security audit log file that records the results of all object access attempts. The audit log can also be used to capture information regarding a wide variety of other security-relevant events.

User account information, privileges and quotas associated with each user account is maintained in the system user authorization file (SYSUAF). Each user account is assigned a user name, password, and unique user identification code (UIC). To log in and gain access to the system, the user must supply a valid user name and password. The password is encoded and does not appear on terminal displays.

Users can change their password voluntarily, or the system manager can specify how frequently passwords change, along with minimum password length, password history policy, and the use of randomly generated passwords.

VSI OpenVMS Integrity includes Enhanced Password Management software, provided in response to requests from customers for the capability to implement additional United States Department of Defense (DoD) password requirements. This provides system managers and security administrators with additional assistance in defining and implementing a site-wide password policy using a password policy module. It is now possible to define a password policy module that can control the following additional password characteristics:

- The minimum number of upper-case characters in a password
- The minimum number of lower-case characters in a password
- The minimum number of special characters in a password
- The minimum number of numbers in a password
- The minimum number of categories that must be included in a password (categories include upper-case characters, lower-case characters, special characters, and numbers)
- The minimum percentage by which a password must be changed

The following new functionality is included in the VSI OpenVMS Enhanced Password Management software:

- In SYS\$EXAMPLES:VMS\$PASSWORD_POLICY.C implementers will find a new, easily useable out-of-the-box example of a password policy. The executable image SYS\$EXAMPLES:VMS\$PASSWORD_POLICY.EXE is written in C and is provided for use as-is, making the password policy more accessible to more implementers.
- A new password generator provides mixed-character passwords. If a password policy is implemented, the mixed-character generator will generate passwords that meet the policy.

- System managers and security administrators can use the new command procedure, `SYSS$MANAGER:VMS$DEFINE_PASSWORD_POLICY.COM`, to configure a custom password policy. This command procedure will give these users the ability to define password-relevant system parameters, account settings, and password policy options, all in one place.
- A new optional `policy_changes` routine provides the ability to verify the amount of change between the previous password and the current proposed password.

Operations

OpenVMS allows for varying levels of privilege to be assigned to different operators. Operators can use the OpenVMS Help Message utility to receive online descriptions of error messages. In addition, system-generated messages can be routed to different terminals based on their interest to the console operators, tape librarians, security administrators, and system managers.

Security auditing is provided for the selective recording of security-related events. This auditing information can be directed to security operator terminals (alarms) or to the system security audit log file (audits). Each audit record contains the date and time of the event, the identity of the associated user process, and additional information specific to each event.

OpenVMS provides security auditing for the following events:

- Login and logout
- Login failures and break-in attempts
- Object creation, access, deaccess, and deletion; selectable by use of privilege, type of access, and on individual objects
- Authorization database changes
- Network logical link connections for DECnet for OpenVMS, DECnet-Plus, DECwindows, IPC, and SYSMAN
- Use of identifiers or privileges
- Installed image additions, deletions, and replacements
- Volume mounts and dismounts
- Use of the Network Control Program (NCP) utility
- Use or failed use of individual privileges
- Use of individual process control system services
- System parameter changes
- System time changes and recalibrations

Every security-relevant system object is labeled with the UIC of its owner along with a simple protection mask. The owner UIC consists of two fields: the user field and a group field. System objects also have a protection mask that allows read, write, execute, and delete access to the object's owner, group, privileged system users, and to all other users. The system manager can protect system objects with access control lists (ACLs) that allow access to be granted or denied to a list of individual users, groups, or identifiers. ACLs can also be used to audit access attempts to critical system objects.

OpenVMS applies full protection to the following system objects:

- Common event flag clusters
- Devices
- Files
- Group global sections

- Logical name tables
- Batch/print queues
- Resource domains
- Security classes
- System global sections
- ODS-2 volumes
- ODS-5 volumes

OpenVMS provides optional security solutions to protect your information and communications:

- OpenVMS includes encryption for data confidentiality that ships as part of the operating system, thereby removing the requirement to license and install Encrypt separately. The ENCRYPT and DECRYPT commands, part of OpenVMS, support AES file encryption with 128, 192, or 256 bit keys. AES encryption is also supported by BACKUP/ENCRYPT, allowing for the creation of encrypted tapes and savesets. The built-in encryption functionality is backward-compatible with file and backup tapes created by the former layered product Encryption for OpenVMS. This layered product featured 56-bit Data Encryption Standard (DES), which continues to function today, allowing for the decryption of archived DES encrypted data. The AES encryption functionality supports Electronic Code Book (ECB) and Cipher Block Chaining (CBC) block modes of encryption. The Cipher Feedback (CFB) and Output Feedback (OFB) 8-bit character stream modes are also supported from the command line as well as by the programmatic APIs.
- Secure Sockets Layer1 (SSL1) for OpenVMS Integrity server systems provides secure transfer of sensitive information over the Internet
- TCP/IP allows use of an RSA host key that enables secure connectivity with newer SSH client implementations without requiring reconfiguration of the client to support the older, less-secure DSA host key types.
- Common Data Security Architecture (CDSA) is configured and initialized automatically during installation and upgrades and is required for Secure Delivery purposes and other security features. If you install a newer version of CDSA without upgrading the base operating system, you must initialize the CDSA software, using the following command. Enter the command from an account that has both SYSPRV and CMKRNL privileges (for example, the SYSTEM account). \$ @SYS\$STARTUP:CDSA\$UPGRADE
- Kerberos for OpenVMS
- Per-Thread Security Profiles
- External Authentication
- Global and Local Mapping of LDAP users
- VSI Code Signing for OpenVMS: OpenVMS kits will be signed using VSI Code Signing Service (CSS)

Note: Users who are externally authenticated by their LAN Manager need only remember a single user name/password combination to gain access to their OpenVMS and LAN Manager accounts.

Note: Because no system can provide complete security, VSI cannot guarantee complete system security. However, VSI continues to enhance the security capabilities of its products. Customers are strongly advised to follow all industry-recognized security practices. OpenVMS recommended procedures are included in the *OpenVMS Guide to System Security*.

OPERATING SYSTEM ENVIRONMENT

Processes and Scheduling

Executable images consist of system programs and user programs that have been compiled and linked. These images run in the context of a process on OpenVMS systems. Sixty four process priorities are recognized on OpenVMS for Integrity servers. Priorities 0 to 15 are for time-sharing processes and applications (four is the typical default for timesharing processes). Priorities 16 to 63 on Integrity servers are for real-time processes. Real-time processes can be assigned higher priorities to ensure that they receive processor time whenever they are ready to execute.

OpenVMS uses paging and swapping to provide sufficient virtual memory for concurrently executing processes. Paging and swapping is also provided for processes whose memory requirements exceed available physical memory.

64-Bit Virtual Addressing

The OpenVMS for Integrity servers operating system provides support for 64-bit virtual memory addressing. This capability makes the 8 TB virtual address space available to the OpenVMS Alpha and OpenVMS for Integrity servers operating systems and to application programs. Future hardware implementations for Integrity servers will provide greater capacity. OpenVMS applications can take advantage of 64-bit processing by using 64-bit data types supported by the compilers. For further details, see the SPDs for the OpenVMS compilers.

Very Large Memory (VLM) Features

OpenVMS for Integrity servers provides the following additional memory management VLM features beyond those provided by 64-bit virtual addressing. These features can be used by database servers to keep large amounts of data in memory, resulting in dramatically increased runtime performance. The VLM features provided by OpenVMS for Integrity servers are:

- Memory-resident global sections
- Fast I/O for global sections
- Shared page tables
- Expandable global page table
- Reserved memory registry

DECdtm Services

The DECdtm services embedded in the OpenVMS operating system support fully distributed databases using a two-phase commit protocol. The DECdtm services provide the technology and features for distributed processing, ensuring both transaction and database integrity across multiple resource managers. Updates to distributed databases occur as a single all-or-nothing unit of work, regardless of where the data physically resides. This ensures the consistency of distributed data.

DECdtm services allow applications to define global transactions that can include calls to any number of VSI data management products. Regardless of the mix of data management products used, the global transaction either commits or aborts. OpenVMS is unique in providing transaction-processing functionality with base operating system services.

DECdtm features include:

- Embedded OpenVMS system services that support the DECTp architecture, providing the features and technology for distributed transaction processing.
- Ability for multiple disjoint resources to be updated automatically. These resources can be either physically disjointed on different clusters at separate sites, or logically disjointed in different databases on the same node.
- Ability to use the X/Open Distributed Transaction Processing XA interface that enables the DECdtm transaction manager to coordinate XA-compliant resource managers (the VSI DECdtm XA Veneer), and XA-compliant transaction processing systems to coordinate DECdtm-compliant resource managers (the DECdtm XA Gateway).
- Robust application development. Applications can be written to ensure that data is never in an inconsistent state, even in the event of system failures.
- Ability to be called using any VSI TP monitor or database product. This is useful for applications using several VSI database products.

Interprocess Communication

OpenVMS provides the following facilities for applications that consist of multiple cooperating processes:

- Mailboxes as virtual devices that allow processes to communicate with queued messages.

- Shared memory sections on a single processor or an SMP system that permit multiple processes to access shared address space concurrently.
- Common event flags that provide simple synchronization.
- A lock manager that provides a more comprehensive enqueue/dequeue facility with multilevel locks, values, and asynchronous system traps (ASTs).
- Intracluster communication services through which two processes running on the same system or on different OpenVMS Cluster nodes can establish a connection and exchange data.
- Logical names through which one process can pass information to other processes running on the same system or on different OpenVMS Cluster nodes.
- Network interprocess communication is available via TCP/IP Services and DECnet-Plus (product licenses are required).

Symmetric Multiprocessing (SMP)

OpenVMS provides symmetric multiprocessing (SMP) support for Integrity servers multiprocessor systems. SMP is a form of tightly coupled multiprocessing in which all processors perform operations simultaneously. All processors perform operations in all OpenVMS access modes, user, supervisor, executive, and kernel.

OpenVMS SMP configurations consist of multiple CPUs executing code from a single shared memory address space. Users and processes share a single copy of OpenVMS for Integrity servers address space. SMP also provides simultaneous shared access to common data in global sections to all processors. OpenVMS SMP selects the CPU where a process will run based on its priority and in special cases as directed by the application. OpenVMS uses a specialized scheduling algorithm when running a non-uniform memory access (NUMA) platform.

SMP support is an integral part of OpenVMS and is provided to the user transparently. Because an SMP system is a single system entity, it is configured into a network and OpenVMS Cluster configurations as a single node.

VSI OpenVMS V8.4-2L1 supports a maximum of 64 cores in an instance of the operating system.

Networking Facilities

OpenVMS provides device drivers for all HPE local area network (LAN) adapters listed in the LAN Options section of Appendix A of this SPD. Application programmers can use the QIO system service to communicate with other systems connected via the LAN using either

Ethernet or Institute of Electrical and Electronics Engineers (IEEE) 802.3 packet format. Simultaneous use of VSI Ethernet and the IEEE 802.3 protocols are supported on any HPE LAN adapter.

OpenVMS for Integrity servers supports Ethernet only.

OpenVMS supports the following networking products:

- VSI TCP/IP Services for OpenVMS, the industry-standard set of protocols for interoperating between different operating systems
- VSI DECnet-Plus
- DECnet Phase IV

These networking products are described in this SPD under Associated Products.

Terminal Server Products

Terminal server products provide network access to OpenVMS from terminal (serial) based devices. When used in an OpenVMS Cluster environment, terminal servers distribute users across the available Integrity server systems at login time.

OpenVMS can also establish a connection to other devices such as printers or other serially attached devices attached to such terminal servers.

Universal Serial Bus Support

OpenVMS supports the Universal Serial Bus (USB) technology. Support for the USB interconnect enables OpenVMS systems to connect to multiple supported USB devices using a single USB cable. OpenVMS supports one USB keyboard and mouse on systems that are supported by OpenVMS and have USB hardware and a graphics controllers.

OpenVMS Integrity servers serial support is provided through the USB serial multiplexer (MUX). OpenVMS supports several generic chipsets which allow third-party USB-based serial multiplexers to connect to OpenVMS systems for RS232 serial lines, traditional terminal connections, and low-speed system-to-system connectivity.

OpenVMS provides a USB configuration tool called UCM that can be used to track USB configuration changes like plug and unplug events. UCM can also be used to restrict the automatic addition of specific devices and classes of devices. The UCM event log is used by VSI to help diagnose problems with USB devices.

Integrity Server Systems

OpenVMS supports USB low-, full-, and high-speed devices for all supported OpenVMS Integrity systems. USB DVD support includes both reading and burning DVDs on the following supported Integrity server systems: rx2660, rx2800i2, rx2800i4, rx2800i6, rx3600, rx6600.

Reliability

OpenVMS handles hardware errors as transparently as possible while maintaining data integrity and providing sufficient information to diagnose errors. The system limits the effects of an error by first determining if the error is fatal. If the error occurs in system context, the current OpenVMS system shuts down. If the error is not fatal, the system recovers actions pertinent to the error and continues the current operation.

In all cases, information relevant to the error is written to the error log file for later analysis. Hardware errors include the following categories:

- **CPU Component Indictment** on Integrity servers.
- **Processor errors.** These include processor soft errors, processor hard errors, processor machine checks, and adapter errors.
- **Memory errors.** These can be unrecoverable (hard) errors or recoverable (soft) errors. The system examines memory at startup time and does not use any bad pages. During system operation, the system corrects all single-bit memory errors for those systems with error correction code (ECC) memory.
- **Correctible memory errors.** A primary cause of these correctible memory errors is alpha particle radiation. On some processors, when correctible memory errors occur, the memory controller corrects only the data returned to the CPU or I/O controller. The actual data in memory is left with the error intact. Subsequent read operations cause correction cycles to occur and, in most cases, an interrupt to report the error. On many of these processors, OpenVMS monitors the occurrence of correctible memory errors and, in almost all cases, is able to remove the error condition by rewriting the data in memory. Rewriting the data causes the data to be corrected in that memory location.

Other failures include:

- Operating system errors (system-detected inconsistencies or architectural errors in system context)
- User errors
- I/O errors

The system logs all processor errors, all operating system errors detected through internal consistency checks, all double-bit memory errors (and a summary of corrected single-bit memory errors), and most I/O errors.

If the system is shut down because of an unrecoverable hardware or software error, a dump of physical memory is written. The dump includes the contents of the processor registers. The OpenVMS System Dump Analyzer (SDA) utility is provided for analysis of memory dumps.

OpenVMS supports CPU Component Indictment, also called Dynamic Processor Resilience (DPR). When certain error conditions persist a CPU will be stopped and no longer used by the running system. Use of this feature is controlled by the System Manager via `SYS$MANAGER:SYS$INDICTMENT_POLICY.COM`.

Input/Output

The QIO system service and other related I/O services provide a direct interface to the operating system's I/O routines. These services are available from within most OpenVMS programming languages and can be used to perform low-level I/O operations efficiently with a minimal amount of system overhead for time-critical applications.

Device drivers execute I/O instructions to transfer data to and from a device and to communicate directly with an I/O device. Each type of I/O device requires its own driver. VSI supplies drivers for all devices supported by the OpenVMS operating system and provides QIO system service routines to access the special features available in many of these devices.

OpenVMS supports a variety of disk and tape peripheral devices, as well as terminals, networks, and mailboxes (virtual devices for inter-process communication), and more general I/O devices.

I/O Performance Features

Fast I/O provides a suite of additional system services that applications can use to improve I/O throughput. The fast I/O services minimize the CPU resources required to perform I/O.

Fast Path provides a streamlined mainline code path through the I/O subsystem to improve both uniprocessor and multiprocessor I/O performance. On multiprocessor systems, Fast Path allows all CPU processing for specific I/O adapters to be handled by a specific CPU. This can significantly lower the demands on the primary CPU and increase the I/O throughput on multiprocessor systems with multiple I/O ports. No user application changes are needed to take advantage of Fast Path. Fast Path can be utilized by the \$QIO system service or the Fast I/O services.

Extended File Cache (XFC)

The Extended File Cache (XFC) is a virtual block data cache provided with OpenVMS for Integrity servers. Similar to the Virtual I/O Cache, the XFC is a clusterwide, file system data cache. Both file system data caches are compatible and coexist in the OpenVMS Cluster.

The XFC improves I/O performance with the following features that are not available with the virtual I/O cache:

- Read-ahead caching
- Automatic resizing of the cache
- Larger maximum cache size
- No limit on the number of closed files that can be cached
- Control over the maximum size of I/O that can be cached
- Control over whether cache memory is static or dynamic

XFC caching attributes of volume can be dynamically modified eliminating the need to dismount the volume.

Record Management Services (RMS)

RMS is a set of I/O services that helps application programs to process and manage files and records. Although it is intended to provide a comprehensive software interface to mass storage devices, RMS also supports device-independent access to unit-record devices.

RMS supports sequential, relative, and indexed file organizations in fixed-length or variable-length record formats. RMS also supports byte stream formats for sequential file organization.

RMS record access modes provide access to records in four ways:

- Sequentially
- Directly by key value
- Directly by relative record number
- Directly by record file address

RMS also supports block I/O operations for various performance-critical applications that require user-defined file organizations and record formats.

RMS promotes safe and efficient file sharing by providing multiple file access modes and automatic record locking (where applicable). RMS offers the options of enabling global buffers for buffer sharing by multiple processes.

RMS utilities aid file creation and record maintenance. These utilities convert files from one organization and format to another; restructure indexed files for storage and access efficiency; and reclaim data structures within indexed files. These utilities also generate appropriate reports.

For systems that have DECnet or DECnet-Plus installed, RMS provides a subset of file and record management services to remote network nodes. Remote file operations are generally transparent to user programs.

Commands such as EDIT, CREATE, COPY, TYPE, and PRINT allow users to manipulate RMS records within RMS files at the DCL command level.

Disk and Tape Volumes

The system manager can organize disk volumes into volume sets. Volume sets can contain a mix of disk device types and can be extended by adding volumes. Within a volume set, files of any organization type can span multiple volumes. Files can be allocated to the set as a whole (the default) or to specific volumes within the set. Optionally, the system manager can allocate portions of indexed files to specific areas of a single disk or to specific volumes in a volume set.

The system manager can place quotas on a disk to control the amount of space individual users can allocate. Quota assignment is made by UIC and can be controlled for each individual volume set in the system (or for each individual volume if the volume is not part of a set).

The system manager can cache disk structure information in memory to reduce the I/O overhead required for file management services. Although not required to do so, users can preallocate space and control automatic allocation. For example, a file can be extended by a given number of blocks, contiguously or noncontiguously, for optimal file system performance.

The system applies software validity checks and checksums to critical disk structure information. If a disk is improperly dismounted because of user error or system failure, the system rebuilds the disk's structure information automatically the next time the disk is mounted. The system detects bad blocks and prevents their reuse once the files to which the blocks were allocated are deleted. On DIGITAL Storage Architecture (DSA) disks, the disk controller detects and replaces bad blocks automatically.

The system provides 255 levels of named directories and subdirectories whose contents are alphabetically ordered. Device and file specifications follow VSI conventions. Users can use logical names to abbreviate the specifications and to make application programs device and file name independent. Users can assign a logical name to an entire specification, to a portion of a specification, or to another logical name.

OpenVMS supports multivolume magnetic tape files with transparent volume switching. Access positioning is done either by file name or by relative file position.

APPLICATION MODERNIZATION AND INTEGRATION TECHNOLOGIES

VSI OpenVMS Application Modernization and Integration Infrastructure products provide key Internet, e-business, and integration software technologies that enhance the OpenVMS for Integrity operating system and enable the development of e-business and enterprise integration solutions. These technologies are bundled with the OpenVMS for Integrity operating system. Several components are bound by an open source software license. The following components are included in the Base Operating Environment (BOE) for OpenVMS:

- VSI Extensible Markup Language (XML) Technology
- Universal Description, Discovery, and Integration (UDDI) Client Toolkit
- Web Services Integration Toolkit (WSIT)
- VSI OpenVMS Enterprise Directory (LDAP/X.500)

The VSI Reliable Transaction Router (RTR) Backend for OpenVMS Integrity is included in the High Availability Operating Environment (HA-OE) for OpenVMS Integrity servers.

ASSOCIATED PRODUCTS

Products in this section might be licensed separately from the OpenVMS Operating System.

VSI OpenVMS Cluster Software

VSI OpenVMS Cluster software is available for Integrity server systems, both as a separately licensed layered product and within the High Availability Operating Environment (HAOE) package. It provides a highly integrated OpenVMS computing environment that is distributed over multiple systems, separated in distance measured from feet up to 500 miles, containing up to 96 nodes.

OpenVMS Cluster systems and storage communicate using a combination of the following interconnects:

- Ethernet
- Small Computer Systems Interface (SCSI) (Storage Only)
- Fibre Channel (Storage Only)

VSI TCP/IP Services (minimum Version 5.7-13ECO05B) is needed if using IP for cluster communication.. For more information, see the *Guidelines for OpenVMS Cluster Configurations*.

Applications running on one or more nodes in an OpenVMS Cluster system share resources in a coordinated manner. While updating data, the OpenVMS Cluster software synchronizes access to shared resources, preventing multiple processes on any node in the cluster from uncoordinated access to shared data. This coordination ensures data integrity during concurrent update transactions.

VSI supports mixed-architecture and mixed-version clusters that contain both Alpha and Integrity server systems.

Cluster satellite boot support on Integrity server systems is supported. This feature provides support for Integrity-to-Integrity satellite booting. Cross-architecture booting (booting an Integrity satellite node from an Alpha boot server and vice-versa) is not supported.

For more information, see the *VSI OpenVMS Cluster Software Product Description* (SPD DO-VIBHA-033).

VSI Volume Shadowing for OpenVMS

VSI Volume Shadowing for Integrity servers performs disk-mirroring operations using a redundant array of independent disks (RAID-1) storage strategy. Volume Shadowing for OpenVMS is available for Integrity server systems as a separately licensed product, and as a component of the HAOE on Integrity servers.

Volume Shadowing for OpenVMS provides high data availability for disk devices by ensuring against data loss that results from media deterioration or controller or device failure. This prevents storage subsystem component failures from interrupting system or application tasks. It also allows users to dynamically add new storage to an existing environment.

For more information, see the *VSI Volume Shadowing for OpenVMS Software Product Description* (SPD DO-VIBHAA-031).

VSI RMS Journaling for OpenVMS

VSI RMS Journaling for OpenVMS Integrity servers is available as a layered product and as a part of the HAOE on Integrity servers. Journaling enables a system manager, user, or application to maintain the data integrity of RMS files in the event of a number of failure scenarios. These journaling products protect RMS file data from becoming lost or inconsistent.

RMS Journaling provides the following three types of journaling:

- **After-image journaling.** Allows users to reapply modifications that have been made to a file. This type of journaling allows users to recover files that are inadvertently deleted, lost, or corrupted.
- **Before-image journaling.** Allows users to reverse modifications that have been made to a file. This type of journaling allows users to return a file to a previously known state.
- **Recovery-unit journaling.** Allows users to maintain transaction integrity. A transaction can be defined as a series of file updates on one or more files. If any failure occurs during the transaction, recovery-unit journaling rolls back the partially completed transaction to its starting point.

The binary kit for RMS Journaling ships with the OpenVMS Integrity server distribution kits. To run the software, customers must purchase a license and documentation. For more information, see the *RMS Journaling for OpenVMS Software Product Description* (SPD DO-VIBHAA-030).

VSI TCP/IP Services for OpenVMS

VSI TCP/IP Services for OpenVMS is a System Integrated Product (SIP). For OpenVMS for Integrity servers, TCP/IP Services is licensed as part of the Base Operating Environment (BOE); no separate license is required.

VSI TCP/IP Services for OpenVMS is VSI's industry-standard implementation of the TCP/IP and NFS networking protocols on the OpenVMS platform. TCP/IP Services for OpenVMS is integrated with the OpenVMS operating system installation. TCP/IP Services for OpenVMS provides interoperability and resource sharing among systems running OpenVMS, UNIX, Windows, and other operating systems that support TCP/IP. TCP/IP provides a comprehensive suite of functions and applications that support industry-standard protocols for heterogeneous network communications and resource sharing. TCP/IP Services for OpenVMS provides a full TCP/IP protocol suite including IP/multicasting, dynamic load balancing, rlogin proxy, network file access, remote terminal access, remote command execution, remote printing, mail, application development, Post Office Protocol (POP), SNMP Extensible agent (eSNMP), and Finger Utility. TCP/IP Version 5.7 also enables packet processing Engine (PPE), FTP anonymous light and stream control transmission protocol (SCTP) for its customers. TCP/IP allows use of an RSA host key that enables secure connectivity with newer SSH client implementations without requiring reconfiguration of the client to support the older, less-secure DSA host key types.

For more information, see the *TCP/IP Services for OpenVMS Software Product Description* (SPD DO-VIBHAA-029).

VSI DECnet-Plus and VSI DECnet Software

VSI DECnet for OpenVMS Integrity server software is a System Integrated Product (SIP). DECnet for OpenVMS for Integrity servers is a component of the Base Operating Environment (BOE) on Integrity servers license bundle. DECnet Extended Functionality is also included in the BOE; no additional license is needed.

DECnet-Plus for OpenVMS for Integrity servers is a component of the Base Operating Environment (BOE) on Integrity servers license bundle. The license for DECnet for OpenVMS for Integrity servers also grants the rights to use DECnet-Plus. Note that only one version of DECnet can be active on a single system at any one time. Both DECnet and DECnet-Plus allow OpenVMS systems to participate in network task-to-task communications for the purposes of transfer and copy of files, printing, the running of applications, etc.

DECnet-Plus offers task-to-task communications, file management, downline system and task loading, network command terminals, and network resource sharing capabilities as defined in the DIGITAL Network Architecture (DNA) Phase V protocols. DECnet-Plus provides the newest DECnet features such as extended addressing and downline load performance enhancements. DECnet-Plus integrates DECnet and OSI protocols and now provides a linkage to TCP/IP using Request for Comments (RFC) 1006 and RFC 1859. DECnet and OSI applications can now be run over DEC-net (NSP), OSI (CLNS), and TCP/IP transports.

For further information, see the *VSI DECnet-Plus for OpenVMS Software Product Description* (SPD DO-VIBHAA-023), or the *DECnet for OpenVMS Software Product Description* (SPD DO-VIBHAA-024).

VSI DECram for OpenVMS

VSI DECram for OpenVMS is a disk device driver that improves I/O performance by allowing an OpenVMS system manager to create pseudo disks (RAMdisks) that reside in main memory. Frequently accessed data can be accessed much faster from a DECram device than from a physical disk device. RAMdisks can be accessed through the file system just as physical disks are accessed, requiring no change to application or system software.

Because main memory is allocated for the DECram device, extra memory is generally required. The OpenVMS system manager can designate the amount of memory dedicated to the DECram devices and the files that will be stored on it.

Starting with OpenVMS Version 8.2, the binary kit for DECram ships with the OpenVMS Integrity servers software kit. For VSI OpenVMS for Integrity server customers, a software license for VSI DECram may be purchased as part of the OpenVMS Base Operating Environment (BOE).

For more information, see the *VSI DECram for OpenVMS Software Product Description* (SPD DO-VIBHAB-005).

VSI DECwindows Motif for OpenVMS

On the Integrity Server platform, the DECwindows product is part of the Base Operating Environment (BOE) and is licensed under this package. This product provides support for OSF/Motif, a standards-based graphical user interface, and the X user interface (XUI) in a single, runtime and development environment. DECwindows Motif displays the OSF/Motif user interface. Because both Motif and XUI are based on X.org X Window System, applications written with either toolkit will run regardless of which environment the user selects.

For more information, see the *VSI DECwindows Motif for OpenVMS Software Product Description* (SPD DO-VIBHAA-026).

Support for the HPE AD317A PCI sound card has been implemented for Integrity servers running OpenVMS. The device driver and a DECwindows audio-support image provide audible alarms (xBell) for X11 applications.

VSI Reliable Transaction Router (RTR)

VSI Reliable Transaction Router (RTR) for OpenVMS is available for Integrity server systems as a separately licensed product, and as a component of the HA-OE. Reliable Transaction Router (RTR) is failure-tolerant transactional messaging middleware used to implement large, distributed applications with client/server technologies. RTR helps ensure business continuity across multivendor systems and helps maximize uptime.

CONFORMANCE TO STANDARDS

OpenVMS is based on the following public, national, and international standards.

Distributed Computing Environment (DCE) Support

The DCE for the OpenVMS product family provides a set of the distributed computing features specified by The Open Group's DCE, as well as tools for application developers. With DCE, The Open Group has established a standard set of services and interfaces that facilitate the creation, use, and maintenance of client/server applications. DCE for OpenVMS serves as the basis for an open computing environment where networks of multivendor systems appear as a single system to the user. Because DCE makes the underlying networks and operating systems transparent, application developers can easily build portable, interoperable client/server applications. Users can locate and share information safely and easily across the entire enterprise. DCE for OpenVMS supplies system managers with a set of tools to consistently manage the entire distributed computing environment, while assuring the integrity of the enterprise.

DCE for OpenVMS currently consists of the following products:

- DCE Run-Time Services for OpenVMS
- DCE Application Developers' Kit for OpenVMS
- DCE Cell Directory Service (CDS)
- DCE Security Server, one of which is required for each DCE

The right to use the DCE Run-Time Services is included with the OpenVMS operating system base license. All other DCE products are available as separate layered products. For more details, see the *VSI Distributed Computing Environment (DCE) for OpenVMS Software Product Description* (SPD DO-VIBHAA-027).

Support for OSF/Motif and X Window System Standards

DECwindows Motif provides support for OSF/Motif, a standards-based graphical user interface. DECwindows Motif also provides support for the X Consortium's X Window System, Version 11, Release 6 (X11R6) server and the Version 11, Release 5 (X11R5) client.

Standards Supported by OpenVMS

The OpenVMS operating system is based on the following public, national, and international standards. These standards are developed by the American National Standards Institute (ANSI), U.S. Federal Government (responsible for FIPS), Institute of Electrical and Electronics Engineers (IEEE), and the International Organization for Standardization (ISO). The following information may be useful in determining responsiveness to stated conformance requirements as enabled in particular commercial and/or government procurement solicitation documents.

- ANSI X3.4-1986: American Standard Code for Information Interchange
 - ANSI X3.22-1973: Recorded Magnetic Tape (800 BPI, NRZI)
 - ANSI X3.27-1987: File Structure and Labeling of Magnetic Tapes for Information Interchange
 - ANSI X3.298: Limited support. Information Technology—AT Attachment-3 Interface (ATA-3)
 - ANSI X3.39-1986: Recorded Magnetic Tape (1600 BPI, PE)
 - ANSI X3.40-1983: Unrecorded Magnetic Tape
 - ANSI X3.41-1974: Code Extension Techniques for Use with 7-bit ASCII
 - ANSI X3.42-1975: Representation of Numeric Values in Character Strings
 - ANSI X3.54-1986: Recorded Magnetic Tape (6250 BPI, GCR)
 - ANSI X3.131-1986 (SCSI I): Small Computer System Interface
 - ANSI X3.131-1994 (SCSI II): Small Computer System Interface
 - ANSI/IEEE 802.2-1985: Logical Link Control
 - ANSI/IEEE 802.3-1985: Carrier Sense Multiple Access with Collision Detection
 - FIPS 1-2: Code for Information Interchange, Its Representations, Subsets, and Extensions
Note: 1-2 includes ANSI X3.4-1977(86)/FIPS 15; ANSI X3.32-1973/FIPS 36; ANSI X3.41-1974/FIPS 35; and FIPS 7.
 - FIPS 3-1/ANSI X3.22-1973: Recorded Magnetic Tape Information Interchange (800 CPI, NRZI)
 - FIPS 16-1/ANSI X3.15-1976: Bit Sequencing of the Code for Information Interchange in Serial-by-Bit Data Transmission
Note: FED STD 1010 adopts FIPS 16-1.
 - FIPS 22-1/ANSI X3.1-1976: Synchronous Signaling Rates Between Data Terminal and Data Communication Equipment
Note: FED STD 1013 adopts FIPS 22-1.
 - FIPS 25/ANSI X3.39-1986: Recorded Magnetic Tape for Information Interchange (1600 CPI, Phase Encoded)
 - FIPS 37/ANSI X3.36-1975: Synchronous High-Speed Data Signaling Rates Between Data Terminal Equipment and Data Communication Equipment
Note: FED STD 1001 adopts FIPS 37.
 - FIPS 50/ANSI X3.54-1986: Recorded Magnetic Tape for Information Interchange, 6250 CPI (246 CPMM), Group Coded Recording
 - FIPS 79/ANSI X3.27-1987: Magnetic Tape Labels and File Structure for Information Interchange
 - FIPS 86/ANSI X3.64-1979: Additional Controls for Use with American National Standard Code for Information Interchange
Note: Other FIPS are not applicable.
- Note:** Information regarding interchangeability of ANSI and FED standards with FIPS is contained in “ADP Telecommunications Standards Index,” July 1988, published and maintained by the General Services Administration.
- ISO 646: ISO 7-bit Coded Character Set for Information Exchange
 - ISO 1001: File Structure and Labeling of Magnetic Tapes for Information Interchange
 - ISO 1863: Information Processing — 9-track, 12, 7 mm (0.5 in) wide magnetic tape for information interchange recorded at 32 rpm (800 rpi)
 - ISO 1864: Information Processing — Unrecorded 12, 7 mm (0.5 in) wide magnetic tape for information interchange — 35 ft/mm (800 fpi) NRZI, 126 ft/mm (3 200 fpi) phase encoded and 356 ft/mm (9 042 fpi), NRZI
 - ISO 2022: Code Extension Techniques for Use with ISO 646
 - ISO 3307: Representations of Time of the Day

- ISO 3788: Information Processing — 9-track, 12, 7 mm (0.5 in) wide magnetic tape for information interchange recorded at 63 rpm (1 600 rpt), phase encoded
- ISO 4873: 8-Bit Code for Information Interchange — Structure and Rules for Implementation
- ISO 5652: Recorded Magtape (6250)
- ISO 6429: Control Functions for Coded Character Sets
- ISO 9316: 1989 (SCSI-1) Small Computer System Interface
- ISO 9660: Information Processing — Volume and file structure of CD-ROM for information exchange
- ISO 10288: 1994 (SCSI-2) Small Computer System Interface

INSTALLATION

VSI OpenVMS is distributed as a binary kit on DVD. Procedures to set up the system disk from media and to prepare the system for day-to-day operations are provided in the *VSI OpenVMS Installation and Upgrade Manual*. The procedures use the POLYCENTER Software Installation (PCSI) utility to configure and install the OpenVMS Integrity operating system.

Network Installation and Upgrade

InfoServer network booting is supported for OpenVMS installations and upgrades on any OpenVMS Integrity server systems that support OpenVMS. For OpenVMS Integrity server systems, InfoServer network booting is supported on all LAN cards (also referred to as LAN devices or adapters) that are supported by EFI.

For OpenVMS Integrity servers installations and upgrades, you can boot from a virtual DVD/CD drive on the LAN using the OpenVMS InfoServer software application.

You can use the OpenVMS InfoServer software application on all OpenVMS Integrity server systems running Version 8.3 or higher that support a DVD drive. This support provides the additional advantage of allowing a network administrator to boot multiple OpenVMS systems on the network from a single copy of the OpenVMS distribution media.

Using the InfoServer software application on Integrity servers for network booting requires several one-time-only configuration steps unique to OpenVMS Integrity servers. Any configuration procedures that might have been performed for network booting using an InfoServer hardware system (traditionally used by Alpha systems) are not valid for the OpenVMS Integrity servers or OpenVMS Alpha InfoServer application. Booting from the InfoServer software application for OpenVMS on Integrity servers differs significantly from booting from the InfoServer hardware system traditionally used by OpenVMS Alpha systems or from the InfoServer software application on OpenVMS Alpha systems.

To install or upgrade the operating system over the network, OpenVMS Integrity server systems must use the InfoServer software application that is integrated with the OpenVMS operating system. The InfoServer hardware traditionally used by OpenVMS Alpha systems is not equipped to handle DVD drives required for the OpenVMS Integrity server distribution media. OpenVMS Alpha systems can use the OpenVMS InfoServer software application or the traditional InfoServer hardware system that is independent of OpenVMS.

For additional information, see the *VSI OpenVMS Version 8.4-2 Installation and Upgrade Manual*.

Virtual Connect

Virtual Connect is a set of interconnect modules and embedded software for HPE BladeSystem c-Class enclosures; it simplifies the setup and administration of server connections. VSI Virtual Connect includes the HPE 1/10Gb Virtual Connect Ethernet Module for c-Class BladeSystem, the HPE 4Gb Fibre Channel module, and the HPE Virtual Connect Manager.

Virtual Media (vMedia)

Virtual Media (vMedia) is the overall name for a number of different devices that can exist on a PC. These devices appear as local USB disk devices to the host system. vMedia is part of the iLO2-enhanced feature set. On some systems, the iLO2 license is bundled with the hardware, while with others a separate iLO2 license must be purchased to enable the virtual media device. You can also use vMedia devices to boot, install, or upgrade OpenVMS from over the network, as described in the *VSI OpenVMS Version 8.4-2 Installation and Upgrade Manual*.

OpenVMS supports vMedia in the following Integrity server systems: BL860c, rx2660, rx3600, rx6600, rx7640, and rx8640.

Note: The rx7640 and rx8640 Integrity servers require an AD307A card to be installed in order for vMedia to function.

POLYCENTER Software Installation

The PCSI utility simplifies the installation and management of OpenVMS products. It is used to install, update, and uninstall software products that have been prepared with the utility. In addition, the utility provides a database to track the installation, reconfiguration, and uninstallation of software. For products installed with other installation technologies, the utility provides a mechanism for adding information about them into the product database. The utility also provides the ability to manage dependencies between products during the installation process.

For software providers, the PCSI utility simplifies the task of packaging software by providing a simple, declarative language for describing material for the installation kit and defining how it is installed. The utility handles the functions, while the developer instructs the utility what to do. This significantly reduces the complexity and time to develop installation procedures. The language allows the developer to easily specify dependencies on other software, manage objects in the execution environment (such as files and directories), and anticipate and resolve conflict before it occurs. The utility also significantly simplifies the packaging of multiple software products into one logical product suite.

For OpenVMS for Integrity servers, you use the PCSI utility to install the operating system and to install layered products that are compliant with the POLYCENTER utility.

All of the software product kits included on the OpenVMS Version 8.4-2L1 distribution media are signed using Secure Delivery. A notable exception is the OpenVMS Operating System (the OpenVMS product) because it is shipped in bootable form, not as a single file kit that is signed.

For OpenVMS for Integrity servers, when you install or upgrade the operating system by booting from the distribution media, layered products that have been signed are validated by the PCSI utility with the aid of a digital signature file (called a manifest). Validation involves using the Secure Delivery component of CDSA to authenticate the originator of the product kit and to verify its contents.

On OpenVMS for Integrity server systems, the PRODUCT SHOW HISTORY command displays the validation status of installed products and identifies those that were installed from unsigned kits or were installed prior to the availability of the Secure Delivery functionality.

VMSINSTAL

OpenVMS includes the VMSINSTAL facility to handle the installation of optional supplied software products that have not been converted to use the POLYCENTER Software Installation utility.

Test Package and Diagnostics

OpenVMS includes a User Environment Test Package (UETP), which verifies that the OpenVMS operating system is properly installed and ready for use on the customer's systems.

You can run diagnostics on individual devices during normal system operation. Certain critical components can operate in degraded mode.

OpenVMS FOR INTEGRITY SERVERS DISK SPACE REQUIREMENTS

Operating System Disk Space Requirements

The minimum disk space required for OpenVMS for Integrity servers is 3.4 GB. The disk space requirements for OpenVMS for Integrity servers vary according to which options are installed:

File Category	Space Used
Minimum OpenVMS files	2.4 GB
DECwindows Support	74 MB
Full DECwindows Motif (optional)	132 MB
DECnet Support	3 MB
DECnet-Plus	66 MB
WBEMCIM	308 MB
Other optional OpenVMS files	167 MB
Paging file (required)	1028 MB
Swap file (suggested)	32 MB
Dump file (optional)	181 MB
Total	3.4 GB

NOTE: The minimum OpenVMS files listed in the table will allow you to run with minimal functionality. Not all OpenVMS commands and utilities will function fully as documented in this minimum configuration. Not all VSI and other layered products will work in this minimum configuration.

The minimum OpenVMS files are for a system configuration where all optional features have been declined during the initial installation. For most applications, this is not a realistic OpenVMS environment.

The paging, swap, and dump file requirements are the minimum for a system with 64 MB of main memory. Additional memory in most cases adds to the space needed for these files, as will particular needs of your application. With careful system management it is possible to use the paging file space as a temporary dump file.

For an OpenVMS Cluster system disk, paging, swap, and dump files cannot be shared between nodes, so the files must either be duplicated on the system disk or located on some other disk.

DECwindows Motif for OpenVMS for Integrity servers Disk Space Requirements

To support full OpenVMS for Integrity servers and full DECwindows Motif for OpenVMS for Integrity servers, a system disk with at least 707 MB is recommended. However, a subset of the DECwindows Motif environment can be installed. The permanent amount of space used is 135 MB. These disk space requirements are in addition to the disk space required for the OpenVMS for Integrity servers operating system, as indicated in the OpenVMS for Integrity servers Disk Space Requirements table.

Installation of the DECwindows Motif layered product gives customers the option of installing any or all of the following components:

- **Run-time support (base kit)** - 60 MB. This section provides support for running DECwindows Motif for OpenVMS for Integrity servers applications on Integrity servers and is a required part of the installation.
- **New Desktop** - 35 MB. This is an optional component that allows use of the New Desktop environment. It includes applications and application programming interfaces (APIs).
- **DECwindows desktop** - 8 MB. The DECwindows desktop is the user interface that was included in previous versions of DECwindows Motif and includes the DECwindows Session Manager, FileView, and the Motif Window Manager.
- **Programming support** - 8 MB. This number includes support for the C, Pascal, and FORTRAN programming languages and for the New Desktop. If only a subset of languages is installed, the amount of disk space required will be less.
- **Programming examples** - 8 MB. This number includes example audio files, the DECwindows desktop, and the New Desktop. If only a subset of example files is installed, the amount of disk space required will be less.

Layered Product Disk Space Requirements

In addition to the disk space used directly by VSI or third-party layered products, there may be additional space used to store information from those products in OpenVMS help libraries, command tables, object libraries,

and elsewhere. The amount of additional disk space required cannot be exactly predicted due to the possibility of recovering unused space already existing in those library files. Unusually large modules contributed by layered products can also affect the amount of space required for upgrading to a new version of the OpenVMS for Integrity servers operating systems.

MEMORY SPACE REQUIREMENTS

VSI OpenVMS for Integrity servers Memory Space Requirements

VSI OpenVMS for Integrity servers is supported by the minimal memory requirements of the specific Integrity server platform. See the supported platform list located at:

<http://www.hp.com/products1/servers/integrity/index.html>

DISTRIBUTION MEDIA

VSI OpenVMS for Integrity servers is available on DVD; the DVD contains the operating system and layered product binaries for all layered products included with the Operating Environments. Other items in the media kit are delivered on CD or DVD. A single media kit contains the operating system, Operating Environment component products, layered products, online documentation, and several hardcopy manuals.

Some Integrity servers do not include a built-in CD/DVD drive. You can use an external USB CD/DVD drive (you must supply this drive and the required cable; they are not included with the Integrity servers). You can use InfoServer network booting to boot from a virtual DVD drive on the network. You can also use virtual media (vMedia) devices to allow you to boot, install, or upgrade OpenVMS from over the network, as described in the *VSI OpenVMS Version 8.4-2 Installation and Upgrade Manual*.

Note: The Integrity Layered Products Library DVD will supersede layered products media upon each release. Updates for layered product components included on the OpenVMS OE media are delivered on an additional OpenVMS OE Update DVD to maintain the integrity of the original OpenVMS for Integrity servers binary distribution.

DOCUMENTATION

The OpenVMS Version 8.4-2L1 media kit includes the following hardcopy books. The books are also available on the VMS Software Inc website, on the VSI Documentation CD, and on the VSI OpenVMS OE DVD:

- VSI OpenVMS Version 8.4-2L1 Cover Letter and Release Notes
- VSI OpenVMS Version 8.4-2 Cover Letter and Release Notes
- VSI OpenVMS Version 8.4-2 Installation and Upgrade Manual
- VSI OpenVMS Version License Management Utility Manual

GROWTH CONSIDERATIONS

The minimum hardware and software requirements for any future version of this product may be different from the requirements for the current version.

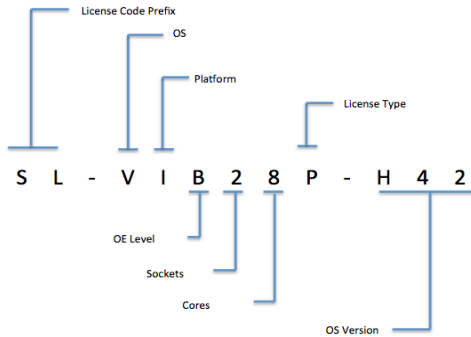
ORDERING INFORMATION

OpenVMS for Integrity Servers Ordering Information

VSI OpenVMS V8.4-2L1 is sold by the socket, and is sold and supported on the systems listed in this document. VSI utilizes a 2-6-3 part number format, where the first 2 numbers represent the product type:

SL = Software License	SV = Services (installation, data migration, etc.)
SW = Software Warranty	ME = Media
SA = Software Warranty Agreement	DO = Documentation
SK = Software Distribution Kit	TR = Education Courses and Training
HW = Hardware	

The following example illustrates the fields that comprise a Software License (SL) part number.



For licenses, the middle 6 fields denote the OS, platform, OS level, server sockets, socket cores, and license type:

- 1st position: V=OpenVMS
- 2nd position: Platform; I=Integrity
- 3rd position: OS level; B=BOE; H=HAOE
- 4th position: Sockets in server: 2=2 sockets, 4=4 sockets, 8=8 sockets, 1=16 sockets, 3=32 sockets
- 5th position: Cores per socket; 1=1 core, 2=2 core, 4=4 cores, 8=8 cores
- 6th position: License type: E=Electronic, P=Physical, U=Upgrade

Last, a 3-letter code represents the OpenVMS version, minor update number, and hardware update number.

The OpenVMS Version 8.4-2L1 operating system software, layered product software, and online documentation are delivered together in one media kit.

- Specify part number **SK-VIHKIT-H4W** for the **VSI OpenVMS V8.4-2L1 Integrity servers OE media kit**.
- A single media kit provides the Base (BOE) and High Availability (HA-OE) Operating Environments, which are enabled by a BOE or HA-OE license-to-use (LTU, sold separately).
- Purchase of an OE media kit requires the purchase of a corresponding OE license on the same order.

The VSI OpenVMS operating system software, layered product software, and online documentation are delivered together in one media kit. Table 1 lists the media ordering options. Table 2 lists the operating environment licensing options.

Table 1
OpenVMS for Integrity Servers Media Ordering Options

Media Option	Description
SK-VIHKIT-H4W	VSI OpenVMS V8.4-2L1 physical media kit
SE-VIHKIT-H4W	VSI OpenVMS V8.4-2L1 electronic media kit
SE-VIHKIT-H42	VSI OpenVMS V8.4-2 electronic media kit
SE-VIHKIT-H42	VSI OpenVMS V8.4-2 electronic media kit
SK-VIHKIT-H41	VSI OpenVMS V8.4-1H1 physical media kit
SE-VIHKIT-H41	VSI OpenVMS V8.4-1H1 electronic media kit

Each media order must specify the OE Version. The purchase of at least one DVD Media option per customer site is strongly advised. For a complete description of the OpenVMS for Integrity servers Operating Environments, or for additional ordering information, see the *VSI OpenVMS Version 8.4-2L1 Operating Environment Software Product Description* (SPD DO-VIBHAC-006).

OpenVMS for Integrity Servers Software Licenses

A license is referred to as a "License-to-Use" or LTU. For OEs, the following hardware tiers are defined:

- Maximum of 2 Processors (rx1600; rx1620; rx2600; rx2620; rx2660; rx3600; rx2800 i2, i4, i6; BL860c i2, i4, i6)
- Maximum of 4 Processors (rx6600; rx7640; BL870c i2, i4, i6)
- Maximum of 8 Processors (rx8640; BL890c i2, i4, i6)

The following are licenses offered for each OpenVMS for Integrity servers Operating Environment. One license is required for each active processor (active server socket).

Software Licenses

Table 2
Operating Environment Licenses

Physical Licenses	
Product Number	Description
SL-VIB21P-H4W	VSI OpenVMS I64 V8.4-2L1 BOE 2Skt/1C LTU
SL-VIB22P-H4W	VSI OpenVMS I64 V8.4-2L1 BOE 2Skt/2C LTU
SL-VIB24P-H4W	VSI OpenVMS I64 V8.4-2L1 BOE 2Skt/4C LTU
SL-VIB28P-H4W	VSI OpenVMS I64 V8.4-2L1 BOE 2Skt/8C LTU
SL-VIB41P-H4W	VSI OpenVMS I64 V8.4-2L1 BOE 4Skt/1C LTU
SL-VIB42P-H4W	VSI OpenVMS I64 V8.4-2L1 BOE 4Skt/2C LTU
SL-VIB44P-H4W	VSI OpenVMS I64 V8.4-2L1 BOE 4Skt/4C LTU
SL-VIB48P-H4W	VSI OpenVMS I64 V8.4-2L1 BOE 4Skt/8C LTU
SL-VIB81P-H4W	VSI OpenVMS I64 V8.4-2L1 BOE 8Skt/1C LTU
SL-VIB82P-H4W	VSI OpenVMS I64 V8.4-2L1 BOE 8Skt/2C LTU
SL-VIB84P-H4W	VSI OpenVMS I64 V8.4-2L1 BOE 8Skt/4C LTU
SL-VIB88P-H4W	VSI OpenVMS I64 V8.4-2L1 BOE 8Skt/8C LTU
SL-VIH21P-H4W	VSI OpenVMS I64 V8.4-2L1 HAOE 2Skt/1C LTU
SL-VIH22P-H4W	VSI OpenVMS I64 V8.4-2L1 HAOE 2Skt/2C LTU
SL-VIH24P-H4W	VSI OpenVMS I64 V8.4-2L1 HAOE 2Skt/4C LTU
SL-VIH28P-H4W	VSI OpenVMS I64 V8.4-2L1 HAOE 2Skt/8C LTU
SL-VIH41P-H4W	VSI OpenVMS I64 V8.4-2L1 HAOE 4Skt/1C LTU
SL-VIH42P-H4W	VSI OpenVMS I64 V8.4-2L1 HAOE 4Skt/2C LTU
SL-VIH44P-H4W	VSI OpenVMS I64 V8.4-2L1 HAOE 4Skt/4C LTU
SL-VIH48P-H4W	VSI OpenVMS I64 V8.4-2L1 HAOE 4Skt/8C LTU
SL-VIH81P-H4W	VSI OpenVMS I64 V8.4-2L1 HAOE 8Skt/1C LTU
SL-VIH82P-H4W	VSI OpenVMS I64 V8.4-2L1 HAOE 8Skt/2C LTU
SL-VIH84P-H4W	VSI OpenVMS I64 V8.4-2L1 HAOE 8Skt/4C LTU
SL-VIH88P-H4W	VSI OpenVMS I64 V8.4-2L1 HAOE 8Skt/8C LTU
Electronic Licenses	
Product Number	Description
SL-VIB21E-H4W	VSI OpenVMS I64 V8.4-2L1 BOE 2Skt/1C LTU
SL-VIB22E-H4W	VSI OpenVMS I64 V8.4-2L1 BOE 2Skt/2C LTU
SL-VIB24E-H4W	VSI OpenVMS I64 V8.4-2L1 BOE 2Skt/4C LTU

SL-VIB28E-H4W	VSI OpenVMS I64 V8.4-2L1 BOE 2Skt/8C LTU
SL-VIB41E-H4W	VSI OpenVMS I64 V8.4-2L1 BOE 4Skt/1C LTU
SL-VIB42E-H4W	VSI OpenVMS I64 V8.4-2L1 BOE 4Skt/2C LTU
SL-VIB44E-H4W	VSI OpenVMS I64 V8.4-2L1 BOE 4Skt/4C LTU
SL-VIB48E-H4W	VSI OpenVMS I64 V8.4-2L1 BOE 4Skt/8C LTU
SL-VIB81E-H4W	VSI OpenVMS I64 V8.4-2L1 BOE 8Skt/1C LTU
SL-VIB82E-H4W	VSI OpenVMS I64 V8.4-2L1 BOE 8Skt/2C LTU
SL-VIB84E-H4W	VSI OpenVMS I64 V8.4-2L1 BOE 8Skt/4C LTU
SL-VIB88E-H4W	VSI OpenVMS I64 V8.4-2L1 BOE 8Skt/8C LTU
SL-VIH21E-H4W	VSI OpenVMS I64 V8.4-2L1 HAOE 2Skt/1C LTU
SL-VIH22E-H4W	VSI OpenVMS I64 V8.4-2L1 HAOE 2Skt/2C LTU
SL-VIH24E-H4W	VSI OpenVMS I64 V8.4-2L1 HAOE 2Skt/4C LTU
SL-VIH28E-H4W	VSI OpenVMS I64 V8.4-2L1 HAOE 2Skt/8C LTU
SL-VIH41E-H4W	VSI OpenVMS I64 V8.4-2L1 HAOE 4Skt/1C LTU
SL-VIH42E-H4W	VSI OpenVMS I64 V8.4-2L1 HAOE 4Skt/2C LTU
SL-VIH44E-H4W	VSI OpenVMS I64 V8.4-2L1 HAOE 4Skt/4C LTU
SL-VIH48E-H4W	VSI OpenVMS I64 V8.4-2L1 HAOE 4Skt/8C LTU
SL-VIH81E-H4W	VSI OpenVMS I64 V8.4-2L1 HAOE 8Skt/1C LTU
SL-VIH82E-H4W	VSI OpenVMS I64 V8.4-2L1 HAOE 8Skt/2C LTU
SL-VIH84E-H4W	VSI OpenVMS I64 V8.4-2L1 HAOE 8Skt/4C LTU
SL-VIH88E-H4W	VSI OpenVMS I64 V8.4-2L1 HAOE 8Skt/8C LTU

Note: For information on OE licenses for prior versions, see VSI SPD DO-VIBHAC-006.

Ordering OE License Upgrades

The Upgrade License is used when the Operating Environment is upgraded from smaller OE to larger on the same Integrity server. The BOE to HAOE License Upgrades deliver a license for HAOE; the pricing gives credit for the previous purchase of the BOE.

Table 3 lists the OE license upgrade options.

Table 3
OE License Upgrade Options

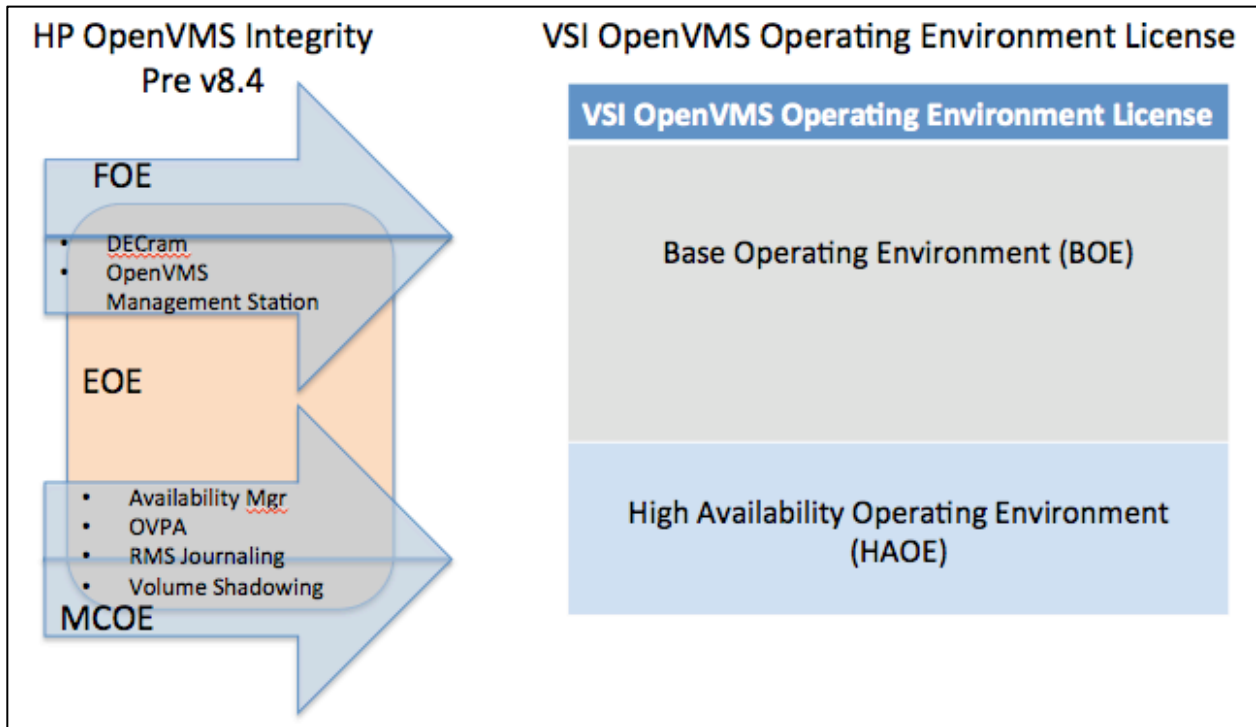
Product Number	Description
SL-VIH21U-H4W	VSI OpenVMS I64 V8.4-2L1 BOE to HAOE Upg 2Skt/1C LTU
SL-VIH22U-H4W	VSI OpenVMS I64 V8.4-2L1 BOE to HAOE Upg 2Skt/2C LTU
SL-VIH24U-H4W	VSI OpenVMS I64 V8.4-2L1 BOE to HAOE Upg 2Skt/4C LTU
SL-VIH28U-H4W	VSI OpenVMS I64 V8.4-2L1 BOE to HAOE Upg 2Skt/8C LTU
SL-VIH41U-H4W	VSI OpenVMS I64 V8.4-2L1 BOE to HAOE Upg 4Skt/1C LTU
SL-VIH42U-H4W	VSI OpenVMS I64 V8.4-2L1 BOE to HAOE Upg 4Skt/2C LTU
SL-VIH44U-H4W	VSI OpenVMS I64 V8.4-2L1 BOE to HAOE Upg 4Skt/4C LTU
SL-VIH48U-H4W	VSI OpenVMS I64 V8.4-2L1 BOE to HAOE Upg 4Skt/8C LTU
SL-VIH81U-H4W	VSI OpenVMS I64 V8.4-2L1 BOE to HAOE Upg 8Skt/1C LTU
SL-VIH82U-H4W	VSI OpenVMS I64 V8.4-2L1 BOE to HAOE Upg 8Skt/2C LTU
SL-VIH84U-H4W	VSI OpenVMS I64 V8.4-2L1 BOE to HAOE Upg 8Skt/4C LTU
SL-VIH88U-H4W	VSI OpenVMS I64 V8.4-2L1 BOE to HAOE Upg 8Skt/8C LTU

Note: For information on OE license upgrades for prior version, see the VSI SPD DO-VIBHAC-006.

Ordering OE License

When upgrading from a pre OpenVMS V8.4 Integrity version, the following software equivalency mapping applies.

Equivalency for older OEs (FOE, EOE, MCOE):



OE upgrade mappings:

- FOE → BOE
- EOE → HAOE
- MCOE → HAOE

When upgrading from pre-V8.4 Alpha OpenVMS versions, the following software equivalency mapping applies.

HP OpenVMS Alpha	VSI OpenVMS Operating Environment License
OpenVMS Base	Base Operating Environment (BOE)
OpenVMS SMP	
OpenVMS User	
Enterprise Integration Package	
<u>DECram</u>	
RMS Journaling	High Availability Operating Environment (HAOE)
Volume Shadowing	
<u>VMSClusters</u>	

Upgrade process:

1. The customer orders the new OE license and support.
2. The customer installs new VSI licenses.
3. The customer installs new VSI software versions.

OpenVMS Hardcopy Documentation Sets

VSI is in the process of updating the OpenVMS Hardcopy documentation set; availability is TBD. The VSI OpenVMS Media Kit contains the documents you need to get started with the latest version of the OpenVMS operating system.

SOFTWARE PRODUCT SERVICES

A variety of service options are available from VSI. For more information, contact your local VSI account representative or distributor. Information is also available from:

<http://www.vmssoftware.com>.

SOFTWARE LICENSING

The OpenVMS operating system software is furnished under the licensing provisions of VSI's Standard Terms and Conditions.

License Management Facility Support

The OpenVMS operating system supports the OpenVMS License Management Facility (LMF).

If an OpenVMS license is not registered and activated using LMF, only a single login is permitted for system management purposes through the system console (OPA0:).

Some of the OpenVMS license types are based on the number of concurrent users, called an activity license. Every product has the option to define an activity as related to the LMF. OpenVMS Interactive User and ADL Interactive User Licenses define the number of concurrent users who have activity licenses as defined by the LMF. OpenVMS defines activities, sometimes referred to as an OpenVMS user, as follows:

- Each remote terminal connection is considered an activity. This is true even if users set host to their local nodes (SET HOST 0).
- Each connection from a terminal server is considered an activity.
- A multiple window session on a workstation is considered one activity, regardless of the number of windows.
- A batch job is not considered an activity.
- A remote network connection (a connection other than a remote terminal connection) is not considered an activity.

For more information about VSI's licensing terms and policies, contact your VSI account representative.

Virtualization Licensing on Integrity Servers

Customers who want to run OpenVMS and/or layered software in a virtualized environment have to purchase appropriate license to use. The part numbers and ordering process for OpenVMS Operating Environments and layered products in a virtualized environment is the same as that for OpenVMS in a standalone mode.

Software License Information (OpenVMS for Integrity Servers Only)

OpenVMS for Integrity servers is offered with a Per-Socket License (PSL). OpenVMS for Integrity servers licenses are also packaged differently, using Operating Environment (OE) bundles.

The OE bundles are groups of individual products offered together under a single license. OEs are offered with PSLs. One PSL is required for each active socket in the system or hard partition. If additional sockets are later added to the system or hard partition, each requires an additional PSL.

An OE license grants the right to use all the components included in the specified OE.

For OpenVMS for Integrity servers, once a customer purchases a new license, the only way the customer can obtain rights to new versions of the product are:

- Through a Support Agreement
- Through a purchase of a new, full-priced license for that product

The VSI OpenVMS License provides the right to use only the VSI OpenVMS features of the current or prior versions of the VSI OpenVMS Operating System.

The following licensing practices also apply:

- User licenses are not required. The Base Operating Environment (BOE) license includes unlimited OpenVMS users.
- Version update licenses are not available. Update services are available only through a Support Agreement.

For more information regarding OpenVMS for Integrity servers licensing terms and policies, contact your local VSI sales office, or find VSI software licensing information on the World Wide Web at:

<http://www.vmssoftware.com>

Integrity Server Software License Information

The OpenVMS operating system license includes the right to use OpenVMS licenses for multiple instances of OpenVMS on the first and then once again on each subsequent hard partition of a single HPE BL890c i4, BL890c i6, rx7640 or rx8640 server.

The following technologies are licensed as part of the OpenVMS operating system.

Product Name	Software Product Description (SPD)
DECprint Supervisor (DCPS) for OpenVMS	SPD DO-VIBHAA-025
VSI Distributed Computing Environment (DCE)	SPD DO-VIBHAA-027
OpenVMS Enterprise Directory (LDAPv3/X.500)	SPD DO-VIBHAA-034

The following technologies are distributed with the OpenVMS for Integrity servers operating systems, under the applicable open source software license, or other software license.

- Extensible Markup Language (XML) Technology
- Secure Web Server including: Perl, Tomcat, and Secure Sockets Layer (bundled with SWS)
- DECprint Supervisor (DCPS) for OpenVMS
- Universal Description, Discovery, and Integration (UDDI) Client Toolkit

OpenVMS License Information

OpenVMS operating system licenses are bundled with additional products into operating environments. The two OE environments available are BOE (Base Operating Environment) and HAOE (High Availability Operating Environment). These environments offer base operating system functionality along with additional capability, based on the OE. The operating environments are tiered in a hierarchy where HAOE contains everything in the BOE plus additional functionality.

The following technologies are licensed as part of the OpenVMS for Integrity servers OE environments:

Product Name	Software Product Description (SPD)
DECnet-Plus for OpenVMS, including DECnet Extended Functionality	SPD DO-VIBHAA-023
DECnet Phase IV for OpenVMS	SPD DO-VIBHAA-024
DECram for OpenVMS	SPD DO-VIBHAB-005
DECwindows Motif for OpenVMS	SPD DO-VIBHAA-026
OpenVMS Cluster Software	SPD DO-VIBHAA-033
Reliable Transaction Router	SPD DO-VIBHAA-042
RMS Journaling for OpenVMS	SPD DO-VIBHAA-030
TCP/IP Services for OpenVMS	SPD DO-VIBHAA-029
Volume Shadowing for OpenVMS	SPD DO-VIBHAA-031

For information on products included in OpenVMS for Integrity Servers operating environments, see the *VSI OpenVMS Version 8.4-2L1 Operating Environment Software Product Description (DO-VIBHAC-006)*.

SYSTEMS SUPPORTED**Integrity Server Systems Supported**

VSI OpenVMS Version 8.4-2L1 supports the following HPE Integrity servers:

- HPE rx1600 Server (Itanium Single-Core processors) 1.0-GHz/1.5-MB
- HPE rx2600 Server (Itanium Single-Core processor) 1.3 GHz/3 MB, 1.5 GHz/6 MB, 1.0 GHz/1.5 MB, 1.4 GHz/1.5
- HPE rx2620 Server (Itanium Single-Core processor) 1.6GHz/3MB, 1.6GHz/6MB, 1.3GHz/3MB
- HPE rx2620 Server (Itanium Dual-Core processor) 1.6GHz/18MB, 1.4GHz/12MB
- HPE rx2660 Server (Itanium Single-Core processor) 1.6GHz/12MB
- HPE rx2660 Server (Itanium Dual-Core processor) 1.6GHz/18MB, 1.4GHz/12MB
- HPE rx3600 Server (Itanium Dual-Core processor) 1.6GHz/18MB, 1.66GHz/18MB, 1.4GHz/12MB, 1.42GHz/12MB
- HPE rx6600 Server (Itanium Dual-Core processor) 1.6GHz/24MB, 1.6GHz/18MB, 1.4GHz/12MB
- HPE rx7640 Server (Itanium Dual-Core processor) 1.6GHz/24MB, 1.6GHz/18MB, 1.4GHz/12MB
- HPE rx8640 Server (Itanium Dual-Core processor) 1.6GHz/6MB
- HPE BladeSystems Integrity BL860c Server Blade (2P/2C; 2P/4C); 1.6GHz/6MB, 1.4GHz/12MB, 1.6GHz/18MB; included in c7000 and c3000 enclosure.
- HPE Integrity BL860c i2 Server Blade (Itanium Quad-Core processors); 1.33GHz/16MB, 1.6GHz/20MB, 1.73GHz/24MB; included in c7000 and c3000 enclosure
- HPE Integrity BL860c i2 Server Blade (Itanium Dual-Core processors); 1.6GHz/10MB; included in c7000 and c3000 enclosure
- HPE BladeSystems Integrity BL870c Server Blade (2P/2C; 2P/4C); 1.6GHz/18MB, 1.4GHz/12MB, 1.6GHz/24MB; included in c7000 and c3000 enclosure.
- HPE Integrity BL870c i2 Server Blade (Itanium Quad-Core processors); 1.33GHz/16MB, 1.6GHz/20MB, 1.73GHz/24MB; included in c7000 and c3000 enclosure
- HPE Integrity BL870c i2 Server Blade (Itanium Dual-Core processors); 1.6GHz/10MB; included in c7000 and c3000 enclosure
- HPE Integrity BL890c i2 Server Blade (Itanium Quad-Core processors) 1.33GHz/16MB, 1.6GHz/20MB, 1.73GHz/24MB; included in c7000 and c3000 enclosure
- HPE Integrity BL890c i2 Server Blade (Itanium Dual-Core processors); 1.6GHz/10MB; included in c7000 and c3000 enclosure
- HPE Integrity rx2800 i2 Server (Itanium Quad-core Processors); 1.33 GHz/16 MB on-chip L3 cache 9320 processor, or quad core 1.60 GHz/20 MB on-chip L3 cache 9340.
- HPE Integrity rx2800 i2 Server (Itanium Dual-core Processors); 1.6 GHz/10 MB on-chip L3 cache 9310 processor
- HPE Integrity BL860c i4 Server Blade (Itanium Quad-Core processors); 1.73GHz/20MB 130W; 2.4GHz/32MB 170W included in c7000 and c3000 enclosure
- HPE Integrity BL860c i4 Server Blade (Itanium Dual-Core processors); 2.13GHz/24MB 170W; 2.53GHz/32MB 170W; included in c7000 and c3000 enclosure
- HPE Integrity BL870c i4 Server Blade (Itanium Quad-Core processors); 1.73GHz/20MB 130W; 4-Core 9550 2.4GHz/32MB 170W, 1.6GHz/20MB, 1.73GHz/24MB; included in c7000 and c3000 enclosure
- HPE Integrity BL870c i4 Server Blade (Itanium Dual-Core processors); 2.13GHz/24MB 170W; 2.53GHz/32MB 170W; included in c7000 and c3000 enclosure
- HPE Integrity BL890c i4 Server Blade (Itanium Quad-Core processors) 2.13GHz/24MB 170W; included in c7000 and c3000 enclosure

- HPE Integrity BL890c i4 Server Blade (Itanium Dual-Core processors); 2.53GHz/32MB 170W; included in c7000 and c3000 enclosure
- HPE Integrity rx2800 i4 Server (Itanium Quad-Core Processors); 1.73GHz/20MB 130W on-chip L3 cache 9520 processor, or quad core 2.4GHz/32MB 170W on-chip L3 cache 9550.
- HPE Integrity rx2800 i4 Server (Itanium Dual-Core Processors); 2.13GHz/24MB 170W on-chip L3 cache 9540 or 2.53GHz/32MB 170W on 9560 processor
- HPE Integrity BL8x0c i6 Server Blade 9720 4c Processors; 4-Core 9720 1.73GHz/20MB 130W
- HPE Integrity BL8x0c i6 Server Blade 9740 8c Processors; 8-Core 9740 2.13GHz/24MB 170W
- HPE Integrity BL8x0c i6 Server Blade 9750 4c Processor; 4-Core 9750 2.53GHz/32MB 170W
- HPE Integrity BL8x0c i6 Server Blade 9760 8c Processors; 8-Core 9760 2.67GHz/32MB 170W
- HPE Integrity rx2800 i6 Server 9760 8-core 2.66 GHz / 32 MB (L3) 170W
- HPE Integrity rx2800 i6 Server 9750 4-core 2.53 GHz / 32 MB (L3) 170W
- HPE Integrity rx2800 i6 Server 9740 8-core 2.13 GHz / 24 MB (L3) 170W
- HPE Integrity rx2800 i6 Server 9720 4-core 1.73 GHz / 20 MB (L3) 130W

The following table describes the support status of VSI OpenVMS V8.4-2L1 on different server models, including the latest HPE Integrity servers. Customers are free to run VSI OpenVMS Version 8.4-2L1 on any server but should consult the following table for formal support status.

Supported Servers

OpenVMS V8.4-2L1 Server Support			
Server Model	VSI OpenVMS V8.4-2L1	VSI Technical Support	HPE Technical Support
rx2800 i2, i4, i6	Tested	Supported	Supported
BL860c i2, i4, i6	Tested	Supported	Supported
BL870c i2, i4, i6	Tested	Supported	Supported
BL890c i2, i4, i6	Tested	Supported	Supported
rx1600	Tested	Supported	Not supported
rx2600	Tested	Supported	Not supported
rx2620	Tested	Supported	Not supported
rx2660	Tested	Supported	Not supported
rx3600	Tested	Supported	Not supported
rx6600	Tested	Supported	Not supported
rx7640	Tested	Supported	Not supported
rx8640	Tested	Supported	Not supported
HPE Integrity Superdome	Not tested	Not supported	Not supported

Upgrading to VSI OpenVMS V8.4-2L1

VSI supports upgrades from earlier versions of OpenVMS as described in the following table:

VSI OpenVMS V8.4-2L1 Upgrade Path Support	
Upgrade Target Version	VSI Technical Support
HPE Version v8.4 U900, U1000, or U1100	Supported
HPE Version v8.3-1H1	Supported
HPE Version v8.3	Supported
HPE Version v8.2-1	Not Supported

APPENDIX A: OpenVMS for Integrity servers

This appendix describes the options supported on OpenVMS for Integrity servers. Please refer to VSI's web page at www.vmssoftware.com for storage options supported by VSI's OpenVMS.

LAN Options

A5506B	Quad port UTP (copper) network interface card(NIC); connects PCI systems to Ethernet and IEEE 802.3 local area networks at 10 or 100 Mb/s.
A6825A	UTP (copper) network interface card (NIC); connects PCI-X systems to Ethernet and IEEE 802.3 local area networks at 10, 100, or 1000 Mb/s.
A6825A	UTP (copper) network interface card (NIC); connects PCI-X systems to Ethernet and IEEE 802.3 local area networks at 10, 100, or 1000 Mb/s.
A6847A	Fiber-optic interface network card (NIC) that connects PCI-X systems to Ethernet and IEEE 802.3 local area networks at 1000 Mb/s
AB290A	HPE PCI-X 2p 1000BT, 2p U320 SCSI Adapter.
AB287A	Fiber-optic network interface card (NIC) that connects PCI-X systems to Ethernet and IEEE802.3 local area networks at 10 Gb/s.
AB545A	Quad port UTP (copper) network interface card (NIC); connects PCI-X to Ethernet and IEEE 802.3 local area networks at 10, 100, or 1000 Mb/s.
AB352A	Dual port UTP (copper) network interface card (NIC) that connects PCI-X to Ethernet and IEEE 802.3 local area networks at 10, 100, or 1000 Mb/s. This card is supported as an rx4640 core I/O option only.
AD331A	UTP (copper) network interface card (NIC); connects PCI-X systems to Ethernet and IEEE 802.3 local area networks at 10, 100, or 1000 Mb/s.
AD332A	Fiber-optic network interface card (NIC) that connects PCI-X systems to Ethernet and IEEE 802.3 local area networks at 10, 100, or 1000 Mb/s.
AD337A	Dual port UTP (copper) network interface card (NIC); connects PCIe to Ethernet and IEEE 802.3 local area networks at 10, 100, or 1000 Mb/s. ¹
AD338A	Dual port fiber-optic network interface card (NIC) that connects PCIe to Ethernet and IEEE 802.3 local area networks at 10, 100, or 1000 Mb/s.
AD339A	HPE PCIe 4-port 1000Base-T Gigabit Adapter.
AD385A	Fiber-optic network interface card (NIC) that connects PCI-X systems to Ethernet and IEEE 802.3 local area networks at 10 Gb/s. ¹
NC364M	Quad port UTP (copper) network interface card (NIC); connects PCIe to Ethernet and IEEE 802.3 local area networks at 10, 100, or 1000 Mb/s
445978-B21	HPE BLc NC360m NIC Adapter Opt Kit.
445883-B21	HPE BLc NC364m NIC Adapter Opt Kit.

Fibre Channel Storage Options

AB378B	1-port 4Gb Fibre Channel adapter; connects PCI-X systems to a switched fabric up to 4Gb/s
AB379B	2-port 4Gb Fibre Channel adapter; connects Mezzanine Blade systems to a switched fabric up to 4Gb/s
AD300A	2-port 4Gb Fibre Channel adapter; connects PCI-E systems to a switched fabric up to 4Gb/s
AH400A	1-port 8Gb Fibre Channel adapter (Qlogic)
AH401A	2-port 8Gb Fibre Channel adapter (Qlogic)
B9F23A	1-port 16Gb Fibre Channel Host Bus Adapter
B9F24A	2-port 16Gb Fibre Channel Host Bus Adapter

¹ No boot support

Parallel SCSI Storage Options

A9890A	2-channel Smart Array 6402 RAID adapter that connects PCI-X systems to Ultra320 backplane RAID
A9891A	4-channel Smart Array 6404 RAID adapter that connects PCI-X systems to Ultra320 backplane RAID
A7173A	2-port Ultra320 SCSI adapter that connects PCI-X systems to U320 SCSI bus

Serial Attached SCSI (SAS) Storage Options

AB037A AB036A	8 internal port SAS Controller that connects PCI- X systems to the internal SAS disk. Supported as Core IO on rx2660, rx3600, rx6600, and BL860c. AB037A is the part number for the rx6600 2nd internal storage controller
AD397A, AD348A	8 internal port Smart Array P-400 RAID adapter that connects PCI-E systems to the internal SAS disk. Supported as alternate Core IO on rx2660, rx3600, and rx6600. AD397A is the part number for rx2660 alternate Core IO. AD348A is the part number for rx3600 and rx6600 alternate Core IO.
AD335A	16 internal/external port Smart Array P-800 RAID adapter that connects PCI-E systems to SAS backplane RAID.
AH303A	HPE SC44Ge Host Bus Adapter
508226-B21	P700m Smart Array Mezz card.

Storage and Network Combo Cards

AB290A	2-port U320 SCSI + 2-port 1000Base-T Combo Card PCI-X
AB465A	2-port 2GB Fibre Channel + 2-port 1000Base-T Combo Card PCI-X
A9782A	1-port 2GB Fibre Channel + 1-port 1000Base- SX Combo Card PCI-X
A9784A	2-port 2GB Fibre Channel + 2-port 1000Base-T Combo Card PCI-X
AD193A	1-port 4GB Fibre Channel + 1-port 1000Base-T Combo Card PCI-X
AD194A	2-port 4GB Fibre Channel + 2-port 1000Base-T Combo Card PCI-X
A9918A	1-port U320 SCSI + 1-port 1000Base-T Combo Card. Supported as Core IO on rx7620.

Parallel SCSI and SAS Storage Shelves²

MSA30 SB	14 disk Ultra320 single-bus enclosure
MSA30 DB	14 disk Ultra320 double-bus enclosure
MSA30MI	14 disk Ultra320 2-node Shared SCSI enclosure ²
MSA60	12 3.5" SAS disk storage enclosure
P700m	Smart Array Mezz card.
MSA70	25 SFF SAS disk storage enclosure
SB40c	Half-height c-Class storage Blade with 6 SFF SAS disk
D2600	12 LFF 6Gb SAS/SATA disk enclosure
D2700	25 SFF 6Gb SAS/SATA disk enclosure

² Shelf is supported only on Integrity servers rx2620, rx2660, rx3600, rx6600, rx2800i2 and rx2800i4.

Tape Devices

SDLT320	320GB SDLT Tape Drive
SDLT600	600GB SDLT Tape Drive
Ultrium 460	400GB LTO Ultrium 2 Tape Drive
Ultrium 448	400GB LTO Ultrium 2 Tape Drive
Ultrium 448c	400GB LTO Ultrium 2 Tape Blad
Ultrium 960	800GB LTO Ultrium 3 Tape Drive
Ultrium 920	800GB LTO Ultrium 3 Tape Drive
Ultrium 1760	LTO Ultrium 4 Tape Drive
Ultrium 1840	16TB LTO Ultrium 4 Tape Drive
Ultrium 3000	LTO Ultrium 5 Tape Drive
Ultrium 3280	LTO Ultrium 5 Tape Drive
Ultrium 6250	LTO Ultrium 6 Tape Drive
Ultrium 6650	LTO Ultrium 6 Tape Drive
DAT72	72GB DAT Tape Drive
DAT160	160GB DAT Tape Drive
1/8 Autoloader	Tape Autoloader
MSL2024	Ultrium Tape Library
MSL4048	Ultrium Tape Library
MSL8096	Ultrium Tape Library
ESL E-Series	Ultrium and SDLT Tape Library
EML E-Series	Ultrium Tape Library

Note: Compressed capacity; assumes 2:1 data compression.

Miscellaneous Options

AB552A	OpenVMS Keyboard and Mouse
A9803A	Management Processor Card (for out of band management and basic 2D graphics)
AB551A	Radeon 7500 Graphics 2D/3D Adapter
AD307A	HPE lights out advanced/KVM card. This card is supported on rx76xx, rx86xx, and Superdome.
A6869A	1-port VGA DB15 + 2-port USB 2.0 PCI Card. USB port is supported on rx76xx, rx86xx, and Superdome. VGA port is not supported.

Note: The preceding list changes frequently and is incomplete in terms of currently shipping I/O adapters, disk and tape devices.

APPENDIX B: OpenVMS for Integrity servers SAN Solutions

This appendix describes the SAN components supported on OpenVMS for Integrity servers. Please refer to VSI's web page at www.vmssoftware.com for storage options supported by VSI's OpenVMS.

Enterprise Storage Arrays**HPE**

EVA	StorageWorks Enterprise Virtual Array 8400, 8100, 8000, 6400, 6100, 6000, 6350, 5000, 4400, 4100, 4000, 3000
MSA	StorageWorks Modular Storage Array 1000, 1500 (Note: OpenVMS support for the MSA1500 requires a minimum MSA firmware of Version 7), MSA2000fc G2, P2000 G3 FC, P2000 G3, FC/iSCSI Combo (FC Connect)
XP	StorageWorks XP Storage Array 128/1024, 48/512, 10000/12000, 20000/24000, P9500
3PAR	3PAR StoreServ Storage Array 7200, 8200, 8400

DELL/EMC

VMAX 100k Flash Storage	PowerMax NVMe Storage	Unity Flash Storage
VMAX 100k	PowerMax 2000	350F
VMAX 200k	PowerMax 8000	450F
VMAX 400k		550F
VMAX 250F		650F
VMAX 250 FX		300F
VMAX 450F		400F
VMAX 450 FX		500F
VMAX 850F		600F
VMAX 850FX		300

Hitachi Vantara

VSP - Virtual Storage Platform	
VSP G Series	VSP F Series
Hitachi VSP G200	Hitachi VSP F400
Hitachi VSP G400	Hitachi VSP F600
Hitachi VSP G600	Hitachi VSP F800
Hitachi VSP G800	Hitachi VSP F1500
Hitachi VSP G1000	
Hitachi VSP G1500	

Infinidat - Storage Array

InfiniBox F-series
F2K
F4K
F6K

Kove

XPD
XPD L3

Pure Storage

FA Series	//m Series
FlashArray FA-405	FlashArray //m10
FlashArray FA-420	FlashArray //m20
FlashArray FA-450	FlashArray //m50
	FlashArray //m70
	FlashArray //m10

Adapters and Switches

MDR	StorageWorks Modular Data Router for connecting SCSI and FC tape devices to a FC switch.
NSR	StorageWorks Network Storage Router for connecting SCSI and FC tape devices to a FC switch.
DSGGA-AA/B	8/16-port Fibre Channel switch
DSGGD	16-port 2 GB Fibre Channel switch
B-Series, M-Series and C-Series Switches	SAN-based FC Switches as supported by HPE StorageWorks, new variants as available

SAN-attached Tape Libraries

EML-E Series	Enterprise Storage Library
ESL-E Series	Enterprise Storage Library
ESL9595	Enterprise Storage Library
ESL9322	Enterprise Storage Library
ESL9326	Enterprise Storage Library
ESL9198	Enterprise Storage Library
MSL2024	Business Class Library
MSL4048	Business Class Library
MSL8096	Business Class Library
MSL5000 Series	Modular Storage Library
MSL6000 Series	Modular Storage Library VLS
6000	Enterprise Virtual Tape Library

Note: OpenVMS supports both SDLT and Ultrium 460/960 tape drives within HPE StorageWorks Tape libraries.

For the latest HPE storage hardware device support with OpenVMS Version 8.4-2L1 on Integrity, please refer to the HPE SPOCK website:

<http://www.HPE.com/storage/spock>

Please refer to VSI's web page at www.vmssoftware.com for additional storage options supported by VSI's OpenVMS.

Abbreviations

APMP	Adaptive Partitioned Multiprocessing
ATA	AT/Attachment
ATAPI	ATA Packet Interface
COM	Component Object Model
DLT	Digital Linear Tape
DSSI	DIGITAL Storage Systems Interconnect
EISA	Extended Industry Standard Architecture
FDDI	Fiber Distributed Data Interface
FSE	Fast Single Ended (SCSI)
FWD	Fast-Wide Differential (SCSI)
GigE	Gigabit Ethernet
IDE	Integrated Device (or Drive) Electronics
IEEE	Institute of Electrical and Electronics Engineers
180277	Intel 82077 PC Compatible Floppy Interface
MSCP	Mass Storage Control Protocol
NCS	National Character Set
PCI	Peripheral Component Interconnect
QIC	Quarter Inch Cartridge
RAID	Redundant Array of Independent Disks
RMC	Remote Procedure Call
RMS	Record Management Services
SDI	Standard Drive Interface
SMP	Symmetric Multiprocessing
STI	Standard Tape Interface
TFF	Terminal Fallback Facility
TIE	Translated Image Environment
TMSCP	Tape Mass Storage Control Protocol
USB	Universal Serial Bus
VLM	Very Large Memory
XMI	Extended Memory Interconnect

SOFTWARE WARRANTY

This software product is provided by VSI with a 90-day conformance warranty in accordance with the VSI warranty terms applicable to the license purchase.

Revised July 2019. Copyright © 2019 VMS Software, Inc., Bolton Massachusetts, USA.

Confidential computer software. Valid license from VSI required for possession, use or copying. Consistent with FAR 12.211 and 12.212, Commercial Computer Software, Computer Software Documentation, and Technical Data for Commercial Items are licensed to the U.S. Government under vendor's standard commercial license.

The information contained herein is subject to change without notice. The only warranties for products and services are set forth in the express warranty statements accompanying such products and services. Nothing herein should be construed as constituting an additional warranty. VSI shall not be liable for technical or editorial errors or omissions contained herein.

Intel is a registered trademark of Intel Corporation or its subsidiaries in the United States and other countries.