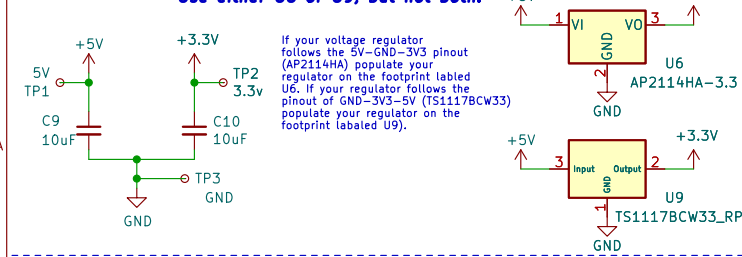
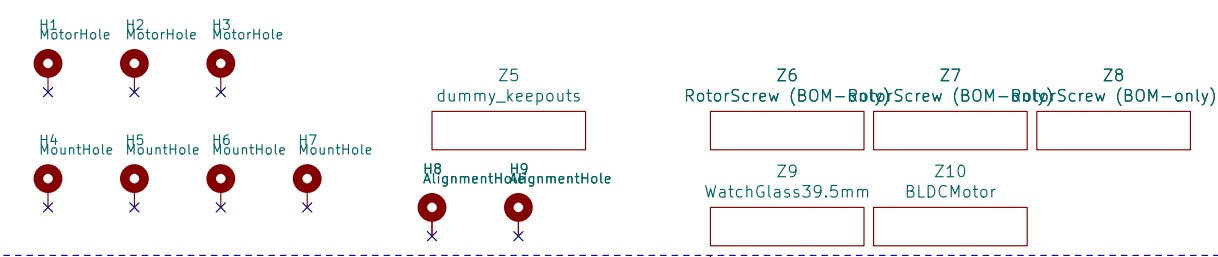


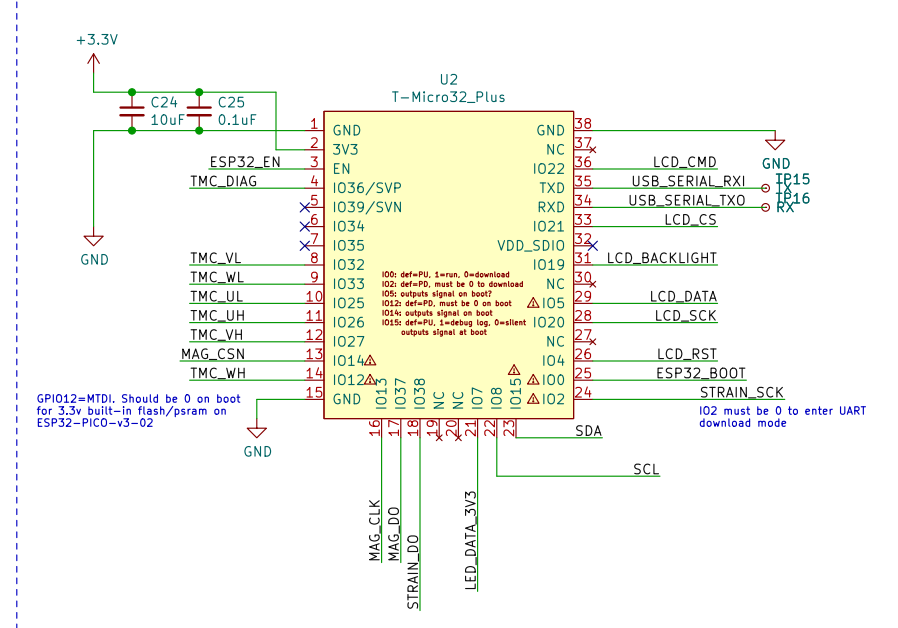
POWER



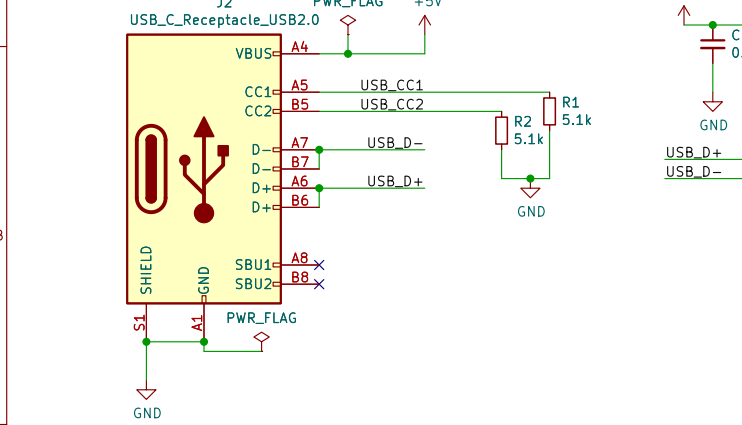
MECHANICAL/BOM-ONLY



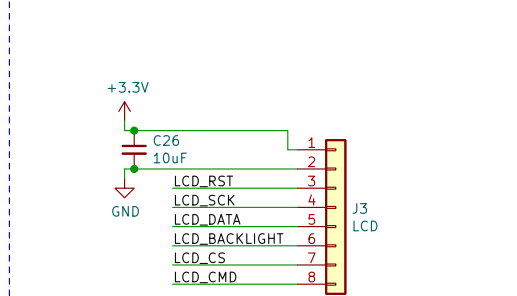
MCU - ESP32 (T-MICRO32 PLUS)



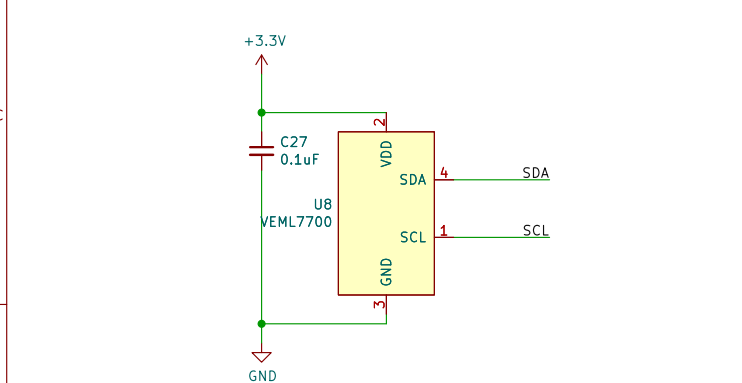
USB



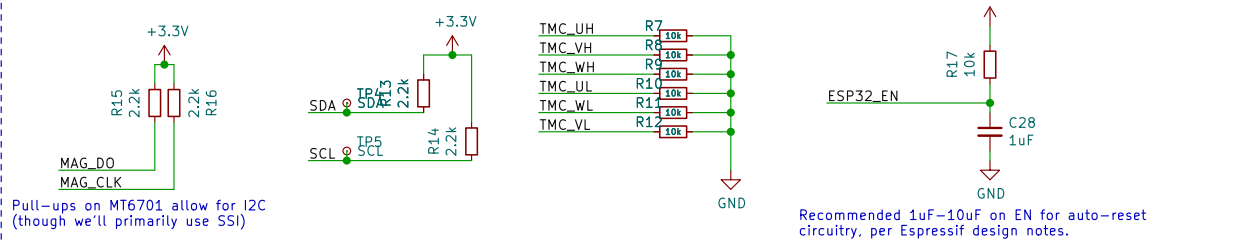
LCD CONNECTOR



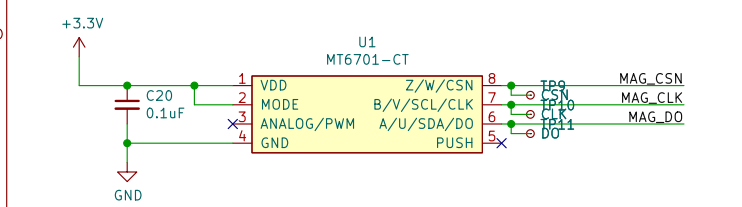
SENSOR - AMBIENT LIGHT



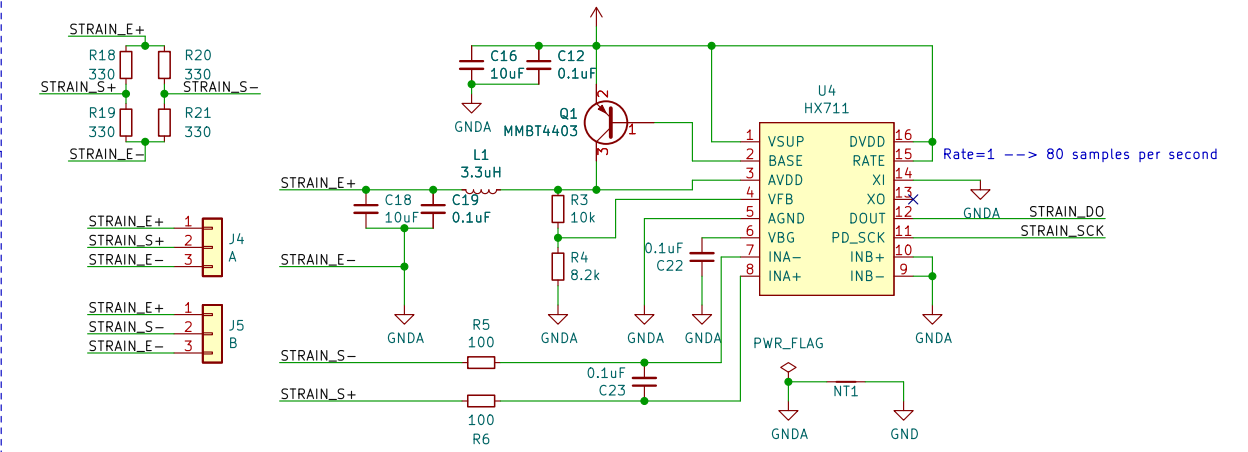
PULLUPS, PULLDOWNS



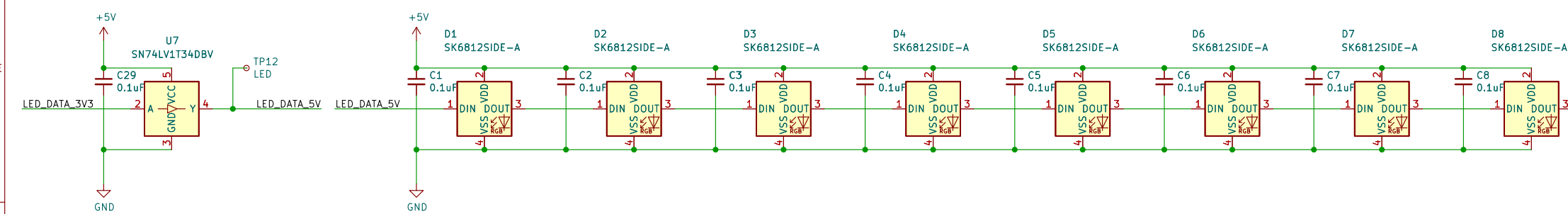
SENSOR - MAGNETIC ENCODER



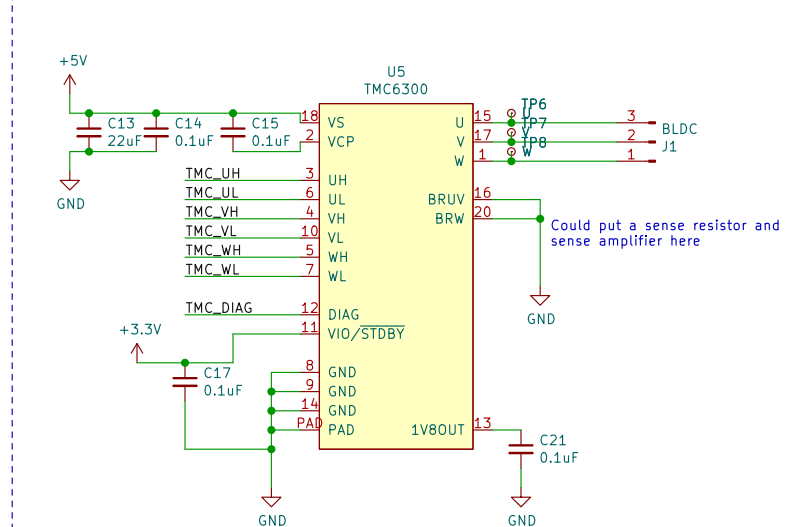
SENSOR - STRAIN



LEDS



MOTOR DRIVER



370b8ca  
2023-10-28 15:50:58 -0700

Scott Bezek  
Sheet: /  
File: view\_base.kicad\_sch

Title: SmartKnob View

Size: B Date:  
KiCad E.D.A. eeschema 6.0.11+dfsg-1

Rev: v#.#  
Id: 1/1