

PriorFire Retrofit inspection form

Fill the fireplace measurements into the form below. Notice the minimum and maximum measurements required

Customers Name: _____

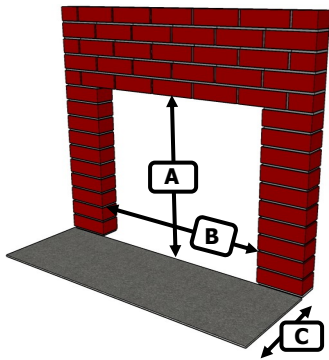
Date: / /

Address: _____

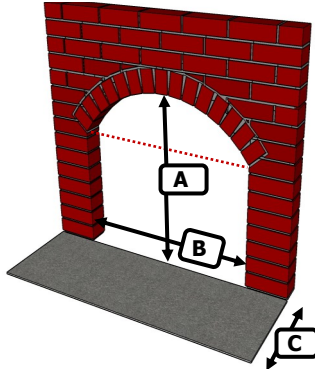
Phone: () - - Email: _____

Measure the height and width of the opening and the width and depth of the hearth extension

Rectangle opening



*Arched opening



Location	(original) P-24	(XL) P-33	(XL Tall) P-33T
A Maximum	30"	30"	34"
A Minimum	24"	24"	28"
B Maximum	41"	50"	50"
B Minimum	30"	36"	36"
C Minimum	16"	20"	20"

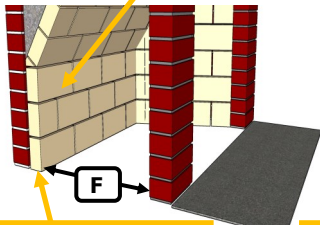
* With an arched opening measure at the center

Measure the interior of the fireplace.

It is likely that the damper frame and some or all of the firebox will need to be removed

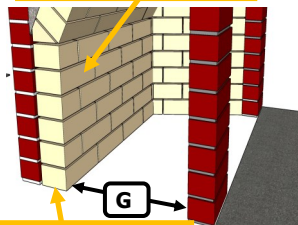
Total firebox depth measurement from behind the face

Firebrick in shiner position



Add 2 1/2" to the depth measurement

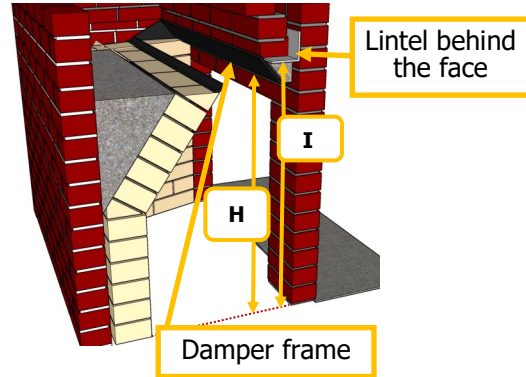
Firebrick in stretcher position



Add 4 1/2" to the depth measurement

P-24	(XL) P-33	(XL Tall) P-33T
Location	Total depth	Minimum total depth
F. <input type="text"/> + 2 1/2" = <input type="text"/>	<input type="text"/>	22" minimum
G. <input type="text"/> + 4 1/2" = <input type="text"/>	<input type="text"/>	22" minimum

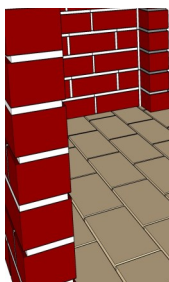
Height from floor to base of damper assembly and to the bottom of the lintel up behind the face



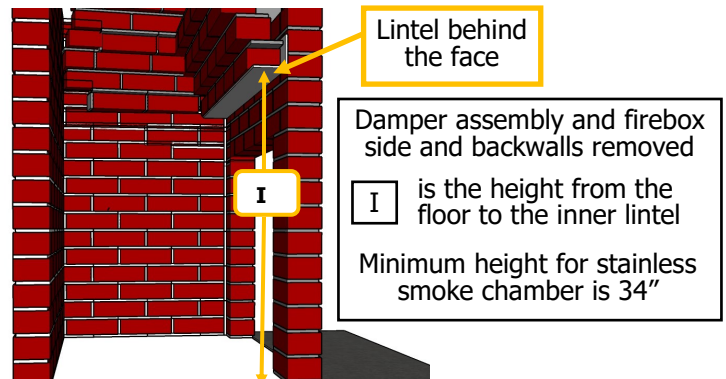
Minimum Height		
Location	P-24 (XL) P-33	(XL Tall) P-33T
H. <input type="text"/>	30" after removal	34" after removal
I. <input type="text"/>	34"	38"

Hearth and hearth extension height

If the hearth extension is higher than the hearth floor, the hearth floor needs to be built up to the same height as the hearth extension



Hearth extension height as compared to the inner hearth floor height



Flue details		
	P-24 (XL) P-33	(XL Tall) P-33T
Minimum flue size	8" or 50 in ²	9" or 63 in ²
Flue Type	Flue Size	Flue Offset
Flue tile <input type="checkbox"/>	<input type="checkbox"/>	Left <input type="checkbox"/>
Unlined <input type="checkbox"/>		Right <input type="checkbox"/>
Other <input type="checkbox"/>		Back <input type="checkbox"/>
		Other <input type="checkbox"/>
Height base of flue to floor <input type="checkbox"/>		Total flue height <input type="checkbox"/>

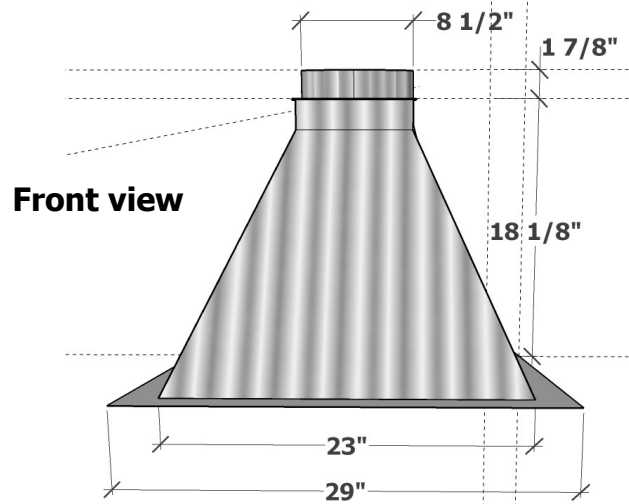
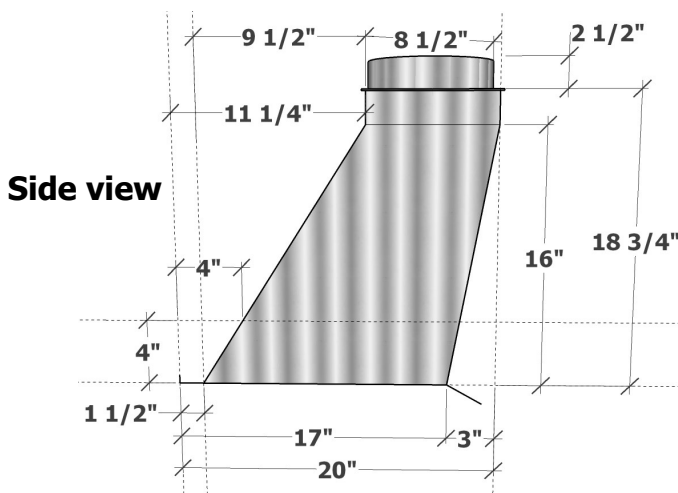
Smoke Chamber Details

It is very important that there is a smooth transition from the top of the PriorFire Retrofit firebox to the base of the flue liner

There are two methods to deal with the smoke chamber

- Form the shape of the smoke chamber by parging with Formula 51
- Install the optional stainless steel smoke chamber with a liner system.
8" for the P-24 and (XL) P-33 units
9" for the (XL Tall) P-33T

P-24 Stainless Steel Smoke Dome Details



(XL) P-33 Stainless Steel Smoke Dome Details

