



US00D758680S

(12) **United States Design Patent**  
**Hoffman et al.**

(10) **Patent No.:** **US D758,680 S**

(45) **Date of Patent:** **\*\* Jun. 7, 2016**

(54) **SWIMSUIT WATER EXTRACTOR**  
(71) Applicant: **Extractor Corporation**, South Elgin, IL (US)  
(72) Inventors: **Lindsay A. Hoffman**, Sycamore, IL (US); **Hugh J. Hoffman**, South Elgin, IL (US); **Steven C. Slowik**, Wheeling, IL (US); **Michael J. Scola**, Roselle, IL (US)

D514,757 S \* 2/2006 Roberts ..... D32/8  
D521,197 S \* 5/2006 Kim ..... D32/8  
D599,510 S \* 9/2009 Monson ..... D32/8  
D622,456 S \* 8/2010 Kim ..... D32/8  
D637,369 S \* 5/2011 Mangano ..... D32/8  
D638,592 S \* 5/2011 Suh ..... D32/8  
D643,165 S \* 8/2011 Song ..... D32/8  
D644,383 S \* 8/2011 Mangano ..... D32/8  
D663,495 S \* 7/2012 Song ..... D32/8

\* cited by examiner

(73) Assignee: **Extractor Corporation**, South Elgin, IL (US)

*Primary Examiner* — Michael A Pratt  
*Assistant Examiner* — Michelle E Wilson

(\*\*) Term: **14 Years**

(74) *Attorney, Agent, or Firm* — Erickson Law Group, PC

(21) Appl. No.: **29/510,349**

(57) **CLAIM**

The ornamental design for a swimsuit water extractor, as shown and described.

(22) Filed: **Nov. 26, 2014**

**DESCRIPTION**

(51) **LOC (10) Cl.** ..... **15-05**

(52) **U.S. Cl.**  
USPC ..... **D32/8**

(58) **Field of Classification Search**  
USPC ..... D32/1, 6, 8, 25, 15-16  
CPC ..... D06F 58/00; D06F 58/02; D06F 58/04;  
D06F 58/20  
See application file for complete search history.

FIG. 1 is a perspective view of a swimsuit water extractor of the invention.

FIG. 2 is a front view of the swimsuit water extractor of FIG. 1.

FIG. 3 is a top view of the swimsuit water extractor of FIG. 1.

FIG. 4 is a rear view of the swimsuit water extractor of FIG. 1.

FIG. 5 is a bottom view of the swimsuit water extractor of FIG. 1.

FIG. 6 is a right side view of the swimsuit water extractor of FIG. 1; and,

FIG. 7 is a left side view of the swimsuit water extractor of FIG. 1.

The broken lines in the FIGS. 1, 4 and 5 illustrate portions of the swimsuit water extractor which form no part of the claimed design.

(56) **References Cited**

U.S. PATENT DOCUMENTS

D181,297 S \* 10/1957 Krynski ..... D32/8  
D198,706 S \* 7/1964 Jennings ..... D32/8  
D277,131 S \* 1/1985 Shames ..... D23/393  
D299,569 S \* 1/1989 Davis ..... D32/8  
4,918,290 A \* 4/1990 DeMars ..... F26B 9/003  
219/386  
D332,329 S \* 1/1993 Hood ..... D32/8  
D465,307 S \* 11/2002 Du ..... D32/6

**1 Claim, 4 Drawing Sheets**

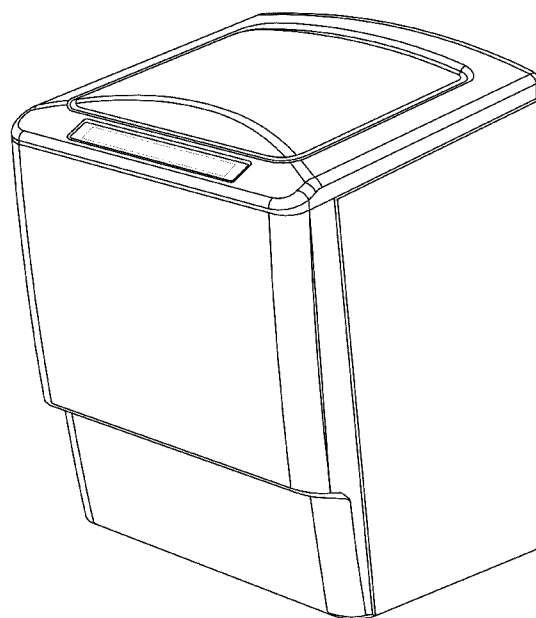
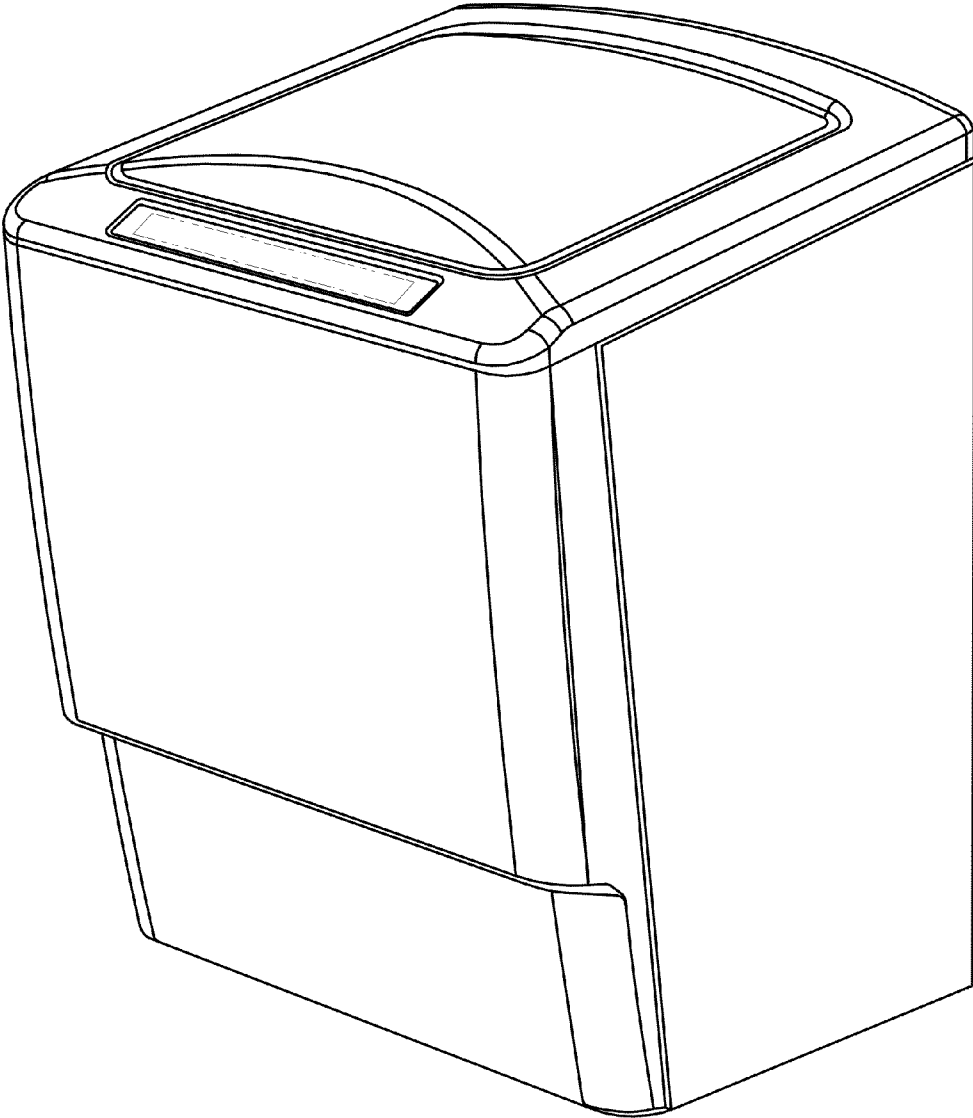


FIG. 1



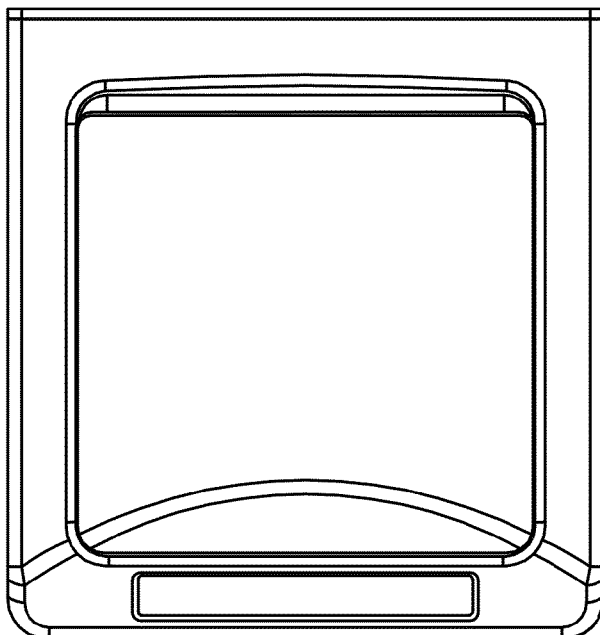


FIG. 3

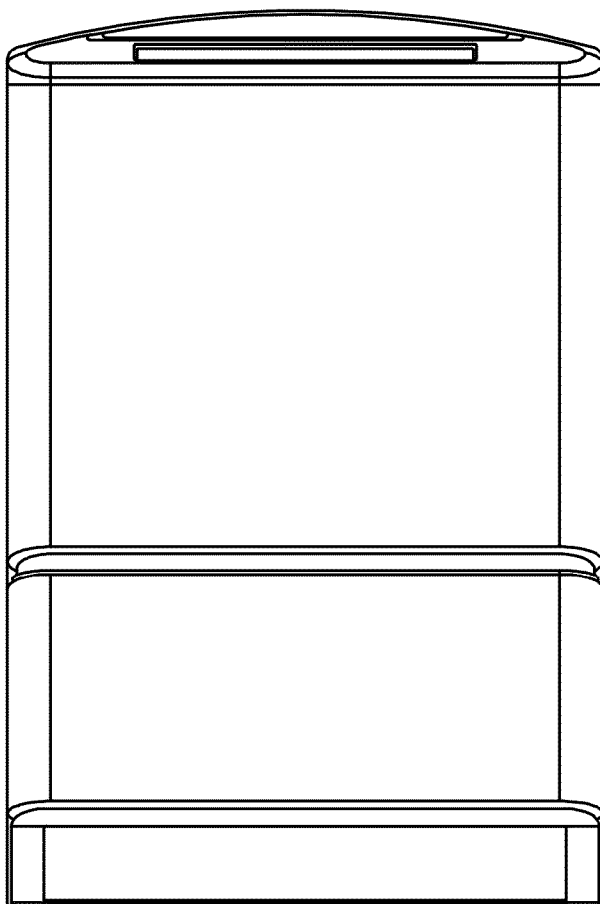


FIG. 2



FIG. 4

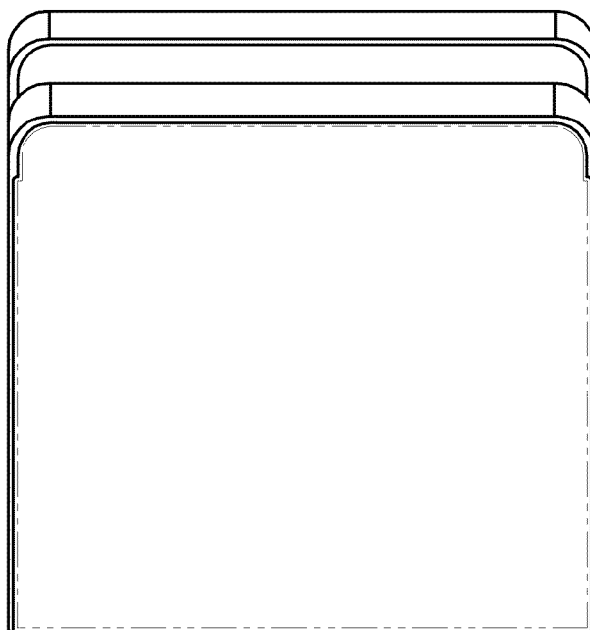


FIG. 5

FIG. 7

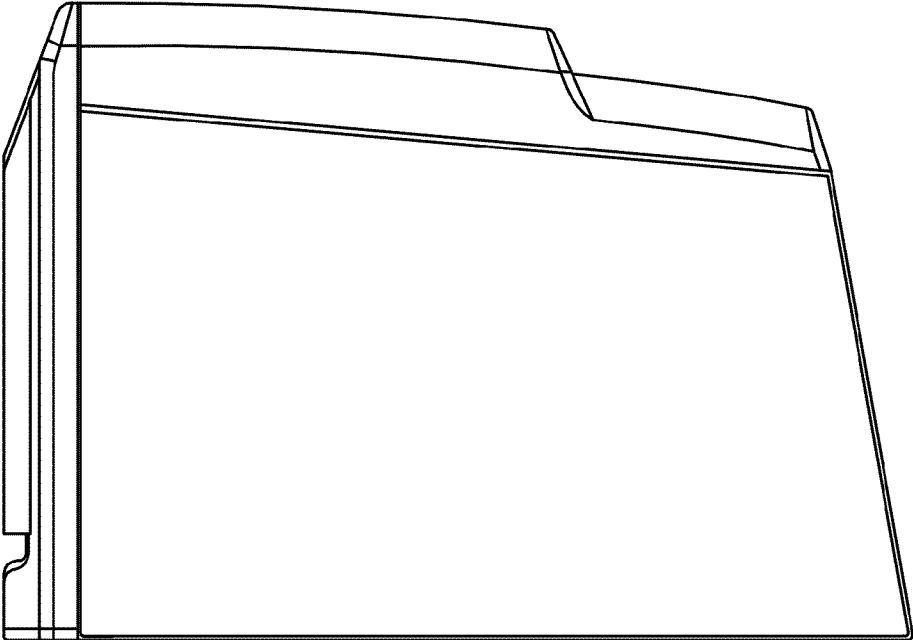


FIG. 6

