



US00D484710S

(12) **United States Design Patent** (10) **Patent No.:** **US D484,710 S**
Getzel (45) **Date of Patent:** **** Jan. 6, 2004**

(54) **CHAIR**
(75) **Inventor:** **Stefano Getzel, Maggiore Montecchio (IT)**
(73) **Assignee:** **Luxy Italia, SRL, Vincenza (IT)**
(**) **Term:** **14 Years**

D400,018 S * 10/1998 James et al. D6/366
D417,102 S * 11/1999 Vanderwood et al. D6/500
D422,802 S * 4/2000 Deacon D6/366
D430,746 S * 9/2000 Gagnon et al. D6/366
D434,238 S * 11/2000 Tseng D6/366
D445,580 S * 7/2001 Pennington et al. D6/366
D446,413 S * 8/2001 Skalka D6/500
D452,092 S * 12/2001 Tseng D6/500

(21) **Appl. No.:** **29/156,515**
(22) **Filed:** **Mar. 1, 2002**

OTHER PUBLICATIONS

JDS International, Special NeoCon 2000 brochure, shield chair at bottom (as marked).*

(51) **LOC (7) Cl.** **06-01**
(52) **U.S. Cl.** **D6/366**
(58) **Field of Search** D6/334, 364, 365,
D6/366, 367, 500, 501, 502; 297/411.2,
411.27, 411.28, 411.36

* cited by examiner

Primary Examiner—Gary D. Watson
(74) *Attorney, Agent, or Firm*—R. Neil Sudol; Henry D. Coleman; William J. Sapone

(56) **References Cited**

(57) **CLAIM**

The ornamental design for chair, as shown and described.

U.S. PATENT DOCUMENTS

DESCRIPTION

D291,509 S * 8/1987 Sapper D6/366
D295,467 S * 5/1988 Bellini D6/366
D301,662 S * 6/1989 Vonhausen D6/366
D322,898 S * 1/1992 Zapf D6/366
D327,781 S * 7/1992 Citterio D6/366
D327,782 S * 7/1992 Citterio D6/366
D330,808 S * 11/1992 Citterio D6/366
D353,268 S * 12/1994 Ambasz D6/366
D355,303 S * 2/1995 Scheper et al. D6/366
D372,799 S * 8/1996 Orians et al. D6/366
D390,712 S * 2/1998 Koepke et al. D6/366
D391,424 S * 3/1998 Rafferty D6/500

FIG. 1 is a front elevational view of a first embodiment of a chair, showing my new design;
FIG. 2 is a right side elevational view thereof, the left side being a mirror image of the right side;
FIG. 3 is a rear elevational view thereof;
FIG. 4 is a front, top, and right side perspective view thereof;
FIG. 5 is a top perspective view thereof; and,
FIG. 6 is a bottom perspective view thereof.

1 Claim, 1 Drawing Sheet



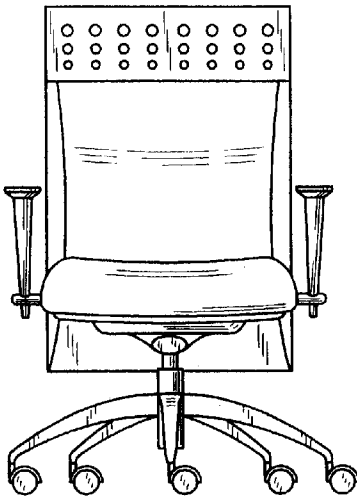


FIG. 1

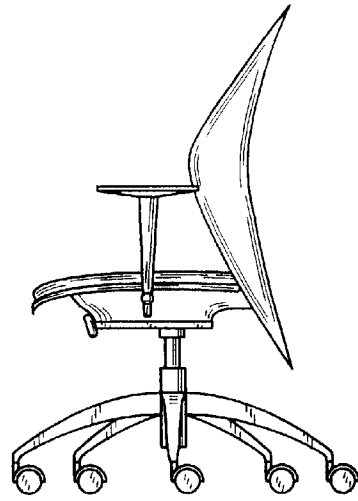


FIG. 2

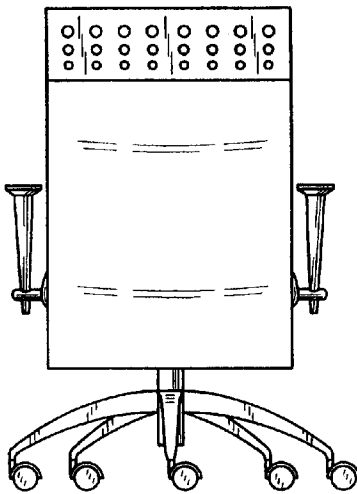


FIG. 3



FIG. 4

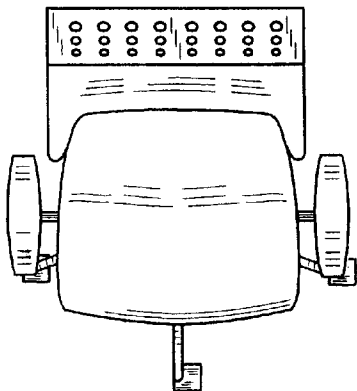


FIG. 5

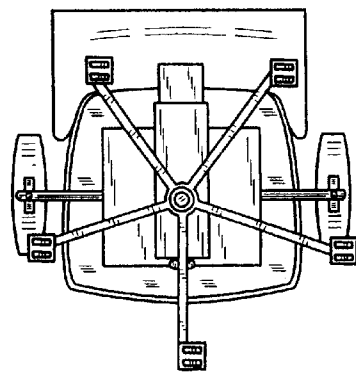


FIG. 6