



US00D822871S

(12) **United States Design Patent**  
**Levy et al.**

(10) **Patent No.:** **US D822,871 S**  
(45) **Date of Patent:** **\*\* Jul. 10, 2018**

- (54) **LIGHTING DEVICE**
- (71) Applicant: **PHILIPS LIGHTING HOLDING B.V.**, Eindhoven (NL)
- (72) Inventors: **Jonathan Levy**, Burlington, MA (US); **Zachary Wessner**, Burlington, MA (US); **Maria Belorukova**, Burlington, MA (US)
- (73) Assignee: **PHILIPS LIGHTING HOLDING B.V.**, Eindhoven (NL)
- (\*\*) Term: **15 Years**
- (21) Appl. No.: **29/603,208**
- (22) Filed: **May 8, 2017**
- (51) **LOC (11) Cl.** ..... **26-04**
- (52) **U.S. Cl.**  
USPC ..... **D26/76**
- (58) **Field of Classification Search**  
USPC ..... D26/76, 78, 79, 80, 81, 82, 83, 85, 86, D26/88, 90, 113, 118, 119, 120, 121, 122, D26/138, 139, 140, 141, 142, 152  
CPC ..... F21S 2/00; F21S 4/00; F21S 4/003; F21S 4/005; F21S 4/006; F21S 4/007; F21S 4/008; F21S 6/00; F21S 8/00; F21S 8/024; F21S 8/026; F21S 8/031; F21S 8/033; F21S 8/035-8/037; F21S 8/04; F21S 8/043; F21S 8/063  
See application file for complete search history.

D580,583 S *	11/2008	Pfund	.....	D26/76
D602,189 S *	10/2009	Zambelli	.....	D26/76
D636,504 S *	4/2011	Duster	.....	D26/3
D645,193 S *	9/2011	Chung	.....	D26/75
D662,245 S *	6/2012	Steffy	.....	D26/75
D663,065 S *	7/2012	Beghelli	.....	D26/76
D667,157 S *	9/2012	Ferguson	.....	D26/76
D695,443 S *	12/2013	Kaule	.....	D26/76
D749,257 S *	2/2016	Arndt	.....	D26/76
D774,682 S *	12/2016	Chen	.....	D26/85
D803,454 S *	11/2017	Lockart	.....	D26/76

\* cited by examiner

*Primary Examiner* — George D. Kirschbaum  
*Assistant Examiner* — Natasha Vujcic

(57) **CLAIM**

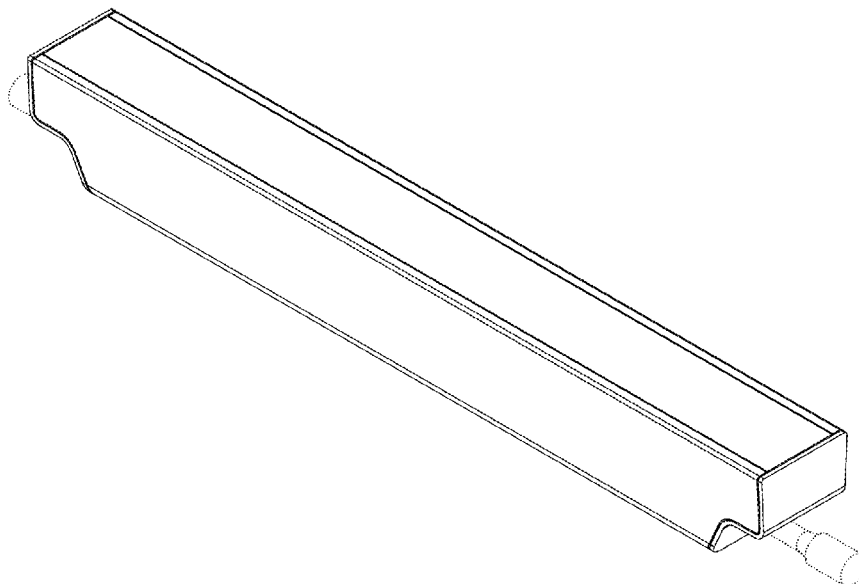
The ornamental design of a lighting device, as shown and described.

**DESCRIPTION**

FIG. 1 is a perspective view of a lighting device, illustrating the present invention;  
 FIG. 2 is a left side elevation view of the lighting device, illustrating the present invention;  
 FIG. 3 is a right side elevation view of the lighting device, illustrating the present invention;  
 FIG. 4 is a front view of the lighting device, illustrating the present invention;  
 FIG. 5 is a rear view of the lighting device, illustrating the present invention;  
 FIG. 6 is a top view of the lighting device, illustrating the present invention; and,  
 FIG. 7 is a bottom view of the lighting device, illustrating the present invention.  
 The broken lines in the drawings illustrate portions of the lighting device which forms no part of the claimed design.

**1 Claim, 7 Drawing Sheets**

- (56) **References Cited**  
U.S. PATENT DOCUMENTS  
2,474,308 A \* 6/1949 Franck ..... F21S 8/04 362/224  
D476,753 S \* 7/2003 Chelf ..... D26/3



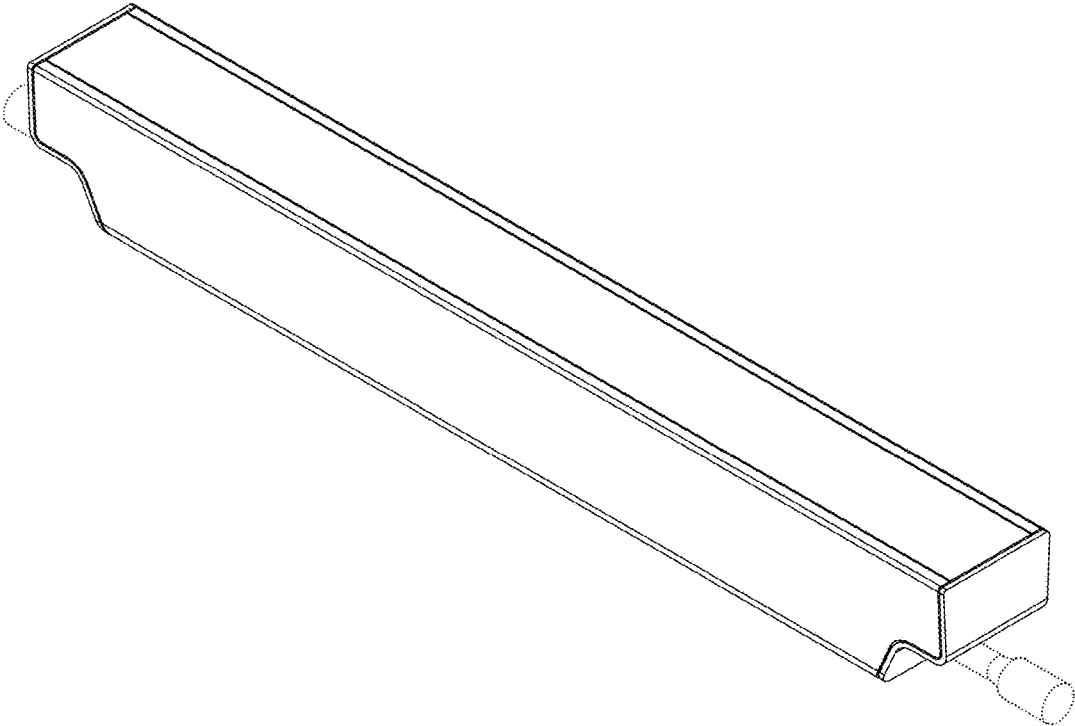


Fig. 1

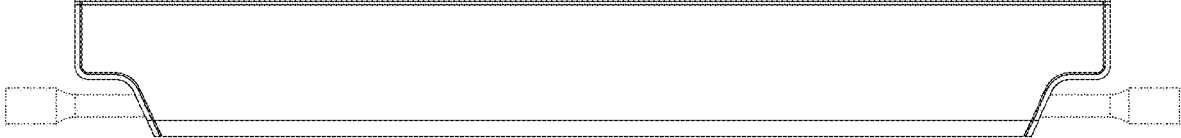


Fig. 2

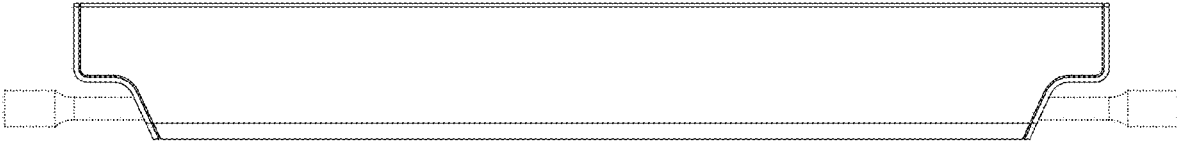


Fig. 3

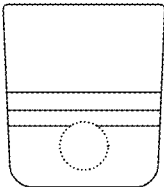


Fig. 4

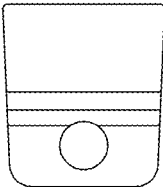


Fig. 5

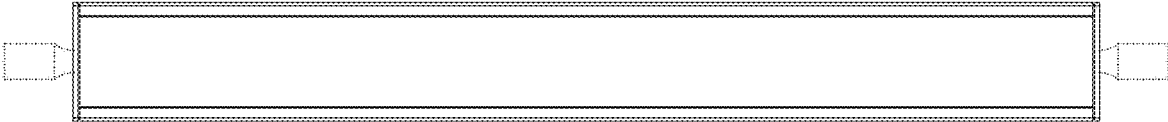


Fig. 6

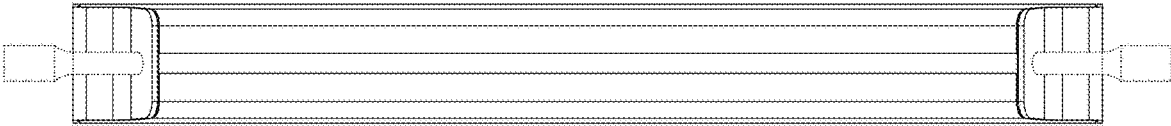


Fig. 7