



US0D1035986S

(12) **United States Design Patent**
Hoover et al.

(10) **Patent No.:** **US D1,035,986 S**
(45) **Date of Patent:** **** Jul. 16, 2024**

(54) **LIGHTING FIXTURE**
(71) Applicant: **Kohler Co.**, Kohler, WI (US)
(72) Inventors: **Erin Leigh Hoover**, New York, NY (US); **Nicholas Robert Rindt**, Grafton, WI (US); **Dennis Lee Snyder**, Avon Lake, OH (US); **Seth M. Stevens**, Los Angeles, CA (US); **Maxwell Wasscher**, Grafton, WI (US); **Luke James Worth**, Sheboygan, WI (US); **Jovello Tijano Gomez, Jr.**, Sheboygan, WI (US)

D330,947 S 11/1992 Donato et al.
D333,011 S 2/1993 Ewing et al.
5,406,466 A 4/1995 Stokes
D368,974 S 4/1996 Belisle
D404,168 S 1/1999 Dolan
D425,236 S 5/2000 Porter et al.
D436,418 S 1/2001 Porter
D461,580 S * 8/2002 Hsu D26/85
D467,677 S * 12/2002 Ries D26/88
D588,298 S 3/2009 Sabernig
D588,299 S 3/2009 Sabernig
D592,792 S 5/2009 Keller
7,988,327 B1 8/2011 Knoble et al.

(Continued)

(73) Assignee: **Kohler Co.**, Kohler, WI (US)

(**) Term: **15 Years**

(21) Appl. No.: **29/886,880**

(22) Filed: **Mar. 14, 2023**

Related U.S. Application Data

(62) Division of application No. 29/744,909, filed on Jul. 31, 2020, now Pat. No. Des. 994,190.

(51) **LOC (14) Cl.** **26-05**

(52) **U.S. Cl.**
USPC **D26/155**

(58) **Field of Classification Search**
USPC D26/63, 86, 87, 92, 141, 142, 155
CPC .. F21S 8/033; F21S 8/036; F21S 8/043; F21S 8/046; F21S 8/06; F21S 8/061; F21S 8/063; F21S 8/065
See application file for complete search history.

(56) **References Cited**

U.S. PATENT DOCUMENTS

D48,158 S * 11/1915 Morrell D26/92
D76,555 S * 10/1928 Schlepp D26/141
D304,768 S 11/1989 Dicola
D320,461 S 10/1991 Pagani et al.

OTHER PUBLICATIONS

Ivars, Wall Lamps pair, brass/glass, second half of the 20th century. Available at auctionet.com. Site visited Mar. 12, 2024. (Year: 1999).*

(Continued)

Primary Examiner — Clare E Heflin

(74) *Attorney, Agent, or Firm* — Lempia Summerfield Katz LLC

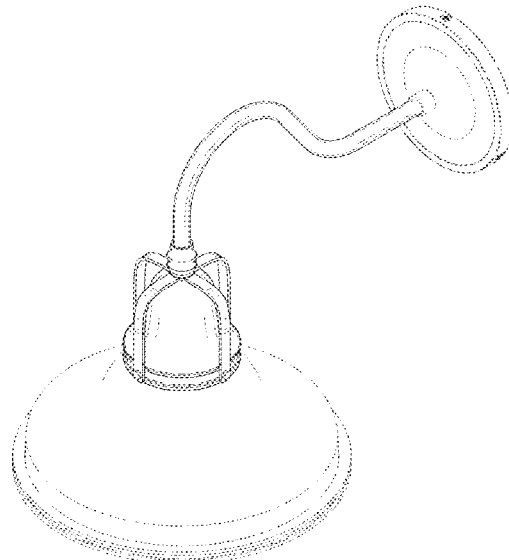
(57) **CLAIM**

The ornamental design for a lighting fixture, as shown and described.

DESCRIPTION

FIG. 1 is a perspective view of the claimed design;
FIG. 2 is a front view thereof;
FIG. 3 is a rear view thereof;
FIG. 4 is a side view thereof;
FIG. 5 is another side view thereof;
FIG. 6 is a top view thereof; and,
FIG. 7 is a bottom view thereof.
The broken lines shown in the drawings depict portions of the lighting fixture that form no part of the claimed design.

1 Claim, 7 Drawing Sheets



(56)

References Cited

U.S. PATENT DOCUMENTS

D667,161 S	9/2012	Chen	
D713,590 S	9/2014	Orozco	
D803,460 S	11/2017	Engle et al.	
D829,360 S	9/2018	Mou	
D829,361 S	9/2018	Deng	
D869,734 S	12/2019	Babutzka	
D882,149 S	4/2020	Lin	
D888,319 S	6/2020	Amato et al.	
11,304,274 B1	4/2022	Fu et al.	
D959,042 S *	7/2022	Orozco	D26/88
D959,724 S	8/2022	Hoover et al.	
D966,595 S	10/2022	Rindt et al.	
D970,085 S	11/2022	Hoover et al.	
11,536,420 B1	12/2022	Glazer et al.	
D982,215 S *	3/2023	Hoover	D26/87
D984,713 S *	4/2023	Liu	D26/72
D994,190 S *	8/2023	Hoover	D26/86
D997,090 S *	8/2023	Liu	D13/102
D999,965 S *	9/2023	Zhang	D26/87

OTHER PUBLICATIONS

Eloise Ceramic Sconce by Regina Andrew Detroit, Item: 15-1124WT. Available at reginaandrew.com. Site visited Mar. 12, 2024. (Year: 2024).*

Classical Brass Simplicity Small Wall Lamp. ASIN: B0CPS86KYS. Date first available at amazon.com—Dec. 8, 2023. (Year: 2023).*

Barn Light Electric Drum Schoolhouse Gooseneck Light. Available at barnlight.com, site visited Mar. 12, 2024. (Year: 2024).*

Dino 2-Light Stem Mount Pendant Light. Available at barnlight.com as early as Jul. 5, 2015. (Year: 2015).

Progress Lighting Archie Wall Sconce, Model No. P29879-74 Spec Sheet dated Oct. 2015. From progresslighting.com (Year: 2015).

Quoizel Grant Mini Pendant Ceiling Lighting. 1-Light, Model No. GRTS2814PN. ASIN: B07MJD1D25. Date first available at amazon.com—Jan. 8, 2019. (Year: 2019).

Golden Lighting Duncan Single Light 9" Tall Bathroom Sconce, Model: 3602-BA1 PW-SF. Available from build.com as early as Mar. 18, 2019. (Year: 2019).

Hinkley Lighting Rowan 1 Light 8" Tall Bathroom Sconce with Polished White Metal Shade, Model: 5810CM. Available from build.com as early as Mar. 18, 2021. (Year: 2021).

Hauksbee 3-Light Pendant with Metal Shade, Model No. Modle #K-32290-PE03-WCL. Available at homedepot.com as early as May 1, 2021. (Year: 2021).

Warehouse 2-Light Stem Hung Pendant Light, Model No. 12131MSD182-50-T48-W12. Available at southernlightsinc.com. Site visited Mar. 30, 2023. (Year: 2023).

Goalplus—Gooseneck Barn Light Fixture, ASIN: B07WFDZW5Y. Available from amazon.com Aug. 13, 2019. (Year: 2019).

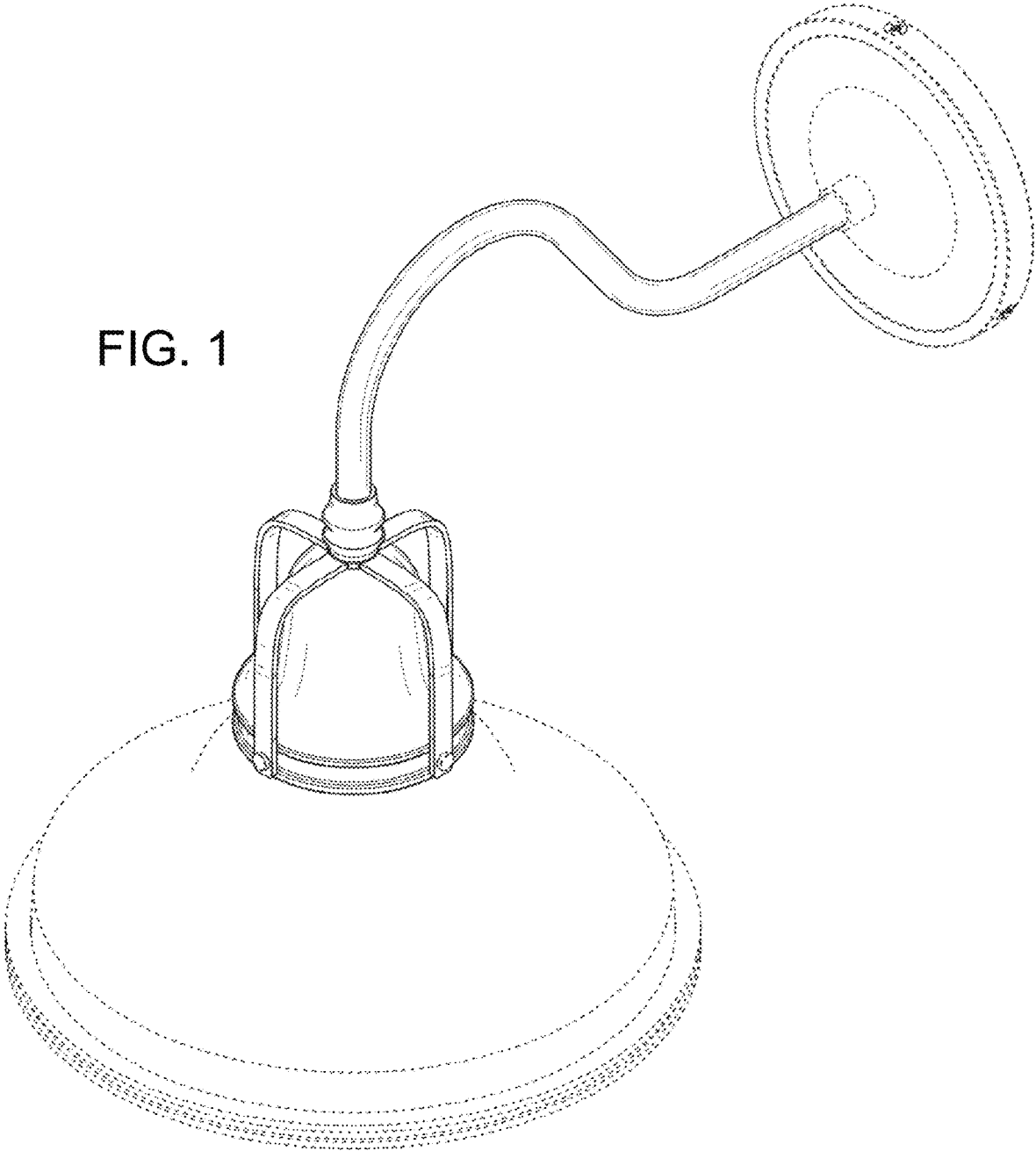
Progress Lighting—Outdoor Barn Light, Model No. P5623-20. ASIN: B01AISHHCC. Available from amazon.com Jan. 12, 2016. (Year: 2016).

Designers Fountain—Bayport Outdoor Wall Sconce, model No. 31331-BZ. ASI N: BOOEHFQGXK available from amazon.com Mar. 21, 2009. (Year: 2009).

Hinkley—Troyer Collection One Light Outdoor Wall Fixture. ASIN: B073X6J HML available from amazon.com Jul. 22, 2017. (Year: 2017).

* cited by examiner

FIG. 1



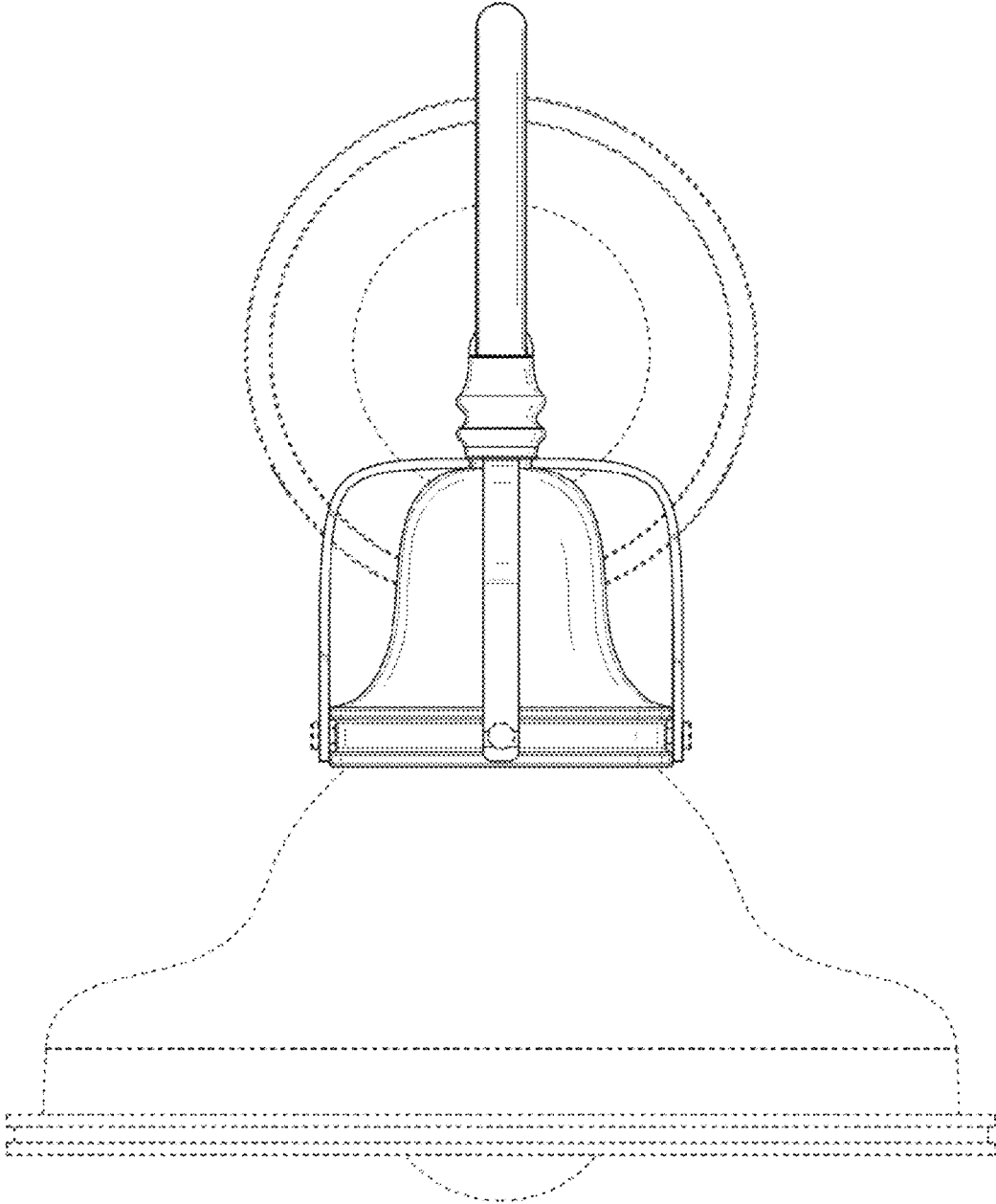


FIG. 2

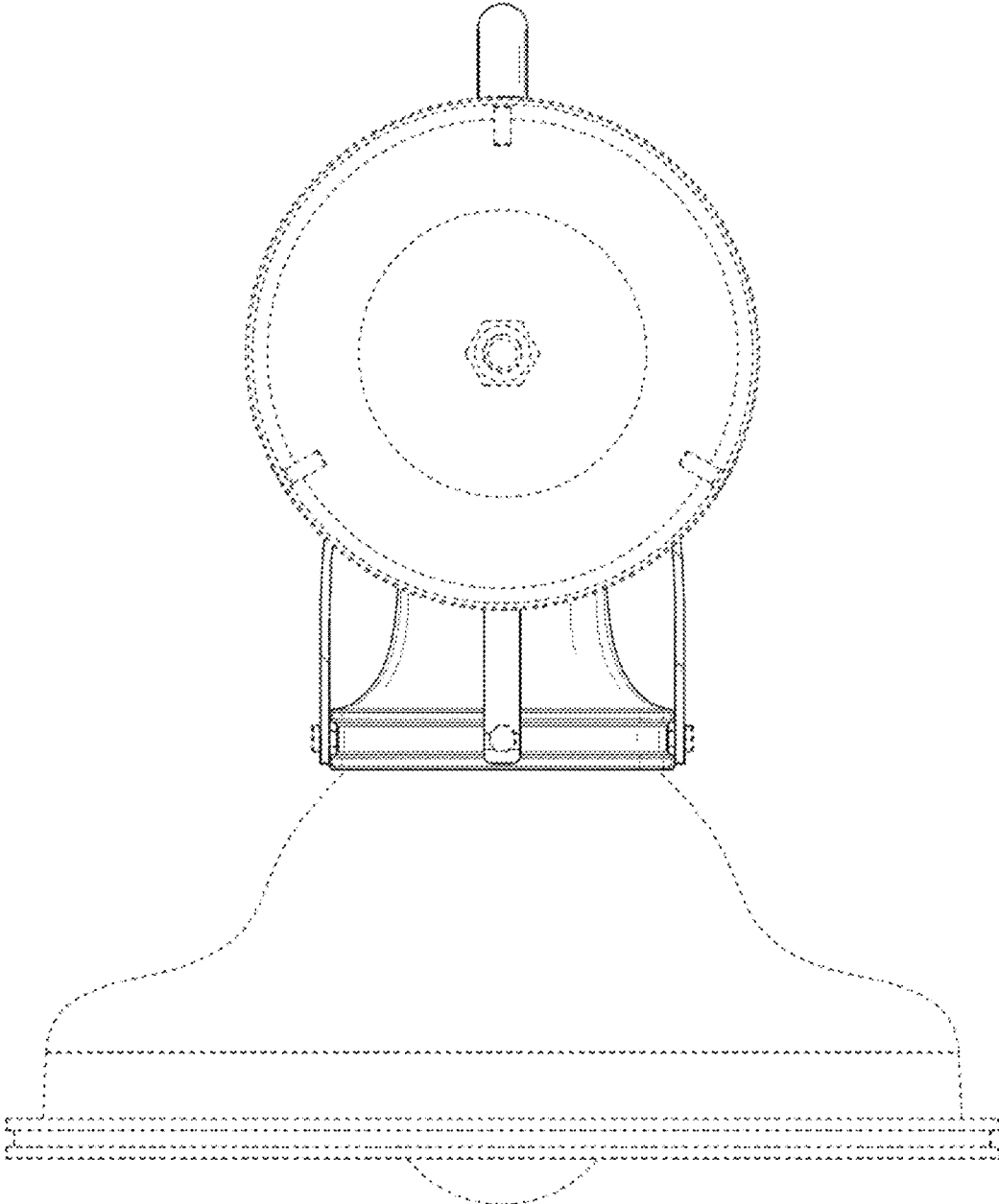


FIG. 3

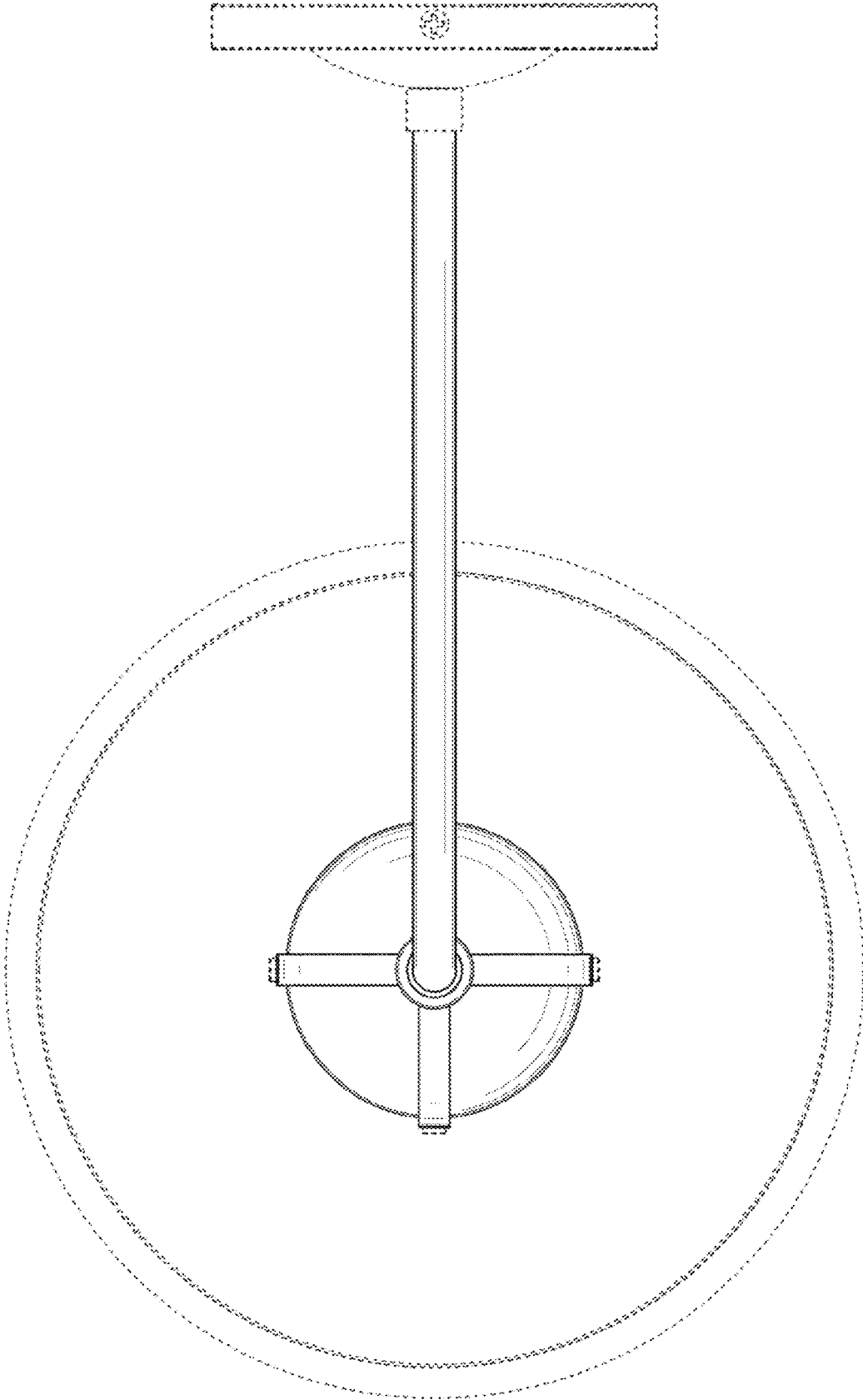


FIG. 4

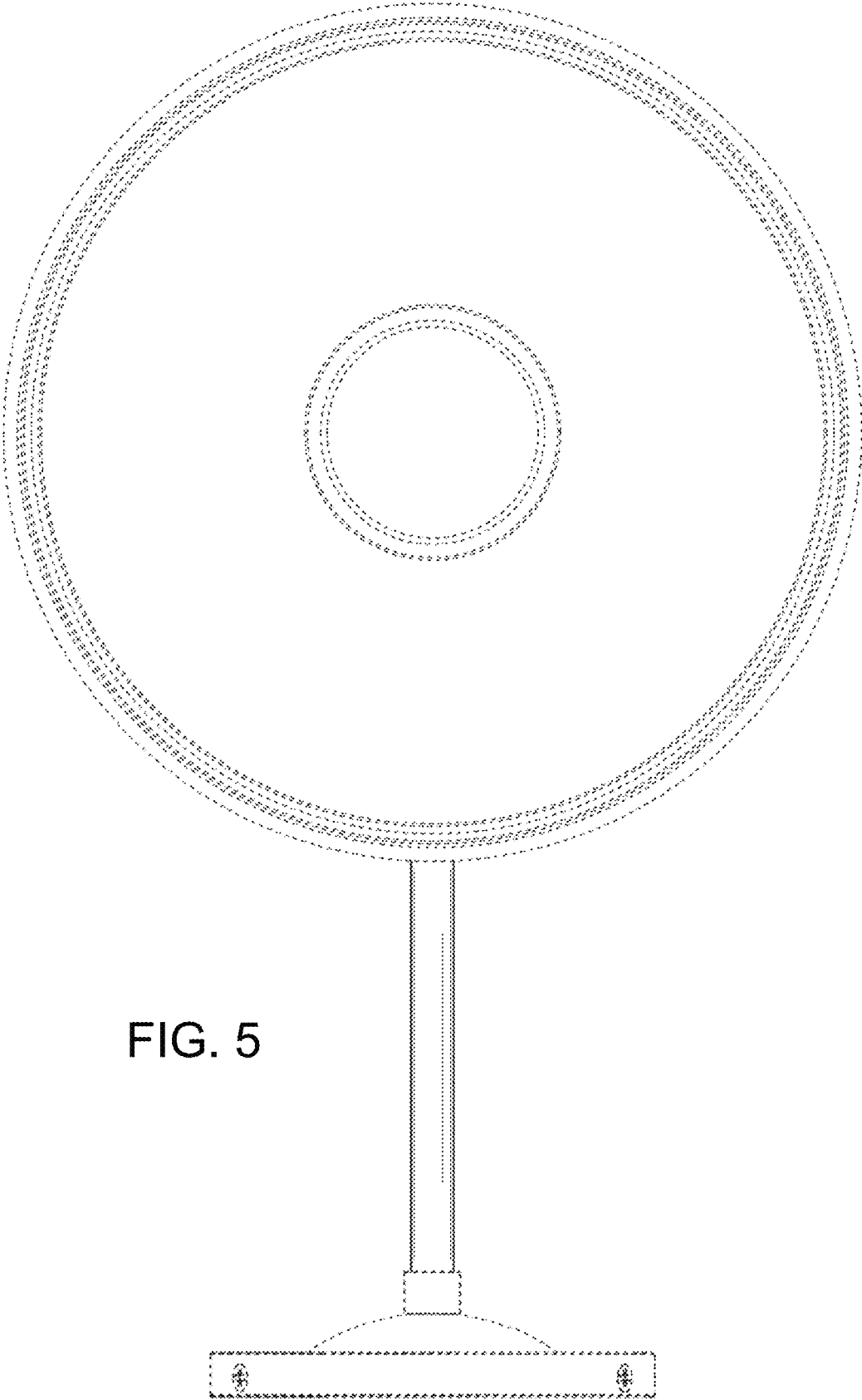


FIG. 5

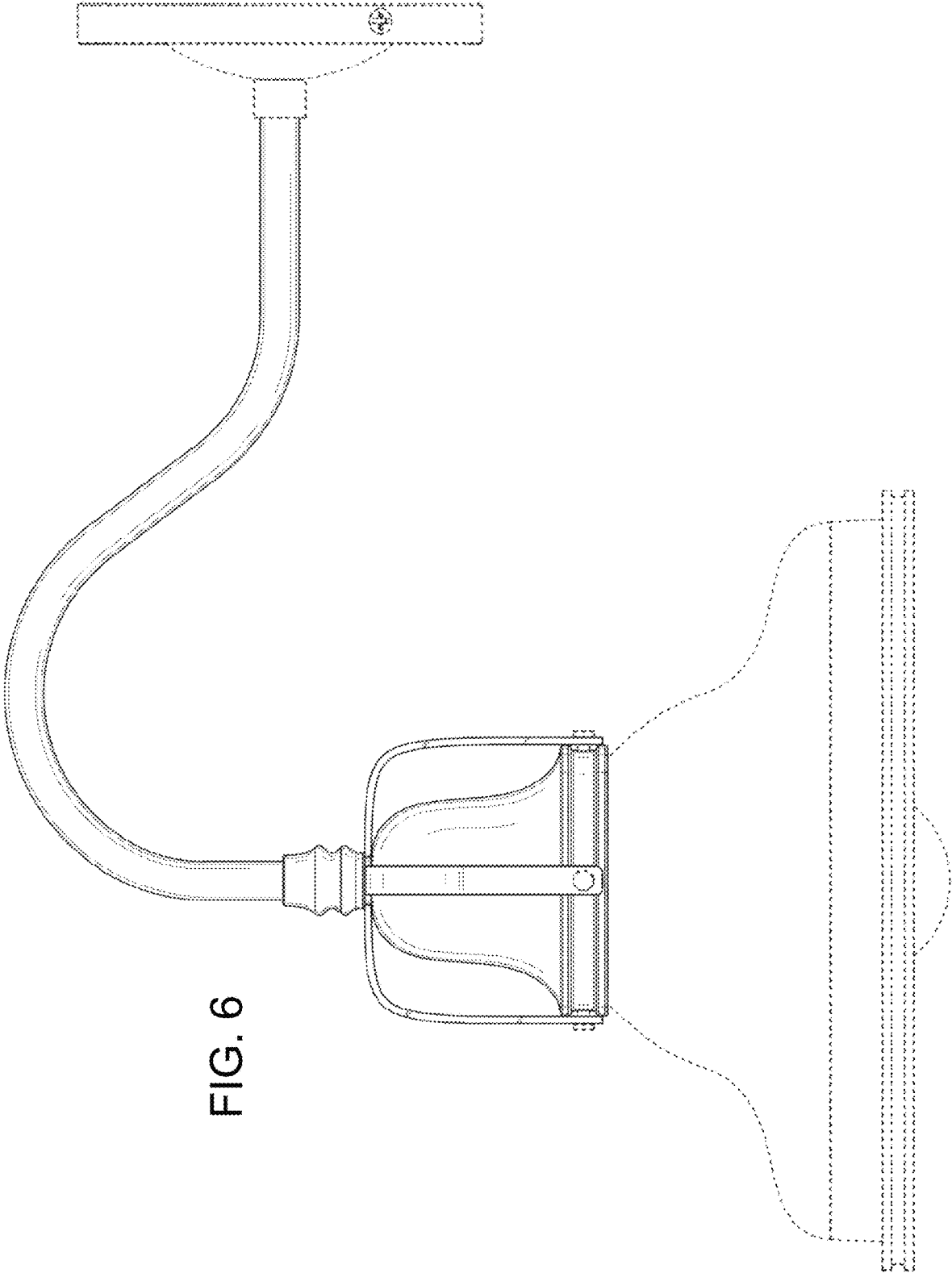


FIG. 6

FIG. 7

