



US00D489678S

(12) **United States Design Patent** (10) **Patent No.:** **US D489,678 S**  
**Axelrod** (45) **Date of Patent:** **\*\* May 11, 2004**

(54) **BATTERY CARTRIDGE**

**DESCRIPTION**

(75) Inventor: **Michael Axelrod**, Roswell, GA (US)  
(73) Assignee: **Arris International, Inc.**, Duluth, GA (US)  
(\*\*) Term: **14 Years**  
(21) Appl. No.: **29/175,893**  
(22) Filed: **Feb. 12, 2003**  
(51) **LOC (7) Cl.** ..... **13-02**  
(52) **U.S. Cl.** ..... **D13/103**  
(58) **Field of Search** ..... D13/103; D14/436;  
429/96-100, 159, 162, 163, 176

FIG. 1 illustrates a top perspective view of a battery cartridge looking from a connector end;  
FIG. 2 illustrates a perspective view thereof looking from a withdrawal end;  
FIG. 3 illustrates a bottom perspective view thereof;  
FIG. 4 illustrates a side elevation thereof;  
FIG. 5 illustrates a plan view thereof looking from a top side thereof;  
FIG. 6 illustrates an elevation view of the connector end thereof;  
FIG. 7 illustrates an elevation view of the withdrawal end thereof;  
FIG. 8 illustrates a plan view looking from a bottom side thereof;  
FIG. 9 illustrates a top perspective view of a second embodiment of a battery cartridge without chamfered edges looking from a connector end;  
FIG. 10 illustrates a perspective view thereof without chamfered edges looking from a withdrawal end;  
FIG. 11 illustrates a bottom perspective view thereof without chamfered edges;  
FIG. 12 illustrates a side elevation view thereof without chamfered edges;  
FIG. 13 illustrates a plan view thereof without chamfered edges looking from a top side thereof;  
FIG. 14 illustrates an elevation view of the connector end thereof without chamfered edges;  
FIG. 15 illustrates an elevation view of the withdrawal end thereof without chamfered edges; and,  
FIG. 16 illustrates a plan view looking from a bottom side thereof without chamfered edges.  
The broken lines throughout the drawings are included for the purpose of illustrating portions of the battery cartridge that form no part of the claimed design.

(56) **References Cited**

**U.S. PATENT DOCUMENTS**

5,103,377 A \* 4/1992 Kobayashi et al. .... 361/681  
5,741,305 A \* 4/1998 Vincent et al. .... 607/5  
D422,962 S \* 4/2000 Shevlin et al. .... D13/103  
D438,508 S \* 3/2001 Stanford et al. .... D13/103  
D440,201 S \* 4/2001 Huynh et al. .... D13/103  
D449,577 S \* 10/2001 Nishio et al. .... D13/103

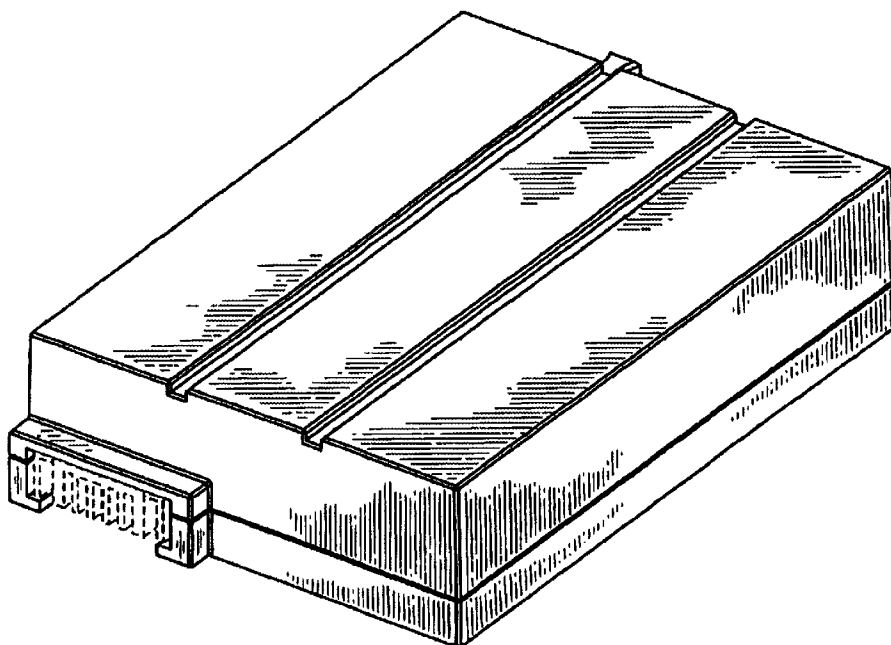
\* cited by examiner

*Primary Examiner*—Joel Sincavage  
(74) *Attorney, Agent, or Firm*—John L. Doughty

(57) **CLAIM**

The ornamental design for a battery cartridge, as shown and described.

**1 Claim, 16 Drawing Sheets**



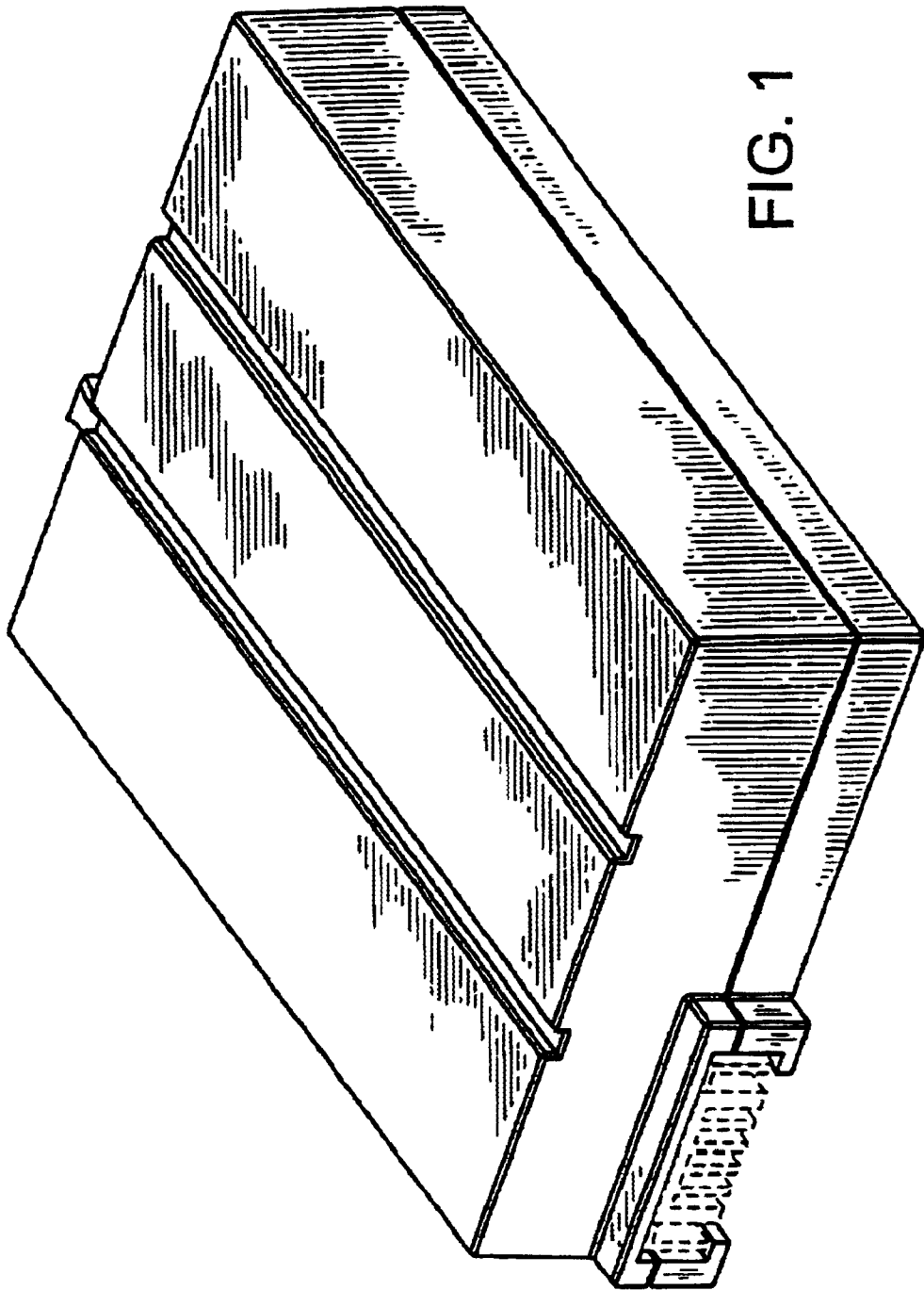


FIG. 1

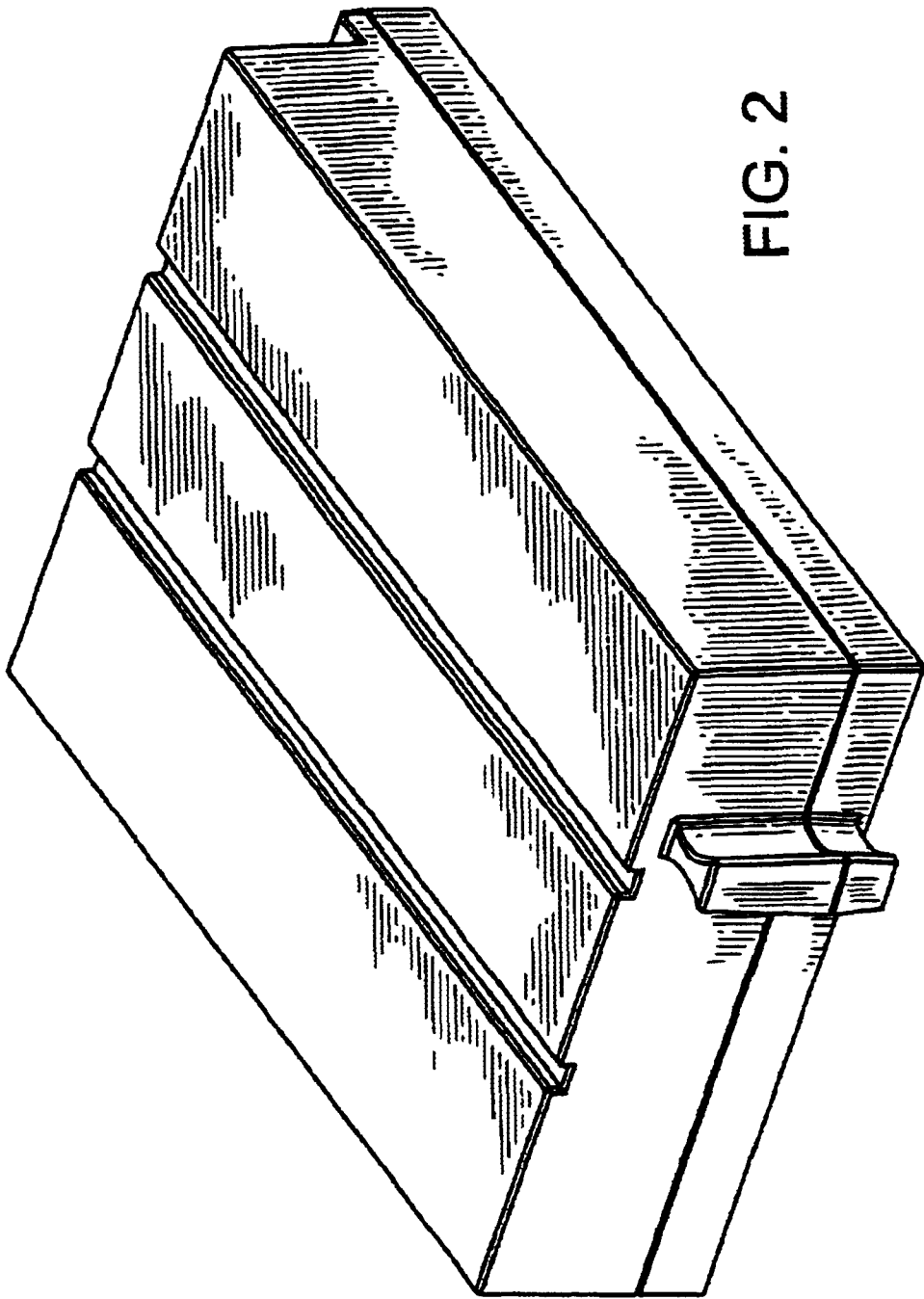


FIG. 2

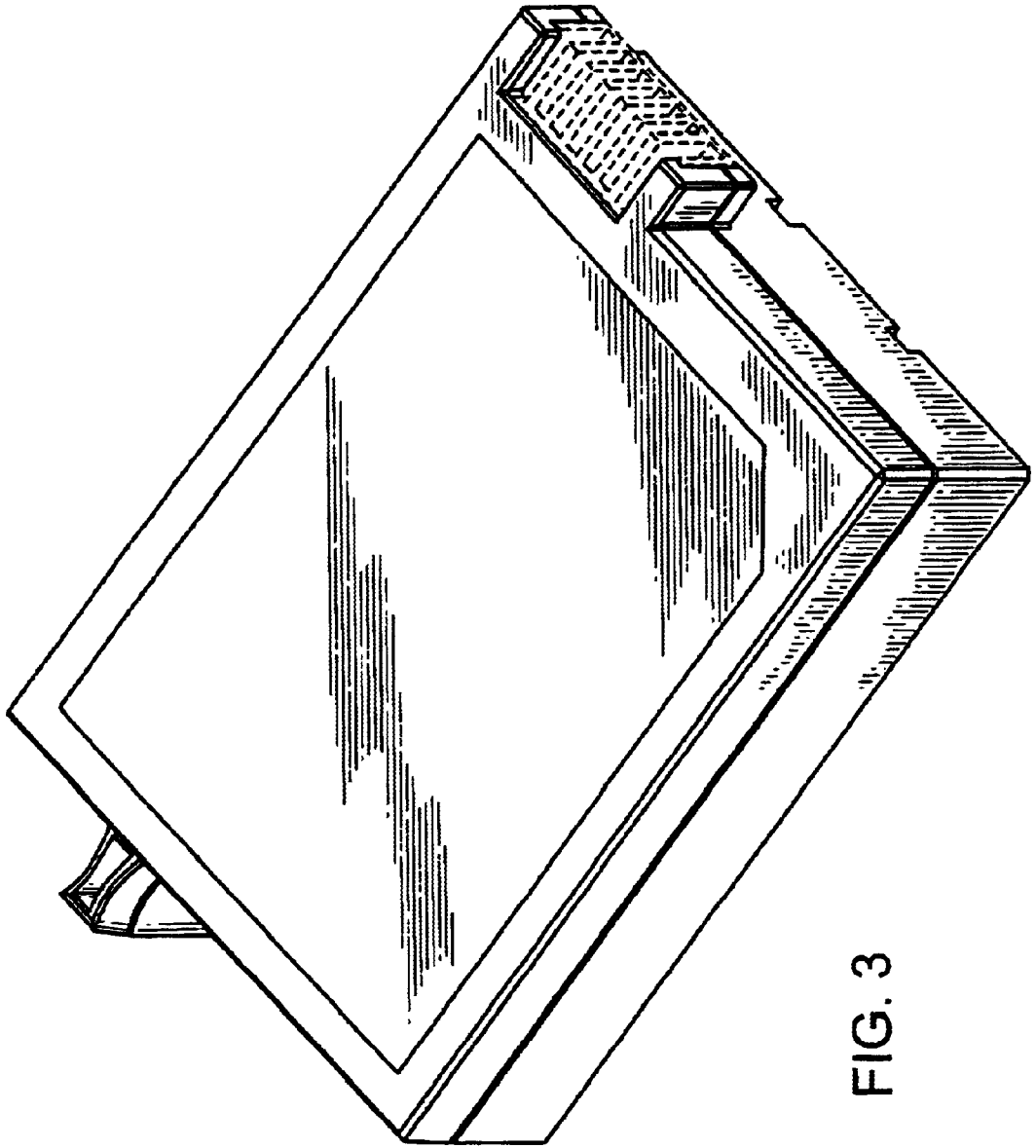


FIG. 3

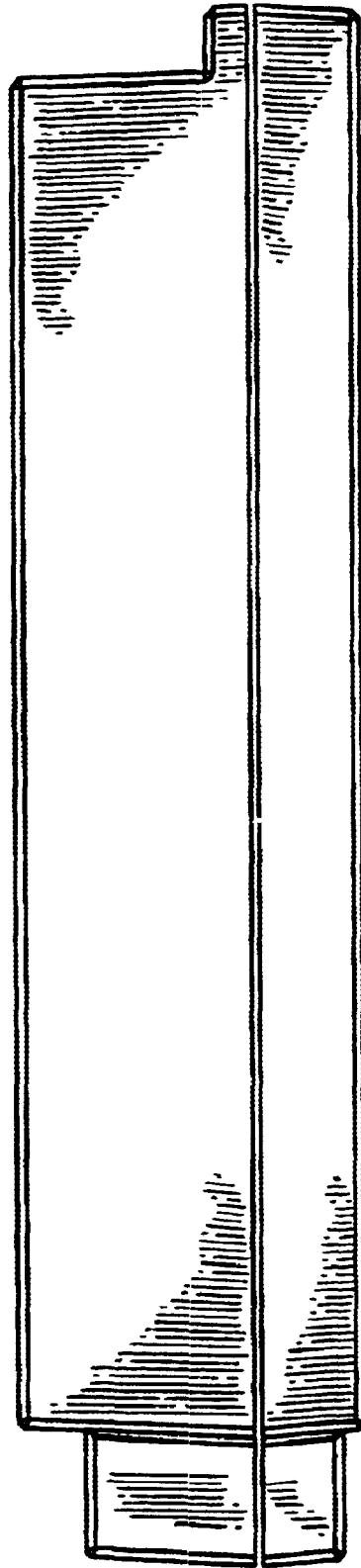


FIG. 4

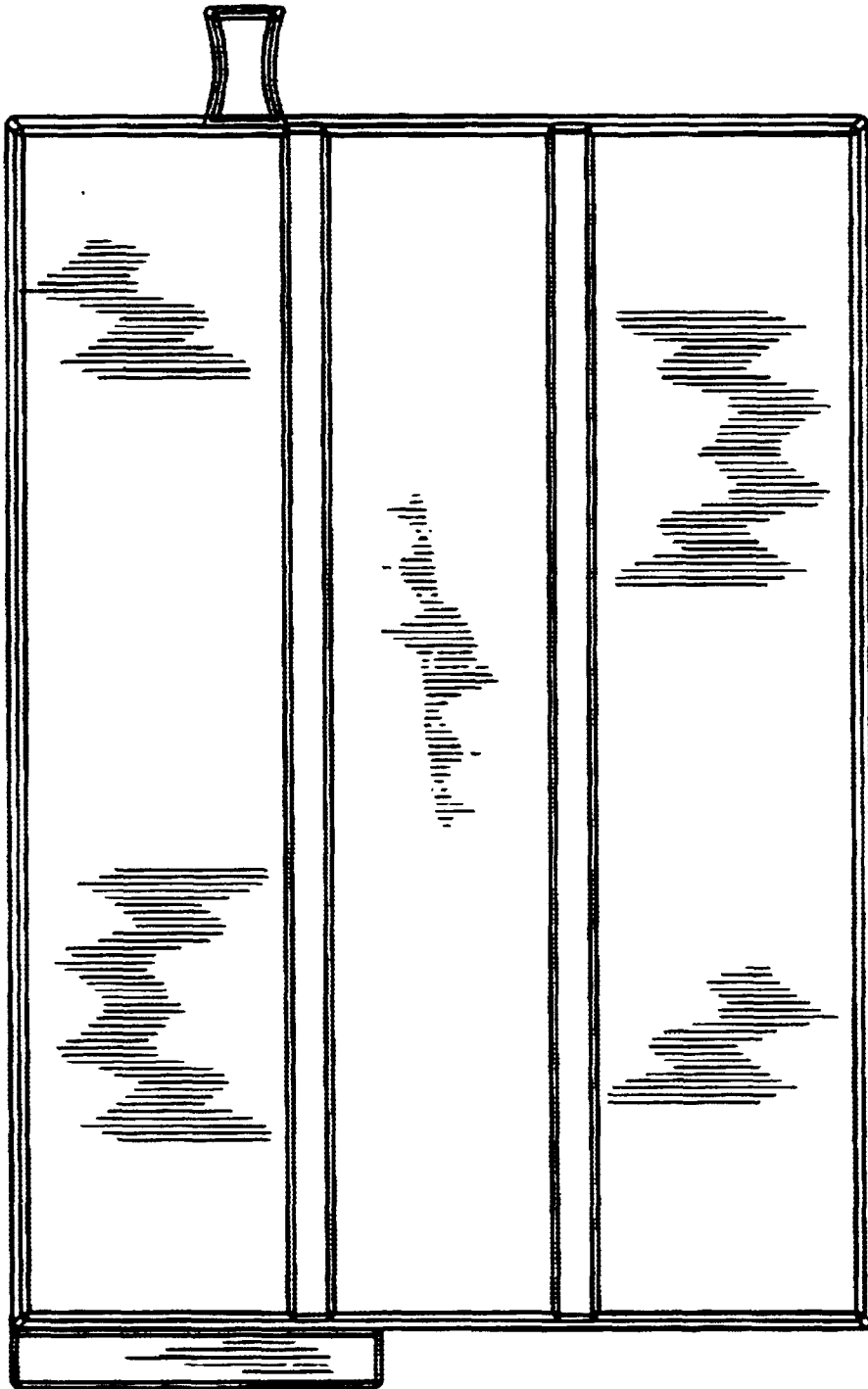


FIG. 5

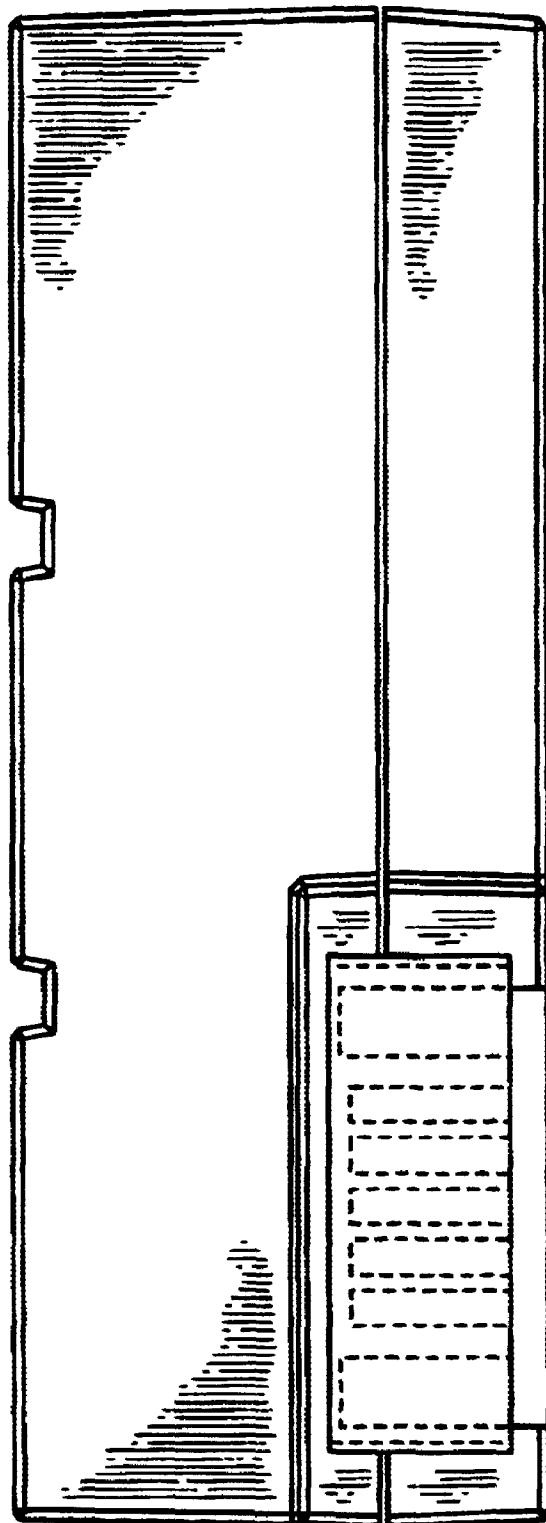


FIG. 6

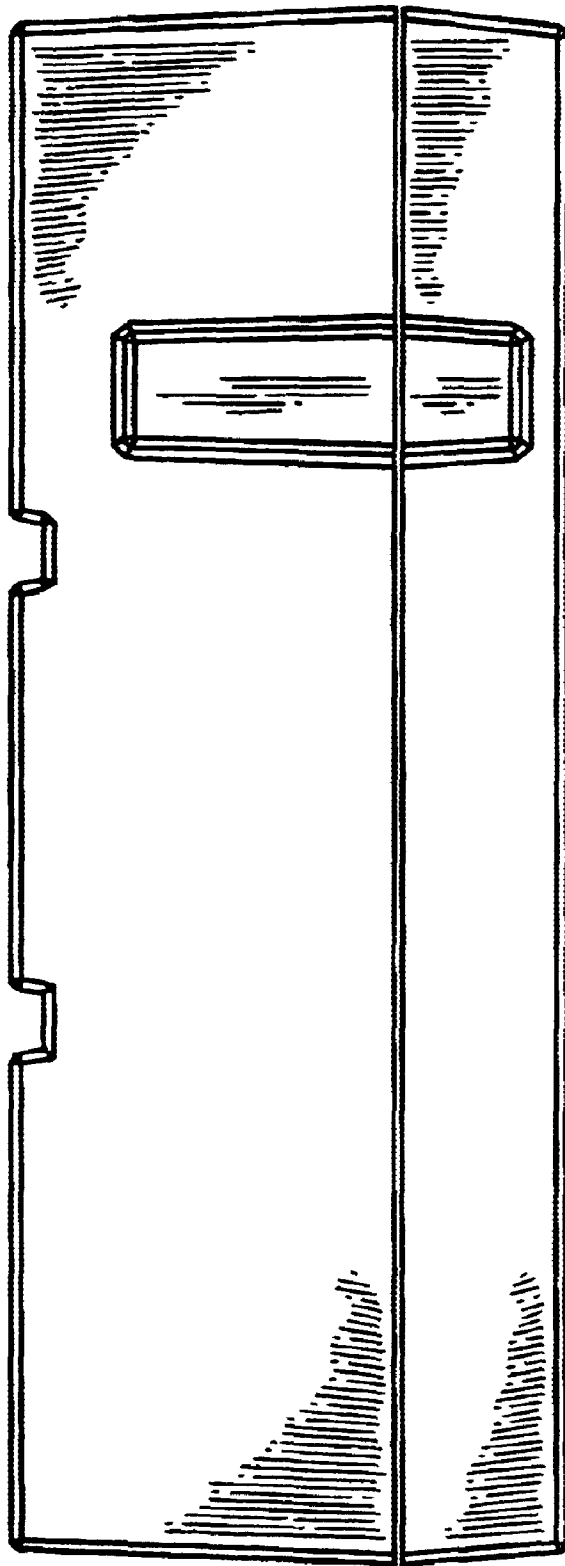


FIG. 7



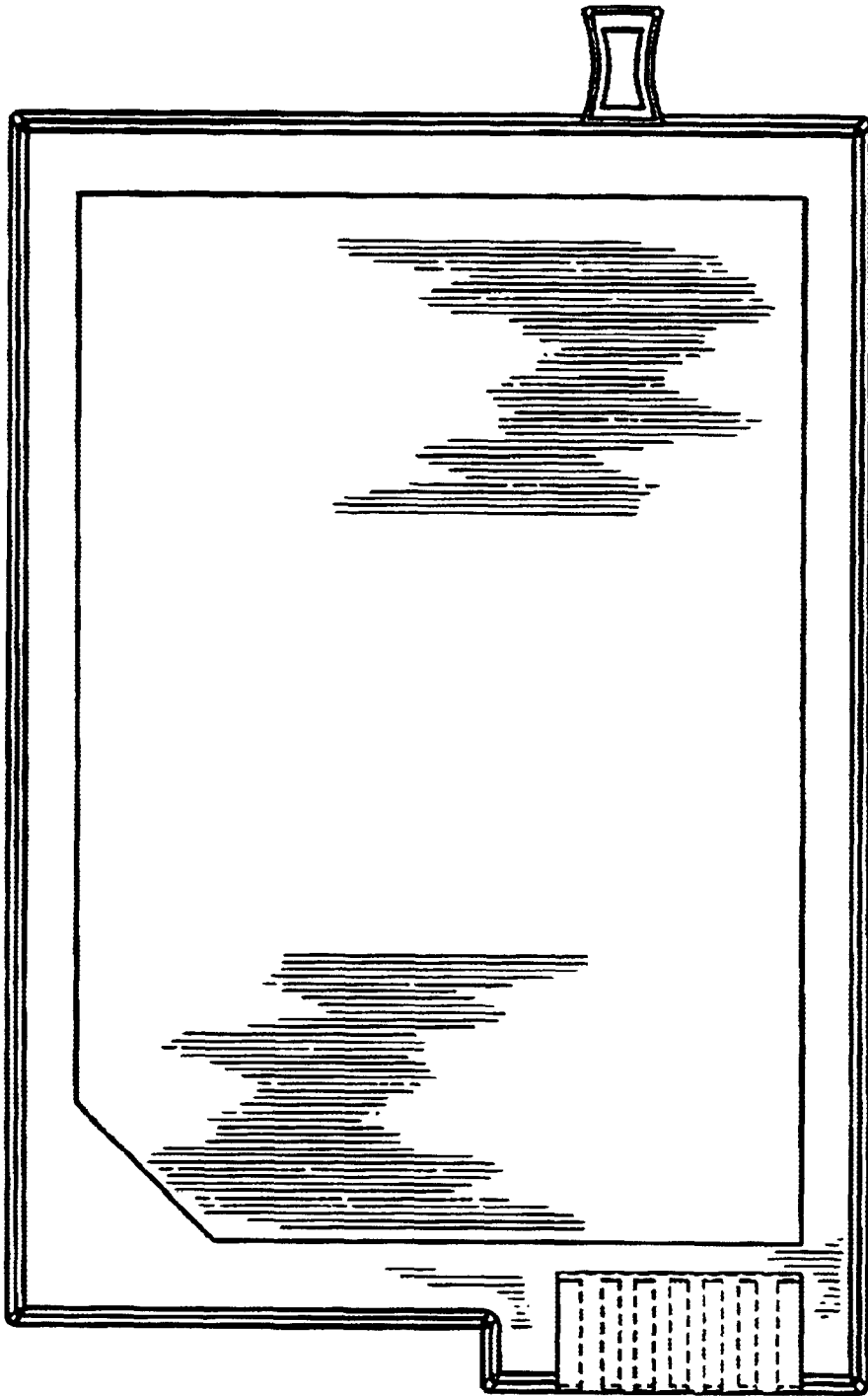


FIG. 8

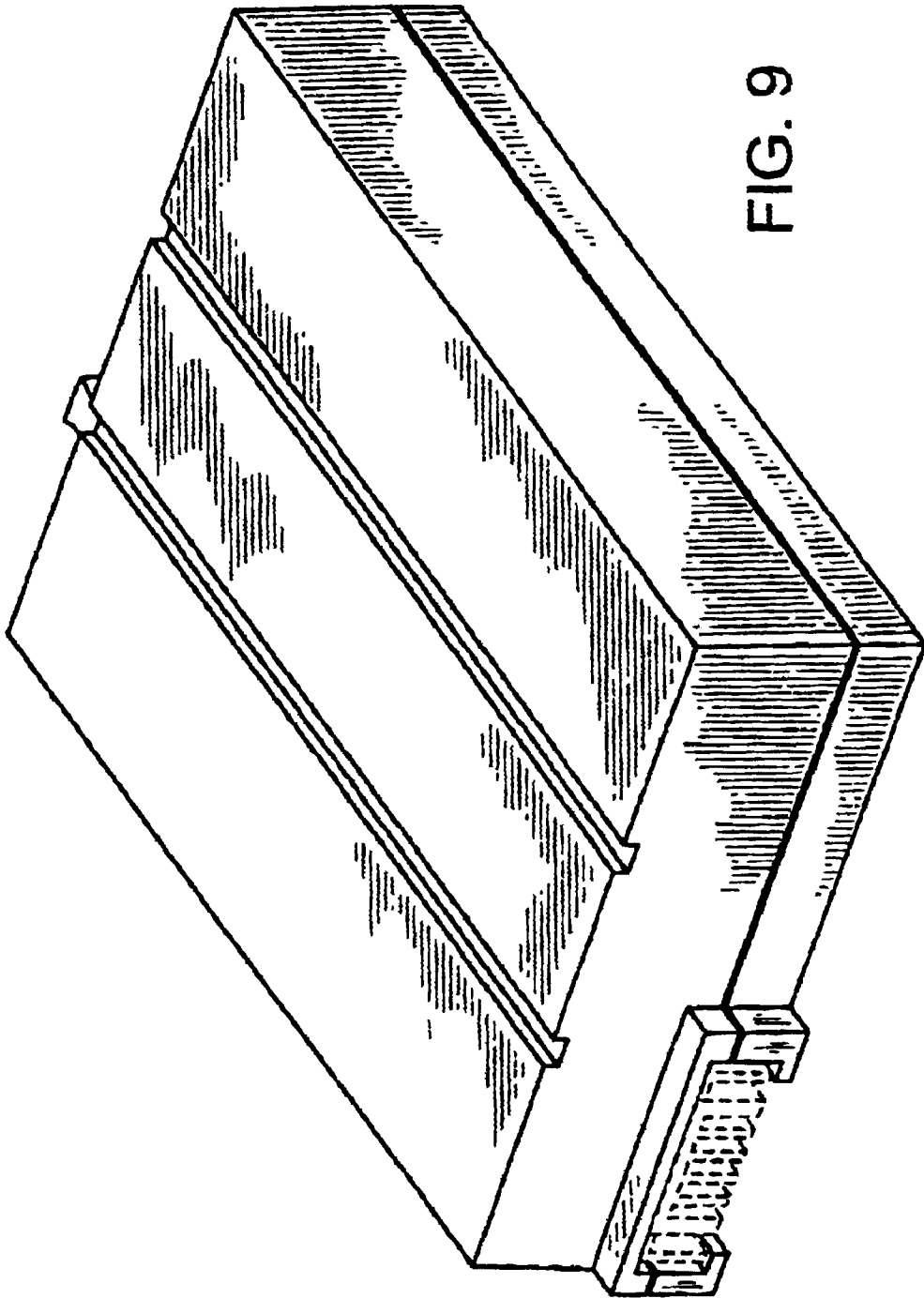


FIG. 9

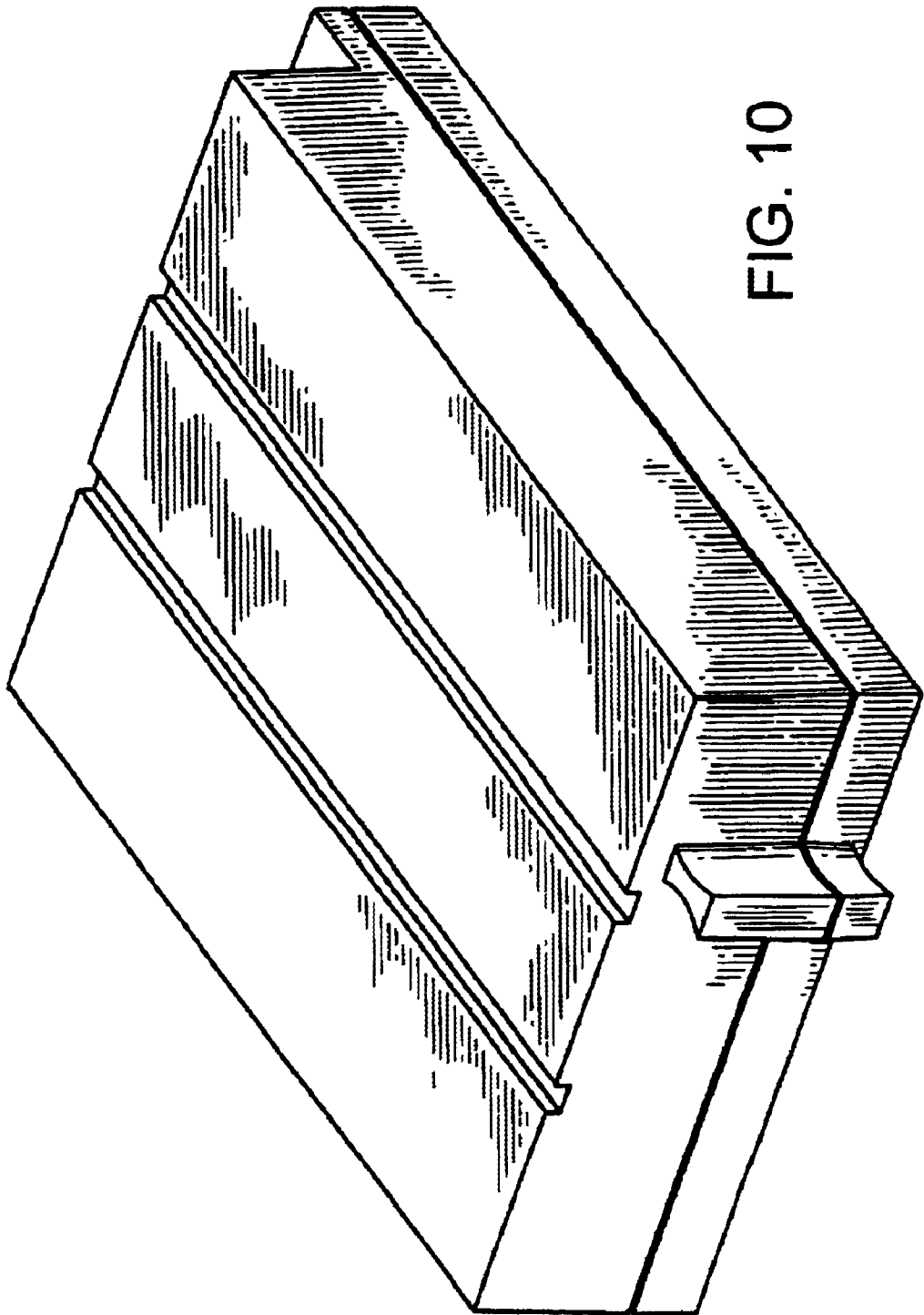


FIG. 10

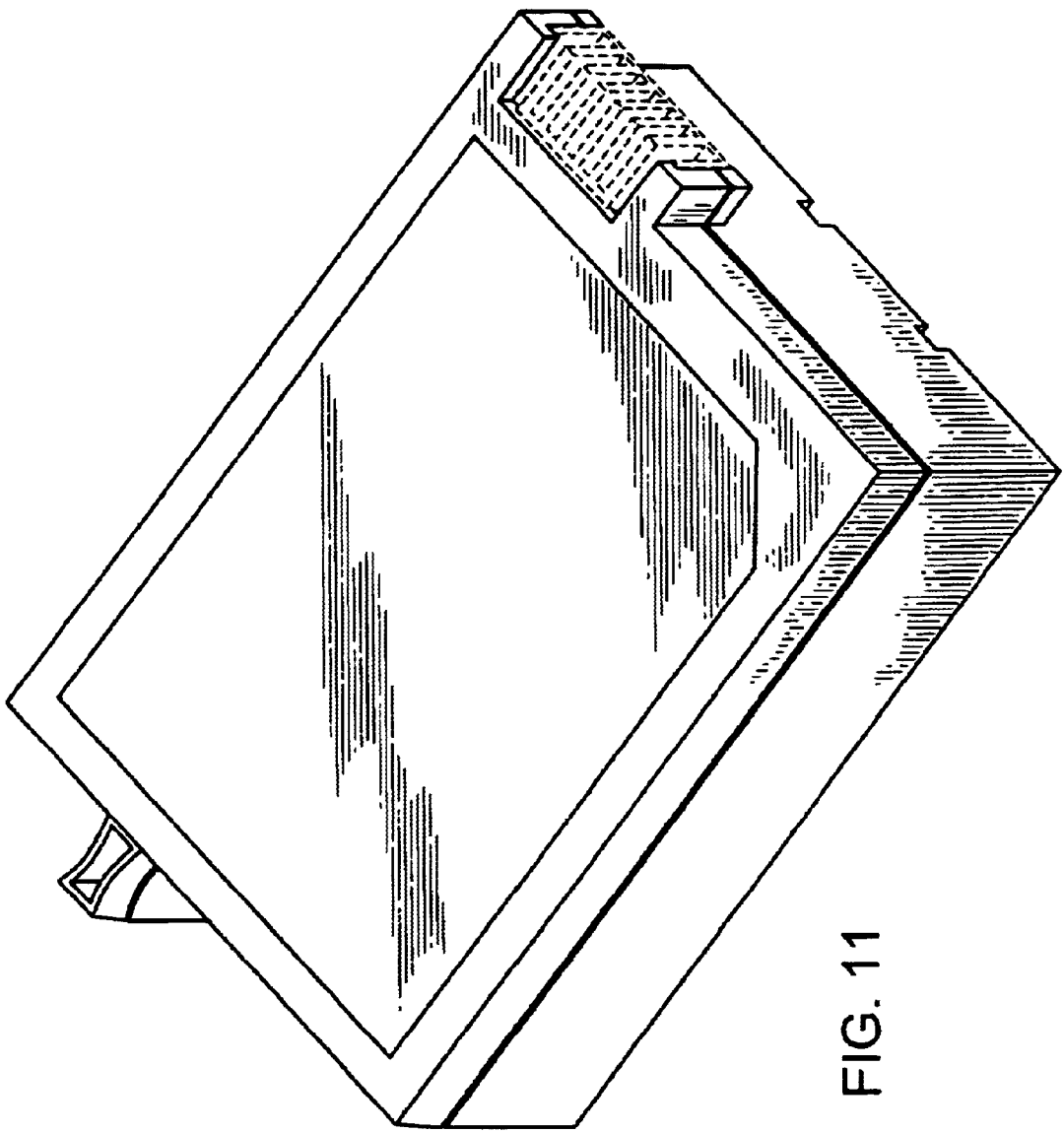


FIG. 11

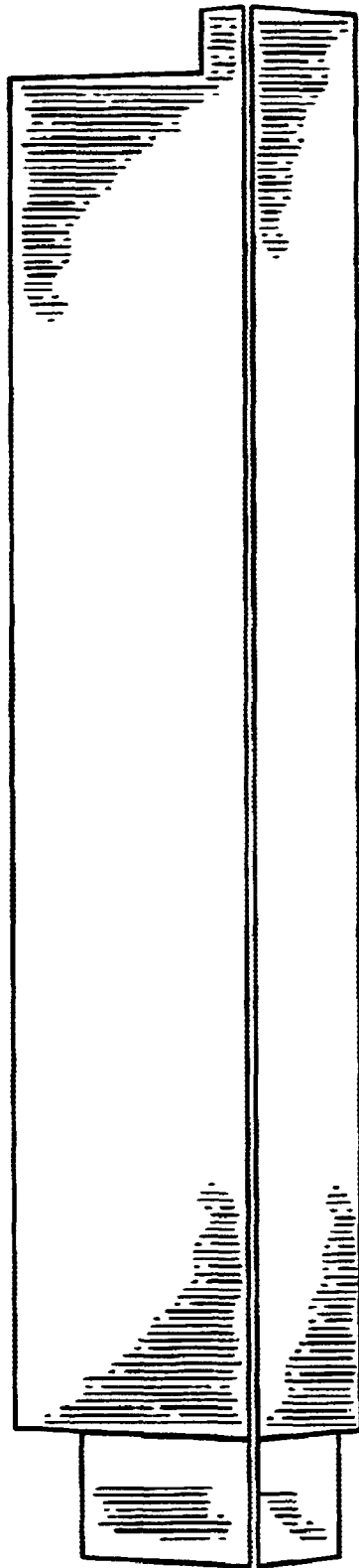


FIG. 12

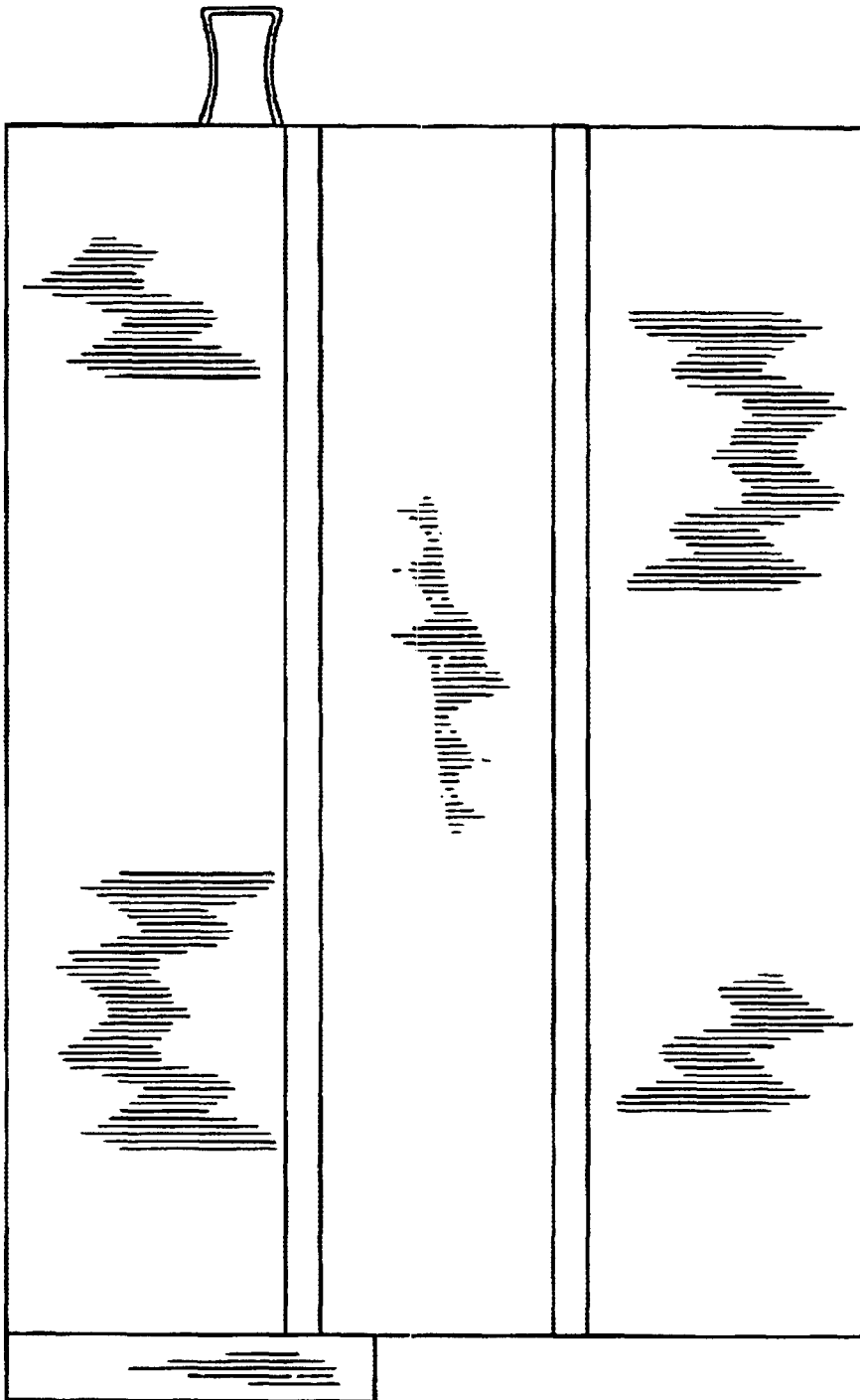


FIG. 13

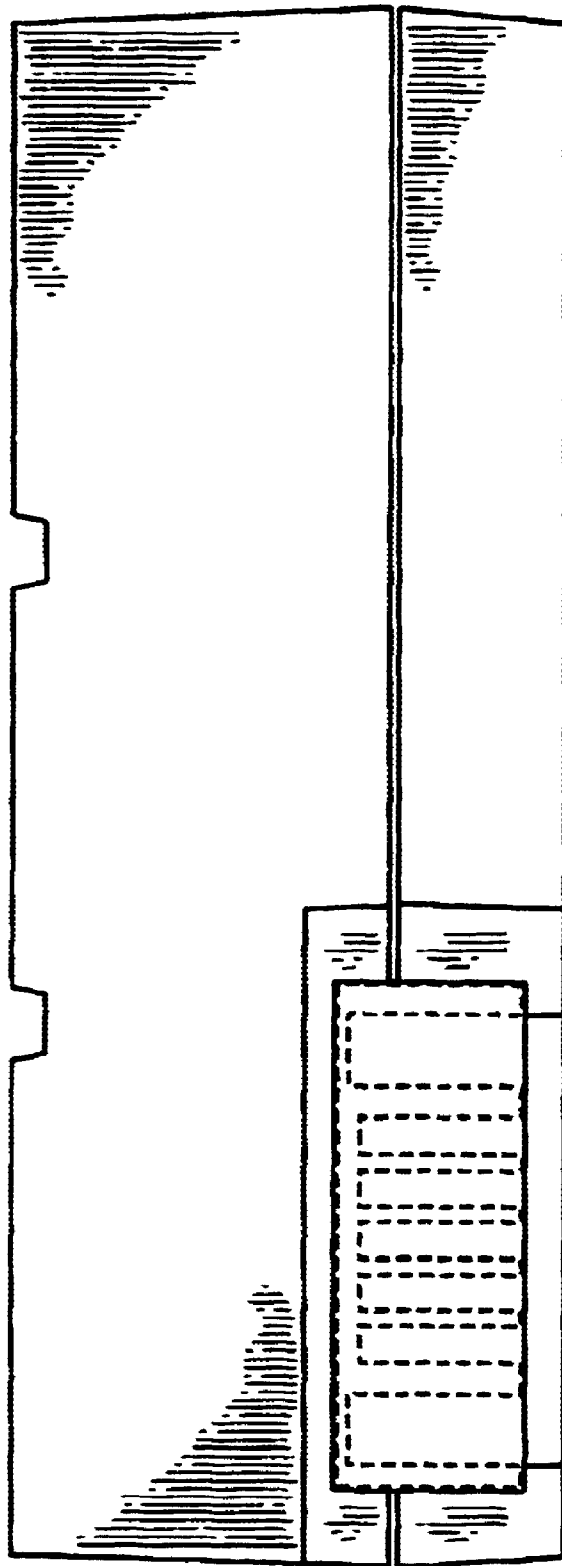


FIG. 14

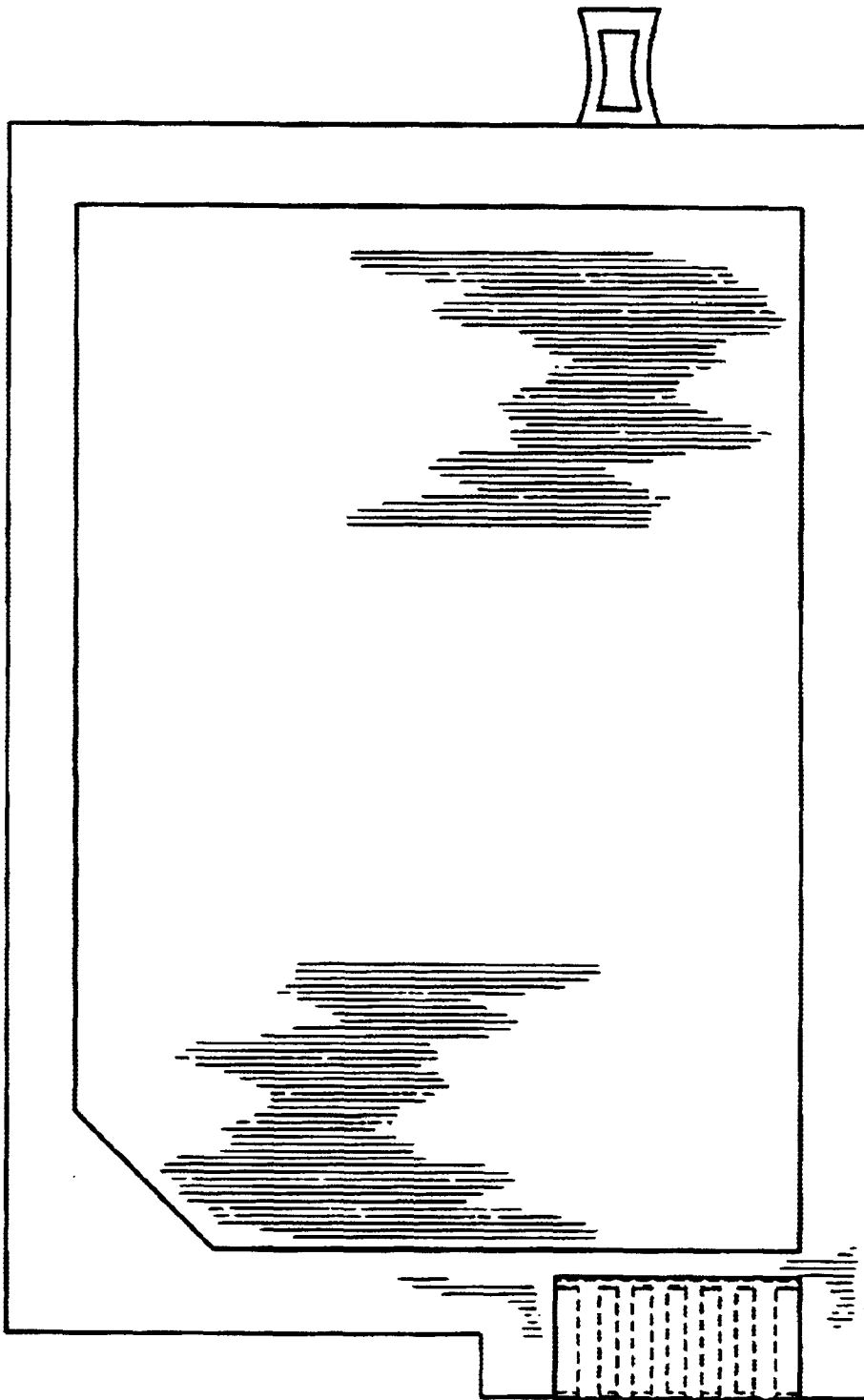


FIG. 15



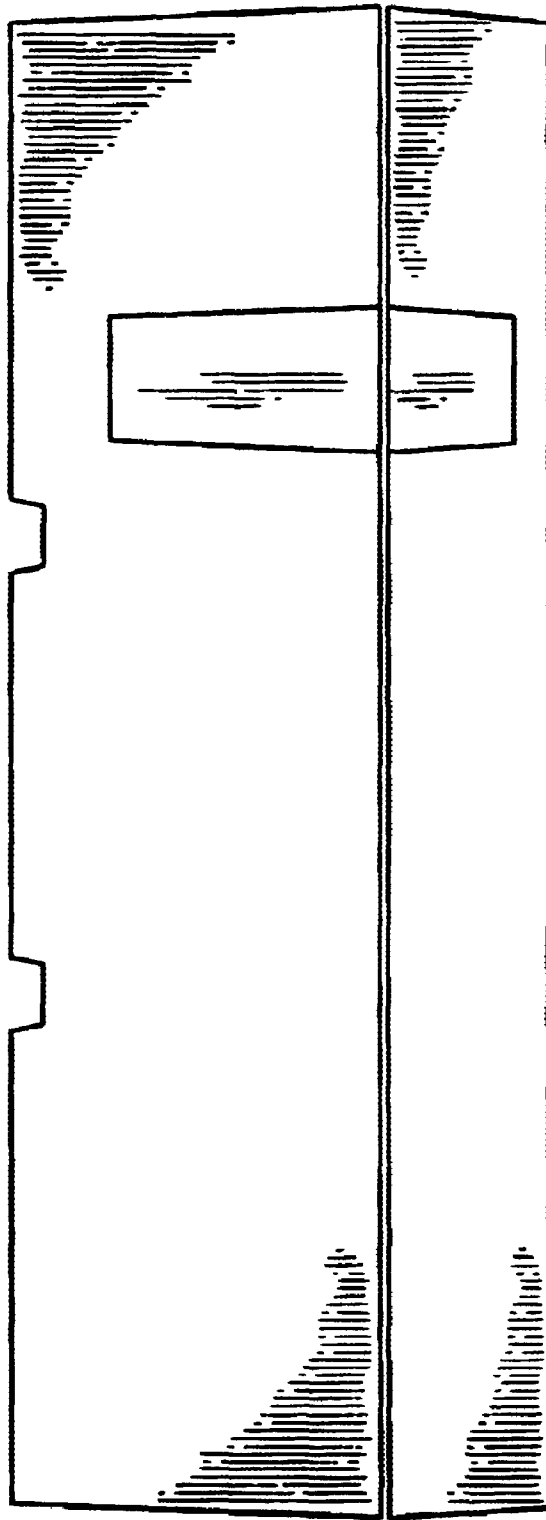


FIG. 16