



US00D745171S

(12) **United States Design Patent**
Gomez

(10) **Patent No.:** **US D745,171 S**

(45) **Date of Patent:** **** Dec. 8, 2015**

- (54) **ARM TUCKING DEVICE**
- (71) Applicant: **David Julian Gomez**, Raleigh, NC (US)
- (72) Inventor: **David Julian Gomez**, Raleigh, NC (US)
- (**) Term: **14 Years**
- (21) Appl. No.: **29/466,202**
- (22) Filed: **Sep. 5, 2013**
- (51) **LOC (10) Cl.** **24-01**
- (52) **U.S. Cl.**
USPC **D24/184**
- (58) **Field of Classification Search**
USPC D24/183-184, 188, 190, 192, 165, 140,
D24/172, 128, 206-207; 248/118.1, 118.5;
5/632, 648, 636, 630; 601/34; 602/20,
602/16, 23, 33, 36, 38, 40; 128/845, 877;
D6/601, 597, 501, 418; 378/208;
D14/452, 460-461; D29/120.1
CPC .. A47B 21/0371; A47C 20/023; A61G 7/075;
A61G 13/12; A61H 1/0259; A61H 1/0218;
A61F 5/0118; A61F 5/0123; A61F 5/0111;
A61M 5/52
See application file for complete search history.

7,452,032	B1 *	11/2008	Roleder	A47C 7/54
					297/411.33
D608,446	S *	1/2010	Shibata	D24/165
7,832,035	B2 *	11/2010	Walczyk	A61G 13/12
					5/646
D647,207	S *	10/2011	Buck	D24/185
D655,418	S *	3/2012	Hancock	D24/183
8,302,228	B2 *	11/2012	Aboujaoude	A61F 5/3761
					128/882
8,322,342	B2 *	12/2012	Soto	A61G 13/12
					128/845
D698,030	S *	1/2014	Crisco	D24/190
D702,841	S *	4/2014	Wyrozub	D24/184
D728,798	S *	5/2015	Moon	D24/184
D728,800	S *	5/2015	Klein	D24/184
D732,671	S *	6/2015	Moy	D24/184
2004/0123389	A1 *	7/2004	Boucher	A61G 13/12
					5/623

* cited by examiner

Primary Examiner — T. Chase Nelson

Assistant Examiner — Mark Cavanna

(74) *Attorney, Agent, or Firm* — Phillips Lytle LLP; David L. Principe

(57) **CLAIM**

The ornamental design for an arm tucking device, as shown and described.

(56) **References Cited**

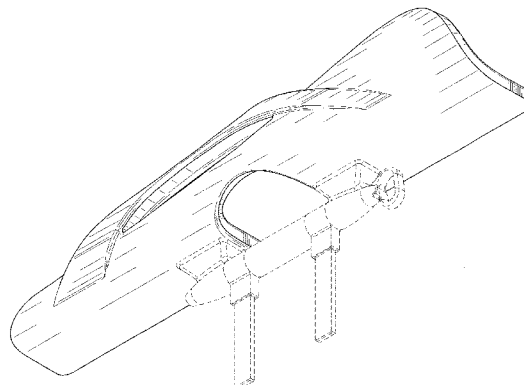
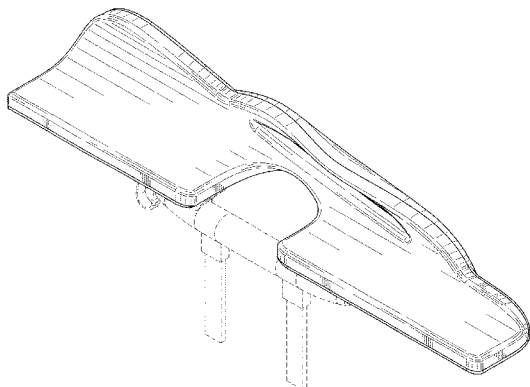
U.S. PATENT DOCUMENTS

D253,568	S *	12/1979	Brink	D6/716.2
D318,589	S *	7/1991	Szadkowski	D6/716.2
D331,921	S *	12/1992	Gutke	D14/452
5,281,001	A *	1/1994	Bergsten	A47B 21/0371
					248/118
5,405,109	A *	4/1995	Nordnes	A47B 21/0371
					248/118.3
D377,125	S *	1/1997	Adamsson	D6/716.2
6,101,650	A *	8/2000	Omdal	A61G 13/1235
					128/878
D438,725	S *	3/2001	Takahashi	D6/716.2
6,454,224	B1 *	9/2002	Nogueira	A47B 21/0371
					248/118.5
D479,719	S *	9/2003	Kerscher	D14/460
D518,894	S *	4/2006	Kirn	D24/184

DESCRIPTION

FIG. 1 is a perspective view of the arm tucking device showing my new design;
 FIG. 2 is another perspective view thereof;
 FIG. 3 is a left side elevation view thereof;
 FIG. 4 is a front elevation view thereof;
 FIG. 5 is a right side elevation view thereof;
 FIG. 6 is a rear elevation view thereof;
 FIG. 7 is a top plan view thereof; and,
 FIG. 8 is a bottom plan view thereof.
 The broken line showing of environmental structure in the form of a mounting bracket in FIGS. 1-8 is for illustrative purposes only and forms no part of the claimed design.

1 Claim, 6 Drawing Sheets



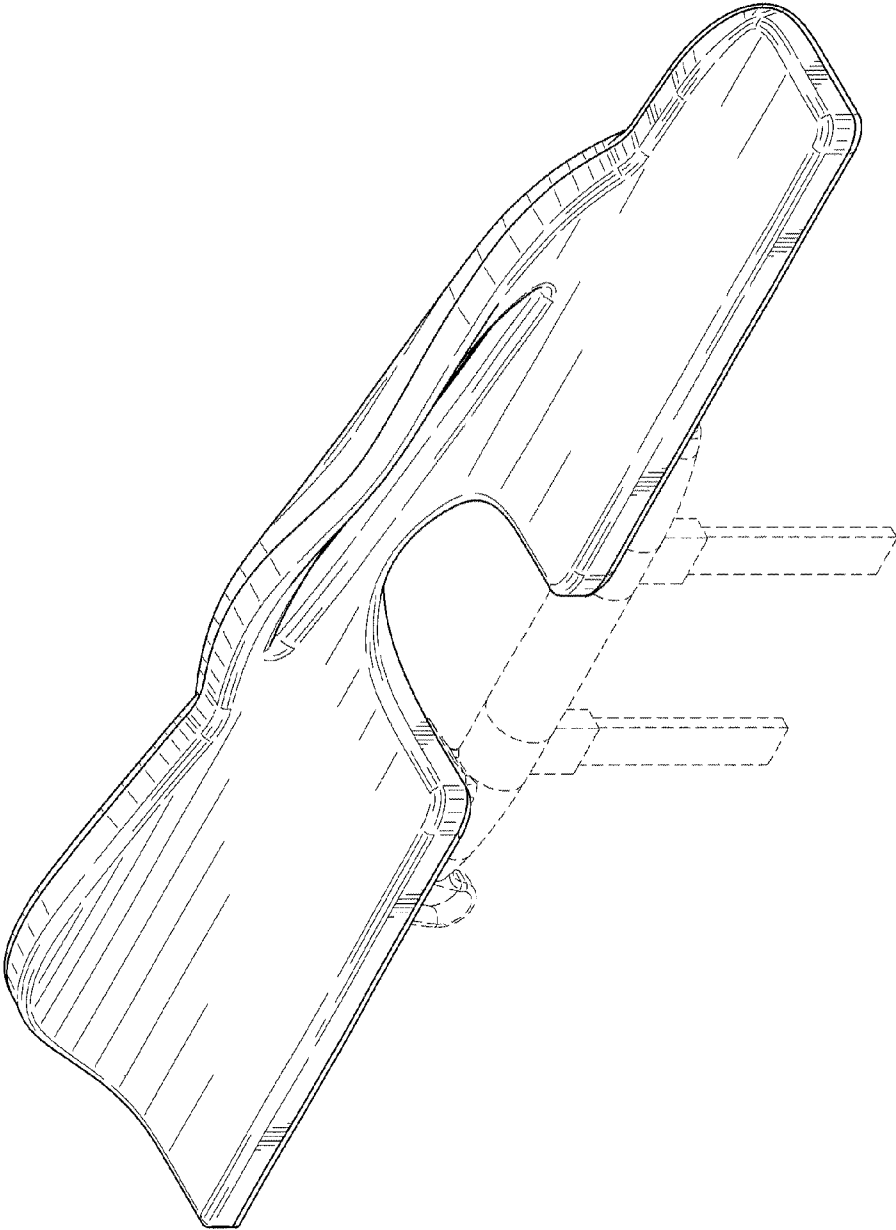


FIG. 1

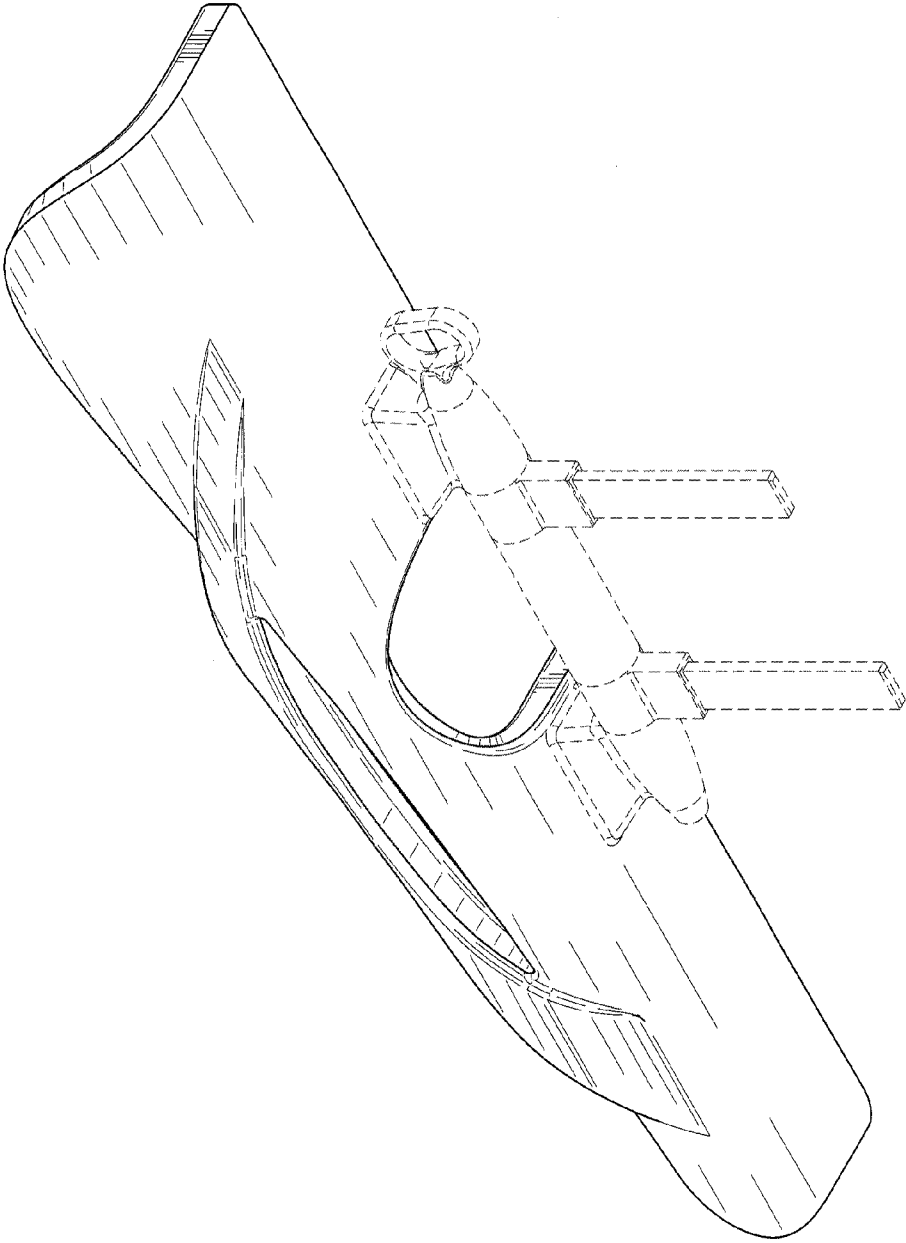


FIG. 2

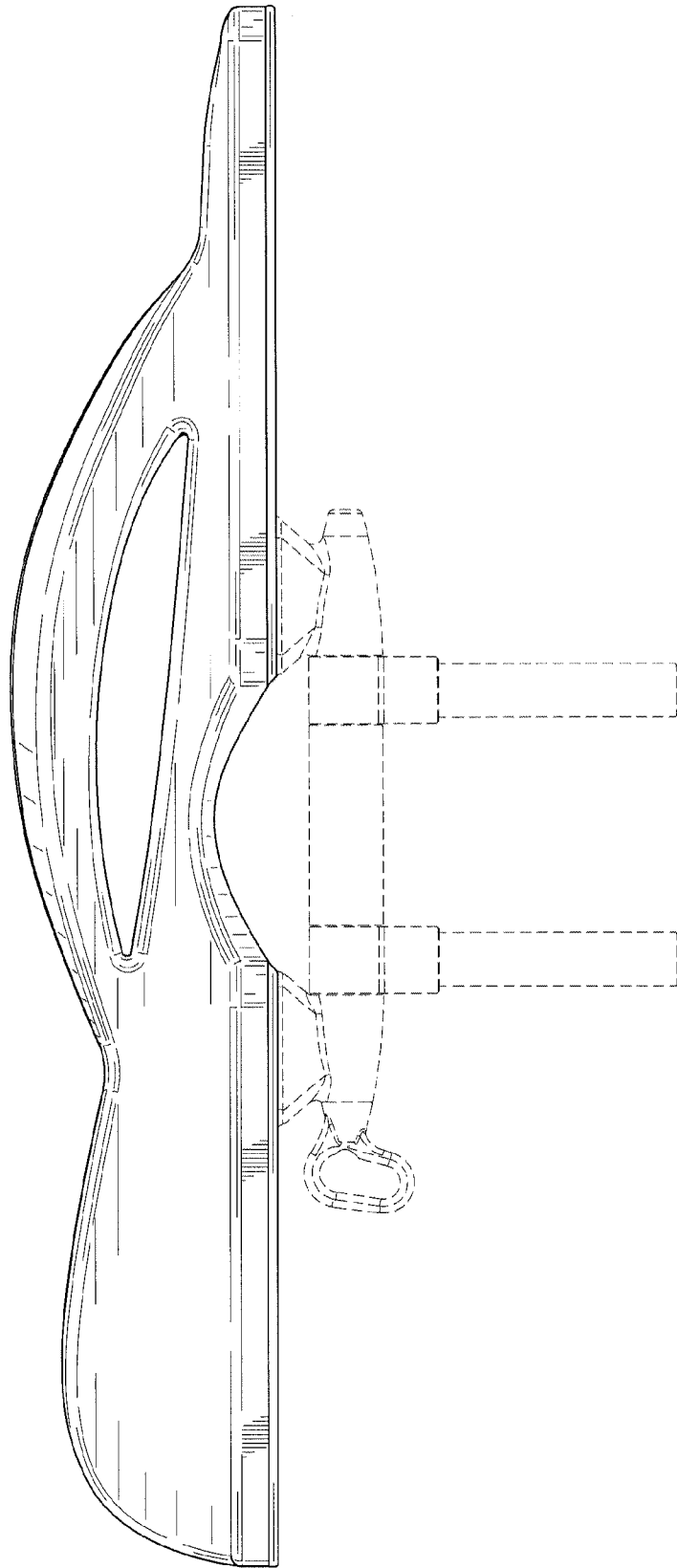


FIG. 3

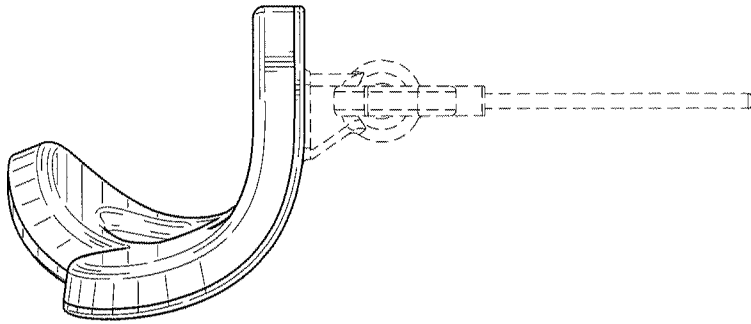


FIG. 6

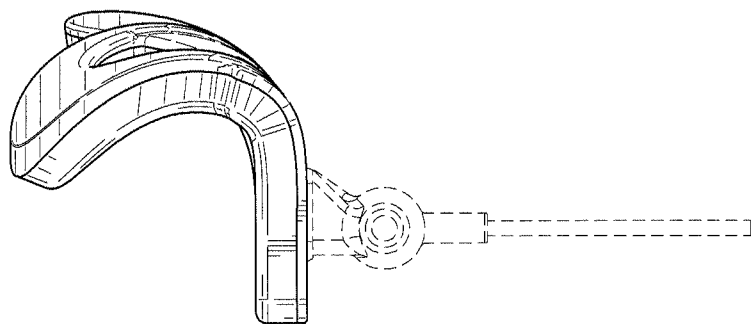


FIG. 4

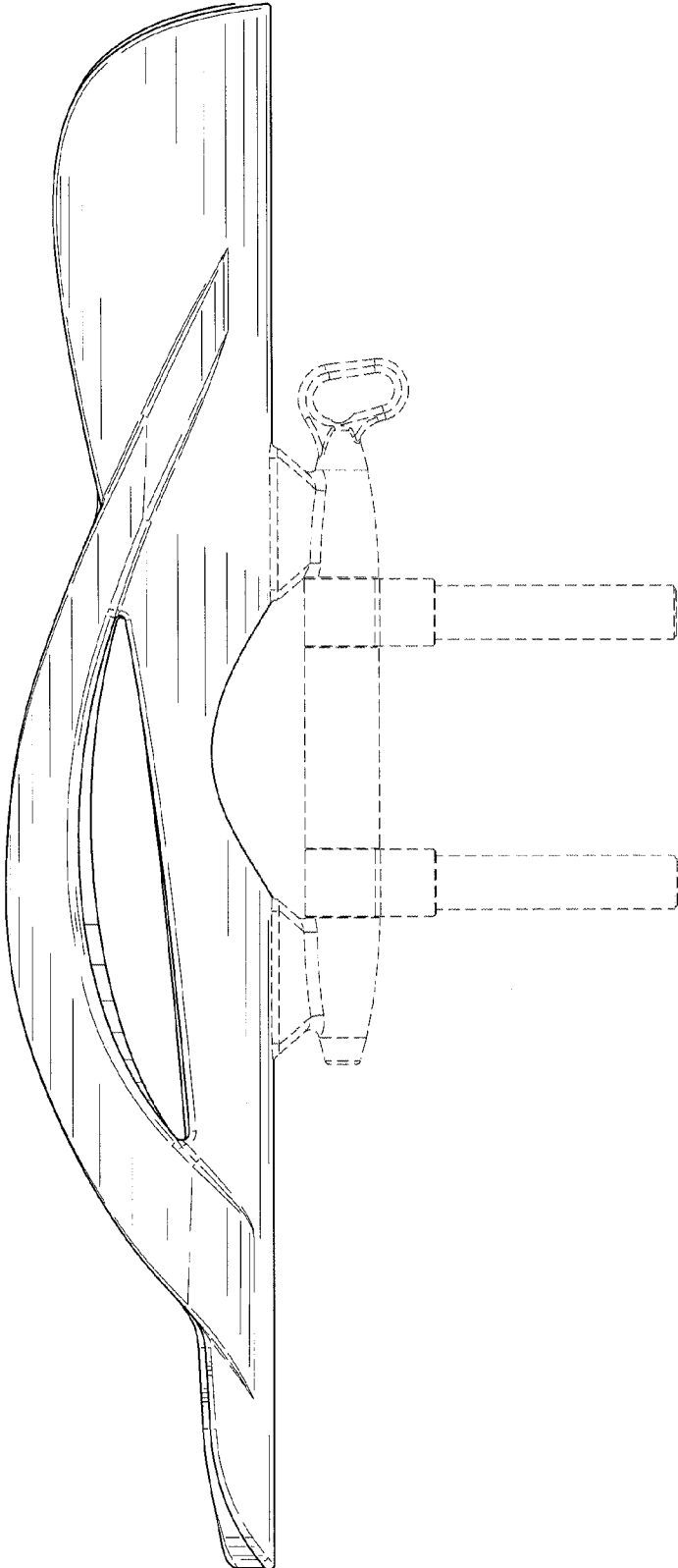


FIG. 5

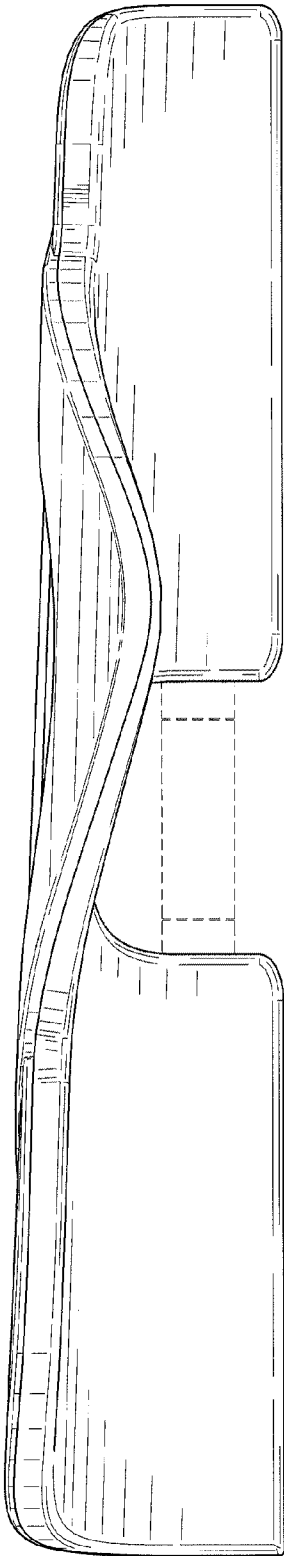


FIG. 7

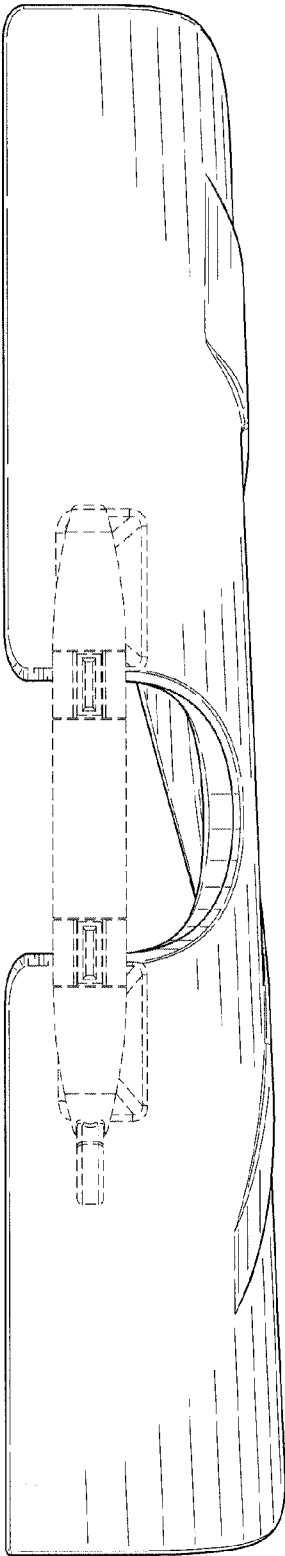


FIG. 8