



US0D1006885S

(12) **United States Design Patent**
Jadeja et al.

(10) **Patent No.:** **US D1,006,885 S**

(45) **Date of Patent:** **** Dec. 5, 2023**

(54) **GAMING MACHINE**

5/232935; H04N 5/232939; H04N 5/247;
H04N 5/2621; H04N 5/332; H04N
5/3415; H04N 5/357; H04N 5/372; H04N
7/147;

(71) Applicant: **Aristocrat Technologies, Inc. (ATI)**,
Las Vegas, NV (US)

(Continued)

(72) Inventors: **Rajendrasinh Jadeja**, Las Vegas, NV
(US); **Bruce Urban**, Las Vegas, NV
(US)

(56) **References Cited**

U.S. PATENT DOCUMENTS

(73) Assignee: **ARISTOCRAT TECHNOLOGIES,**
INC., Las Vegas, NV (US)

D508,961 S * 8/2005 Gatto D21/325
D646,336 S 10/2011 Kelly

(Continued)

(**) Term: **15 Years**

FOREIGN PATENT DOCUMENTS

(21) Appl. No.: **29/758,353**

AU 351555 10/2013
AU 351594 10/2013

(Continued)

(22) Filed: **Nov. 13, 2020**

(51) **LOC (14) Cl.** **21-03**

(52) **U.S. Cl.**

USPC **D21/369**

(58) **Field of Classification Search**

USPC D14/305, 306, 307, 312, 336, 354, 373;
D21/329, 332, 333, 365, 385, 694, 371,
D21/325, 324, 336, 369

CPC A63F 9/00; A63F 5/04; A63F 7/02; A63F
59/04; A63F 13/90; A63F 13/25; A63F
13/23; G07F 17/321; G07F 17/3213;
H04N 19/159; H04N 19/176; H04N
13/111; H04N 13/156; H04N 13/204;
H04N 13/239; H04N 19/105; H04N
19/52; H04N 19/577; H04N 5/33; H04N
9/3185; H04N 13/257; H04N 13/279;
H04N 13/296; H04N 13/344; H04N
13/366; H04N 13/383; H04N 13/398;
H04N 17/002; H04N 19/109; H04N
19/119; H04N 19/12; H04N 19/126;
H04N 19/132; H04N 19/186; H04N
19/1883; H04N 19/46; H04N 19/96;
H04N 1/00811; H04N 1/00814; H04N
1/40093; H04N 1/401; H04N 2013/0081;
H04N 2209/048; H04N 5/04; H04N
5/2254; H04N 5/2258; H04N 5/23206;
H04N 5/23212; H04N 5/23245; H04N
5/23258; H04N 5/23267; H04N

Primary Examiner — Khawaja Anwar

Assistant Examiner — Julice Seung Eun Oum

(74) *Attorney, Agent, or Firm* — McAndrews Held &
Malloy, Ltd.

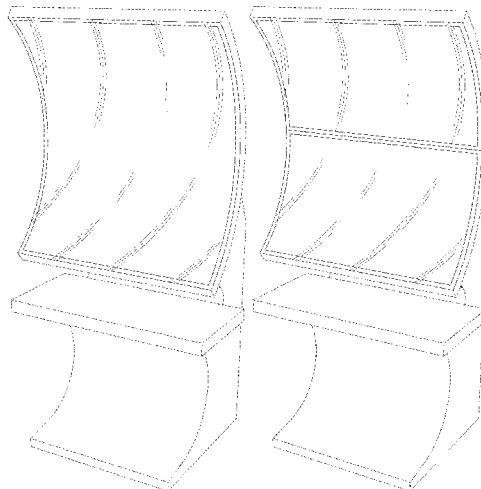
(57) **CLAIM**

The ornamental design for a gaming machine, as shown and
described.

DESCRIPTION

FIG. 1 is a front perspective view of a gaming machine
showing our design according to a first embodiment;
FIG. 2 is another front perspective view thereof;
FIG. 3 is a front elevation view thereof;
FIG. 4 is a left side elevation view thereof;
FIG. 5 is a front perspective view of a gaming machine
showing our design according to a second embodiment;
FIG. 6 is another front perspective view thereof;
FIG. 7 is a front elevation view thereof; and,
FIG. 8 is a left side elevation view thereof.
The dashed broken lines in the figures illustrate portions of
the gaming machine that form no part of the claimed design.

1 Claim, 8 Drawing Sheets



(58) **Field of Classification Search**

CPC H04N 7/157; H04N 9/083; H04N 9/3105;
 H04N 9/312; H04N 9/3126; H04N
 9/3147; H04N 9/3152; H04N 9/3179;
 H04N 9/3188; H04N 9/64; G02B
 19/0028; G02B 19/009; G02B 2027/0134;
 G02B 2027/0138; G02B 2027/014; G02B
 21/0012; G02B 21/22; G02B 21/361;
 G02B 21/367; G02B 26/085; G02B
 27/0025; G02B 27/0075; G02B 27/0172;
 G02B 27/0977; G02B 27/1013; G02B
 27/4211; G02B 3/0056; G02B 5/201;
 G02B 5/208; G02B 6/02042

See application file for complete search history.

(56) **References Cited**

U.S. PATENT DOCUMENTS

D646,337 S 10/2011 Kelly
 D649,605 S * 11/2011 Terpstra D21/385
 D685,033 S 6/2013 Wudtke
 D706,741 S 6/2014 Myers
 D712,975 S 9/2014 Lesley
 8,830,392 B2 9/2014 Li
 D719,615 S 12/2014 Inoue
 D719,616 S 12/2014 Inoue
 9,141,329 B1 9/2015 Reicher
 D740,888 S 10/2015 DePalma
 D742,974 S 11/2015 Lesley
 D742,975 S 11/2015 Myers
 RE46,169 E 10/2016 Kelly
 9,709,838 B2 7/2017 Jung
 D808,354 S 1/2018 Castro
 D812,146 S 3/2018 Castro
 D812,147 S 3/2018 Castro
 D812,148 S 3/2018 Castro
 D812,149 S 3/2018 Castro
 D819,747 S 6/2018 Castro
 D820,915 S 6/2018 Lee
 D832,355 S 10/2018 Castro
 D832,356 S 10/2018 Castro
 D832,357 S 10/2018 Castro
 D832,358 S 10/2018 Castro
 D836,164 S 12/2018 Castro
 D839,357 S 1/2019 Steelman
 D842,930 S 3/2019 Johnson
 D842,932 S 3/2019 Stair
 D842,933 S 3/2019 Castro
 D843,458 S 3/2019 Castro
 D843,459 S 3/2019 Castro
 D843,460 S 3/2019 Castro
 D843,461 S 3/2019 Castro
 D843,462 S 3/2019 Castro
 D843,463 S 3/2019 Castro
 D843,464 S 3/2019 Castro
 D843,465 S 3/2019 Castro
 D843,466 S 3/2019 Castro
 D843,467 S 3/2019 Johnson
 D843,468 S 3/2019 Johnson
 D843,473 S 3/2019 Zedell, Jr.
 D843,474 S 3/2019 Lesley
 D843,475 S 3/2019 Lesley
 D843,476 S 3/2019 Lesley
 D843,477 S 3/2019 Lesley
 D843,478 S 3/2019 Lesley
 D843,479 S 3/2019 Castro
 D843,480 S 3/2019 Castro
 D843,482 S 3/2019 Holland
 D844,062 S 3/2019 Lesley
 D846,650 S 4/2019 Stair
 D850,536 S 6/2019 Stair
 D850,537 S 6/2019 Urban
 D851,705 S * 6/2019 Steelman D21/369
 D855,112 S 7/2019 Glenn, II
 D855,113 S 7/2019 Glenn, II

D855,114 S 7/2019 Glenn, II
 D866,667 S 11/2019 Stair
 D870,820 S 12/2019 Urban
 D871,506 S 12/2019 Castro
 D871,507 S 12/2019 Urban
 D872,188 S 1/2020 Bernard
 D872,189 S 1/2020 Bernard
 D872,190 S 1/2020 Zedell, Jr.
 D873,821 S * 1/2020 Song D14/371
 D873,921 S 1/2020 Bernard
 D880,606 S 4/2020 Glenn, II
 D880,607 S 4/2020 Priddy
 D880,608 S 4/2020 Glenn, II
 D880,610 S 4/2020 Glenn, II
 D880,611 S 4/2020 Glenn, II
 D880,612 S 4/2020 Bernard
 D880,613 S 4/2020 Bernard
 D880,614 S 4/2020 Bernard
 D880,615 S 4/2020 Bernard
 D881,284 S 4/2020 Glenn
 D881,285 S 4/2020 Glenn
 D881,995 S 4/2020 Bernard
 D882,694 S 4/2020 Glenn, II
 D882,695 S 4/2020 Glenn, II
 D882,696 S 4/2020 Lesley
 D882,697 S 4/2020 Lesley
 D882,698 S 4/2020 Lesley
 D884,079 S 5/2020 Glenn, II
 D886,905 S 6/2020 Bernard
 D887,495 S 6/2020 Bernard
 D887,496 S 6/2020 Urban
 D888,834 S 6/2020 Lee
 D889,545 S 7/2020 Jones
 D889,546 S 7/2020 Jones
 D889,547 S 7/2020 Jones
 D890,264 S 7/2020 Johnson
 D890,849 S * 7/2020 Johnson D21/369
 D890,850 S 7/2020 Johnson
 D890,851 S 7/2020 Johnson
 D892,220 S 8/2020 Park
 D893,630 S 8/2020 Urban
 D893,631 S 8/2020 Glinka
 D894,285 S 8/2020 Glenn, II
 D895,019 S 9/2020 Lesley
 D896,312 S 9/2020 Castro
 D896,313 S 9/2020 Castro
 D896,314 S 9/2020 Castro
 D896,315 S 9/2020 Castro
 D898,127 S 10/2020 Bristol
 D898,128 S 10/2020 Urban
 D902,319 S 11/2020 Hohman
 D904,522 S 12/2020 Holland
 D905,172 S 12/2020 Boese
 D906,432 S 12/2020 Johnson
 D906,433 S 12/2020 Abele
 D907,123 S 1/2021 Abele
 D907,125 S 1/2021 Abele
 D907,126 S 1/2021 Abele
 D907,714 S 1/2021 Abele
 D907,715 S 1/2021 Abele
 D908,802 S 1/2021 Holland
 D909,479 S 2/2021 Abele
 D910,116 S * 2/2021 Castro D21/369
 D913,378 S * 3/2021 Glenn, II D21/369
 D913,379 S * 3/2021 Calhoun Lewis D21/369
 D923,102 S * 6/2021 McGahn D21/370
 D926,889 S * 8/2021 Bruzzese D21/369
 D954,830 S * 6/2022 Bussey D21/325
 D954,844 S * 6/2022 Rosander D21/369
 D954,845 S * 6/2022 Johnson D21/369
 D969,927 S * 11/2022 Lee D21/369
 11,532,199 B2 * 12/2022 Urban G07F 17/3211
 2012/0287021 A1 11/2012 Park

(56)

References Cited

U.S. PATENT DOCUMENTS

2017/0004673 A1 1/2017 Loose
 2022/0180695 A1* 6/2022 Fritz G07F 17/3216

FOREIGN PATENT DOCUMENTS

AU 201614797 10/2016
 AU 201711501 4/2017
 AU 201711504 4/2017
 AU 201711505 4/2017
 AU 201711635 4/2017
 AU 201711650 4/2017
 AU 201711655 4/2017
 AU 201711658 4/2017
 AU 201713995 7/2017
 AU 201713998 7/2017
 AU 201715949 10/2017
 AU 201715914 12/2017
 AU 201717494 12/2017
 AU 201717495 12/2017
 AU 201811198 3/2018
 AU 201811199 3/2018
 AU 201811904 4/2018
 AU 201811905 4/2018
 AU 201811906 4/2018
 AU 201813410 7/2018
 AU 201813411 8/2018
 AU 201814901 9/2018
 AU 201814920 9/2018
 AU 201814988 9/2018
 AU 201814987 11/2018
 AU 201911066 4/2019
 AU 201911829 5/2019
 AU 201917391 3/2020
 AU 201917394 3/2020
 AU 202010590 3/2020
 AU 202010592 3/2020
 AU 202013926 10/2020
 AU 202015381 11/2020
 AU 202016461 1/2021
 AU 202016462 1/2021
 CA 177265 9/2018
 CA 178255 11/2018
 CA 186862 10/2020
 EM 0019672580007 12/2011
 EM 0038523000001 4/2017
 EM 0038572590001 4/2017
 EM 0038575070001 4/2017

EM 0040740030001 6/2017
 EM 0043882880001 10/2017
 EM 0045237440003 11/2017
 EM 0046797360001 1/2018
 EM 0046890810001 2/2018
 EM 0057540820001 10/2018
 EM 0061330880009 1/2019
 EM 0063290740001 3/2019
 EM 0065645550003 6/2019
 EM 0075680920001 1/2020
 EM 0075691990007 1/2020
 EM 0075691990008 1/2020
 EM 0075691990009 1/2020
 EM 0075691990010 1/2020
 EM 0075691990011 1/2020
 EM 0075691990012 1/2020
 EM 0075691990013 1/2020
 EM 0075691990014 1/2020
 EM 0075691990016 1/2020
 EM 0075691990017 1/2020
 EM 0075691990018 1/2020
 EM 0075691990019 1/2020
 EM 0075691990020 1/2020
 JP 1310467 9/2007
 JP 1589479 10/2017
 JP 1589480 10/2017
 JP 1619056 11/2018
 KR 300898426 3/2017
 KR 300898427 3/2017
 KR 300898428 3/2017
 KR 300910574 6/2017
 KR 300910575 6/2017
 KR 300975289 9/2018
 KR 300987778 12/2018
 KR 300987779 12/2018
 KR 300990914 1/2019
 KR 300990915 1/2019
 KR 300990916 1/2019
 KR 300990917 1/2019
 KR 300997319 3/2019
 KR 301007839 5/2019
 KR 301016910 7/2019
 KR 301016911 7/2019
 KR 301016912 7/2019
 KR 301021980 8/2019
 KR 301021981 8/2019
 KR 301021982 8/2019
 KR 301021983 8/2019
 KR 301021984 8/2019

* cited by examiner

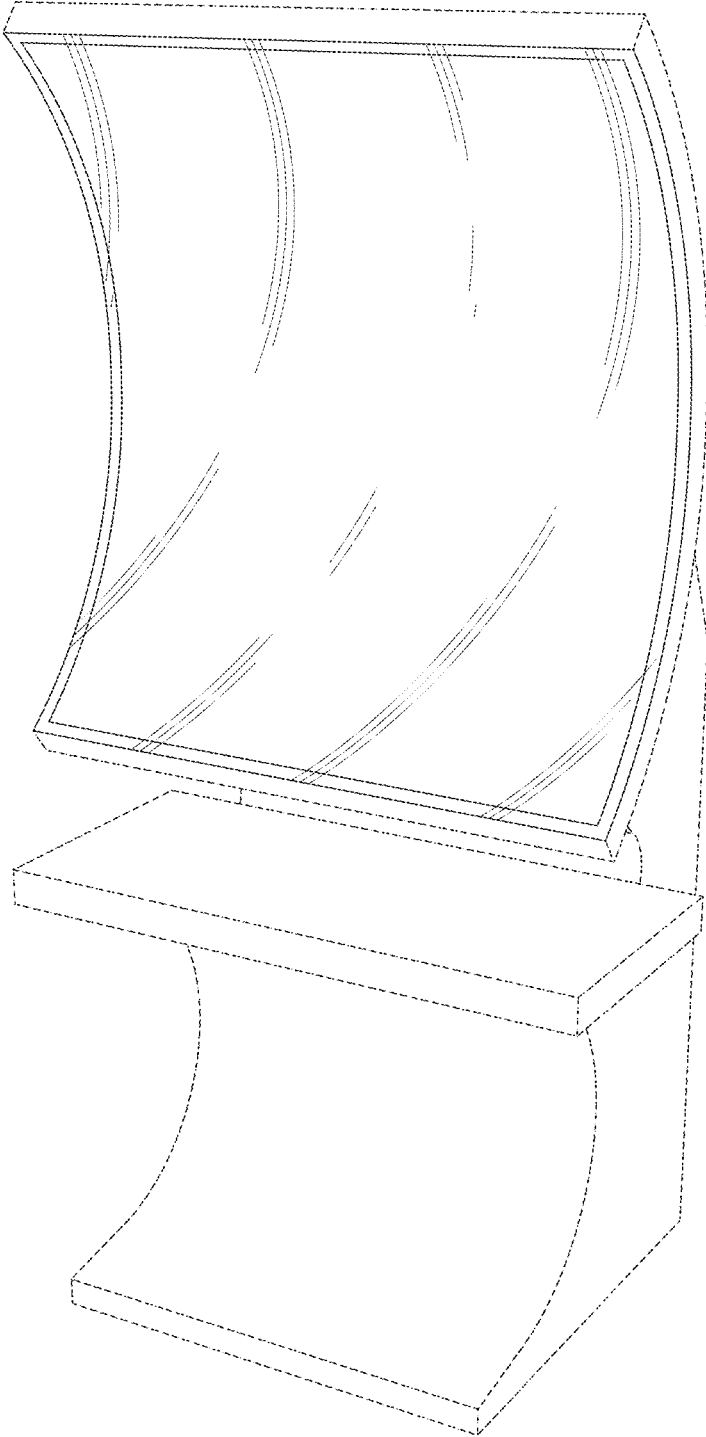


FIG. 1

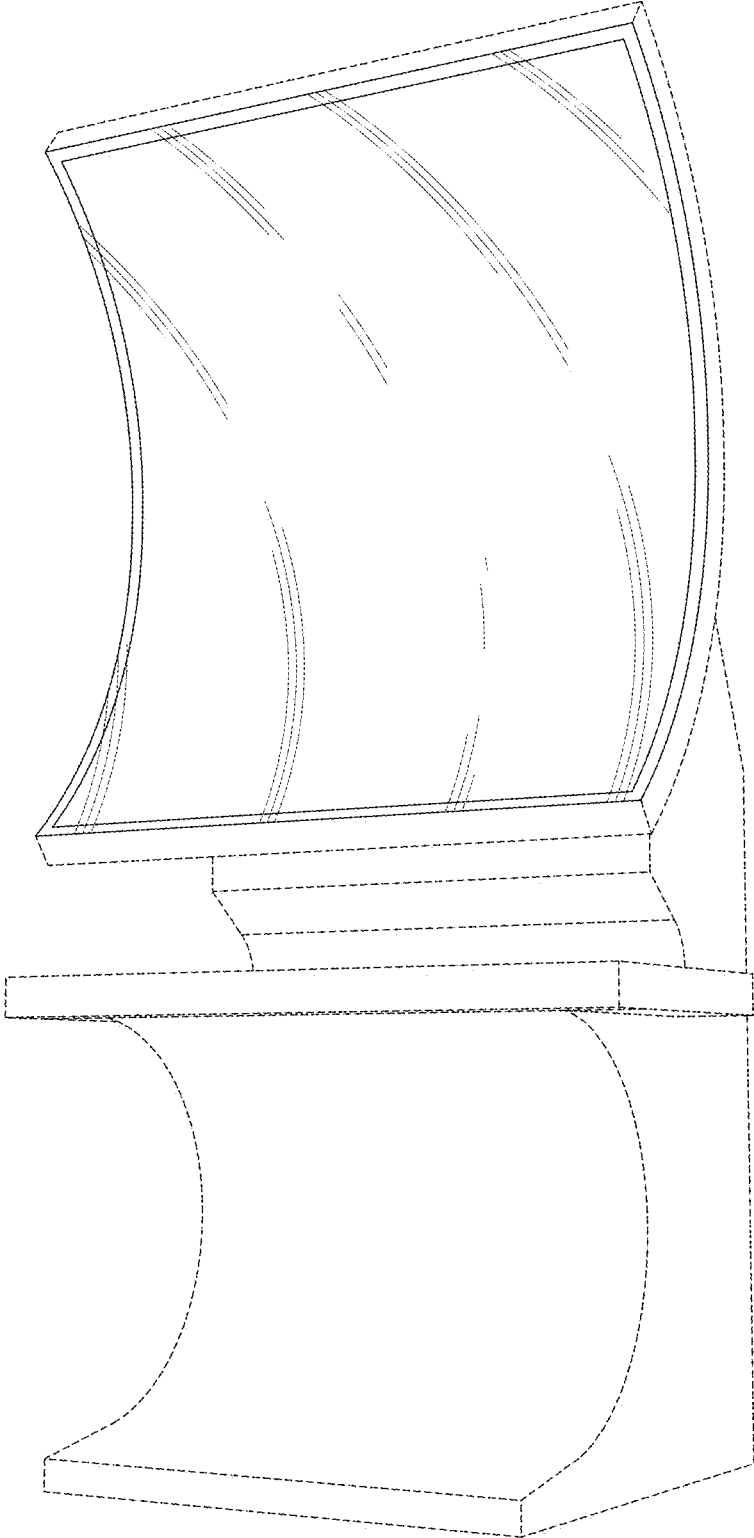


FIG. 2

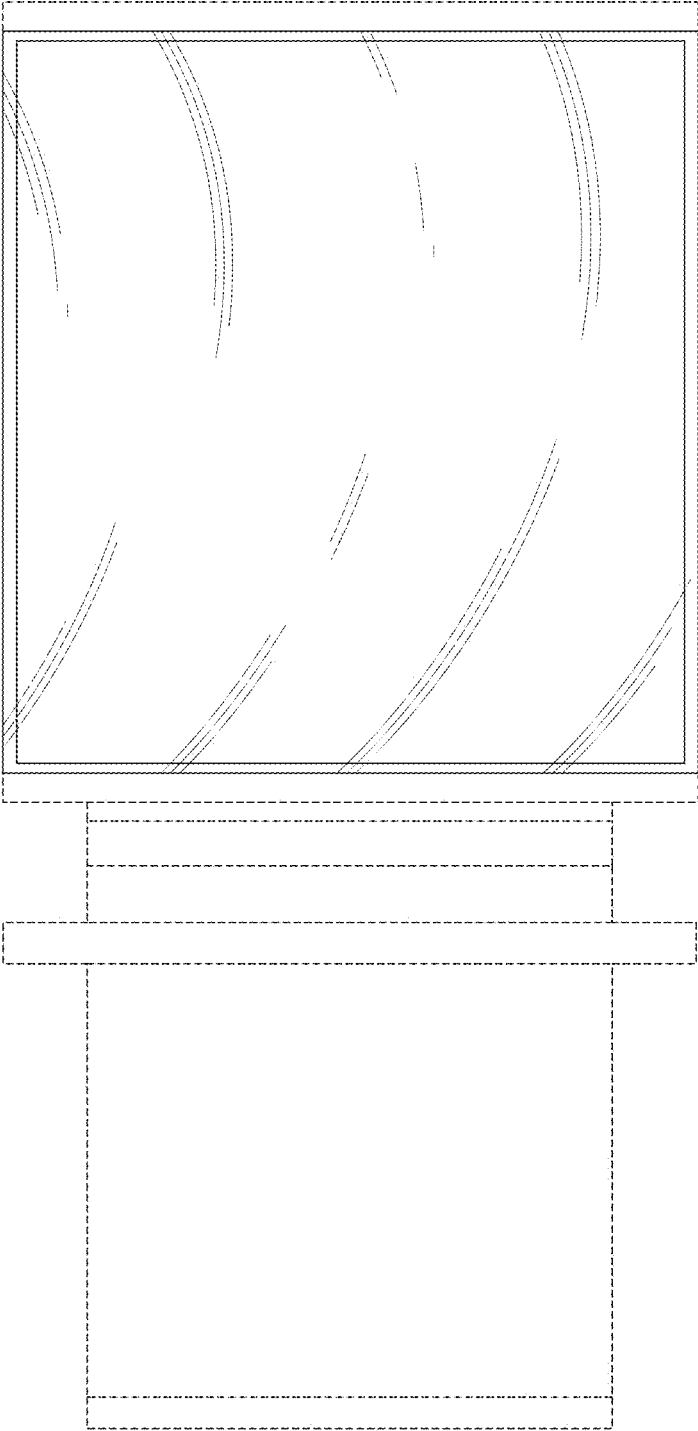


FIG. 3

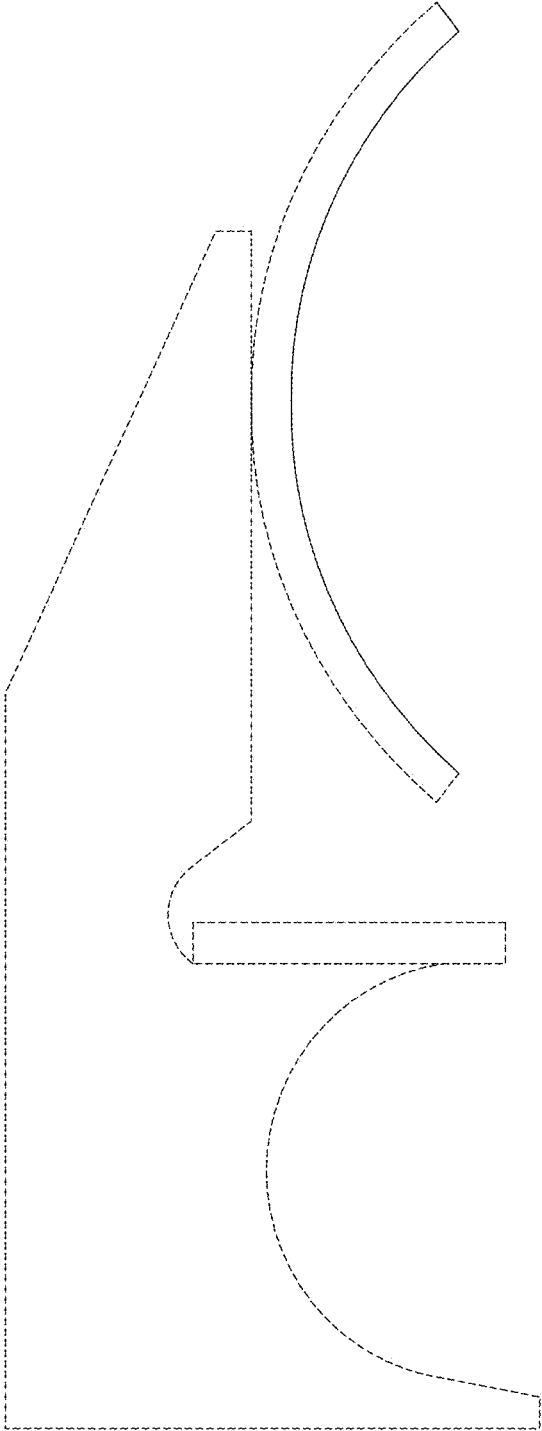


FIG. 4

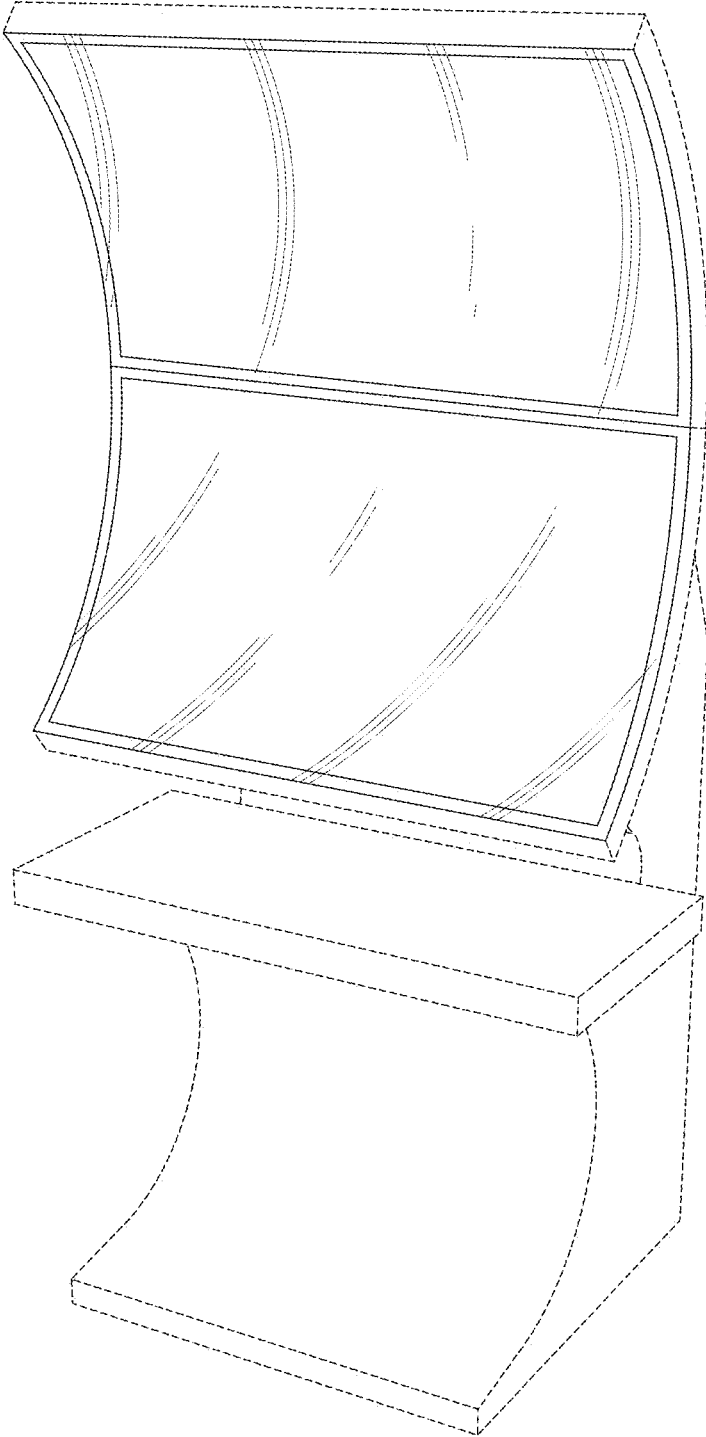


FIG. 5

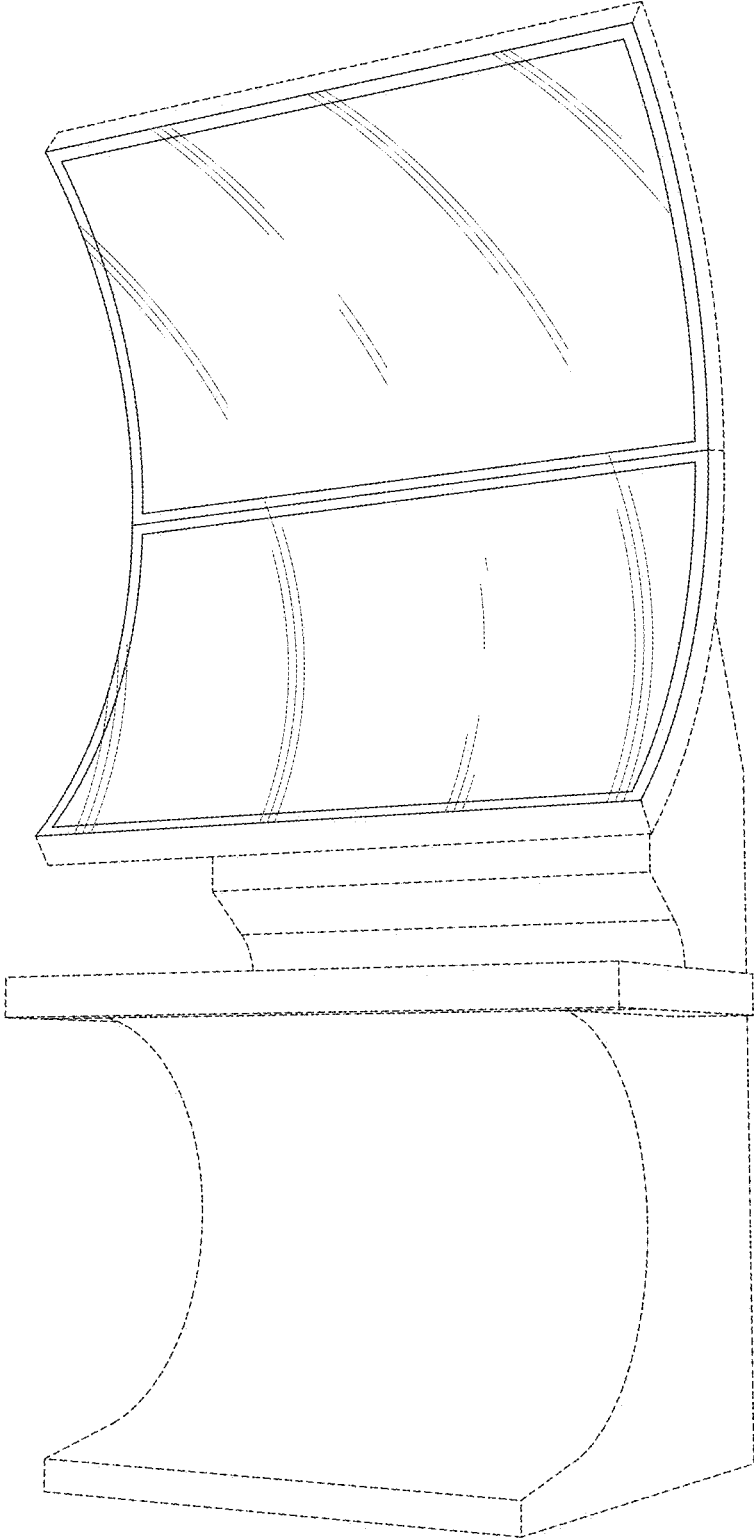


FIG. 6

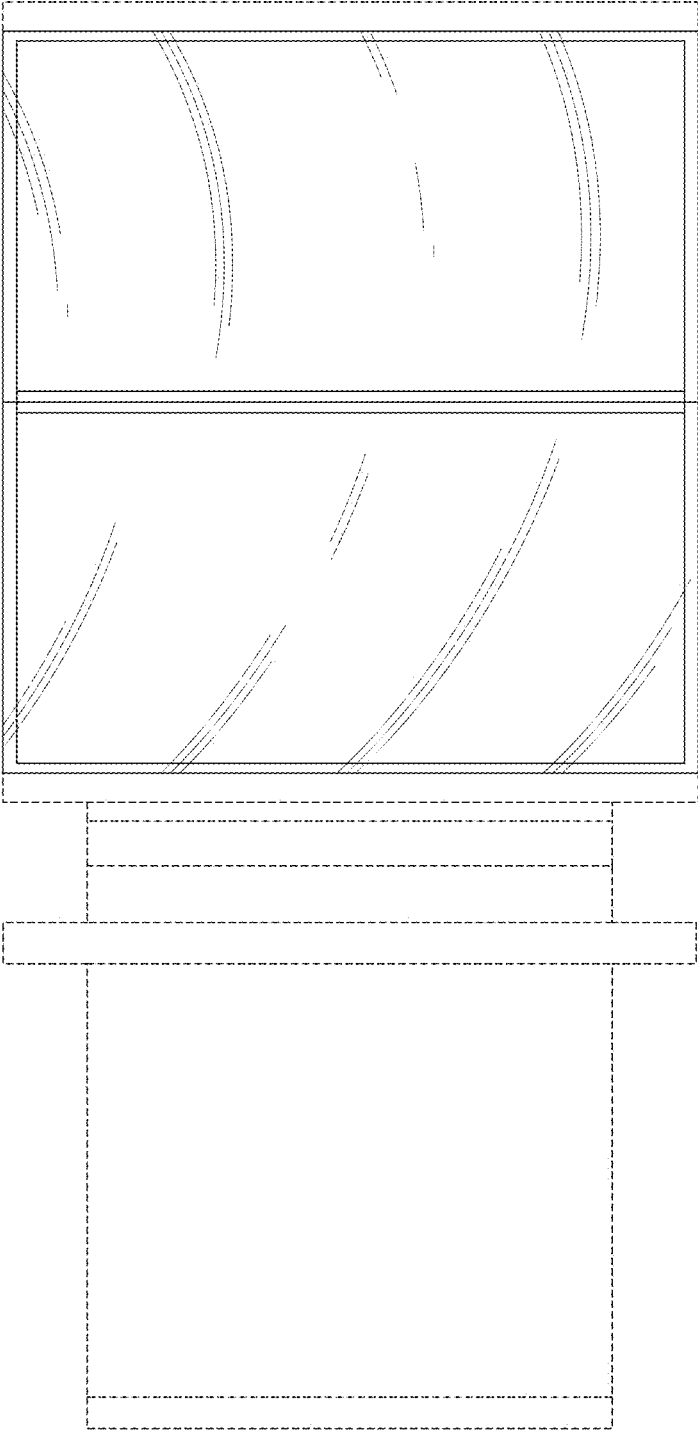


FIG. 7

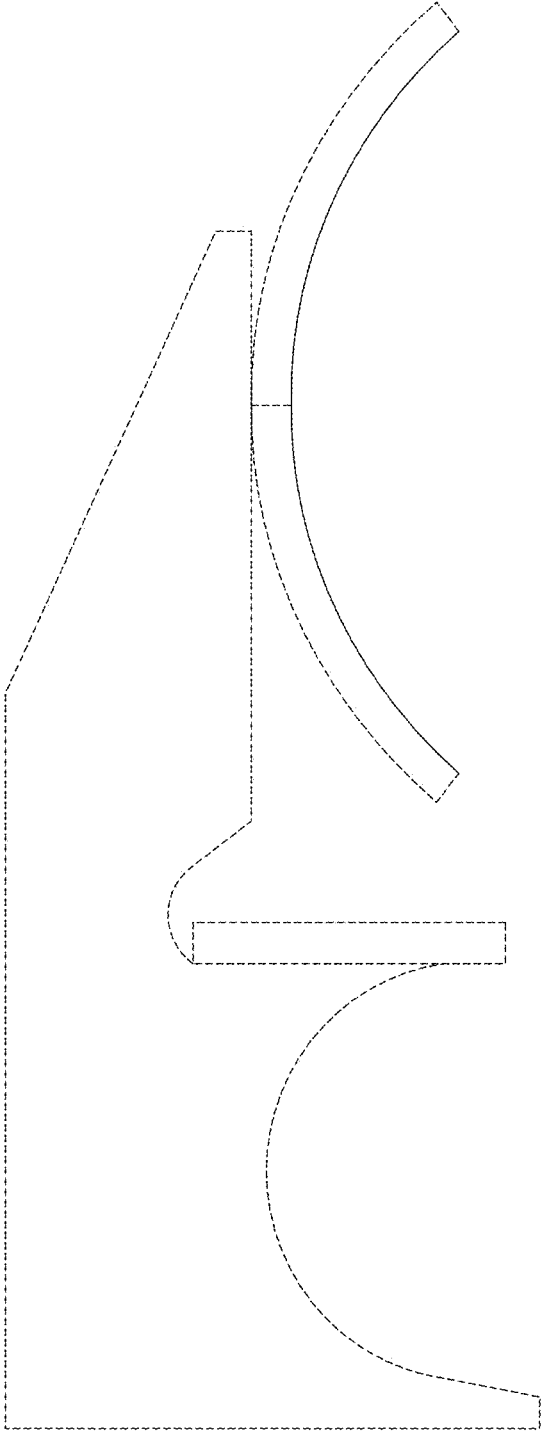


FIG. 8