



US00D468119S

(12) **United States Design Patent**  
**Zaidman**

(10) **Patent No.:** **US D468,119 S**

(45) **Date of Patent:** **\*\* Jan. 7, 2003**

(54) **CHAIR**

(75) **Inventor:** **Paul Zaidman, Winnipeg (CA)**

(73) **Assignee:** **Chairworks Taiwan Limited (CN)**

(\*\*) **Term:** **14 Years**

(21) **Appl. No.:** **29/143,298**

(22) **Filed:** **Jun. 11, 2001**

(30) **Foreign Application Priority Data**

Dec. 12, 2000 (CA) ..... 2000-3285

(51) **LOC (7) Cl.** ..... **06-01**

(52) **U.S. Cl.** ..... **D6/365**

(58) **Field of Search** ..... D6/334, 344, 364,  
D6/365, 367, 368, 500-502; 297/68, 317,  
451.4, 451.5, 452.35, 452.36

(56) **References Cited**

**U.S. PATENT DOCUMENTS**

- D286,105 S \* 10/1986 Goldman ..... D6/365
- D291,265 S \* 8/1987 Heggdal et al. .... D6/367
- D298,491 S \* 11/1988 Haukvik et al. .... D6/367
- D316,936 S \* 5/1991 Ekornes et al. .... D6/365

- D364,283 S \* 11/1995 Zaidman ..... D6/365
- 5,782,535 A \* 7/1998 Lafer ..... 297/68
- D405,282 S \* 2/1999 Desnoyers et al. .... D6/365
- D414,630 S \* 10/1999 Buscio et al. .... D6/500
- D415,373 S \* 10/1999 Zaidman ..... D6/500
- D417,982 S \* 12/1999 Zaidman ..... D6/500

\* cited by examiner

*Primary Examiner*—Stacia Cadmus

*Assistant Examiner*—Mimosa De

(74) *Attorney, Agent, or Firm*—Bierman, Muserlian and Lucas

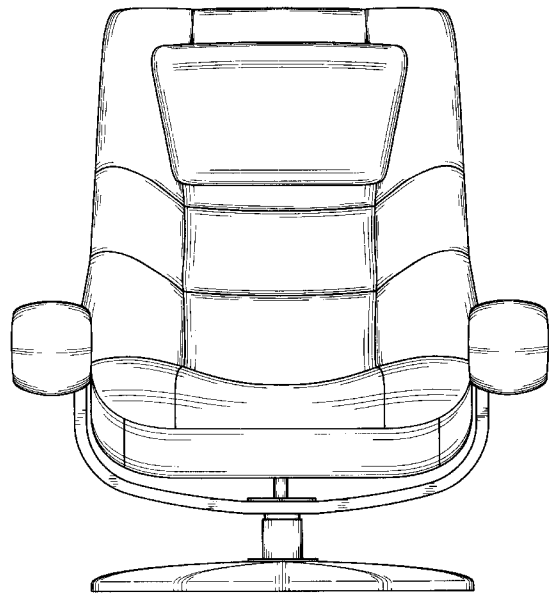
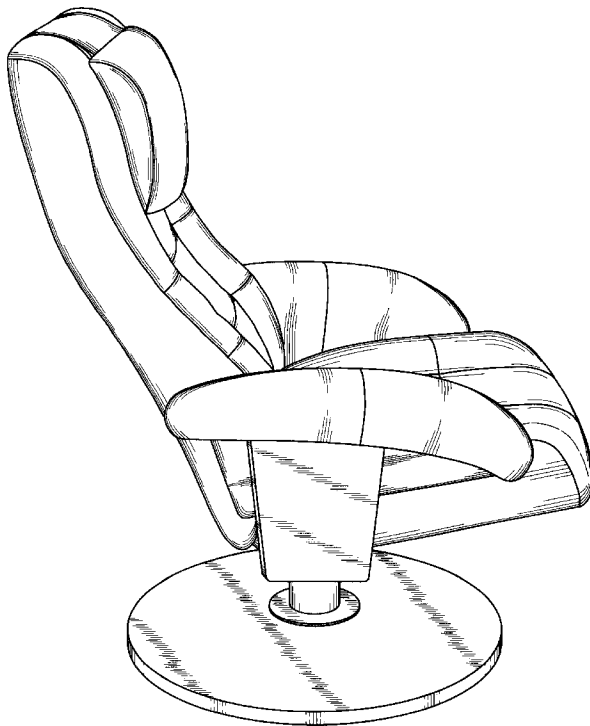
(57) **CLAIM**

The ornamental design for a chair, substantially as shown and described.

**DESCRIPTION**

FIG. 1 is a perspective view of my chair design; FIG. 2 is a front view of my chair design; FIG. 3 is a back view of my chair design; FIG. 4 is a side view of my chair design; FIG. 5 is a top view of my chair design; and, FIG. 6 is a bottom view of my chair design.

**1 Claim, 6 Drawing Sheets**



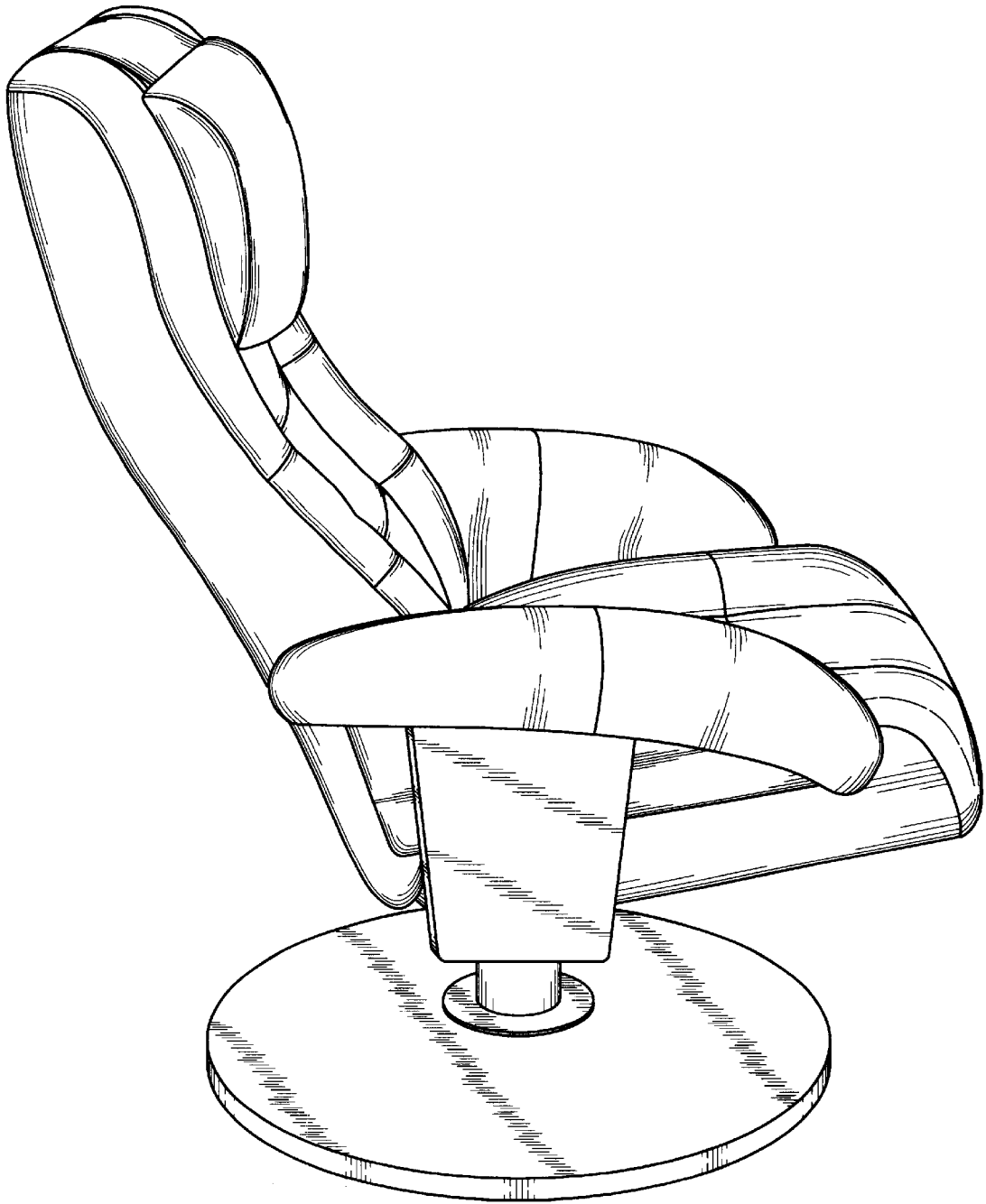


FIG. 1

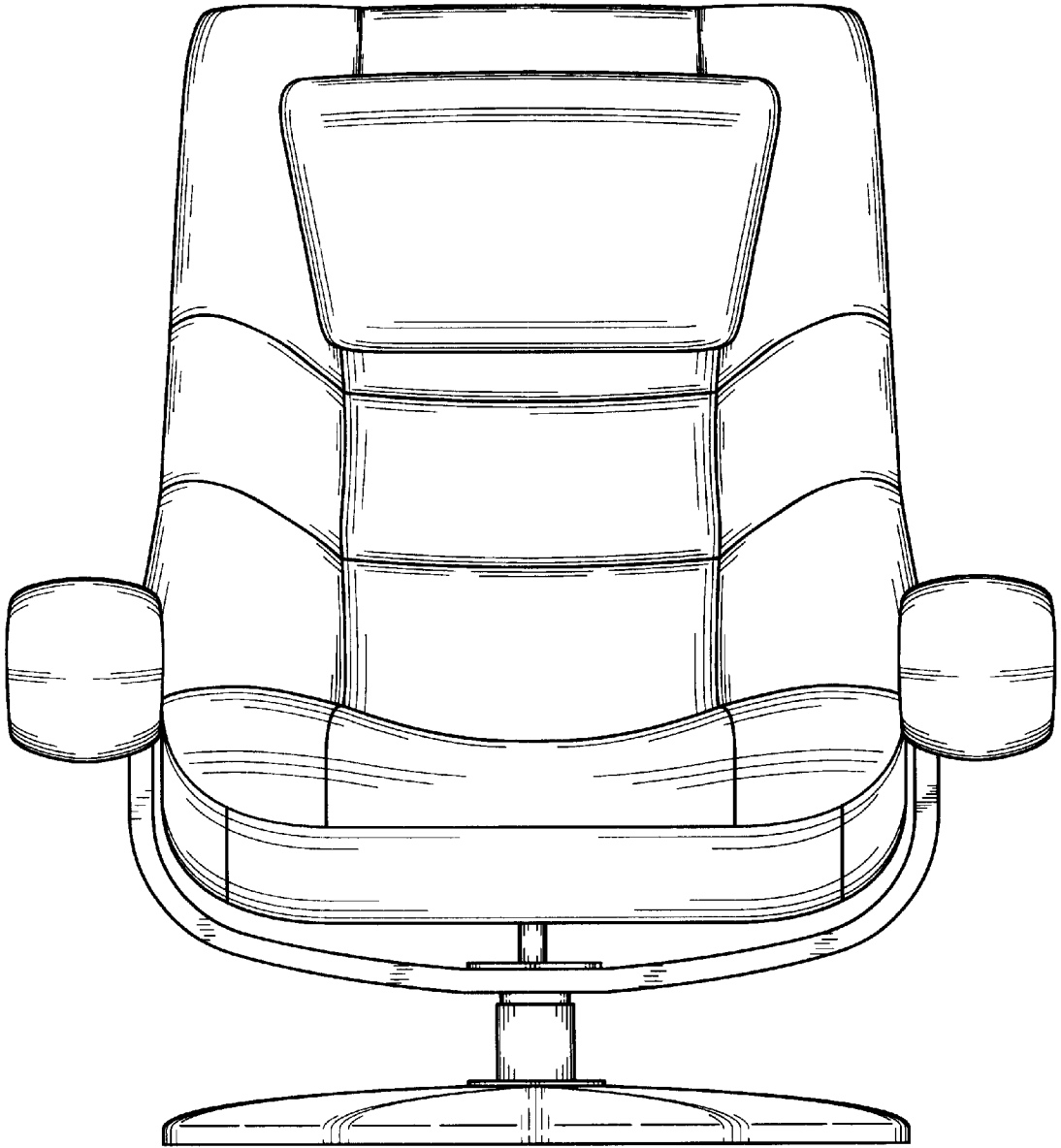


FIG. 2

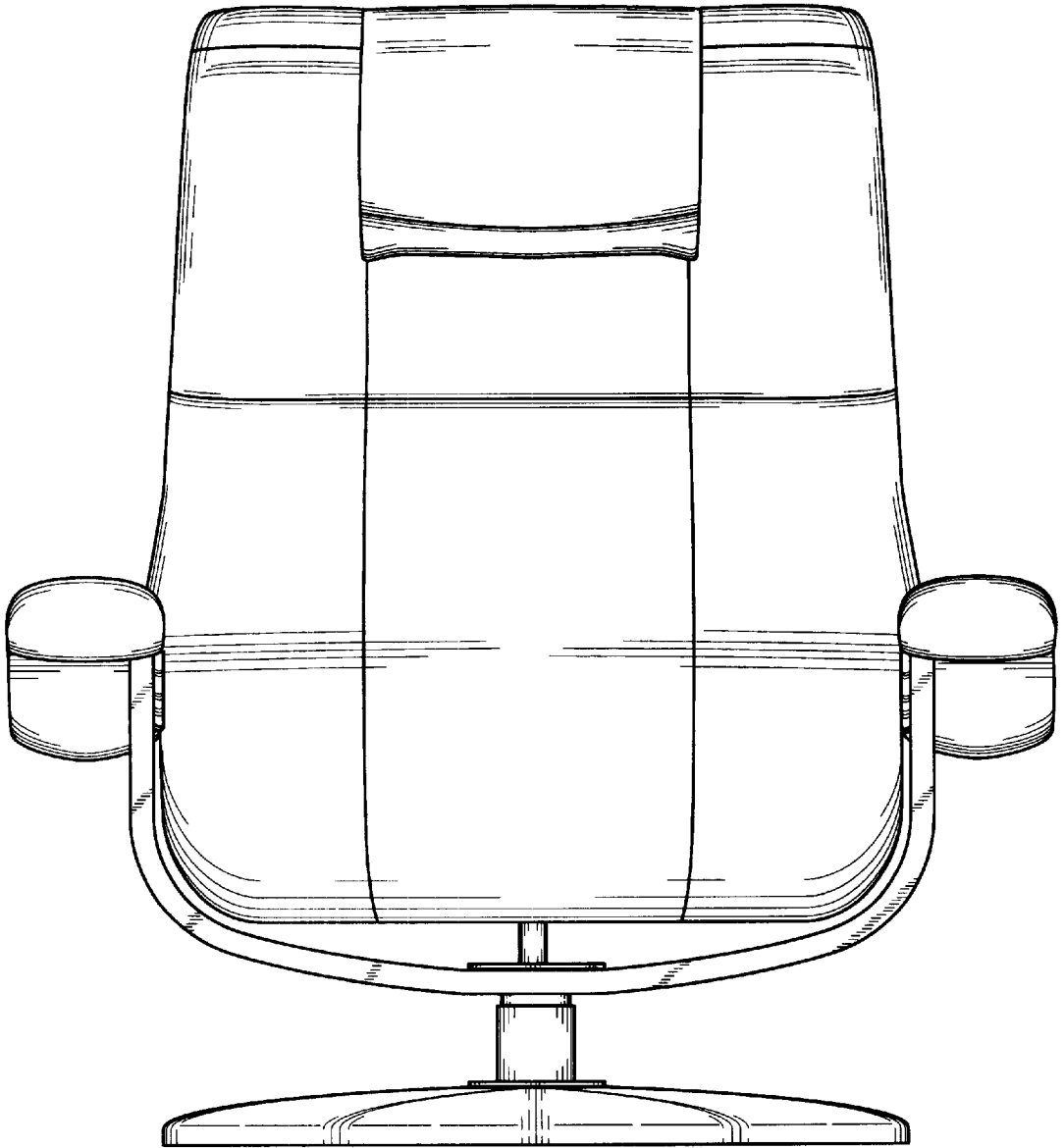


FIG. 3



FIG. 4

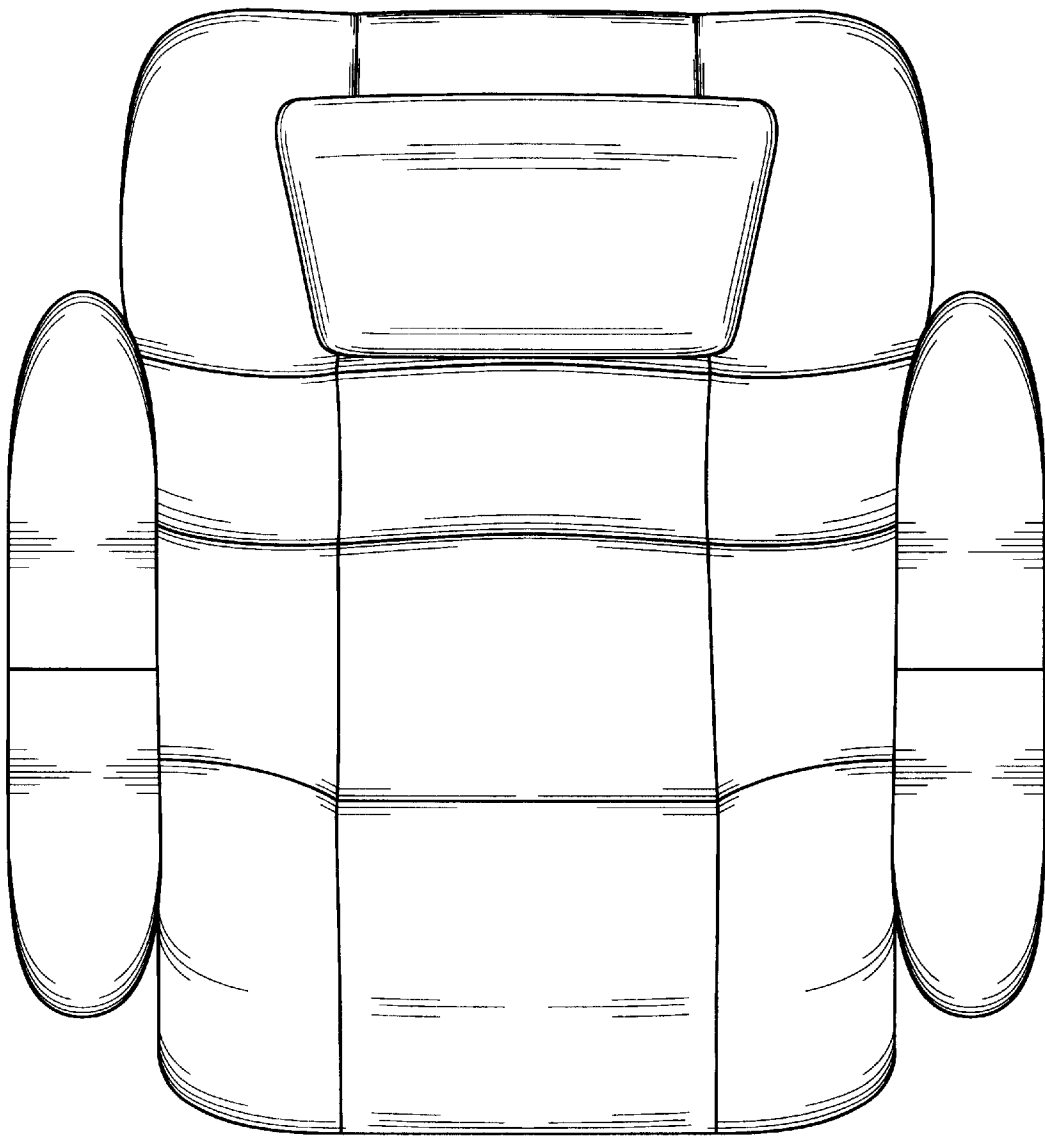


FIG. 5

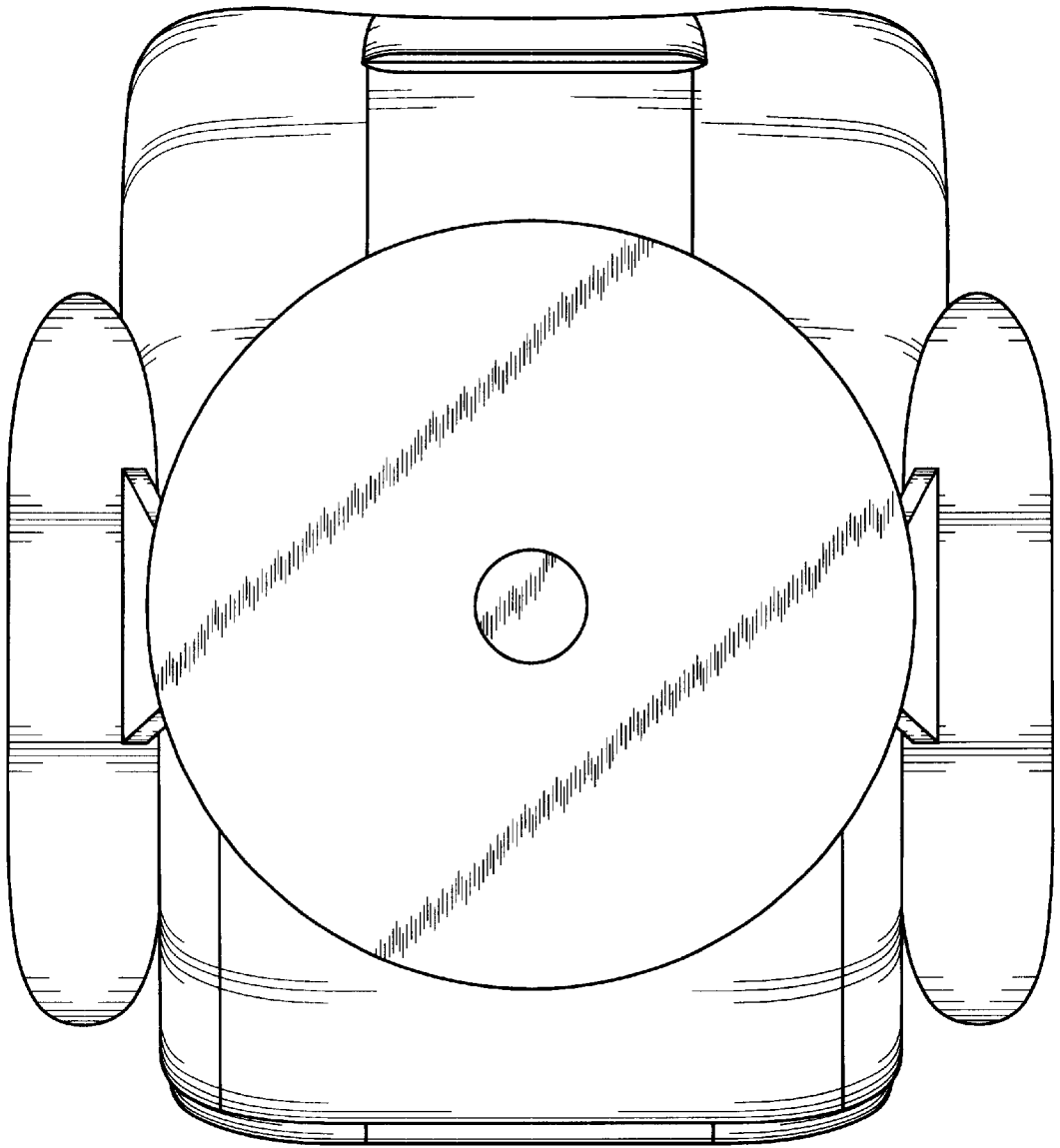


FIG. 6