



US00D832732S

(12) **United States Design Patent**  
**Hahn et al.**

(10) **Patent No.:** **US D832,732 S**

(45) **Date of Patent:** **\*\* Nov. 6, 2018**

(54) **WATCH BAND ATTACHMENT**

(71) Applicant: **Nomad Goods, Inc.**, Santa Barbara, CA (US)

(72) Inventors: **Brian Hahn**, Summerland, CA (US);  
**Noah Dentzel**, Summerland, CA (US);  
**Pete Ducato**, Santa Barbara, CA (US);  
**Ryan Olson**, Santa Barbara, CA (US)

(73) Assignee: **Nomad Goods, Inc.**, Santa Barbara, CA (US)

(\*\*) Term: **15 Years**

(21) Appl. No.: **29/561,145**

(22) Filed: **Apr. 13, 2016**

(51) **LOC (11) Cl.** ..... **10-07**

(52) **U.S. Cl.**  
USPC ..... **D10/128**

(58) **Field of Classification Search**  
USPC ..... D10/1-3, 30-39, 122-132; D11/1-3, 87,  
D11/93-94; D14/344  
See application file for complete search history.

(56) **References Cited**

**U.S. PATENT DOCUMENTS**

D53,974 S *	10/1919	Wadsworth	.....	D10/128
2,713,445 A *	7/1955	Speck	.....	A44C 5/14
				24/265 B
3,678,544 A *	7/1972	Bert	.....	A44C 5/14
				24/265 B
3,889,323 A *	6/1975	Reith	.....	A44C 5/14
				224/177
RE28,793 E *	5/1976	Bert	.....	A44C 5/14
				224/164
4,432,476 A *	2/1984	Yokosuka	.....	A44C 5/14
				224/164
D305,743 S *	1/1990	Hirsch	.....	D11/94

D628,511 S *	12/2010	Wolfgang	.....	D11/94
D647,000 S *	10/2011	Kerker	.....	D11/234
8,967,437 B2 *	3/2015	Wilson	.....	A45F 5/00
				224/152

(Continued)

**OTHER PUBLICATIONS**

Click Wristband Adapters | posted at iphonelife.com Feb. 2016 © 2016 Mango Life Media, Inc. [online][site visited May 4, 2018]. Available from Internet: <https://www.iphonelife.com/content/7-awesome-apple-watch-accessories> p. 2 (Year: 2015).\*

(Continued)

*Primary Examiner* — Sandra S Snapp  
*Assistant Examiner* — Katherine Glennon  
(74) *Attorney, Agent, or Firm* — SoCal IP Law Group  
LLP; Steven C. Sereboff

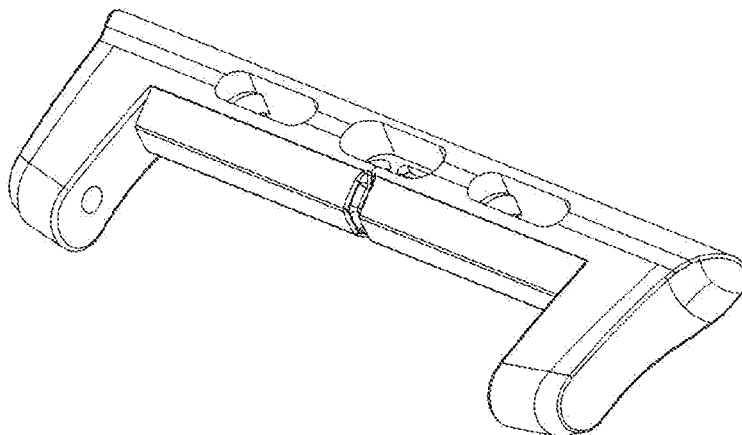
(57) **CLAIM**

We claim the ornamental design for a watch band attachment, as shown and described.

**DESCRIPTION**

FIG. 1 is a perspective view of a watch band attachment, showing our new design;  
FIG. 2 is a top plan view thereof;  
FIG. 3 is a bottom plan view thereof;  
FIG. 4 is a right elevational view thereof;  
FIG. 5 is a left elevational view thereof;  
FIG. 6 is a front elevational view thereof;  
FIG. 7 is a back elevational view thereof; and,  
FIG. 8 is a perspective view thereof in an environment in which it may be used.  
The broken lines in FIG. 3 show portions of the watch band attachment that form no part of the claimed design. The broken lines showing the watch, watch band, and second watch band attachment are for environmental purposes and form no part of the claimed design.

**1 Claim, 8 Drawing Sheets**



(56)

## References Cited

## U.S. PATENT DOCUMENTS

D769,146 S \* 10/2016 Firth ..... D10/128  
D770,974 S \* 11/2016 Dentzel ..... D13/108  
D787,981 S \* 5/2017 Hahn ..... D11/237  
D798,189 S \* 9/2017 Nielsen ..... D10/128  
D807,777 S \* 1/2018 Lowe ..... D11/94  
9,877,549 B2 \* 1/2018 Perkins ..... A44B 17/0011  
9,894,964 B2 \* 2/2018 Perkins ..... A44C 5/14  
D815,089 S \* 4/2018 Grening ..... D14/344  
2013/0152542 A1 \* 6/2013 Kaltenrieder ..... A44C 5/185  
59/82  
2014/0083133 A1 \* 3/2014 Lee ..... A44C 5/14  
63/3.1  
2015/0107299 A1 \* 4/2015 Knuchel ..... A44C 5/02  
63/3.2  
2016/0037877 A1 \* 2/2016 Perkins ..... A44C 5/14  
224/164  
2016/0206056 A1 \* 7/2016 Pluemer ..... A44C 5/20  
2017/0086538 A1 \* 3/2017 Siahahan ..... A44C 5/14  
2017/0185044 A1 \* 6/2017 Nicolas ..... G04B 37/1486  
2018/0084873 A1 \* 3/2018 Kallman ..... A44C 5/14

## OTHER PUBLICATIONS

Jiafeng Watch Band Adapter | posted at amazon.com; review date Jun. 2015 © 1996-2018, Amazon.com, Inc.[online][site visited May 4, 2018]. Available from Internet: <<https://www.amazon.com/JIAFENG-Watch-Adapter-Connection-iwatch/dp/B00XWCG6VA> (Year: 2015).\*

Nomad Traditional Strap | posted at hellonomad.com n.d. Nomad® 2018 Nomad Goods, Inc. [online][site visited May 4, 2018]. Available from Internet: <<https://www.hellonomad.com/leather-strap-traditional-rustic-brown-silver-hardware>> (Year: 2018).\*

\* cited by examiner

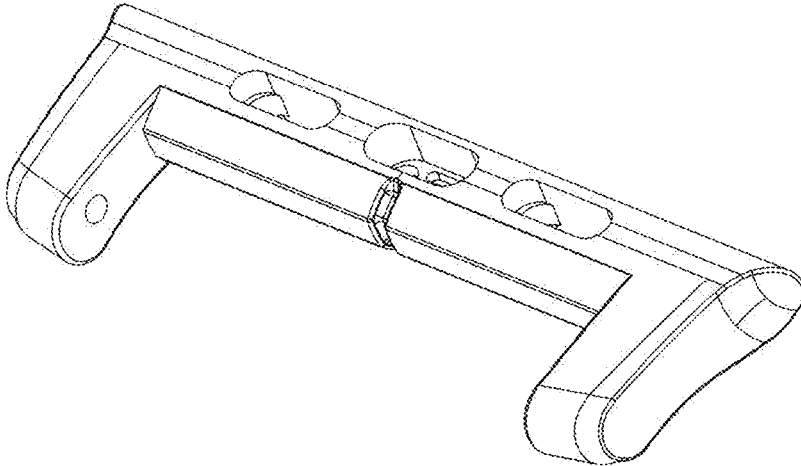


FIG. 1

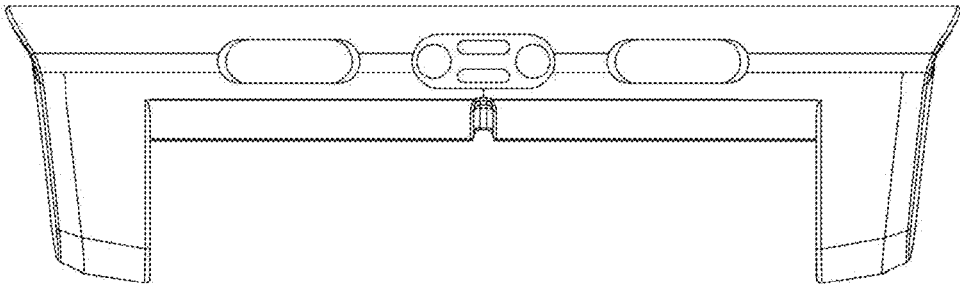


FIG. 2

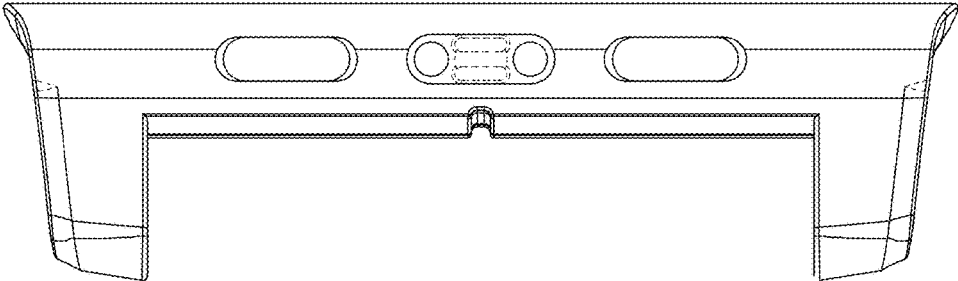


FIG. 3



FIG. 4



FIG. 5

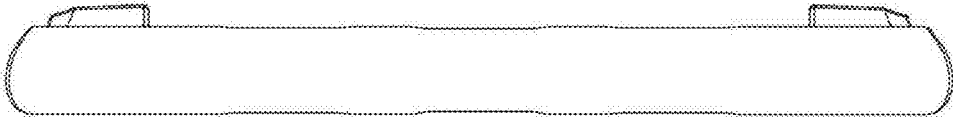


FIG. 6



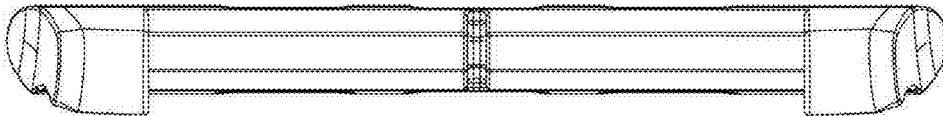


FIG. 7

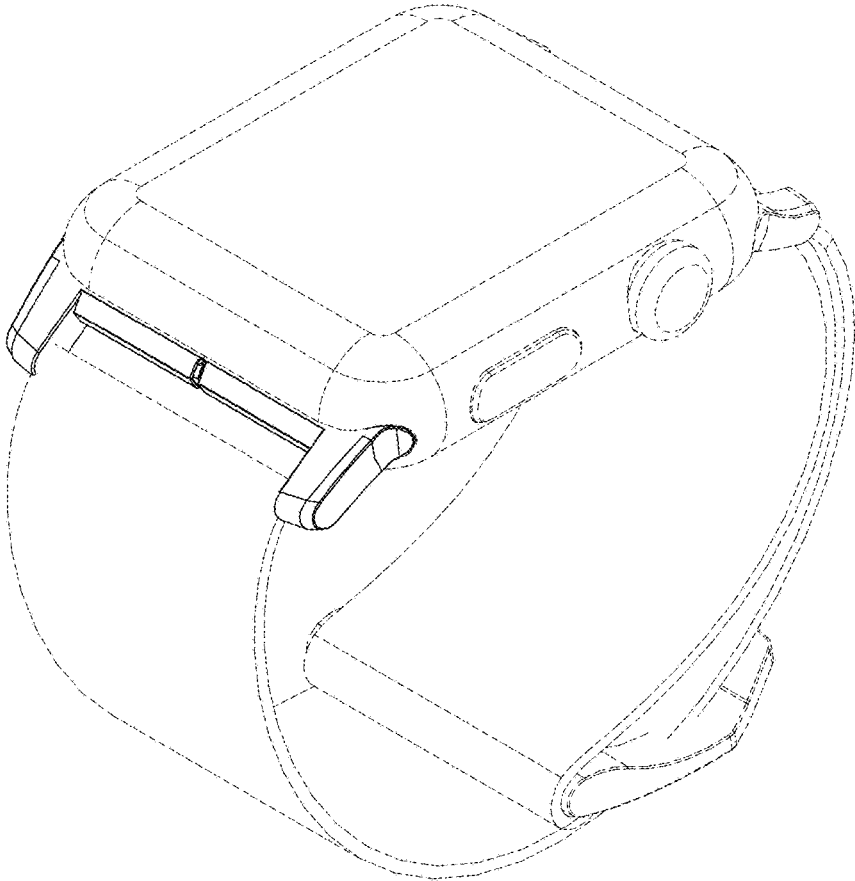


FIG. 8