



US00D631608S

(12) **United States Design Patent**  
**Pires et al.**

(10) **Patent No.:** **US D631,608 S**

(45) **Date of Patent:** **\*\* Jan. 25, 2011**

(54) **COSMETIC CONTAINER**

(75) Inventors: **Leo Clifford Pires**, Basking Ridge, NJ (US); **Roger Hwang**, Maple (CA); **Iti Seth**, New Delhi (IN); **Vaishali Srivastava**, New Delhi (IN); **Shourya Asthana**, New Delhi (IN)

(73) Assignee: **Zen Design Solutions Limited**, Hong Kong (HK)

(\*\*) Term: **14 Years**

(21) Appl. No.: **29/356,224**

(22) Filed: **Feb. 22, 2010**

(51) **LOC (9) Cl.** ..... **28-03**

(52) **U.S. Cl.** ..... **D28/82**

(58) **Field of Classification Search** ..... 206/823, 206/581; D28/73, 76-84, 64.1; 132/286-288, 132/293-307, 314-316

See application file for complete search history.

(56) **References Cited**

**U.S. PATENT DOCUMENTS**

D319,897	S	*	9/1991	Bakic	.....	D28/82
5,205,431	A	*	4/1993	Zinnbauer	.....	132/293
D398,079	S	*	9/1998	Denison	.....	D28/82
D424,749	S	*	5/2000	Zalzal	.....	D28/76
D442,338	S	*	5/2001	Roman	.....	D28/82
D622,003	S	*	8/2010	Naughton et al.	.....	D28/82

2009/0272399 A1\* 11/2009 Kim ..... 132/293  
2010/0096410 A1\* 4/2010 Deans ..... 132/301

\* cited by examiner

*Primary Examiner*—Jennifer Rivard  
(74) *Attorney, Agent, or Firm*—Patterson & Sheridan, LLP; Keith P. Taboada

(57) **CLAIM**

The ornamental design for a cosmetic container, as shown and described.

**DESCRIPTION**

FIG. 1 illustrates an isometric view of a cosmetic container in closed position according to one embodiment of the invention;

FIG. 2 is a front view of the cosmetic container of FIG. 1;

FIG. 3 is a rear view of the cosmetic container of FIG. 1;

FIG. 4 is a right side view of the cosmetic container of FIG. 1;

FIG. 5 is a left side view of the cosmetic container of FIG. 1;

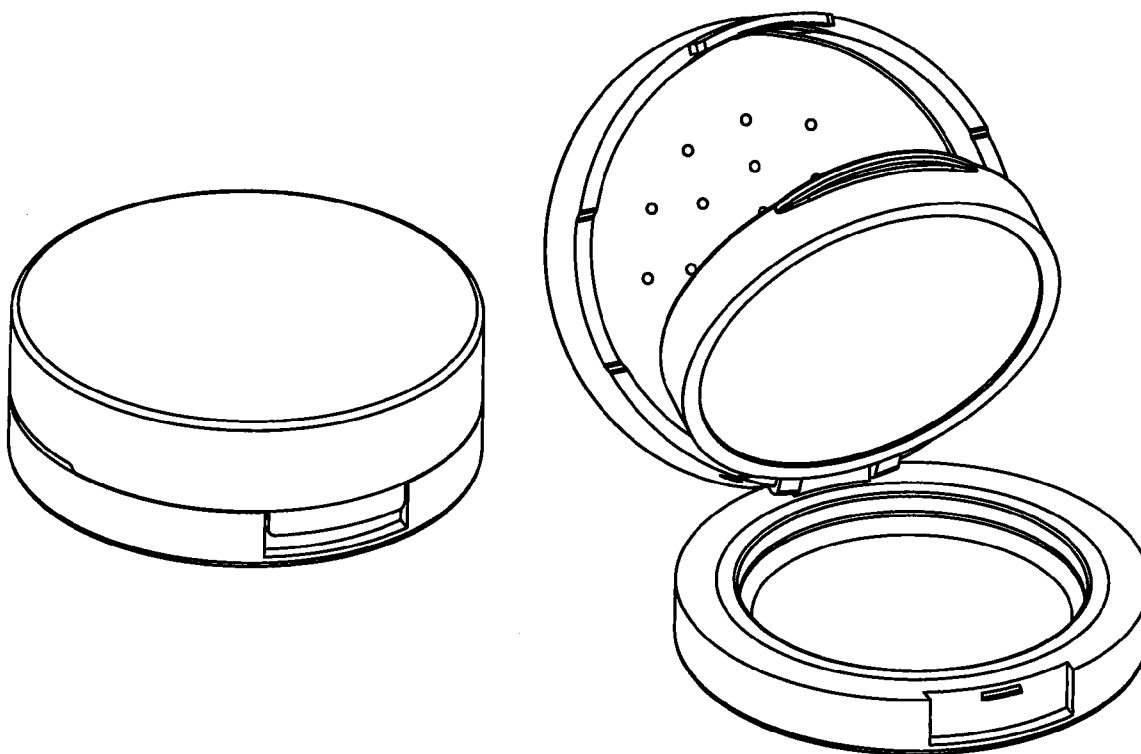
FIG. 6 is a top view of the cosmetic container of FIG. 1;

FIG. 7 is a bottom view of the cosmetic container of FIG. 1;

FIG. 8 is an isometric view of the cosmetic container of FIG. 1 showing the lid in open position; and,

FIG. 9 is an isometric view of the cosmetic container of FIG. 1 showing the lid and the middle tray in open position.

**1 Claim, 9 Drawing Sheets**



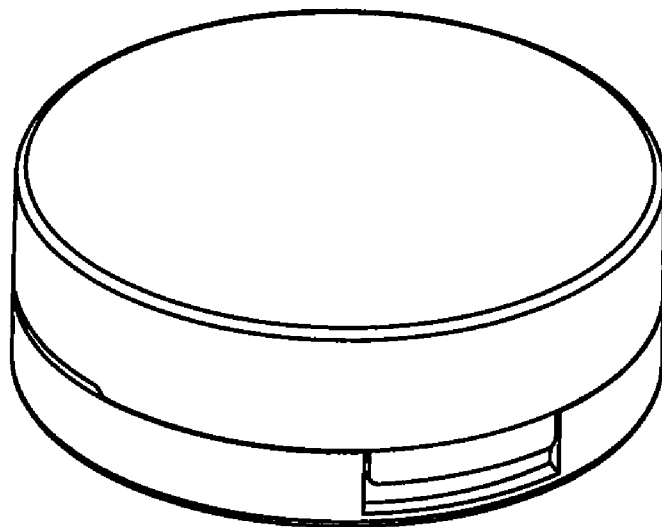


Fig. 1

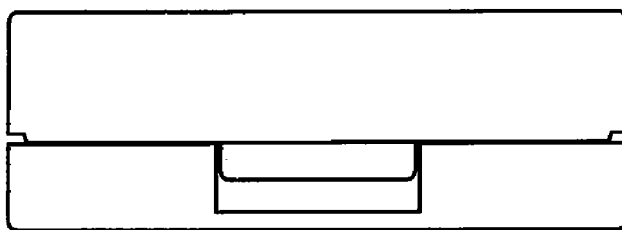


Fig. 2

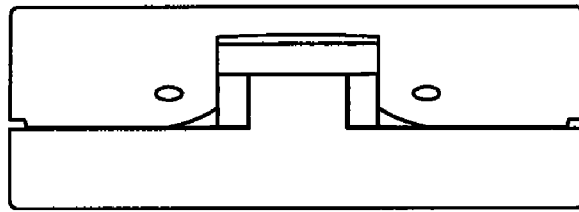


Fig. 3

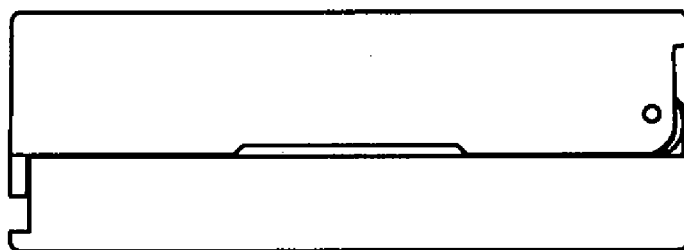


Fig. 4

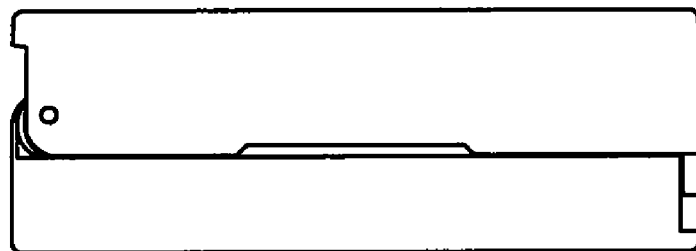


Fig. 5

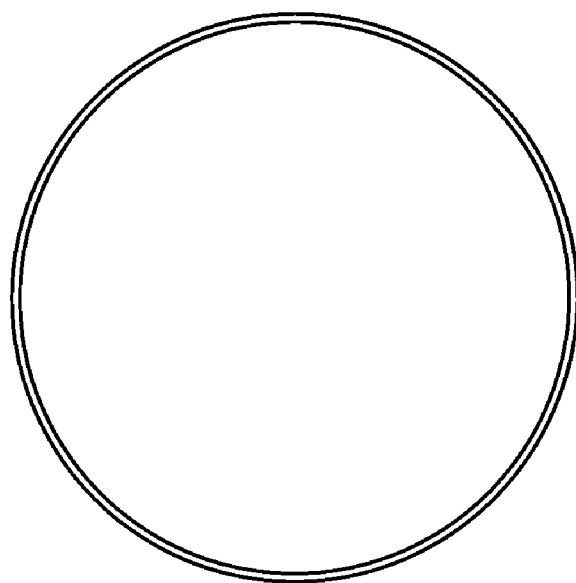


Fig. 6

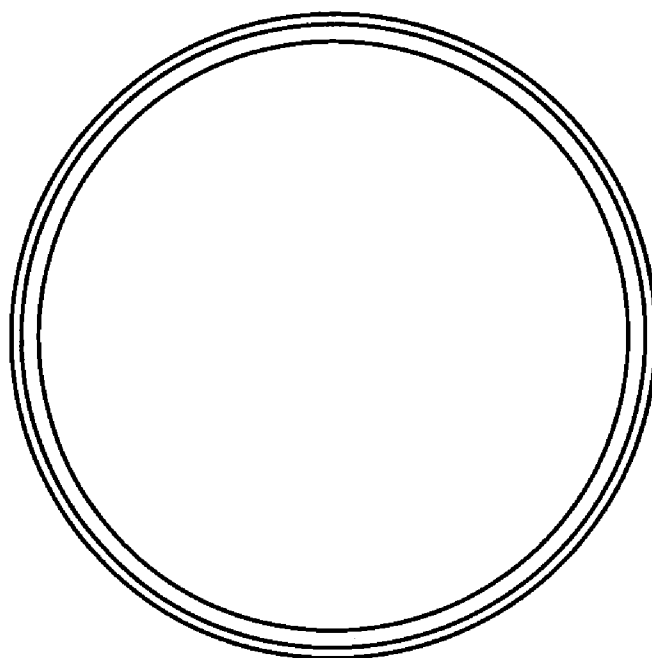


Fig. 7



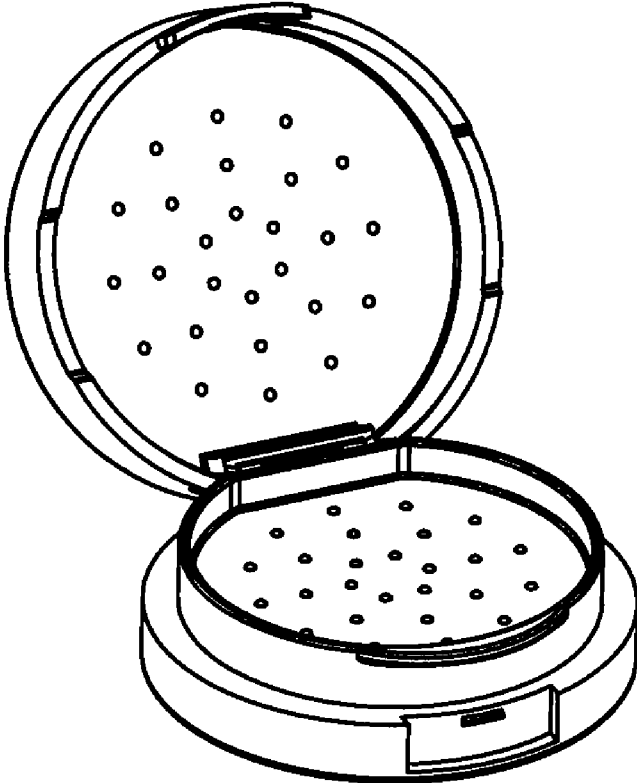


Fig. 8

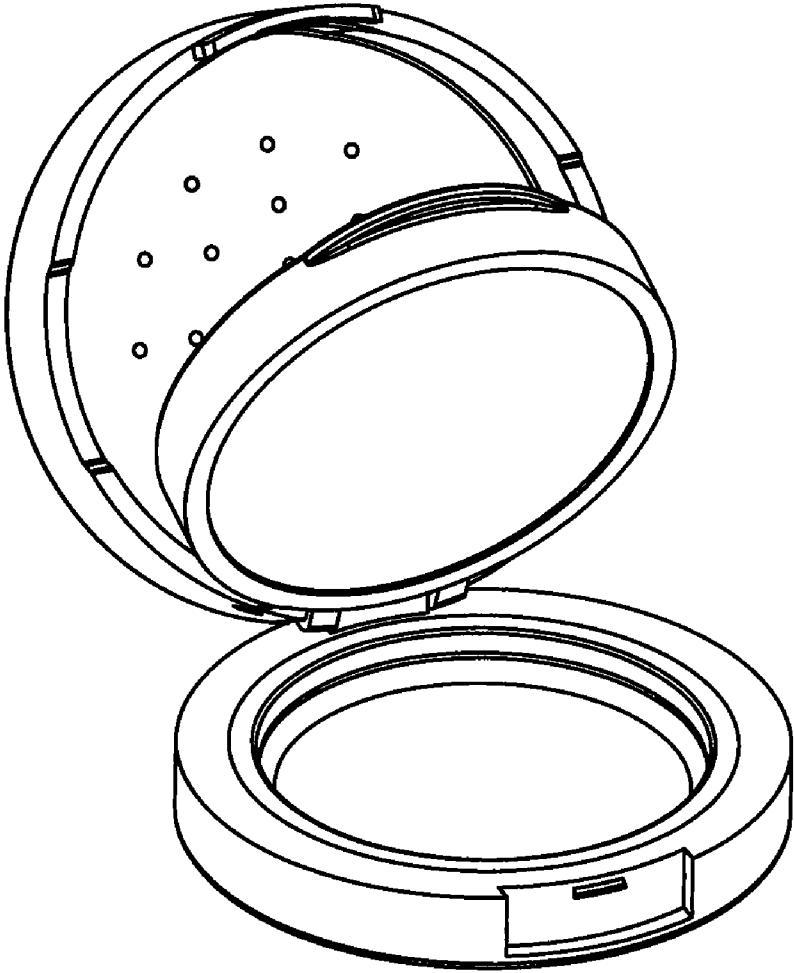


Fig. 9