



US00D393716S

United States Patent [19]

[11] Patent Number: Des. 393,716

Brenneman et al.

[45] Date of Patent: **Apr. 21, 1998

[54] LANCET ENDCAP

5,324,303 6/1994 Strong et al. 606/181
5,569,286 10/1996 Peckman et al. 606/181

[75] Inventors: **Allen Brenneman**, Goshen; **Gregory Lorch**, South Bend, both of Ind.; **D. Glenn Purcell**, Edwardsburg, Mich.

Primary Examiner—Doris Clark
Attorney, Agent, or Firm—Roger N. Coe

[73] Assignee: **Bayer Corporation**, Pittsburgh, Pa.

[57] **CLAIM**

[**] Term: **14 Years**

The ornamental design for the lancet endcap, as shown and described.

[21] Appl. No.: **68,264**

DESCRIPTION

[22] Filed: **Mar. 24, 1997**

FIG. 1 is a perspective view of our design with portions other than the endcap shown in phantom lines for illustrative purposes only and form no part of the claimed design;

[51] LOC (6) Cl. **24-02**

[52] U.S. Cl. **D24/147**

FIG. 2 is a top view of our design with the portion other than the endcap shown in phantom lines for illustrative purposes only and form no part of the claimed design;

[58] Field of Search D24/147; 606/181,
606/182-185; 128/770-771

FIG. 3 is end view of our design; and,

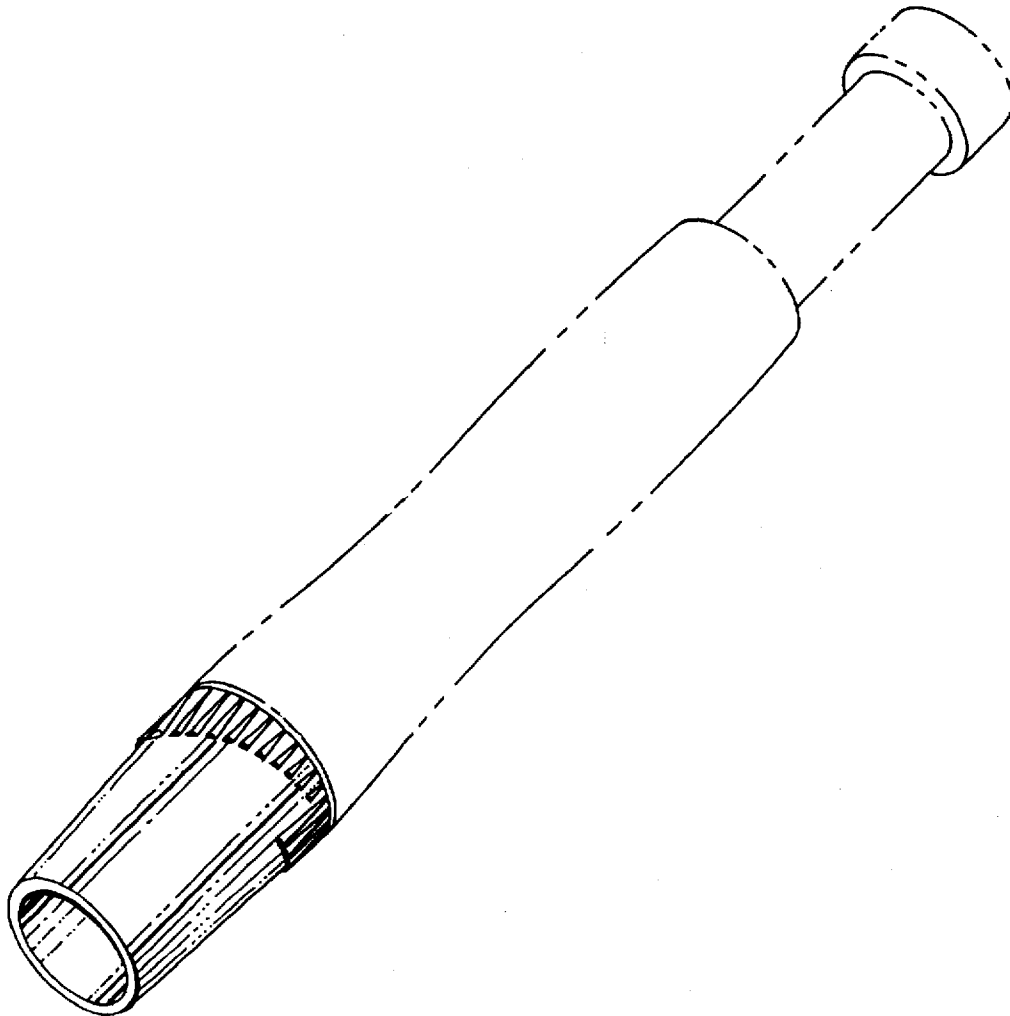
[56] **References Cited**

FIG. 4 is an enlarged end view of the upper right area of the lancet endcap in FIG. 3.

U.S. PATENT DOCUMENTS

D. 297,459 8/1988 Heiland et al. D24/147
D. 362,719 9/1995 Kaplan D24/147

1 Claim, 2 Drawing Sheets



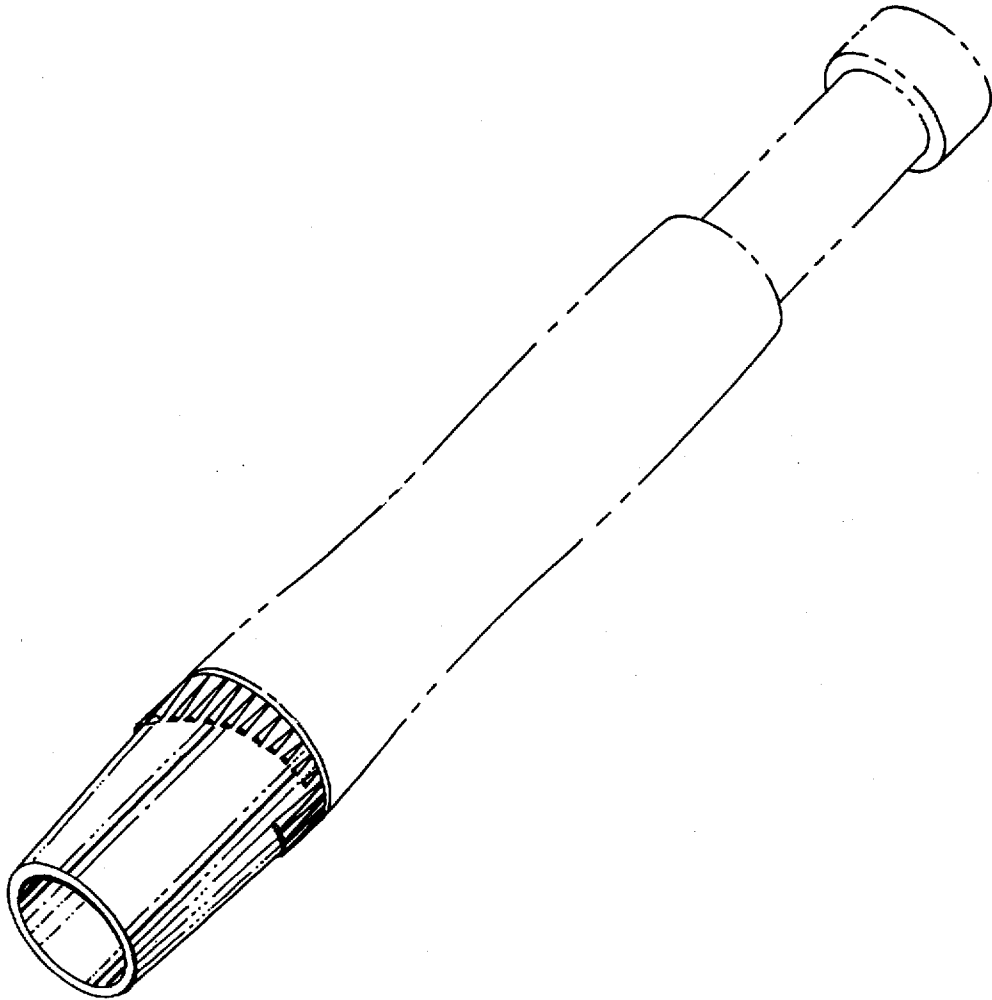


FIG. 1

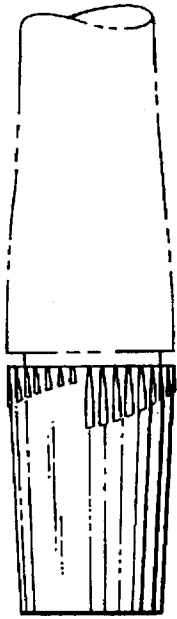


FIG. 2

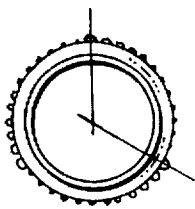


FIG. 3

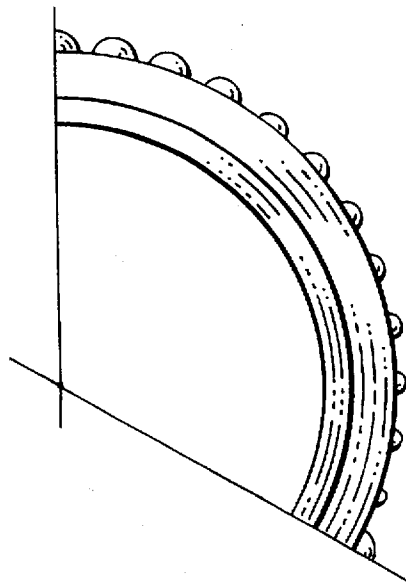


FIG. 4