



(12) **United States Design Patent**
Aboabdo

(10) **Patent No.:** **US D933,480 S**
(45) **Date of Patent:** **** Oct. 19, 2021**

- (54) **BOTTLE**
- (71) Applicant: **Chubby Gorilla, Inc.**, Fullerton, CA (US)
- (72) Inventor: **Ibrahiem H. Aboabdo**, Yorba Linda, CA (US)
- (73) Assignee: **Chubby Gorilla, Inc.**, Fullerton, CA (US)
- (**) Term: **15 Years**

- D321,643 S 11/1991 Katada
 - D321,645 S 11/1991 Katada
 - D590,661 S 4/2009 Kitamura
 - D612,240 S 3/2010 Cresswell
 - D633,800 S 3/2011 Haywood
 - D636,683 S 4/2011 Floyd
 - D679,960 S * 4/2013 Hopkins D7/629
 - D814,236 S 4/2018 Rolfson
 - D814,857 S 4/2018 Rolfson
 - D850,913 S 6/2019 Ke
- (Continued)

- (21) Appl. No.: **29/765,552**
- (22) Filed: **Jan. 8, 2021**

Related U.S. Application Data

- (62) Division of application No. 29/665,474, filed on Oct. 3, 2018, now Pat. No. Des. 907,501.
- (51) **LOC (13) Cl.** **09-01**
- (52) **U.S. Cl.**
USPC **D9/503**; D9/443; D9/452; D9/454
- (58) **Field of Classification Search**
USPC D9/414, 434-435, 443, 444-445, 452, D9/454, 500, 503-504, 516, 520, 529, D9/549, 558, 682, 690-691, 715, 719, D9/723-724; D3/203.2; D27/183, 186, D27/189-191; D28/76; D7/608, D7/629-630, 679
CPC B65D 1/00; B65D 1/02; B65D 1/0223; B65D 23/00; B65D 51/32; B65D 2501/00; B65D 2501/0009
See application file for complete search history.

(56) **References Cited**

U.S. PATENT DOCUMENTS

- 3,847,494 A 11/1974 Franklin
- 4,221,495 A 9/1980 Braun
- D274,848 S 7/1984 Chevassus

FOREIGN PATENT DOCUMENTS

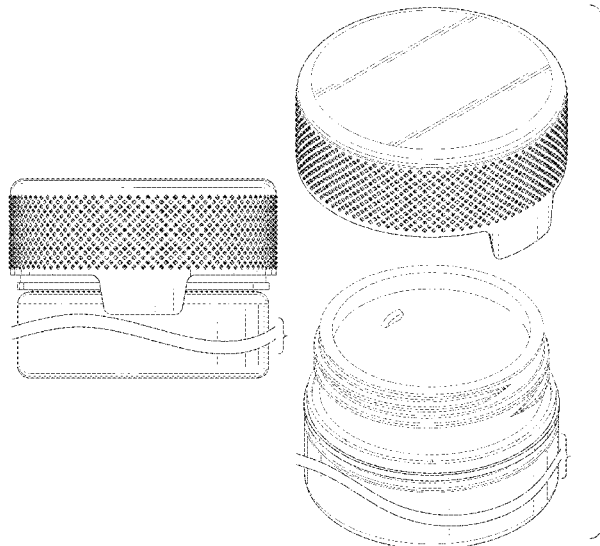
- WO WO D089824-0001 2/2016
- Primary Examiner* — Dana Meyrow
- (74) *Attorney, Agent, or Firm* — Knobbe Martens Olson & Bear, LLP

(57) **CLAIM**
The ornamental design for bottle, as shown and described herein.

DESCRIPTION

FIG. 1 is a top perspective view of a bottle embodying the new design.
 FIG. 2 is a bottom perspective view thereof.
 FIG. 3 is a front view thereof.
 FIG. 4 is a rear view thereof.
 FIG. 5 is a first side view thereof.
 FIG. 6 is a second side view thereof.
 FIG. 7 is a top view thereof.
 FIG. 8 is a bottom view thereof.
 FIG. 9 is an exploded perspective view thereof; and,
 FIG. 10 is an exploded front view thereof.
 The bottle is shown with a symbolic break in its length represented by break lines. Any portion of the article between the break lines forms no part of the claimed subject matter. The broken lines in the drawings illustrate the portions of the bottle that form no part of the claimed design.

1 Claim, 10 Drawing Sheets



(56)

References Cited

U.S. PATENT DOCUMENTS

D873,147 S	1/2020	Aboabdo	
D886,610 S *	6/2020	Aboabdo D9/503
D892,623 S	8/2020	Aboabdo	
D893,300 S	8/2020	Aboabdo	
D894,004 S	8/2020	Aboabdo	
D907,501 S *	1/2021	Aboabdo D9/503
D908,500 S *	1/2021	Aboabdo D9/503
D914,501 S *	3/2021	Aboabdo D9/503
D914,502 S *	3/2021	Aboabdo D9/503
D914,503 S *	3/2021	Aboabdo D9/503

* cited by examiner

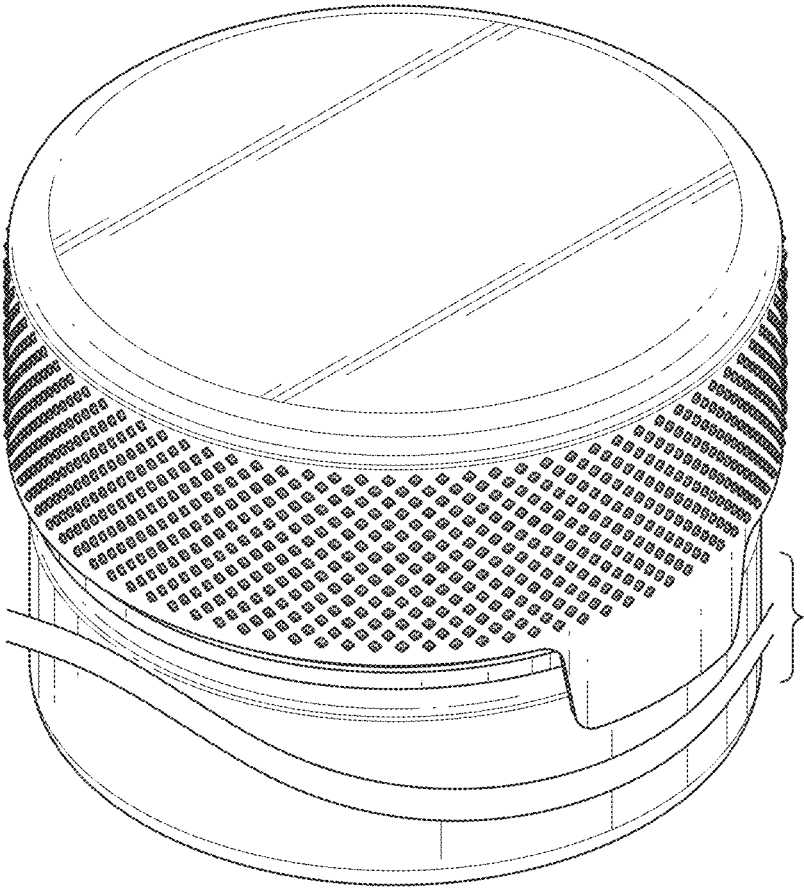


FIG. 1

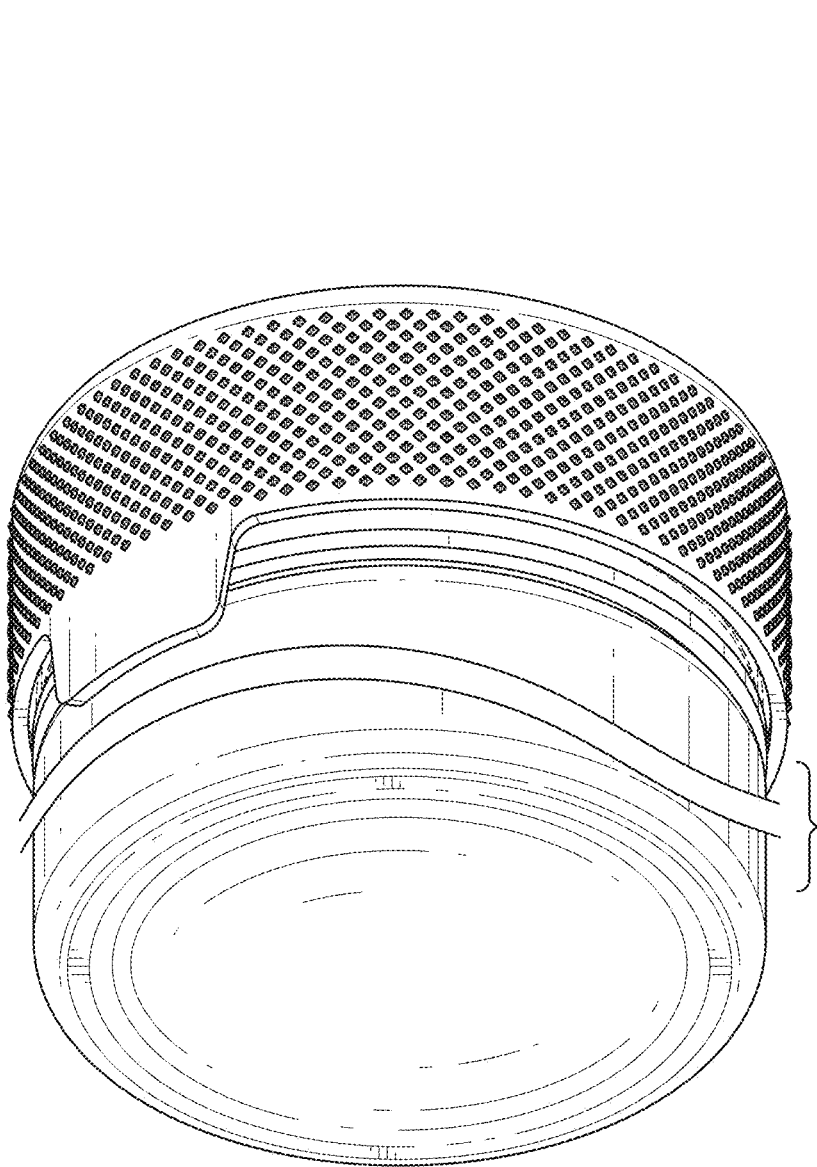


FIG. 2

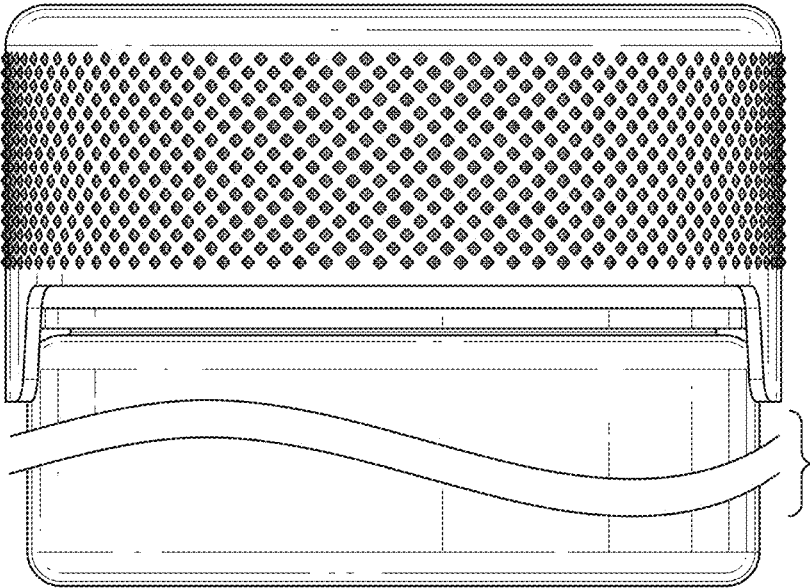


FIG. 3

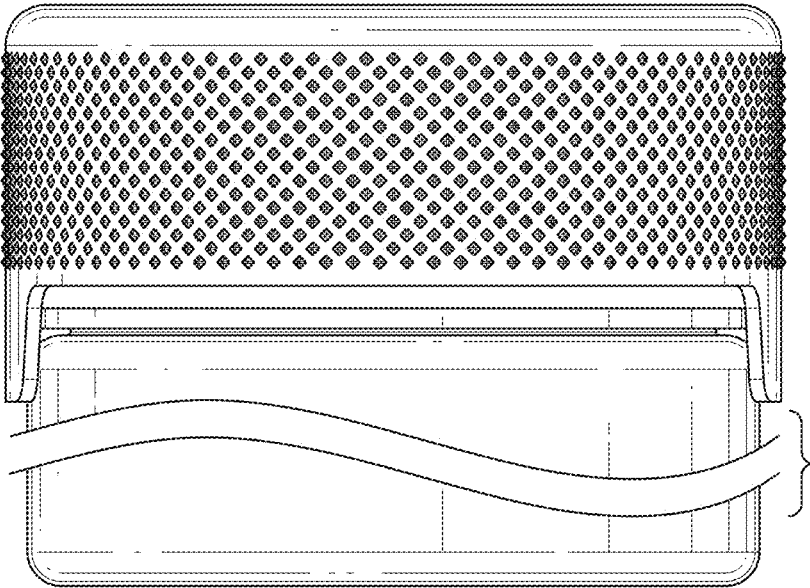


FIG. 4

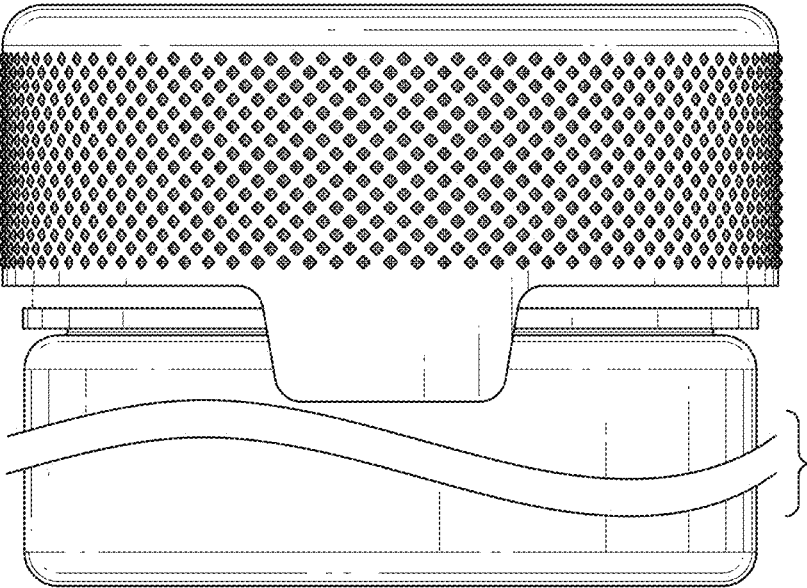


FIG. 5

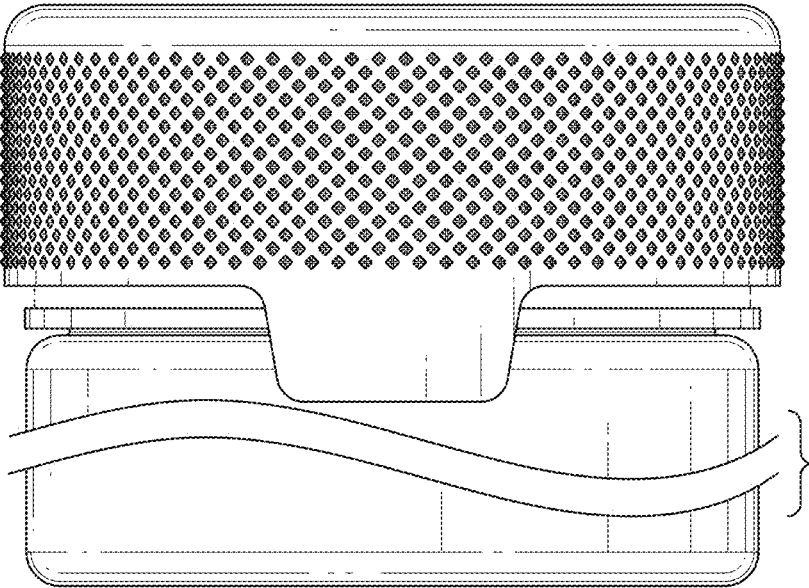


FIG. 6

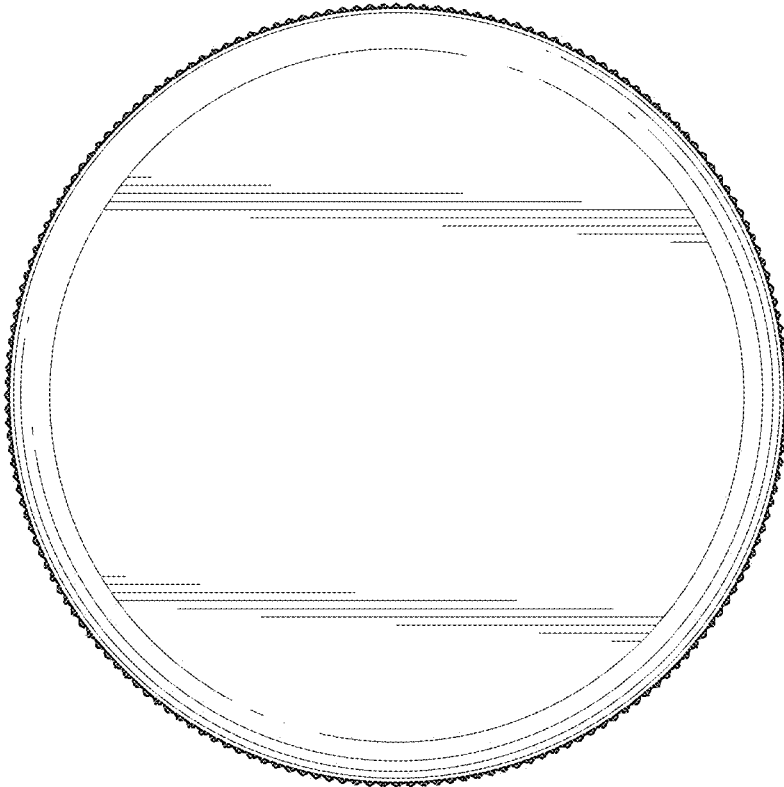


FIG. 7

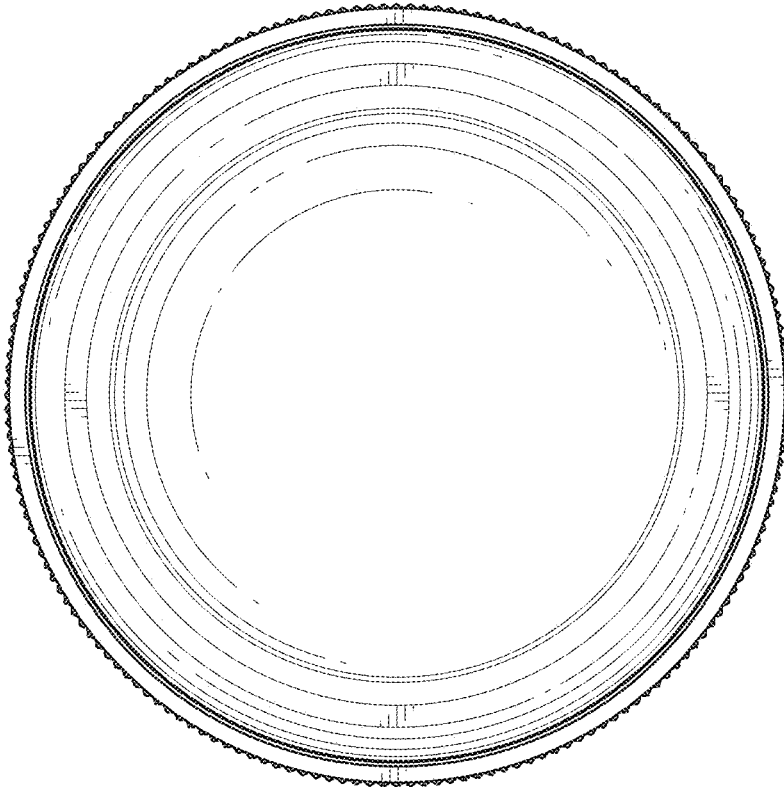


FIG. 8

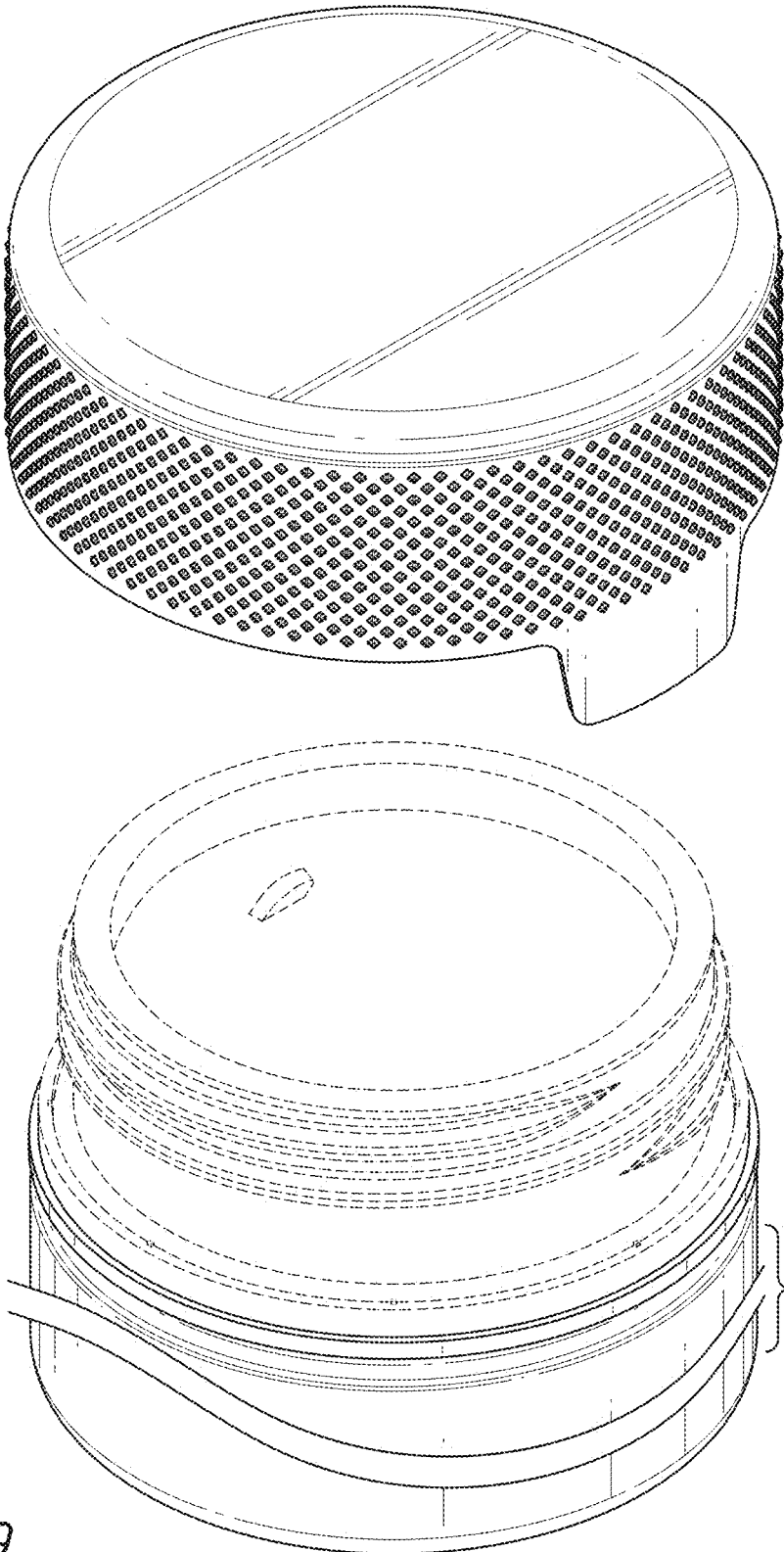


FIG. 9

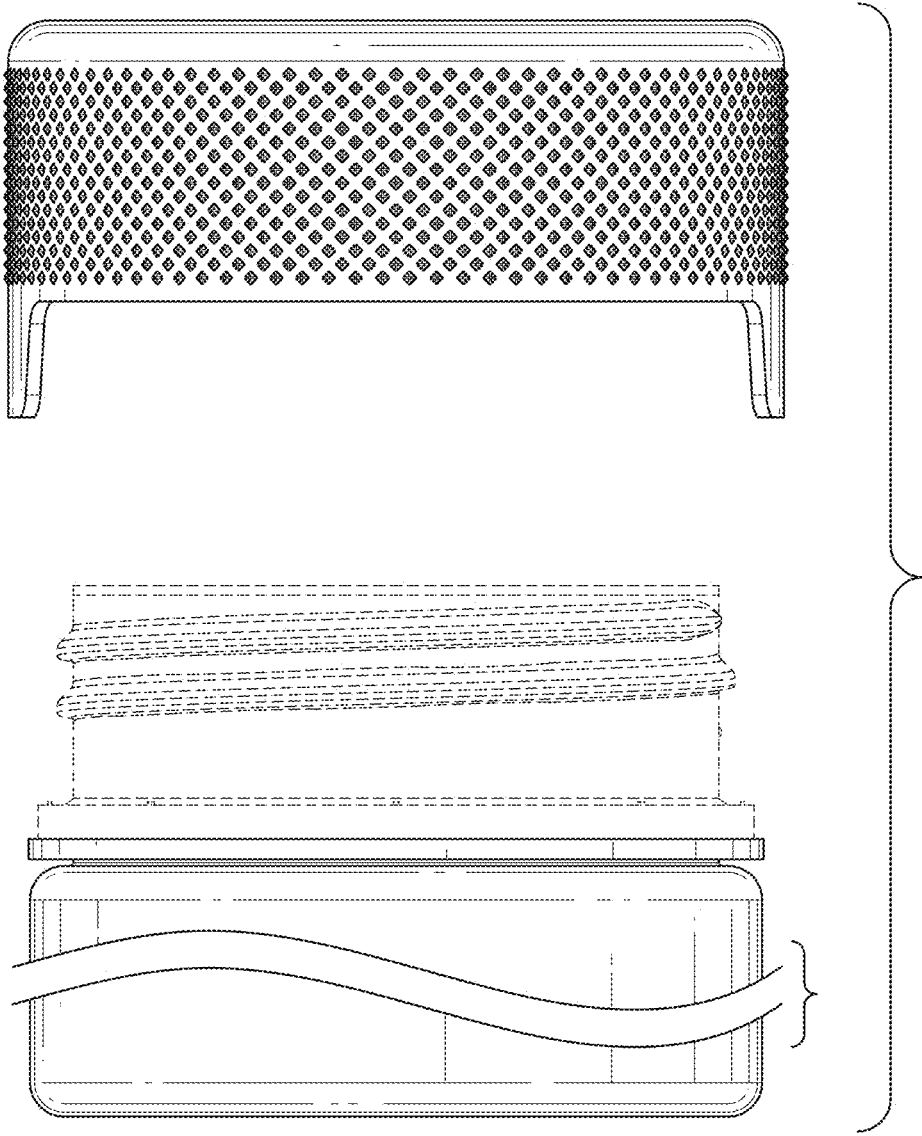


FIG. 10