



(12) **United States Design Patent**
Yao

(10) **Patent No.:** **US D944,053 S**
(45) **Date of Patent:** **** Feb. 22, 2022**

- (54) **BOTTLE LID**
- (71) Applicant: **Everich And Tomic Housewares Co., Ltd, ZheJiang (CN)**
- (72) Inventor: **Huajun Yao, Hangzhou (CN)**
- (**) Term: **15 Years**
- (21) Appl. No.: **29/756,934**
- (22) Filed: **Nov. 2, 2020**
- (30) **Foreign Application Priority Data**
Jul. 17, 2020 (CN) 202030394608.3
- (51) **LOC (13) Cl.** **09-07**
- (52) **U.S. Cl.**
USPC **D7/392.1; D9/443; D7/396.2**
- (58) **Field of Classification Search**
USPC **D9/435, 439, 440, 442-449, 450, 454, D9/531, 682-694, 723; D7/321, 391, D7/392, 392.1, 396.2, 507, 509-511, 523, D7/608, 900; D6/515**
CPC **B65D 83/205; B65D 83/206; B65D 83/40; B65D 2543/00046; A47G 19/2272**
See application file for complete search history.

D897,146 S *	9/2020	Lane	D7/392
D897,761 S *	10/2020	Zhang	D7/392.1
D899,848 S *	10/2020	Zhang	D7/392.1
D900,538 S *	11/2020	Yao	D7/392.1
D900,539 S *	11/2020	Yao	D7/392.1
D903,405 S *	12/2020	Zhang	D7/392.1
D904,109 S *	12/2020	Yao	D7/392.1
D905,499 S *	12/2020	Zhang	D7/392.1
D906,042 S *	12/2020	Chen	D7/392.1
D911,100 S *	2/2021	Chen	D7/392.1
D911,771 S *	3/2021	Zhang	D7/392.1
D914,441 S *	3/2021	Zhang	D7/392.1
D917,953 S *	5/2021	Yao	D7/392
D917,956 S *	5/2021	Yao	D7/392
D917,960 S *	5/2021	Yao	D7/392
D922,819 S *	6/2021	Wang	D7/392.1
D924,000 S *	7/2021	Chen	D7/392.1
D930,427 S *	9/2021	Ayres	D7/392.1
D930,430 S *	9/2021	Li	D7/392.1
D930,438 S *	9/2021	Zhang	D7/511

(Continued)

Primary Examiner — Brett Miller
Assistant Examiner — Rani J Abdallah

(57) **CLAIM**

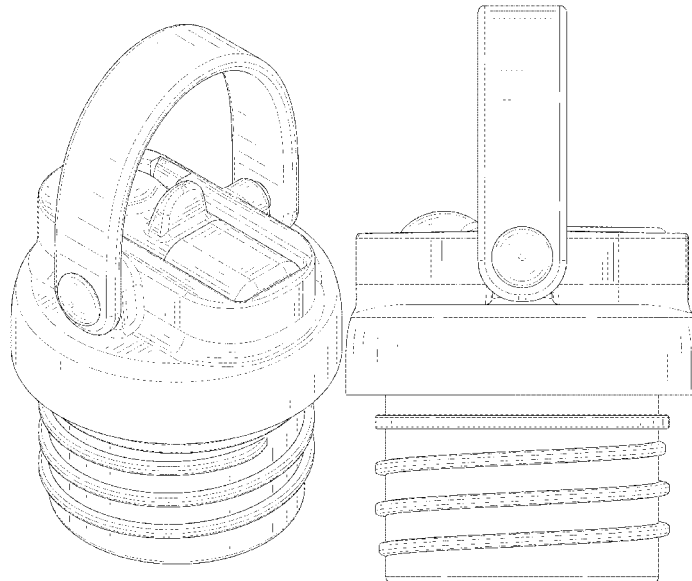
The ornamental design for a bottle lid, as shown and described.

DESCRIPTION

FIG. 1 is a front and top perspective view of a bottle lid, showing my new design;
 FIG. 2 is a rear and bottom perspective view thereof;
 FIG. 3 is a front elevational view thereof;
 FIG. 4 is a rear elevational view thereof;
 FIG. 5 is a left side devotional view thereof;
 FIG. 6 is a right side elevational view thereof;
 FIG. 7 is a top plan view thereof; and,
 FIG. 8 is a bottom plan view thereof.
 The broken lines in the figures illustrate portions of the bottle lid that form no part of the claimed design.

1 Claim, 8 Drawing Sheets

- (56) **References Cited**
U.S. PATENT DOCUMENTS
- | | | | | |
|--------------|---------|---------|-------|----------|
| D806,468 S * | 1/2018 | Goodwin | | D7/392.1 |
| D811,162 S * | 2/2018 | Rane | | D7/396.2 |
| D812,966 S * | 3/2018 | Murosky | | D7/392.1 |
| D868,534 S * | 12/2019 | Lin | | D7/392.1 |
| D872,522 S * | 1/2020 | Diener | | D7/392.1 |
| D872,524 S * | 1/2020 | Bo | | D7/392.1 |
| D886,517 S * | 6/2020 | Bo | | D7/392.1 |
| D887,776 S * | 6/2020 | Bo | | D7/392.1 |
| D893,245 S * | 8/2020 | Zhang | | D7/392.1 |
| D894,671 S * | 9/2020 | Huang | | D7/392.1 |
| D894,672 S * | 9/2020 | Huang | | D7/392.1 |



(56)

References Cited

U.S. PATENT DOCUMENTS

D931,042 S * 9/2021 Burga D7/392.1
D935,264 S * 11/2021 Kutlug D7/392.1

* cited by examiner

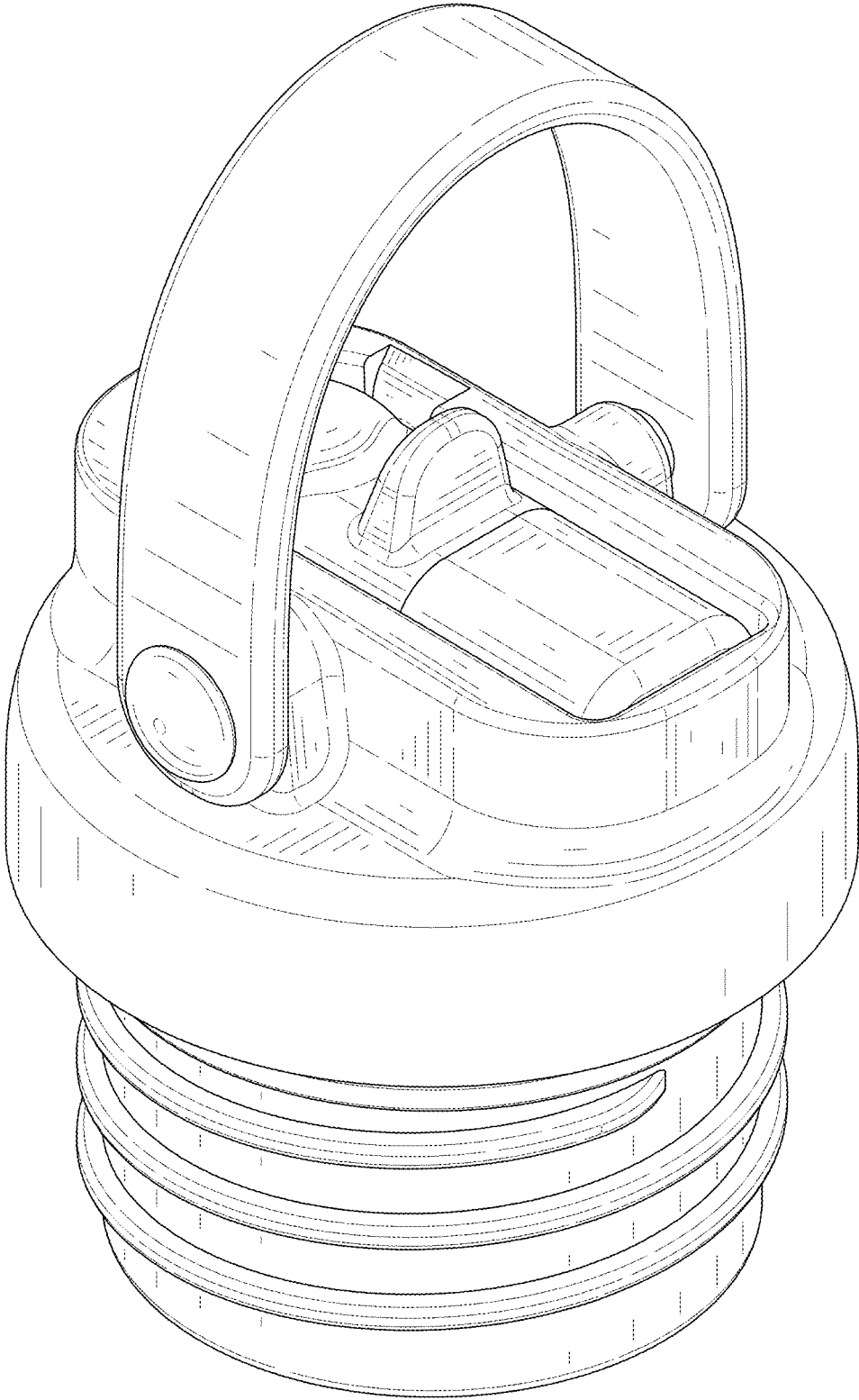


FIG. 1

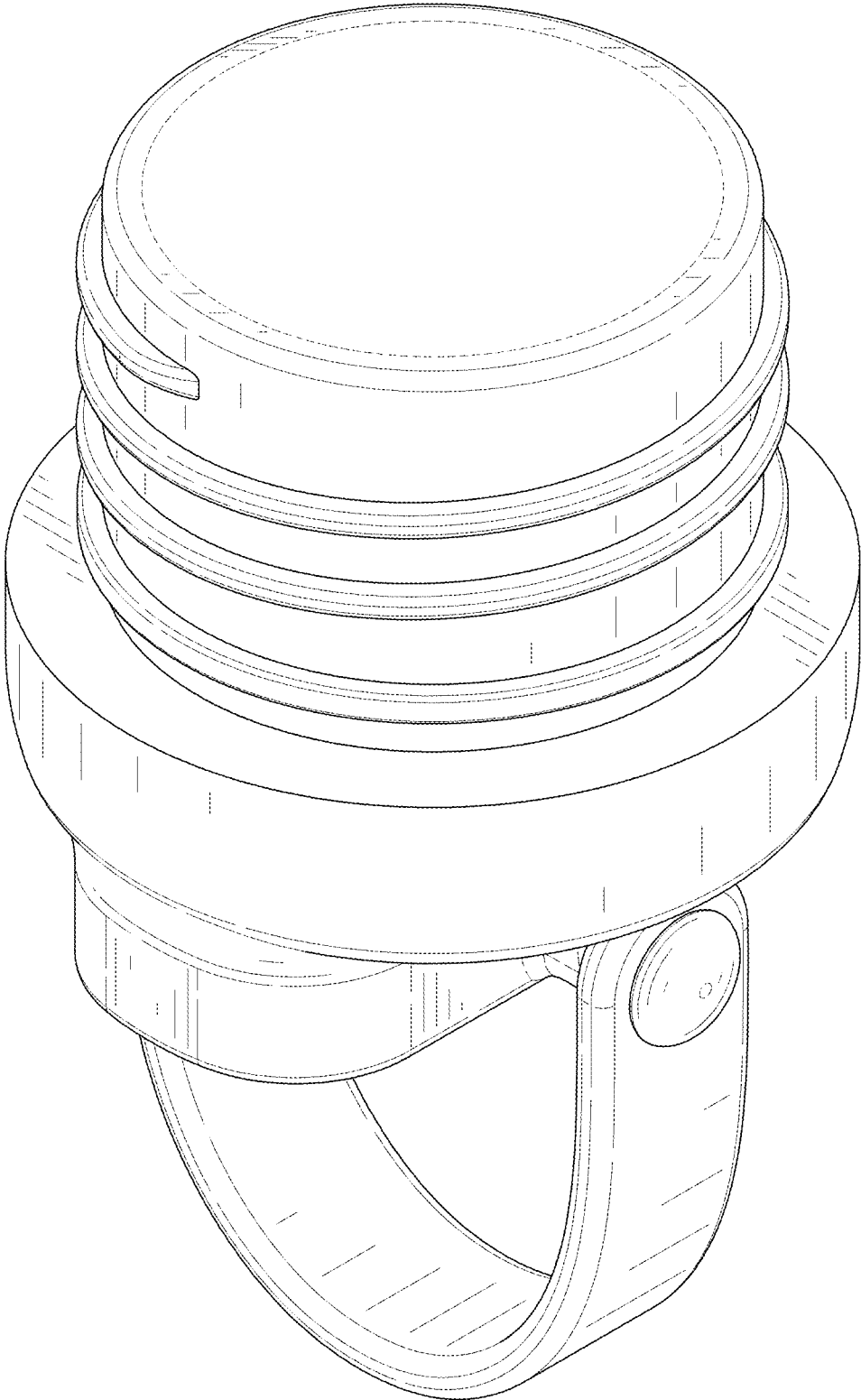


FIG. 2

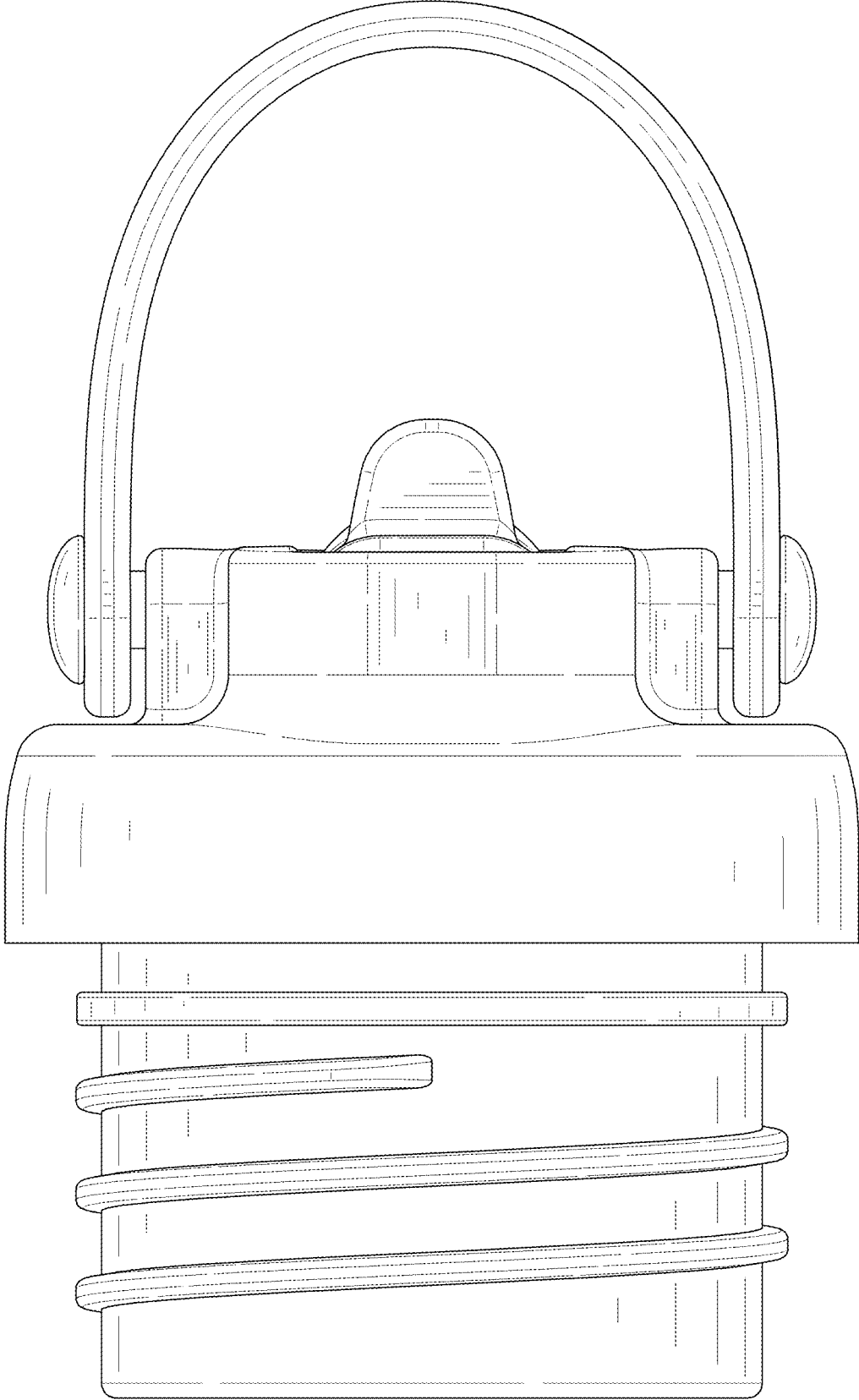


FIG. 3

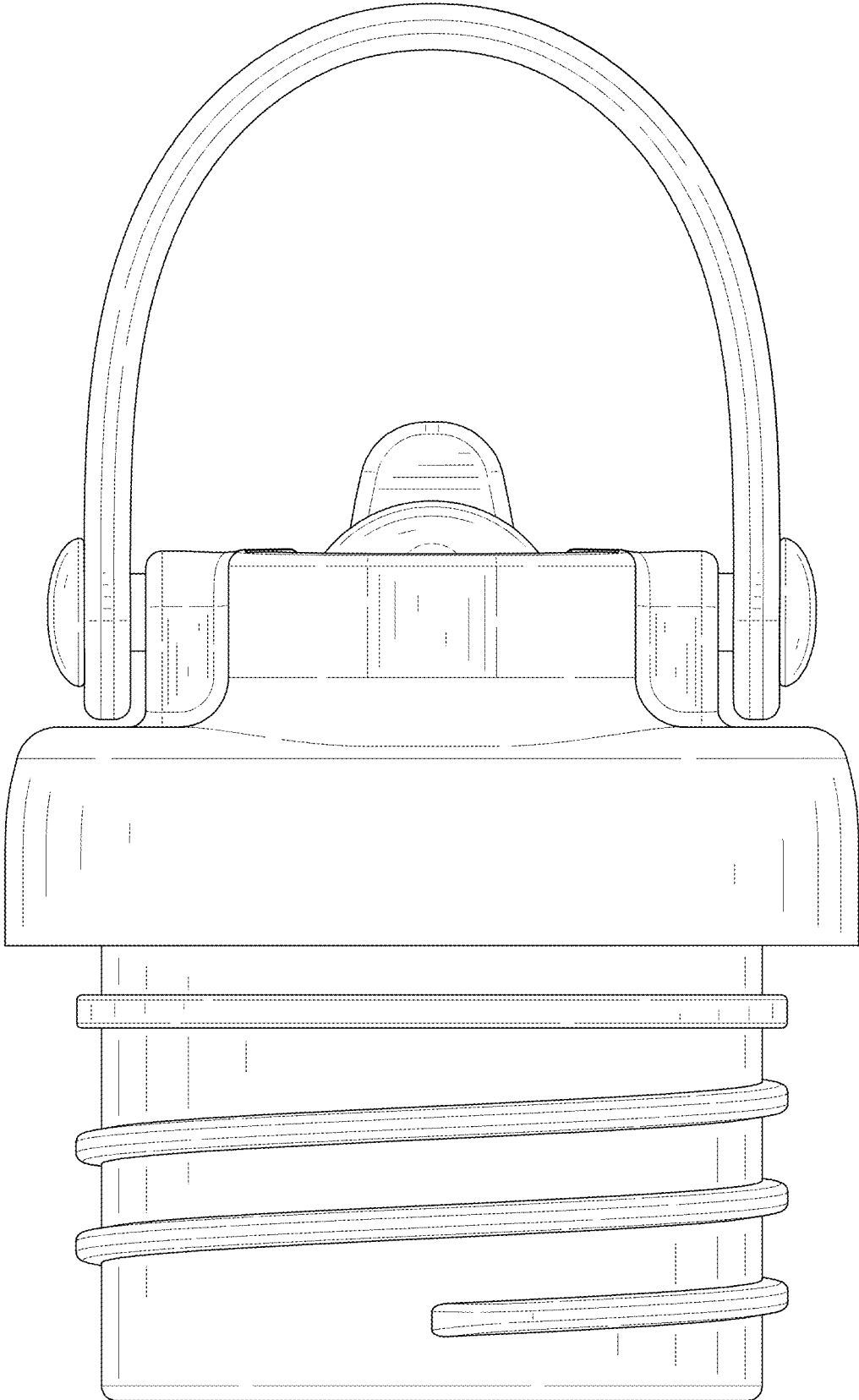


FIG. 4

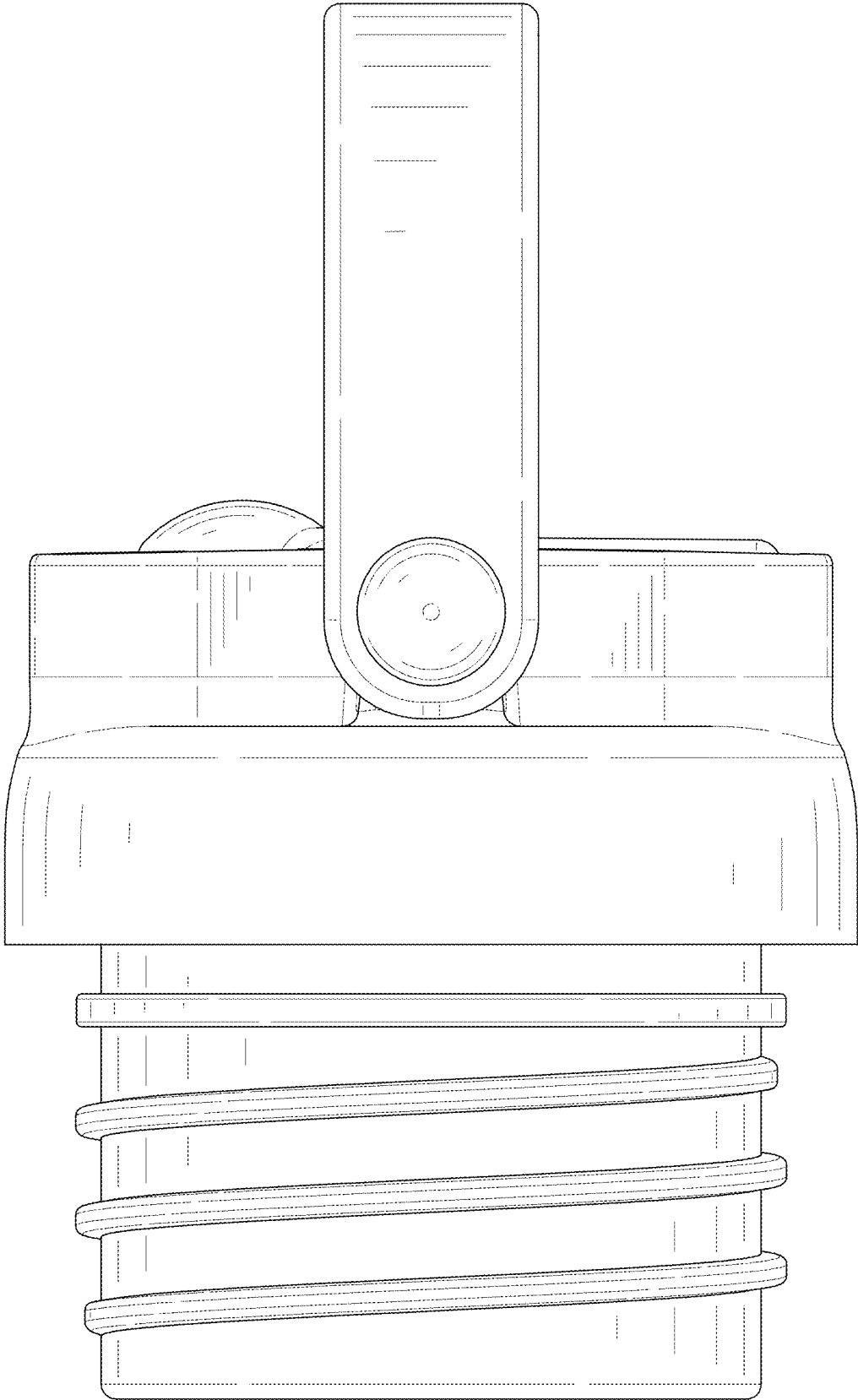


FIG. 5

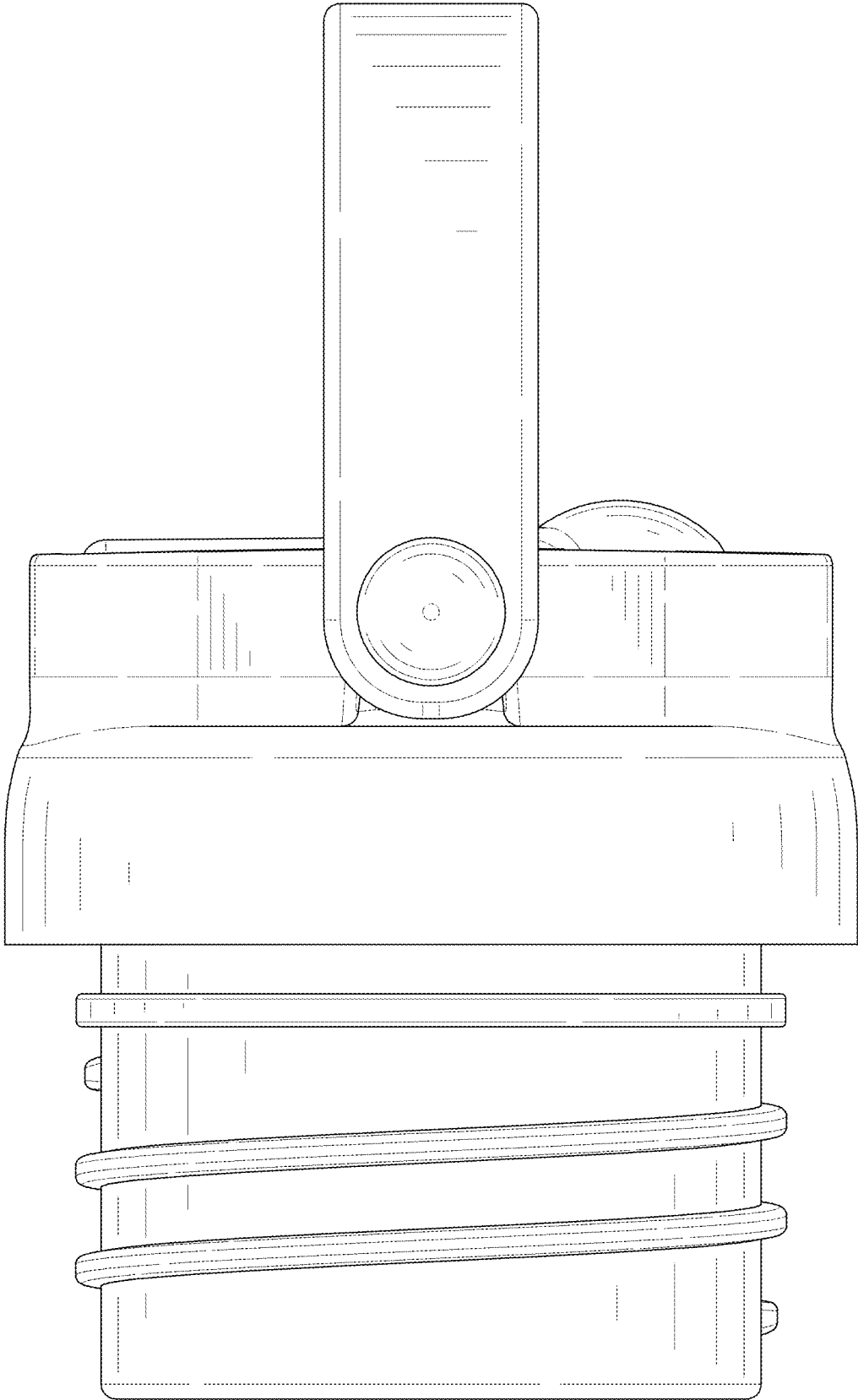


FIG. 6

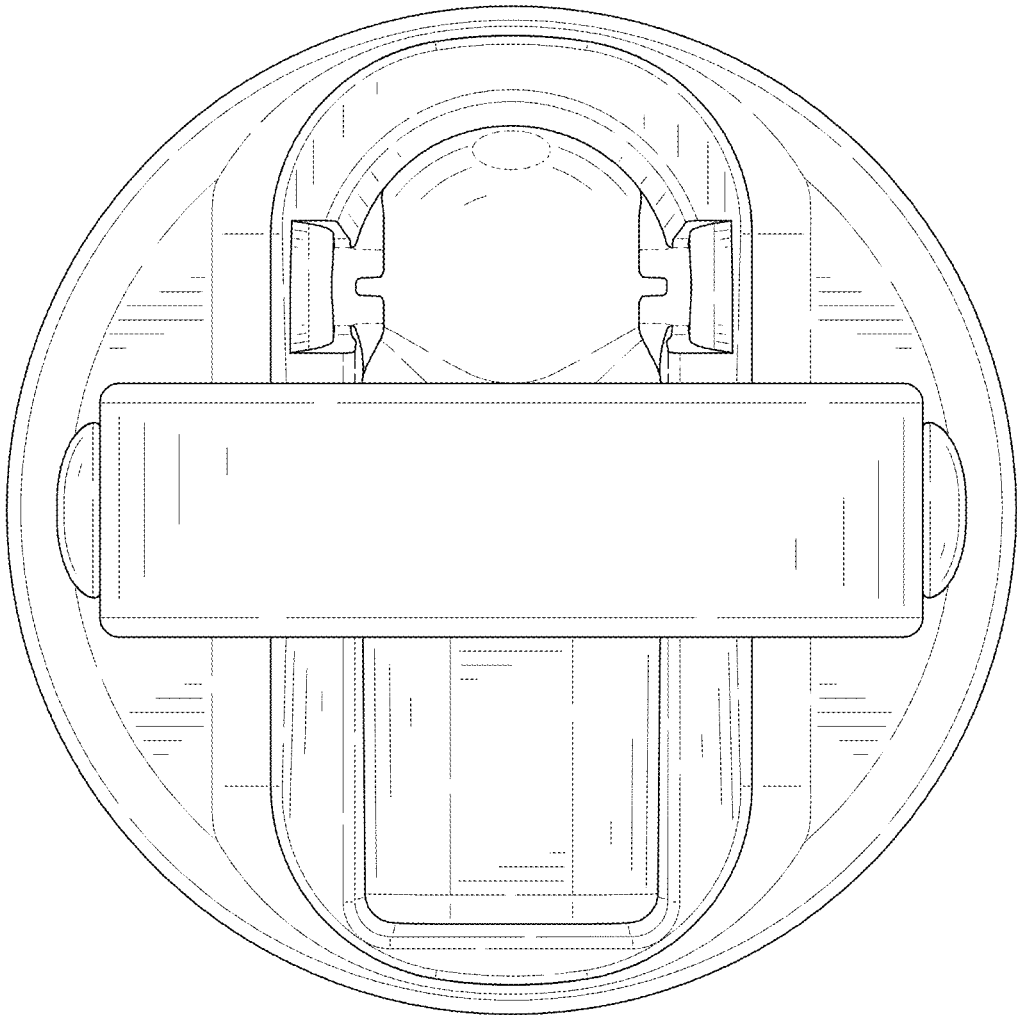


FIG. 7

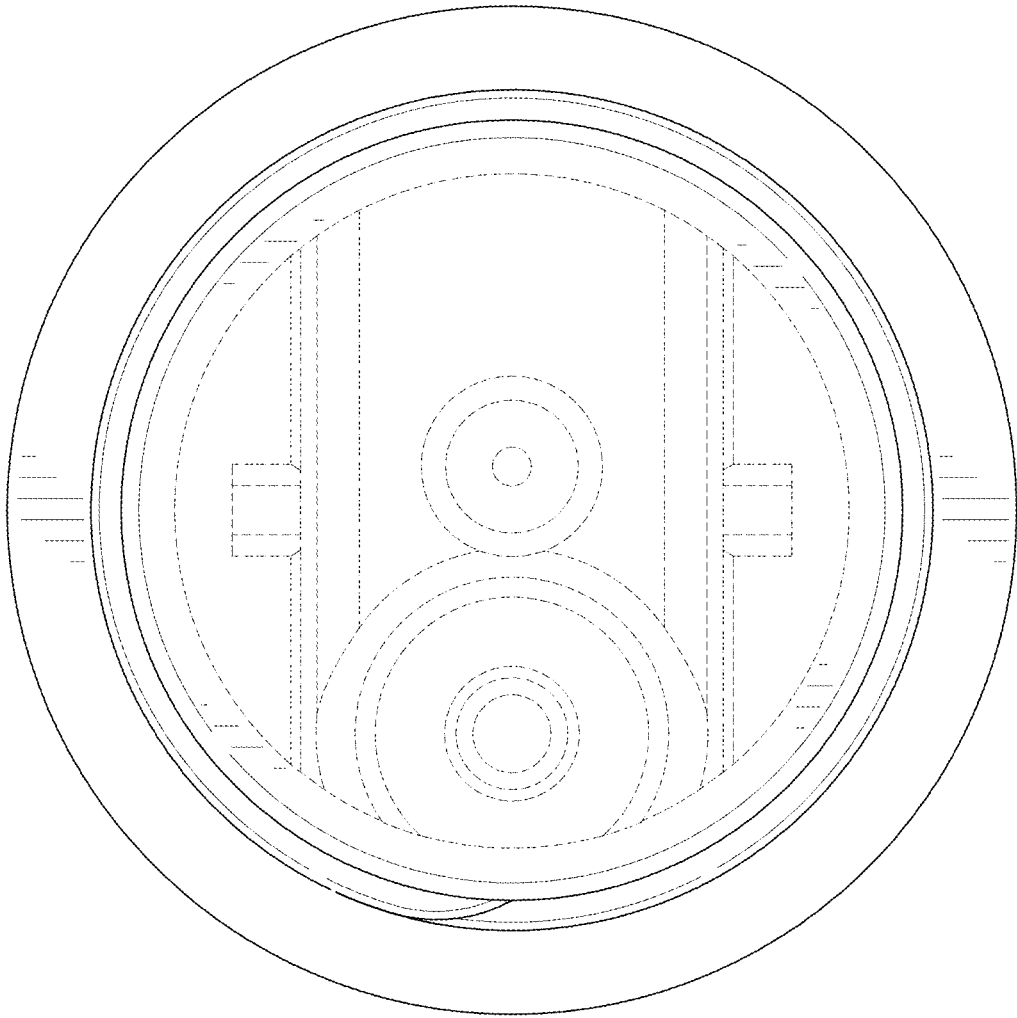


FIG. 8