



US00D501698S

(12) **United States Design Patent**  
**McNamara**

(10) **Patent No.:** **US D501,698 S**

(45) **Date of Patent:** **\*\* Feb. 15, 2005**

(54) **DOG CHEW**

D206,120 S \* 11/1966 Johnson ..... D25/199

(75) Inventor: **Sharon McNamara**, Kinnelon, NJ (US)

\* cited by examiner

(73) Assignee: **The Hartz Mountain Corporation**,  
Secaucus, NJ (US)

*Primary Examiner*—Pamela Burgess  
(74) *Attorney, Agent, or Firm*—Jeffrey M. Kaden; Gottlieb,  
Rackman & Reisman, P.C.

(\*\*) Term: **14 Years**

(57) **CLAIM**

(21) Appl. No.: **29/190,610**

The ornamental design for dog chew, as shown and described.

(22) Filed: **Sep. 23, 2003**

(51) **LOC (7) Cl.** ..... **01-06**

(52) **U.S. Cl.** ..... **D1/199; D30/160**

(58) **Field of Search** ..... D1/199; D6/495;  
D24/200; D21/680-681, 684, 386; D25/199;  
434/159; 426/104, 805; D30/160

**DESCRIPTION**

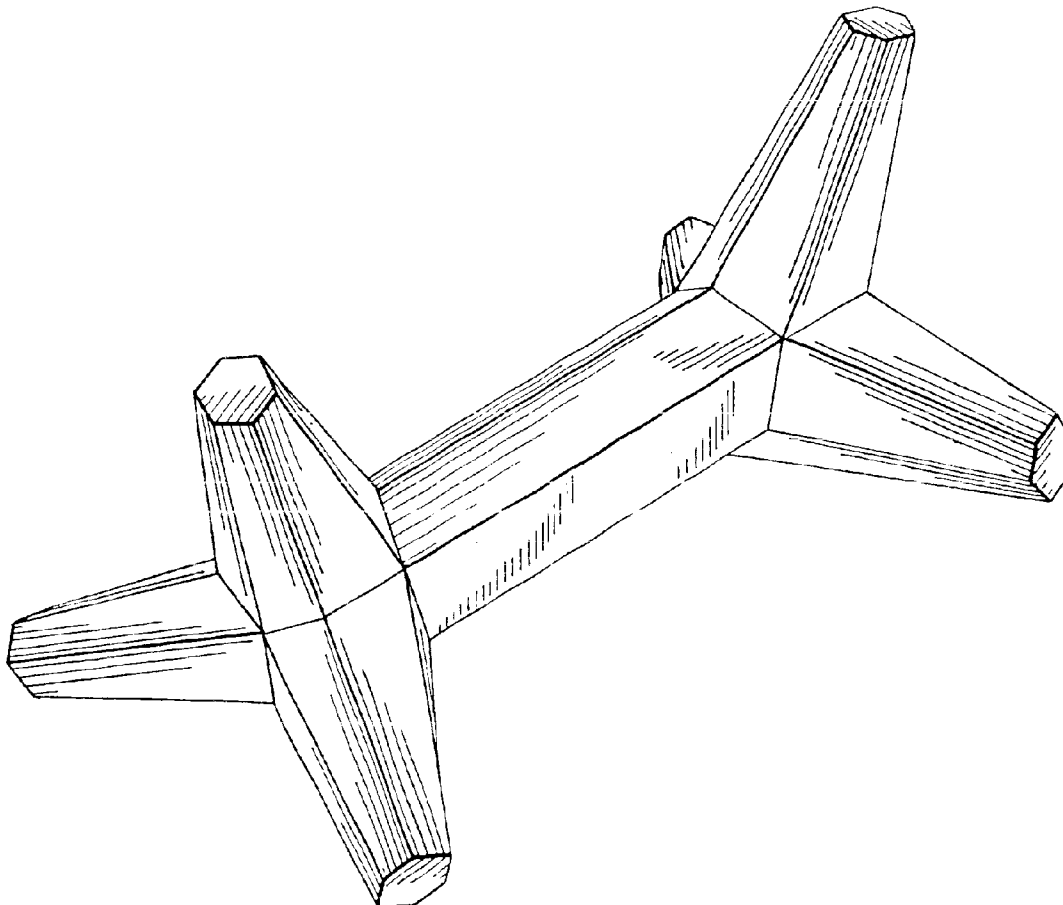
FIG. 1 is a perspective view of a dog chew showing my new design;  
FIG. 2 is a top plan view thereof;  
FIG. 3 is a bottom plan view thereof;  
FIG. 4 is an end elevational view thereof; and,  
FIG. 5 is a side elevational view thereof.

(56) **References Cited**

**U.S. PATENT DOCUMENTS**

2,286,368 A \* 6/1942 May ..... 434/159

**1 Claim, 3 Drawing Sheets**



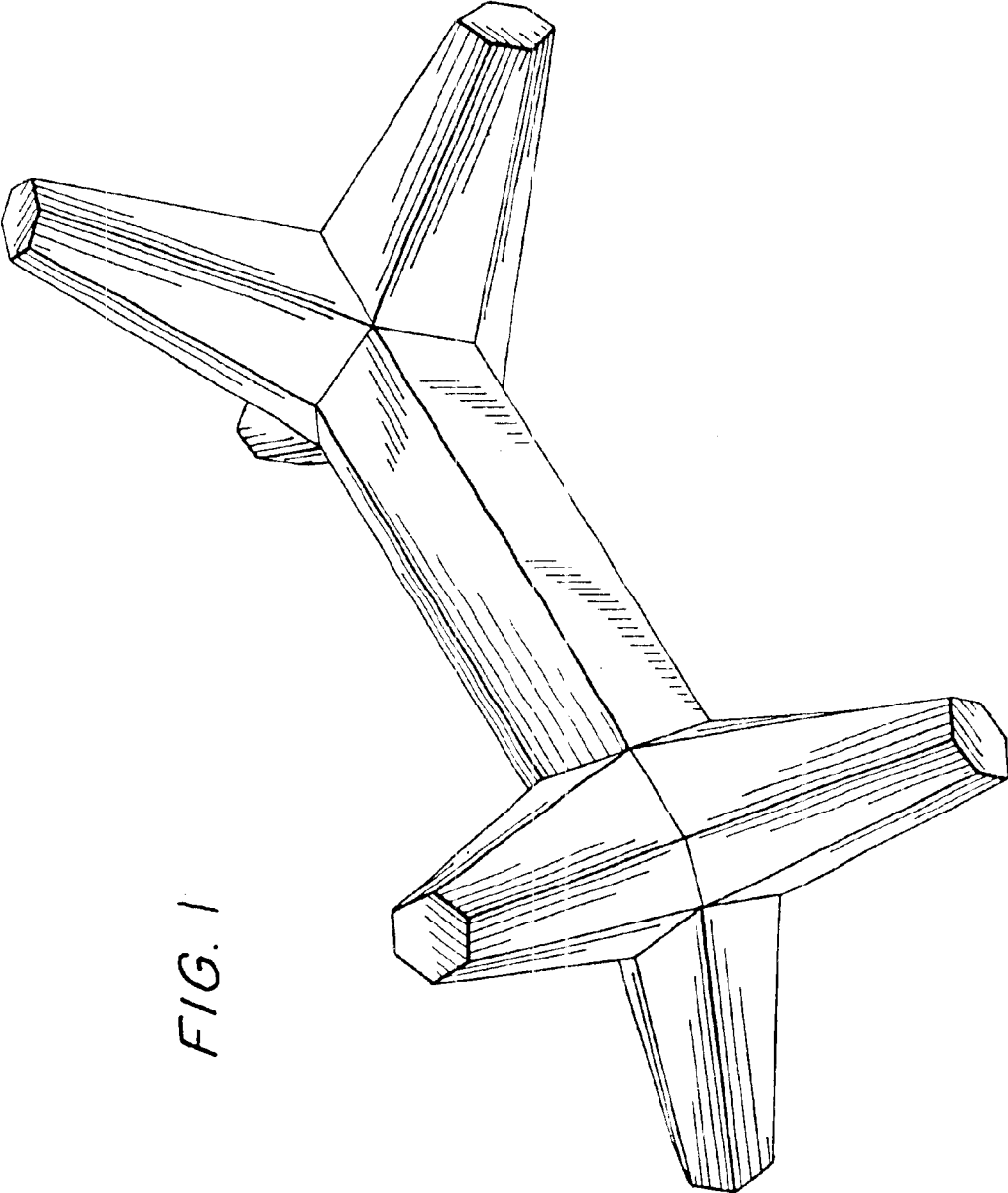


FIG. 1

FIG. 2

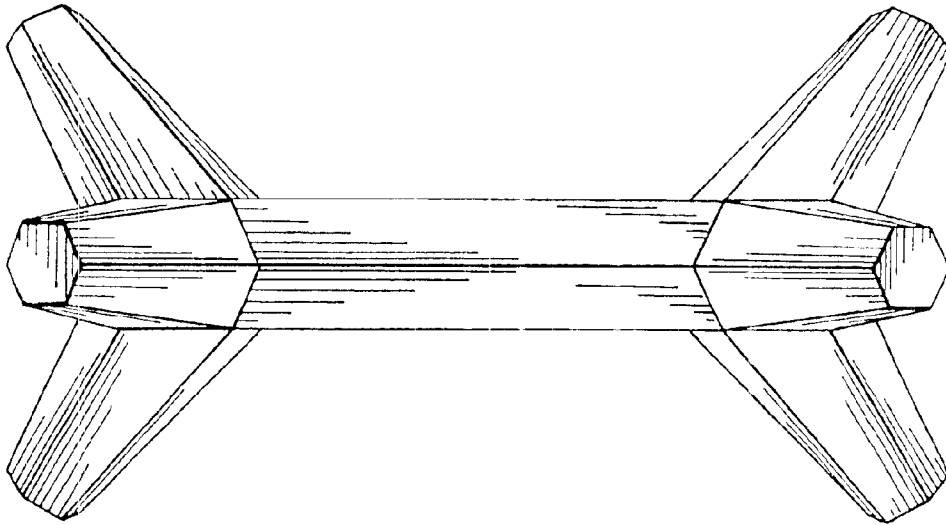


FIG. 3

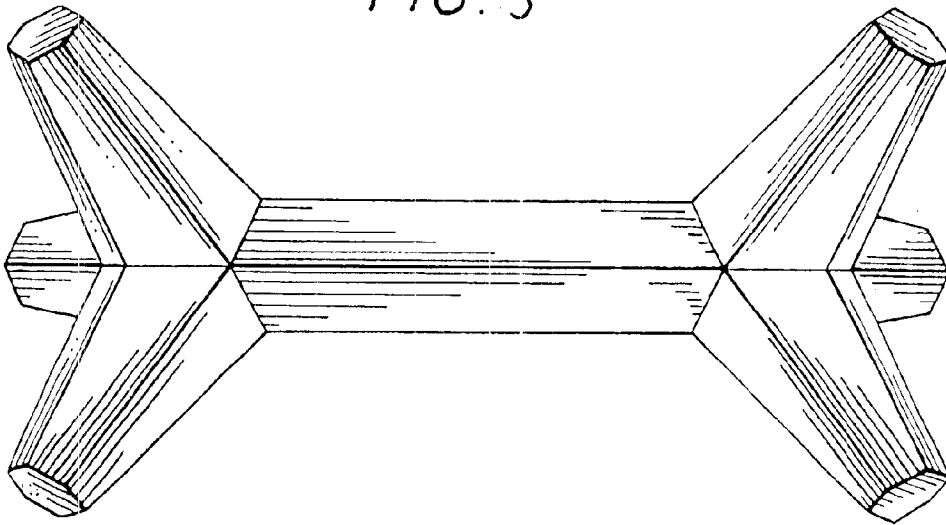


FIG. 5

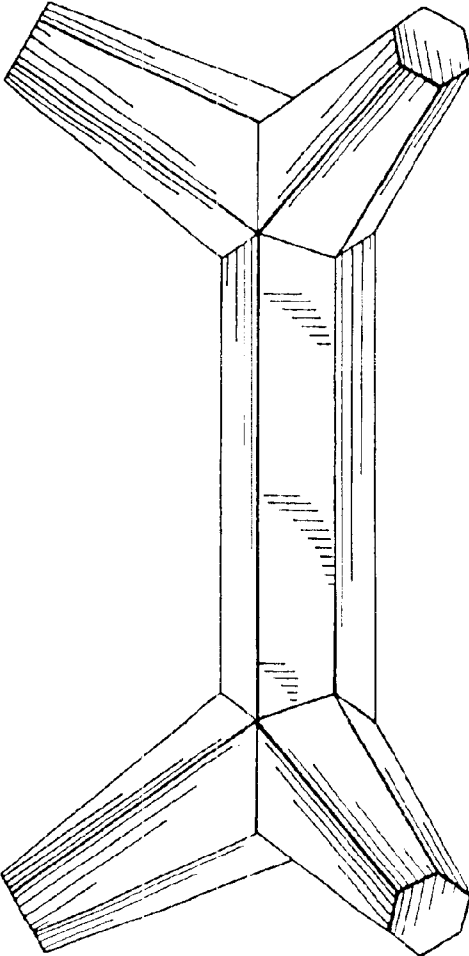


FIG. 4

