



US00D685646S

(12) **United States Design Patent**
DeMarco

(10) **Patent No.:** **US D685,646 S**

(45) **Date of Patent:** **** Jul. 9, 2013**

(54) **COSMETIC CONTAINER**

(75) Inventor: **Jenny DeMarco**, Frisco, TX (US)

(73) Assignee: **Mary Kay Inc.**, Dallas, TX (US)

(**) Term: **14 Years**

(21) Appl. No.: **29/415,101**

(22) Filed: **Mar. 7, 2012**

(51) **LOC (9) Cl.** **09-01**

(52) **U.S. Cl.**

USPC **D9/558**; D9/454; D9/529; D9/539;
D9/688; D9/689

(58) **Field of Classification Search**

USPC D9/516, 530, 549, 558, 571-575,
D9/682, 686-692, 694, 500, 502-505, 529,
D9/837, 539-546, 552; D7/300, 598; 215/379,
215/381-382, 384; 220/660, 662, 669, 675
See application file for complete search history.

(56) **References Cited**

U.S. PATENT DOCUMENTS

| | | | | |
|--------------|---------|---------------|-------|--------|
| D155,043 S * | 8/1949 | Serra | | D9/504 |
| D206,292 S * | 11/1966 | Koenigsberg | | D9/548 |
| D207,189 S * | 3/1967 | Thomson | | D9/558 |
| D209,244 S * | 11/1967 | Koenigsberg | | D9/548 |
| D225,730 S * | 1/1973 | Peterson | | D9/529 |
| D248,449 S * | 7/1978 | Douglas | | D9/502 |
| D263,115 S * | 2/1982 | Ohmori | | D9/632 |
| D263,807 S * | 4/1982 | Kingsford | | D9/504 |
| D387,994 S | 12/1997 | Heinz | | D9/545 |
| D390,117 S | 2/1998 | Kan et al. | | D9/529 |
| D438,785 S | 3/2001 | Baron | | D9/689 |
| D448,306 S | 9/2001 | De Biovellina | | D9/560 |
| D448,678 S | 10/2001 | Bakic | | D9/574 |
| D449,537 S | 10/2001 | Feigenbaum | | D9/529 |
| D460,697 S | 7/2002 | Del Bon | | D9/565 |
| D472,147 S | 3/2003 | Hermann | | D9/504 |
| D476,237 S | 6/2003 | Canepa | | D9/545 |

| | | | | |
|--------------|---------|------------------|-------|--------|
| D481,947 S * | 11/2003 | Levesque | | D9/444 |
| D491,691 S * | 6/2004 | Braaten et al. | | D28/76 |
| D511,102 S | 11/2005 | Trudeau | | D9/544 |
| D517,424 S | 3/2006 | Martos Sanchez | | D9/682 |
| D521,386 S | 5/2006 | Priestman | | D9/529 |
| D524,161 S * | 7/2006 | Sauer et al. | | D9/529 |
| D531,041 S * | 10/2006 | Sauer et al. | | D9/529 |
| D535,891 S | 1/2007 | Varlet | | D9/573 |
| D538,673 S | 3/2007 | Sterling et al. | | D9/552 |
| D541,167 S | 4/2007 | Matsumura et al. | | D9/558 |
| D542,135 S * | 5/2007 | Machmadow | | D9/503 |
| D546,697 S | 7/2007 | Schnipper et al. | | D9/529 |
| D558,052 S | 12/2007 | Harper et al. | | D9/530 |
| D564,893 S | 3/2008 | Adamson et al. | | D9/556 |
| D565,420 S | 4/2008 | Adamson et al. | | D9/556 |
| D565,954 S | 4/2008 | Adamson et al. | | D9/516 |
| D570,690 S | 6/2008 | McGuinness | | D9/504 |
| D576,044 S | 9/2008 | Lamb et al. | | D9/504 |
| D582,278 S | 12/2008 | Bourne | | D9/504 |
| D582,283 S * | 12/2008 | O'Donahue | | D9/529 |

(Continued)

Primary Examiner — Ian Simmons

Assistant Examiner — Dana L Meyrow

(74) *Attorney, Agent, or Firm* — Fulbright & Jaworski, L.L.P.

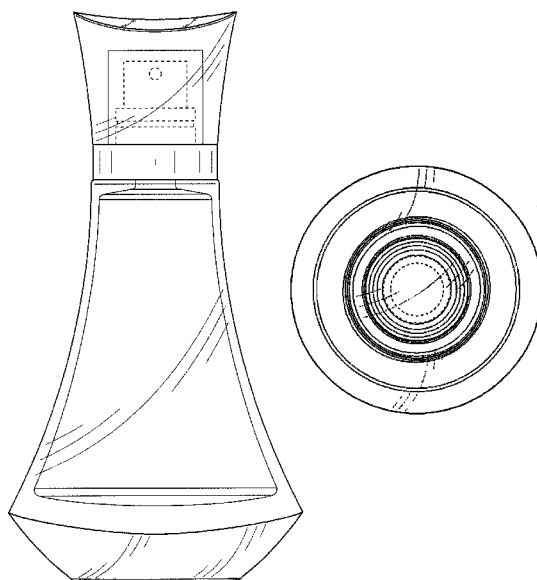
(57) **CLAIM**

The ornamental design for a cosmetic container, as shown and described.

DESCRIPTION

FIG. 1 is a top perspective view of my design;
FIG. 2 is a front view of my design;
FIG. 3 is a back view of my design;
FIG. 4 is a right side view of my design;
FIG. 5 is a left side view of my design; and,
FIG. 6 is a top view of my design.
The dashed lines in FIGS. 1-6 represent environmental structure and form no part of the claimed design.

1 Claim, 6 Drawing Sheets



US D685,646 S

Page 2

U.S. PATENT DOCUMENTS

| | | | | | | | |
|------------|---------|----------------------|--------|--------------|---------|-----------------------|--------|
| D584,953 S | 1/2009 | Rica | D9/544 | D621,268 S | 8/2010 | Morabito | D9/529 |
| D591,607 S | 5/2009 | Marotti et al. | D9/571 | D621,717 S | 8/2010 | Rica | D9/574 |
| D592,516 S | 5/2009 | Cummings et al. | D9/530 | D623,066 S | 9/2010 | Mongeon et al. | D9/529 |
| D604,180 S | 11/2009 | Nevins et al. | D9/691 | D623,521 S | 9/2010 | Marotti et al. | D9/516 |
| D608,213 S | 1/2010 | Kuzma | D9/573 | D627,651 S | 11/2010 | Marotti et al. | D9/516 |
| D609,571 S | 2/2010 | Butler et al. | D9/504 | D627,658 S | 11/2010 | Hale et al. | D9/552 |
| D611,825 S | 3/2010 | Usui et al. | D9/529 | D642,475 S * | 8/2011 | Crutchley et al. | D9/542 |
| D619,900 S | 7/2010 | Rica | D9/574 | | | | |

* cited by examiner

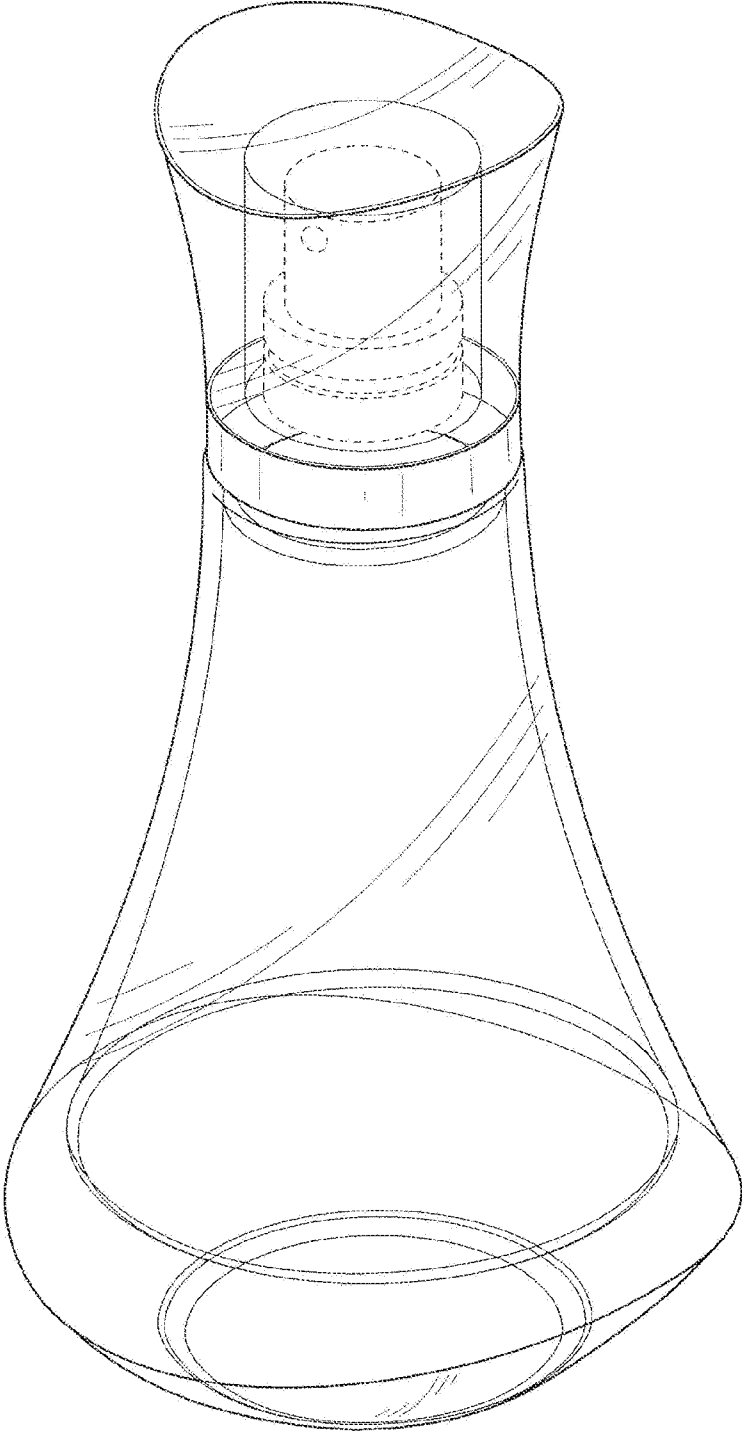


FIG. 1

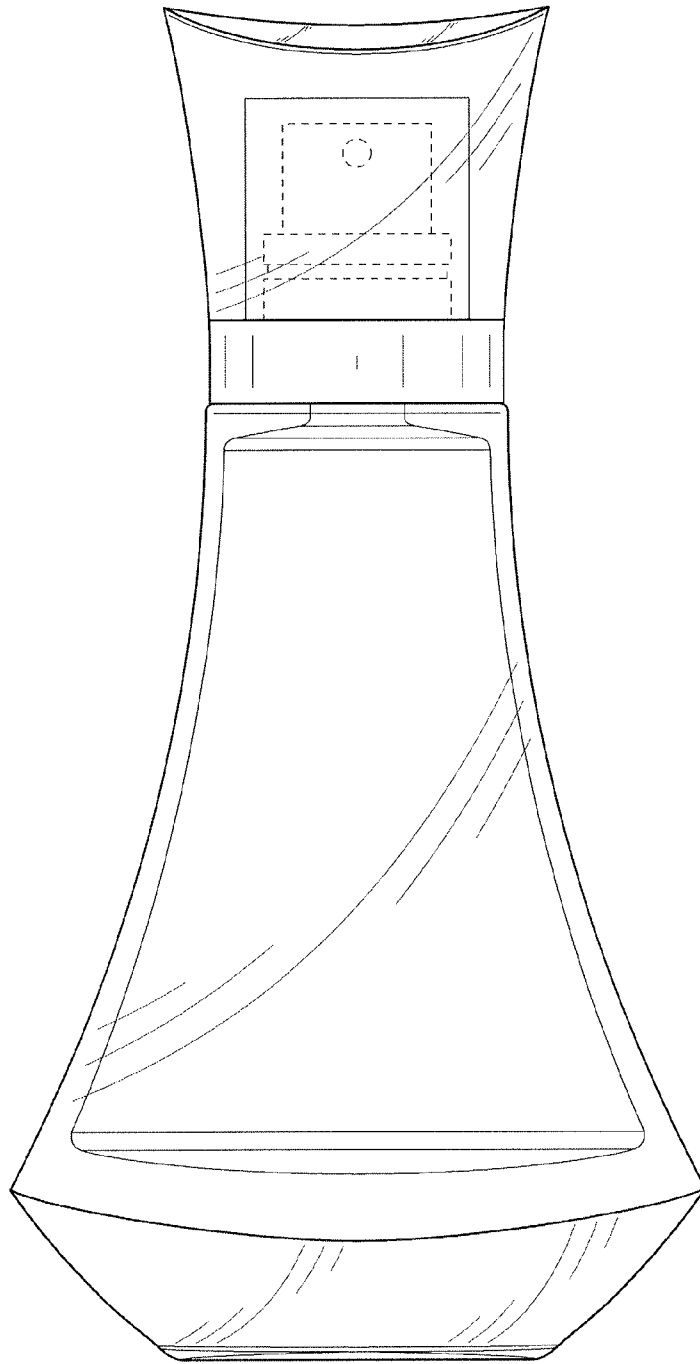


FIG. 2

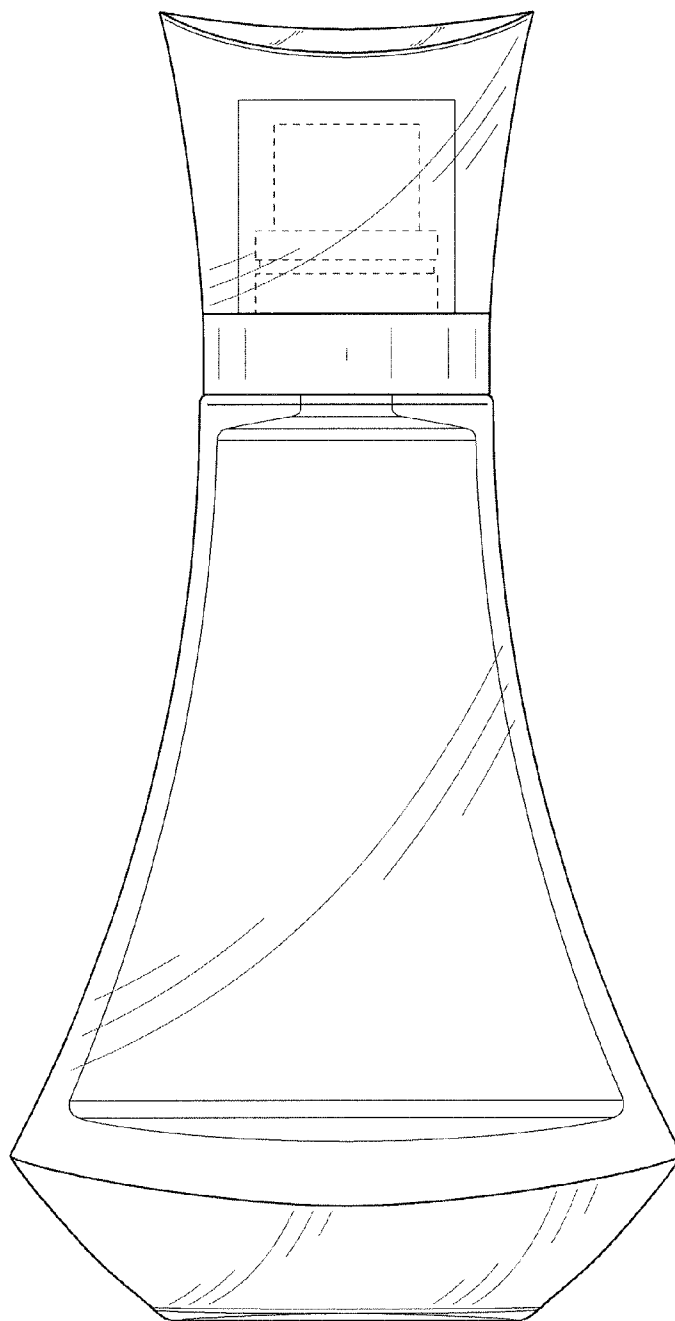


FIG. 3

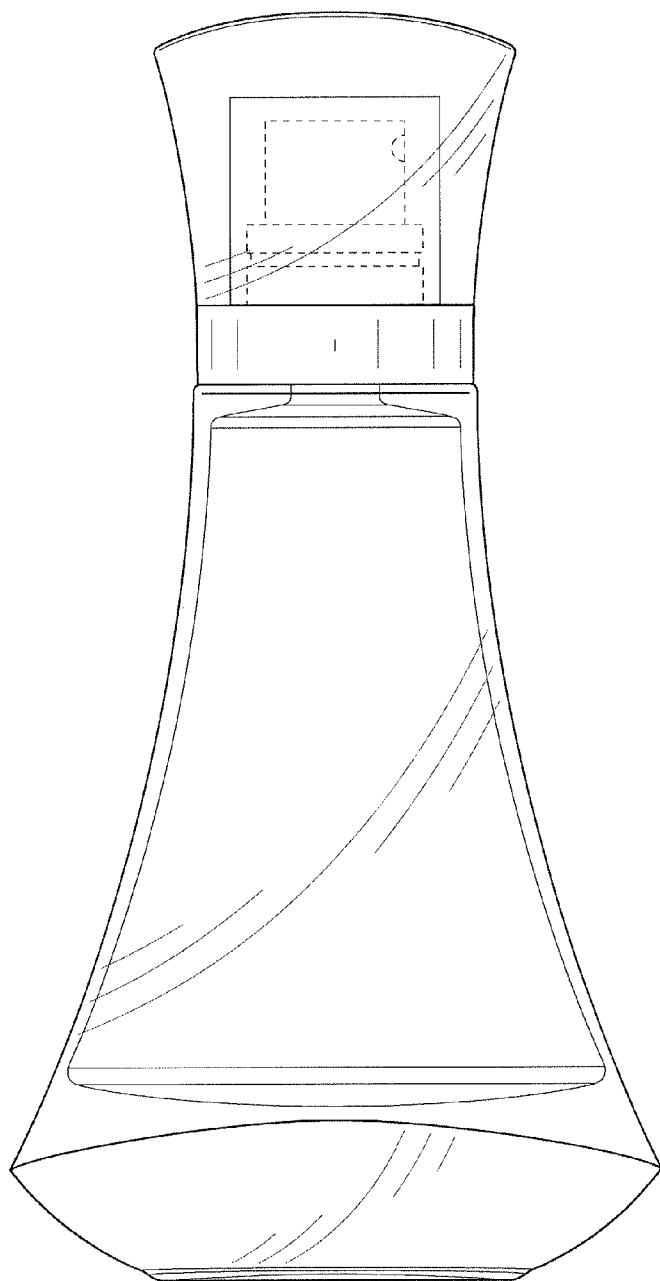


FIG. 4

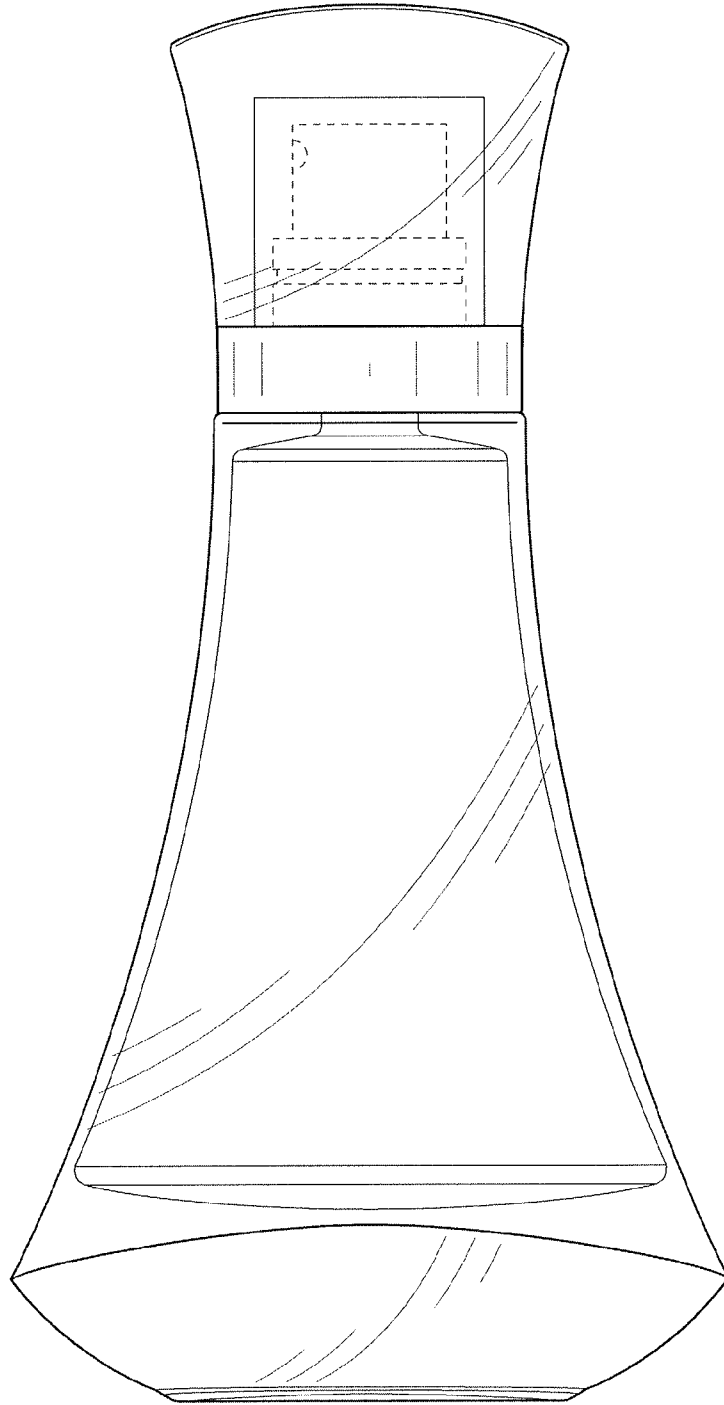


FIG. 5

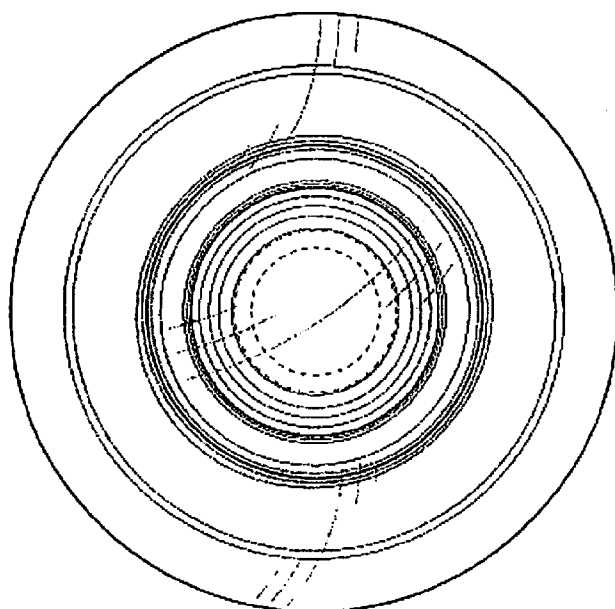


FIG. 6