



US00D355189S

# United States Patent [19]

[11] Patent Number: **Des. 355,189**

Folkes et al.

[45] Date of Patent: **\*\* Feb. 7, 1995**

[54] **TELEPHONE SET**

[75] Inventors: **Donovan M. Folkes**, Somerset, N.J.;  
**Paul A. Scheib**, New York, N.Y.;  
**Michael P. Zambelli**, Livingston,  
N.J.

[73] Assignee: **AT&T Corp.**, Murray Hill, N.J.

[\*\*] Term: **14 Years**

[21] Appl. No.: **17,934**

[22] Filed: **Jan. 26, 1994**

[52] U.S. Cl. .... **D14/149**

[58] Field of Search ..... D14/137, 128, 140, 142,  
D14/147, 148, 149-151, 240, 241; 379/58-61,  
419, 420, 428, 440, 434-436

[56] **References Cited**

**U.S. PATENT DOCUMENTS**

- D. 286,282 10/1986 Asaki ..... D14/148 X
- D. 287,971 1/1987 Bond ..... D14/148 X
- D. 293,103 12/1987 Gauffin et al. .... D14/151
- D. 295,623 5/1988 Gilberton ..... D14/151
- D. 296,692 7/1988 Besford et al. .... D14/148 X
- D. 316,857 5/1991 Park ..... D14/151 X
- D. 319,829 9/1991 Wu ..... D14/151
- D. 324,681 3/1992 Kluzoznik et al. .... D14/148 X

D. 345,975 4/1994 Bisky et al. .... D14/149

**OTHER PUBLICATIONS**

J. C. Penney catalog p. 708 ©1989, top left, AT&T cordless 5320 telephone.

*Primary Examiner*—Nelson C. Holtje  
*Assistant Examiner*—Jeffrey Asch  
*Attorney, Agent, or Firm*—Samuel R. Williamson

[57] **CLAIM**

The ornamental design of a telephone set, as shown and described.

**DESCRIPTION**

FIG. 1 is a top, front and right side perspective view of a telephone set showing our new design;

FIG. 2 is a top, rear and left side perspective view thereof;

FIG. 3 is a top plan view thereof;

FIG. 4 is a bottom plan view thereof;

FIG. 5 is a left side elevation thereof;

FIG. 6 is a right side elevation thereof;

FIG. 7 is a front elevation thereof; and,

FIG. 8 is a rear elevation thereof.

The broken line showings throughout the views are for illustrative purposes only and form no part of the claimed design.

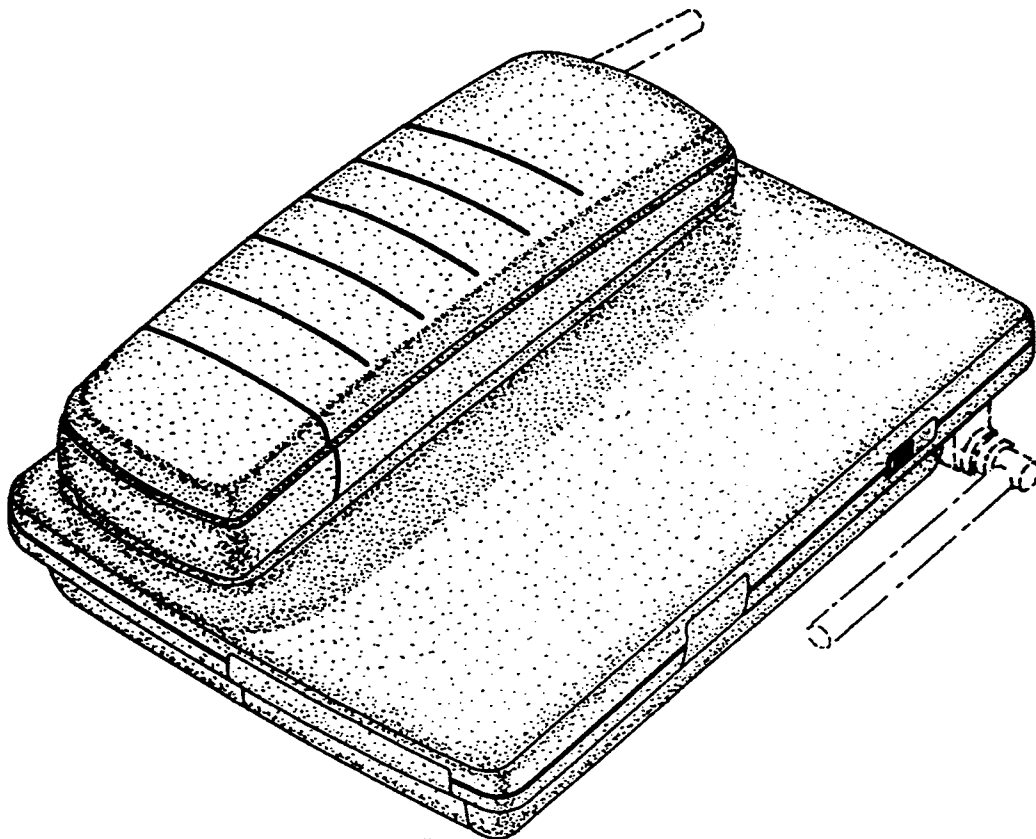


FIG. 1

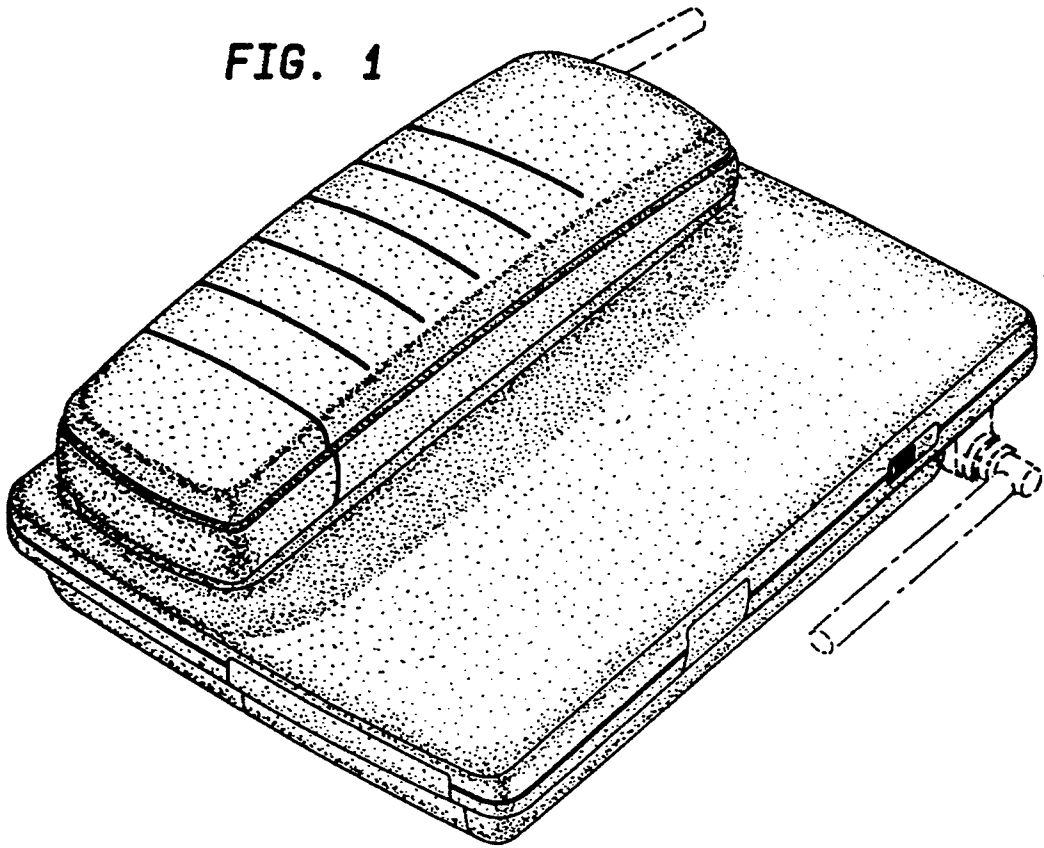


FIG. 2

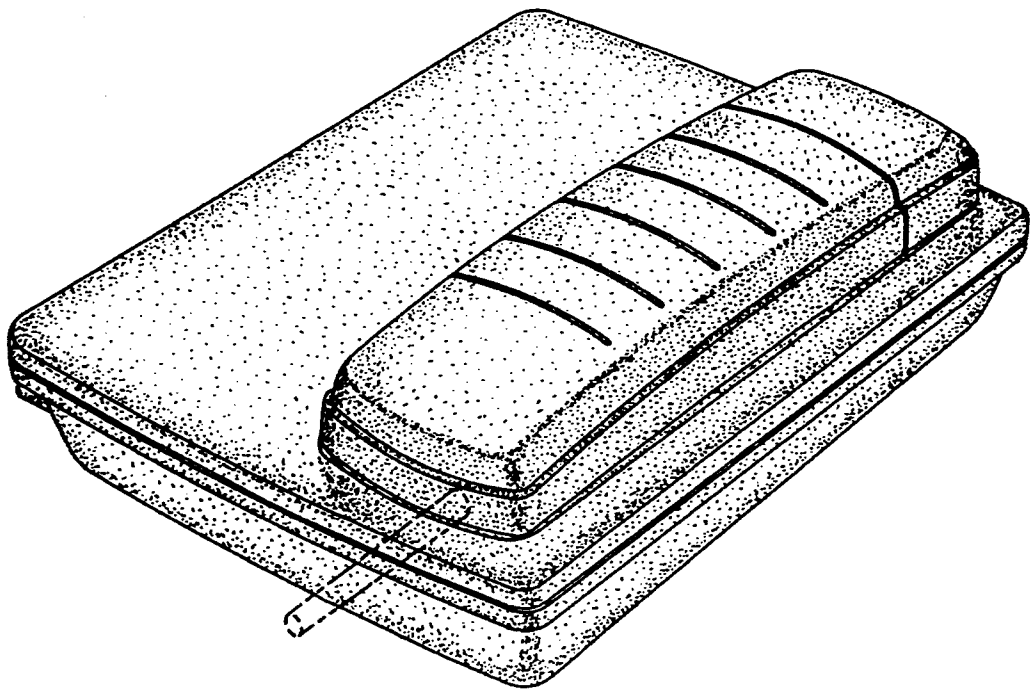


FIG. 3

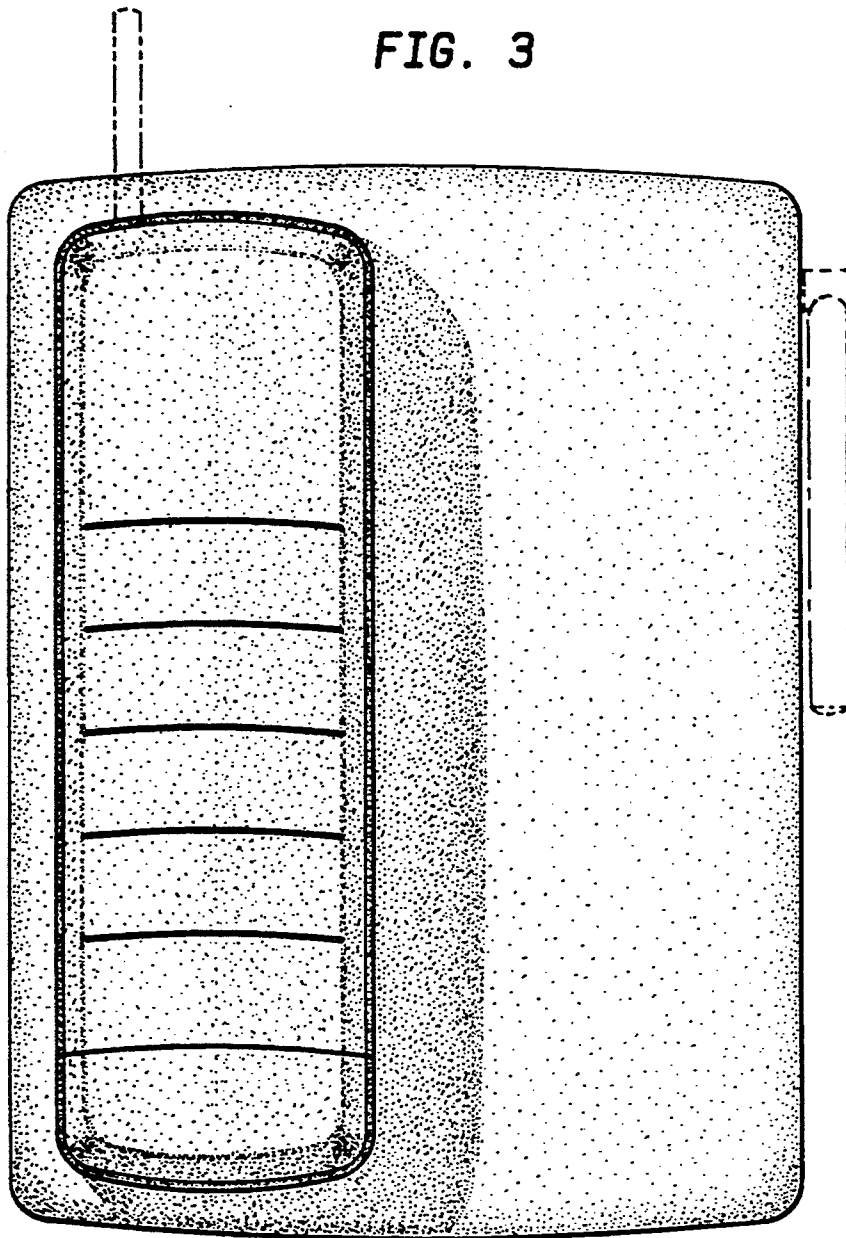


FIG. 7

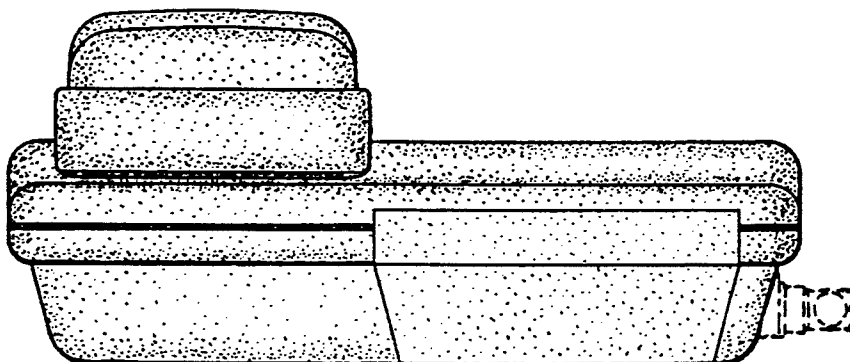


FIG. 4

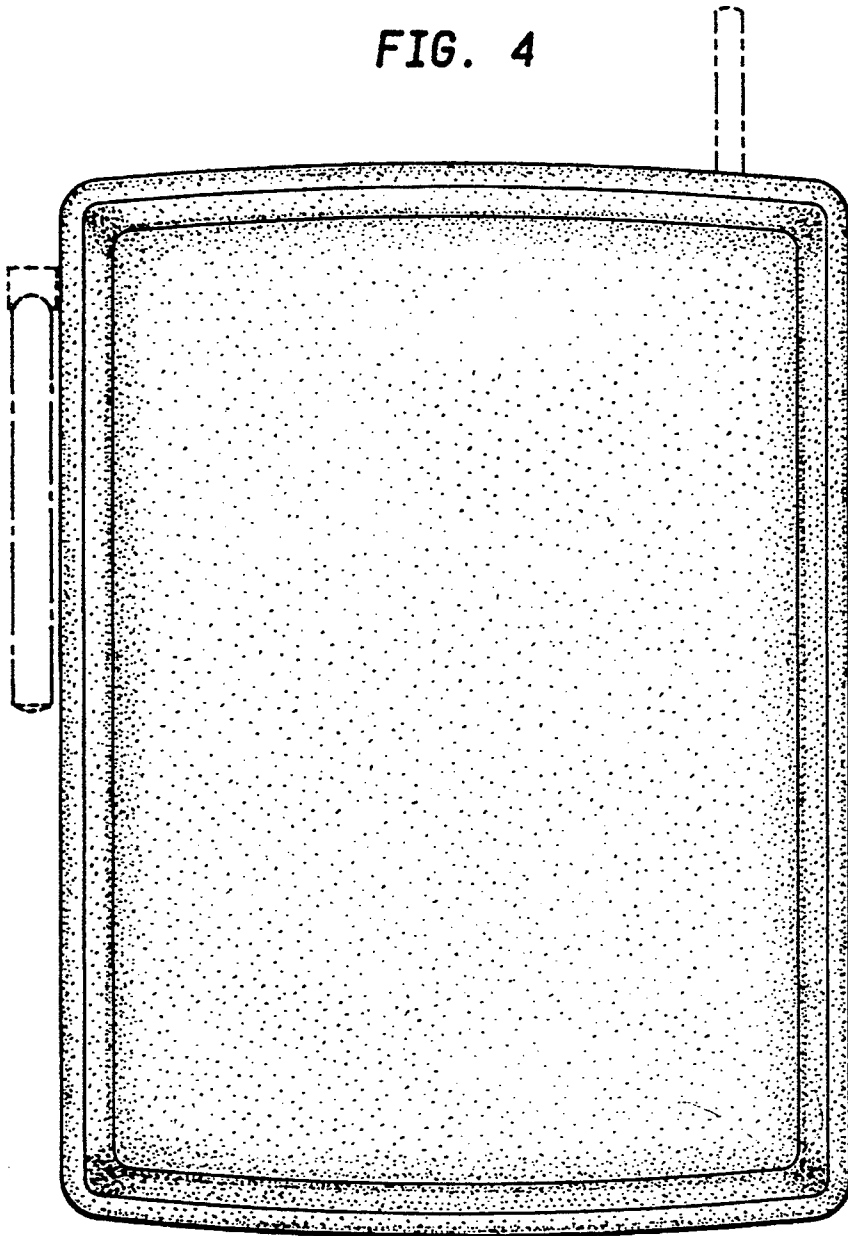


FIG. 8

