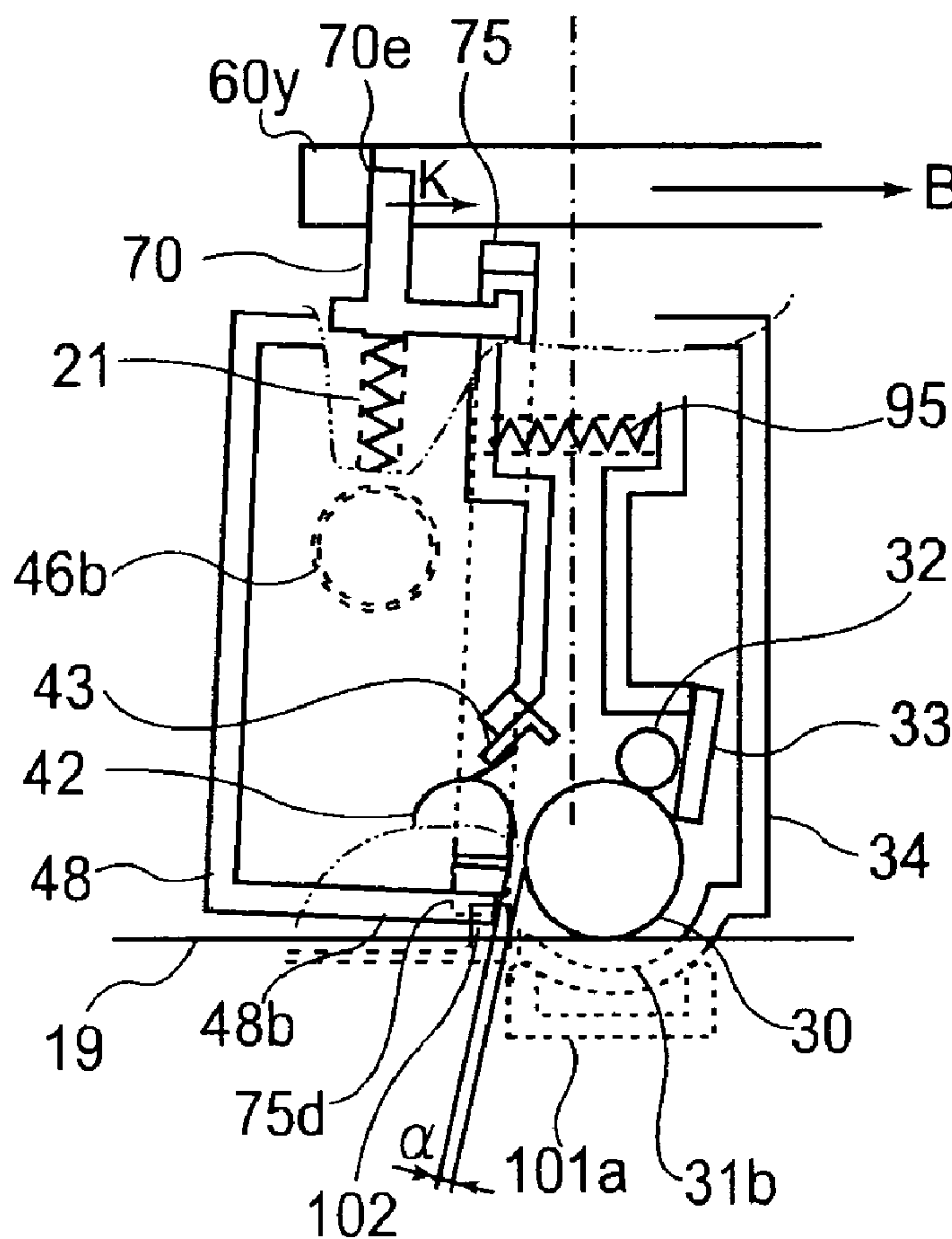




(86) **Date de dépôt PCT/PCT Filing Date:** 2008/06/30
 (87) **Date publication PCT/PCT Publication Date:** 2009/01/08
 (45) **Date de délivrance/Issue Date:** 2014/11/18
 (85) **Entrée phase nationale/National Entry:** 2009/12/29
 (86) **N° demande PCT/PCT Application No.:** JP 2008/062251
 (87) **N° publication PCT/PCT Publication No.:** 2009/005163
 (30) **Priorités/Priorities:** 2007/06/29 (JP2007-172743);
 2008/06/20 (JP2008-162312)

(51) **Cl.Int./Int.Cl. G03G 21/18** (2006.01)
 (72) **Inventeurs/Inventors:**
 MAESHIMA, HIDEKI, JP;
 MURAYAMA, KAZUNARI, JP;
 YOSHIMURA, AKIRA, JP
 (73) **Propriétaire/Owner:**
 CANON KABUSHIKI KAISHA, JP
 (74) **Agent:** RIDOUT & MAYBEE LLP

(54) **Titre : CARTOUCHE DE TRAITEMENT ET APPAREIL DE FORMATION D'IMAGE ELECTROPHOTOGRAPHIQUE**
 (54) **Title: PROCESS CARTRIDGE AND ELECTROPHOTOGRAPHIC IMAGE FORMING APPARATUS**



(57) **Abrégé/Abstract:**

A process cartridge detachably mountable to a main assembly of an electrophotographic image forming apparatus, includes an electrophotographic photosensitive drum; developing roller for developing an electrostatic latent image formed on the

(57) Abrégé(suite)/Abstract(continued):

electrophotographic photosensitive drum; drum frame supporting the electrophotographic photosensitive drum; a developing frame supporting the developing roller, the developing roller being movable relative to the drum frame between a contacting position in which the developing roller is in contact with the electrophotographic photosensitive drum and a spacing position in which the developing roller is spaced from the electrophotographic photosensitive drum; a force receiving member, provided movably relative to the developing frame, for receiving an external force, wherein the force receiving member is capable of taking an operating position for moving the developing frame from the contacting position to the spacing position by receiving the external force, and a stand-by position retracted from the operating position; an urging portion for urging the force receiving member from the stand-by position toward the operating position; and an engaging portion for engaging with the force receiving member to hold the force receiving member in the stand-by position against an urging force of the urging portion.

(12) INTERNATIONAL APPLICATION PUBLISHED UNDER THE PATENT COOPERATION TREATY (PCT)

(19) World Intellectual Property Organization
International Bureau(43) International Publication Date
8 January 2009 (08.01.2009)

PCT

(10) International Publication Number
WO 2009/005163 A1(51) International Patent Classification:
G03G 21/18 (2006.01)(21) International Application Number:
PCT/JP2008/062251

(22) International Filing Date: 30 June 2008 (30.06.2008)

(25) Filing Language: English

(26) Publication Language: English

(30) Priority Data:
2007-172743 29 June 2007 (29.06.2007) JP
2008-162312 20 June 2008 (20.06.2008) JP(71) Applicant (for all designated States except US): CANON
KABUSHIKI KAISHA [JP/JP]; 30-2, Shimomaruko
3-chome, Ohta-ku, Tokyo 146-8501 (JP).

(72) Inventors; and

(75) Inventors/Applicants (for US only): MAESHIMA,
Hideki [JP/JP]; c/o CANON KABUSHIKI KAISHA,
30-2, Shimomaruko 3-chome, Ohta-ku, Tokyo 146-8501(JP). MURAYAMA, Kazunari [JP/JP]; c/o CANON
KABUSHIKI KAISHA, 30-2, Shimomaruko 3-chome,
Ohta-ku, Tokyo 146-8501 (JP). YOSHIMURA, Akira
[JP/JP]; c/o CANON KABUSHIKI KAISHA, 30-2, Shi-
momaruko 3-chome, Ohta-ku, Tokyo 146-8501 (JP).(74) Agent: YAMADA, Ryuichi; TOKO International Patent
Office, Toranomom Sugai Bldg. 2F, 18-16, Toranomom
3-chome, Minato-ku, Tokyo 1050001 (JP).(81) Designated States (unless otherwise indicated, for every
kind of national protection available): AE, AG, AL, AM,
AO, AT, AU, AZ, BA, BB, BG, BH, BR, BW, BY, BZ, CA,
CH, CN, CO, CR, CU, CZ, DE, DK, DM, DO, DZ, EC, EE,
EG, ES, FI, GB, GD, GE, GH, GM, GT, HN, HR, HU, ID,
IL, IN, IS, KE, KG, KM, KN, KP, KR, KZ, LA, LC, LK,
LR, LS, LT, LU, LY, MA, MD, ME, MG, MK, MN, MW,
MX, MY, MZ, NA, NG, NI, NO, NZ, OM, PG, PH, PL,
PT, RO, RS, RU, SC, SD, SE, SG, SK, SL, SM, SV, SY,
TJ, TM, TN, TR, TT, TZ, UA, UG, US, UZ, VC, VN, ZA,
ZM, ZW.(84) Designated States (unless otherwise indicated, for every
kind of regional protection available): ARIPO (BW, GH,

[Continued on next page]

(54) Title: PROCESS CARTRIDGE AND ELECTROPHOTOGRAPHIC IMAGE FORMING APPARATUS

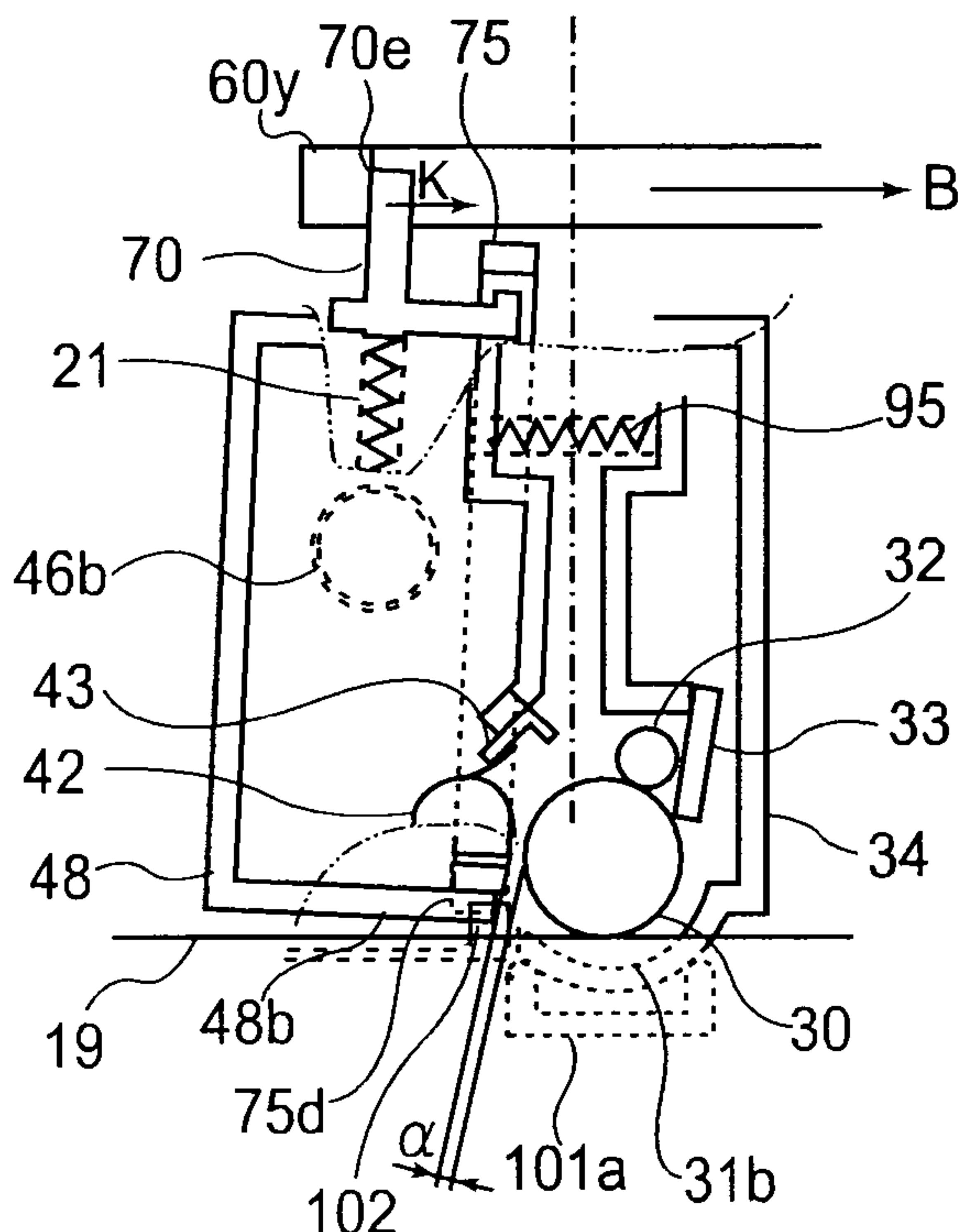


FIG. 8

(57) Abstract: A process cartridge detachably
mountable to a main assembly of an electropho-
tographic image forming apparatus, includes an
electrophotographic photosensitive drum; developing
roller for developing an electrostatic latent image
formed on the electrophotographic photosensitive
drum; drum frame supporting the electrophotographic
photosensitive drum; a developing frame supporting the
developing roller, the developing roller being movable
relative to the drum frame between a contacting
position in which the developing roller is in contact
with the electrophotographic photosensitive drum and
a spacing position in which the developing roller is
spaced from the electrophotographic photosensitive
drum; a force receiving member, provided movably
relative to the developing frame, for receiving an
external force, wherein the force receiving member
is capable of taking an operating position for moving
the developing frame from the contacting position to
the spacing position by receiving the external force,
and a stand-by position retracted from the operating
position; an urging portion for urging the force
receiving member from the stand-by position toward
the operating position; and an engaging portion for
engaging with the force receiving member to hold
the force receiving member in the stand-by position
against an urging force of the urging portion.

WO 2009/005163 A1

WO 2009/005163 A1



GM, KE, LS, MW, MZ, NA, SD, SL, SZ, TZ, UG, ZM, ZW), Eurasian (AM, AZ, BY, KG, KZ, MD, RU, TJ, TM), European (AT, BE, BG, CH, CY, CZ, DE, DK, EE, ES, FI, FR, GB, GR, HR, HU, IE, IS, IT, LT, LU, LV, MC, MT, NL, NO, PL, PT, RO, SE, SI, SK, TR), OAPI (BF, BJ, CF, CG, CI, CM, GA, GN, GQ, GW, ML, MR, NE, SN, TD, TG).

Published:

- *with international search report*
- *before the expiration of the time limit for amending the claims and to be republished in the event of receipt of amendments*

DESCRIPTION

PROCESS CARTRIDGE

AND

5 ELECTROPHOTOGRAPHIC IMAGE FORMING APPARATUS

[TECHNICAL FIELD]

The present invention relates to a process
cartridge made up of an electrophotographic
10 photosensitive drum and a development roller (which
processes photosensitive drum), in particular, a
process cartridge, the electrophotographic
photosensitive drum and development roller of which
can be placed in contact with, or separated from, each
15 other. The present invention also relates to an
electrophotographic image forming apparatus employing
the above described process cartridge.

[BACKGROUND ART]

20 In recent years, a process cartridge system has
come to be widely used in the field of an image
forming apparatus which uses an electrophotographic
image forming process. A process cartridge system is
one of the electrophotographic image forming systems.
25 It uses a cartridge in which an electrophotographic
photosensitive drum, and a development roller, that is,
a roller for processing an electrophotographic

photosensitive drum, are integrally disposed to make them removably mountable in the main assembly of an image forming apparatus. Thus, the employment of a process cartridge system makes it possible for a user
5 to maintain an electrophotographic image forming apparatus without relying on a service person. This is why a process cartridge system has come to be widely used in the field of an electrophotographic image forming apparatus.

10 A process cartridge is structured so that its development roller is kept pressured toward its electrophotographic photosensitive drum with the application of a preset amount of pressure, in order to keep the development roller in contact with the
15 photosensitive drum when forming an image. In a case of a so-called contact development method, that is, a development method which places a development roller in contact with a photosensitive drum to develop a latent image on the photosensitive drum, the elastic
20 layer of the development roller is kept pressed upon the peripheral surface of the photosensitive drum so that a preset amount of contact pressure is maintained between the peripheral surface of the development roller and that of the photosensitive drum.

25 Therefore, if a process cartridge is left unused in the main assembly of an image forming apparatus for a substantial length of time, the elastic layer of the

development roller sometimes deforms. Thus, if an image forming apparatus in which a process cartridge has been left unused for a substantial length of time is used for the first time thereafter, it is possible that a latent image will be nonuniformly developed. Further, in the case of a so-called contact development method, a development roller is in contact with a photosensitive drum during development. Therefore, developer sometimes transfers from a development roller onto the points of the peripheral surface of a photosensitive drum, to which developer is not supposed to adhere. Further, not only do a photosensitive drum and a development roller rotate in contact with each other during development, but also, during processes other than development. Therefore, a so-called contact development method exacerbates the deterioration of a photosensitive drum, a development roller, and developer.

One of the solutions to the above described problem is proposed in Japanese Laid-open Patent Application 2003-167499. According to this patent application, an image forming apparatus is provided with a mechanism which acts on a process cartridge to keep an electrophotographic photosensitive drum and a development roller separated from each other when an image is not actually being formed (Patent Document 1).

In the case of the image forming apparatus

proposed in Patent Document 1, its main assembly is structured so that four process cartridges are removably mountable in the main assembly. Each cartridge is made up of a photosensitive member unit and a development unit. The photosensitive member unit has a photosensitive member. The development unit supports a development roller, and is connected to the photosensitive member unit so that it can be rotationally moved relative to the photosensitive member unit. Further, the main assembly of the image forming apparatus is provided with a separation plate, whereas the process cartridge is provided with a force receiving portion. As the separation plate is moved, the force receiving portion receives the force from the separation plate, causing the development unit to move relative to the photosensitive member unit. As a result, the development roller, which was in contact with the photosensitive drum, separates from the photosensitive drum.

According to the prior art, the force receiving portion, that is, the portion which catches the force for separating a development roller and a photosensitive member from each other, remains projecting beyond the external contour of the development unit. Therefore, it is liable to be damaged while a user handles a process cartridge, or a process cartridge is conveyed alone. Further, the

presence of the above described force receiving
portion has been one of the major problems which arose
when studies were made to reduce in size a process
cartridge structured so that its electrophotographic
5 photosensitive member and development roller can be
placed in contact with, or separated from, each other,
and also, when studies were made to reduce in size the
main assembly of an image forming apparatus in which
such a process cartridge as the one described above is
10 removably mountable.

[DISCLOSURE OF THE INVENTION]

The primary object of the present invention is to
provide a process cartridge, the electrophotographic
15 photosensitive drum and development roller of which
can be placed in contact with, or separated from, each
other, and which is significantly smaller in size than
a counterpart in accordance with the prior art, and
also, to provide an electrophotographic image forming
20 apparatus in which a process cartridge in accordance
with the present invention, is removably mountable.

Another object of the present invention is to
provide a process cartridge, the force receiving
portion of which is significantly less liable to be
25 damaged while the process cartridge is transported
alone, than a counterpart in accordance with the prior
art.

According to an aspect of the present invention, there is provided a process cartridge detachably mountable to a main assembly of an electrophotographic image forming apparatus, comprising an

5 electrophotographic photosensitive drum; developing roller for developing an electrostatic latent image formed on said electrophotographic photosensitive drum; drum frame supporting said electrophotographic photosensitive drum; a developing frame supporting

10 said developing roller, said developing roller being movable relative to said drum frame between a contacting position in which said developing roller is in contact with said electrophotographic

photosensitive drum and a spacing position in which

15 said developing roller is spaced from said electrophotographic photosensitive drum; a force receiving member, provided movably relative to said developing frame, for receiving an external force, wherein said force receiving member is capable of

20 taking an operating position for moving said developing frame from the contacting position to the spacing position by receiving the external force, and a stand-by position retracted from the operating position; an urging portion for urging said force

25 receiving member from the stand-by position toward the operating position; and an engaging portion for engaging with said force receiving member to hold said

force receiving member in the stand-by position against an urging force of said urging portion.

According to another aspect of the present invention, there is provided an electrophotographic image forming apparatus for forming an image on a recording material, said apparatus comprising:

- (i) a movable force applying member;
- (ii) mounting means;
- (iii) a process cartridge detachably mounted to said mounting means, said process cartridge including an electrophotographic photosensitive drum, developing roller for developing an electrostatic latent image formed on said electrophotographic photosensitive drum, drum frame supporting said electrophotographic photosensitive drum, a developing frame supporting said developing roller, said developing roller being movable relative to said drum frame between a contacting position in which said developing roller is in contact with said electrophotographic photosensitive drum and a spacing position in which said developing roller is spaced from said electrophotographic photosensitive drum, a force receiving member, provided movably relative to said developing frame, for receiving an external force when the force applying member moves, wherein said force receiving member is capable of taking an operating position for moving said developing frame from the

contacting position to the spacing position by
receiving the external force, and a stand-by position
retracted from the operating position, an urging
portion for urging said force receiving member from
5 the stand-by position toward the operating position,
and an engaging portion for engaging with said force
receiving member to hold said force receiving member
in the stand-by position against an urging force of
said urging portion, and

10 (vi) feeding means for feeding the recording
material.

These and other objects, features, and advantages
of the present invention will become more apparent
upon consideration of the following description of the
15 preferred embodiments of the present invention, taken
in conjunction with the accompanying drawings.

[BRIEF DESCRIPTION OF THE DRAWINGS]

Figure 1 is a schematic sectional view of the
20 electrophotographic image forming apparatus in the
first embodiment of the present invention, showing the
general structure of the apparatus.

Figure 2 is a schematic sectional view of the
process cartridge in the first embodiment of the
25 present invention.

Figure 3 is also a schematic sectional view of
the electrophotographic image forming apparatus in the

first embodiment of the present invention, showing the general structure of the apparatus.

Figure 4 is another schematic sectional view of the electrophotographic image forming apparatus in the first embodiment of the present invention, showing how the process cartridges therein are replaced.

Figure 5 is a schematic sectional view of one of the process cartridges, and its adjacencies, in the electrophotographic image forming apparatus in the first embodiment of the present invention, at a plane perpendicular to the axial line of the photosensitive drum.

Figure 6 is a schematic sectional view of one of the process cartridges, and its adjacencies, in the electrophotographic image forming apparatus in the first embodiment of the present invention, at a plane perpendicular to the axial line of the photosensitive drum.

Figure 7 is a schematic sectional view of one of the process cartridges, and its adjacencies, in the electrophotographic image forming apparatus in the first embodiment of the present invention, at a plane perpendicular to the axial line of the photosensitive drum.

Figure 8 is a schematic sectional view of one of the process cartridges, and its adjacencies, in the electrophotographic image forming apparatus in the

first embodiment of the present invention, at a plane perpendicular to the axial line of the photosensitive drum.

Figure 9 is a perspective view of the process
5 cartridge in the first embodiment of the present invention, as seen from the side from which the cartridge is driven.

Figure 10 is a perspective view of the process
10 cartridge in the first embodiment of the present invention, as seen from the side from which the cartridge is driven.

Figure 11 is a perspective view of the process
15 cartridge in the first embodiment of the present invention, as seen from the opposite side from the side from which the cartridge is driven.

Figure 12 is a perspective view of the process
cartridge in the first embodiment of the present invention, as seen from the opposite side from the side from which the cartridge is driven.

20 Figure 13 is a perspective view of the force receiving member and releasing member in the first embodiment of the present invention, showing in detail the mechanical structure thereof.

Figure 14 is another perspective view of the
25 force receiving member and releasing member in the first embodiment of the present invention, showing in detail the mechanical structure thereof.

Figures 15(a) and 15(b) are detailed schematic drawings of the force receiving member and releasing member in the first embodiment of the present invention, showing in detail the mechanical structure thereof.

Figures 16(a) and 16(b) also are detailed schematic drawings of the force receiving member and releasing member in the first embodiment of the present invention, showing in detail the mechanical structure thereof.

Figure 17 is another detailed schematic drawing of the force receiving member and releasing member, in the first embodiment of the present invention, showing in detail the mechanical structure thereof.

Figure 18 is another detailed schematic drawing of the force receiving member and releasing member, in the first embodiment of the present invention, showing in detail the mechanical structure thereof.

Figure 19 also is a detailed schematic drawing of the force receiving member and releasing member in the first embodiment of the present invention, showing in detail the mechanical structure thereof.

Figure 20 is another detailed schematic drawing of the force receiving member and releasing member in the first embodiment of the present invention, showing in detail the mechanical structure thereof.

Figure 21 is a schematic detailed drawing of the

force receiving member in the first embodiment of the present invention, showing in detail the mechanical structure thereof.

Figure 22 is another detailed schematic drawing of the force receiving member in the first embodiment of the present invention, showing in detail the mechanical structure thereof.

Figure 23 is a schematic sectional view of the electrophotographic image forming apparatus in the first embodiment of the present invention, showing the general structure of the apparatus.

Figure 24 is a schematic sectional view of the electrophotographic image forming apparatus in the first embodiment of the present invention, showing the general structure of the apparatus.

Figure 25 is a schematic sectional view of the electrophotographic image forming apparatus in the first embodiment of the present invention, showing the general structure of the apparatus.

Figure 26 is a schematic drawing of the guiding hole of the electrophotographic image forming apparatus in the first and second embodiments of the present invention.

Figure 27 is a schematic drawing of the force applying first member in the first embodiment of the present invention, showing the operation of the force applying member.

Figure 28 also is a schematic drawing of the force applying first member in the first embodiment of the present invention, showing the operation of the force applying first member.

5 Figure 29 is a perspective view of the electrophotographic image forming apparatus in the first embodiment of the present invention.

Figure 30 is a partially cutaway perspective view of the electrophotographic image forming apparatus in
10 the first embodiment of the present invention.

Figure 31 is a schematic sectional view of one of the process cartridges, and its adjacencies, in the electrophotographic image forming apparatus in the second embodiment of the present invention, at a plane
15 perpendicular to the axial line of the photosensitive drum.

Figure 32 is a schematic sectional view of one of the process cartridges, and its adjacencies, in the electrophotographic image forming apparatus in the
20 second embodiment of the present invention, at a plane perpendicular to the axial line of the photosensitive drum.

Figure 33 is a schematic sectional view of one of the process cartridges, and its adjacencies, in the
25 electrophotographic image forming apparatus in the second embodiment of the present invention, at a plane perpendicular to the axial line of the photosensitive

drum.

Figure 34 is a schematic sectional view of one of the process cartridges, and its adjacencies, in the electrophotographic image forming apparatus in the second embodiment of the present invention, at a plane perpendicular to the axial line of the photosensitive drum.

Figure 35 is a schematic perspective view of the force applying second member, and force receiving member of the process cartridge in the second embodiment of the present invention, showing the operations thereof.

Figure 36 also is a schematic perspective view of the force applying second member, and force receiving member of the process cartridge in the second embodiment of the present invention, showing the operations thereof.

Figure 37 is a schematic sectional view of the electrophotographic image forming apparatus in the second embodiment of the present invention, showing the general structure of the apparatus.

Figure 38 also is a schematic sectional view of the electrophotographic image forming apparatus in the second embodiment of the present invention, showing the general structure of the apparatus.

Figure 39 is another a schematic sectional view of the electrophotographic image forming apparatus in

the second embodiment of the present invention,
showing the general structure of the apparatus.

Figure 40 is a schematic sectional view of the
electrophotographic image forming apparatus in the
5 second embodiment of the present invention, showing
how the process cartridges therein are replaced.

Figure 41 is a schematic drawing of the force
applying second member in the second embodiment of the
present invention, showing the operation of the force
10 applying second member.

Figure 42 is a partially cutaway perspective view
of the electrophotographic image forming apparatus in
the second embodiment of the present invention.

Figure 43 is a schematic drawing of the force
15 applying first member in the second embodiment of the
present invention, showing the operation of the force
applying first member.

Figure 44 also is a schematic drawing of the
force applying first member in the second embodiment
20 of the present invention, showing the operation of the
force applying first member.

[BEST MODE FOR CARRYING OUT THE INVENTION]

(Embodiment 1)

25 Next, referring to Figures 1 - 4, the process
cartridges and electrophotographic image forming
apparatuses in this preferred embodiment of the

present invention will be described.

Figure 1 is a schematic sectional view of the electrophotographic image forming apparatus 100 (which hereafter will be referred to simply as apparatus main assembly), in which multiple (four) process cartridges 50y, 50m, 50c, and 50k (which hereafter may be referred to simply as cartridges 50) which have been removably mounted. The multiple (four) cartridges 50 store yellow, magenta, cyan, and black toners (developers), one for one. Figure 2 is a schematic sectional view of the cartridge itself. Figures 3 and 4 are schematic sectional drawings of the electrophotographic image forming apparatus in this embodiment, which are for showing how any cartridge or cartridges 50 are removed from the main assembly of the image forming apparatus.

{General Structure of Electrophotographic Image Forming Apparatus}

The electrophotographic image forming apparatus in this embodiment is structured to carry out the following image forming operation. Referring to Figure 1, first, the uniformly charged area of the peripheral surface of each of the electrophotographic photosensitive drums (which hereafter will be referred to as photosensitive drums) 30y, 30m, 30c, and 30k is scanned by a beam of laser light 11 projected by a laser scanner 10, with which the apparatus main

assembly 100 is provided, while being modulated with pictorial signals. As a result, an electrostatic latent image is effected on the peripheral surface of each photosensitive drum 30. This electrostatic latent image is developed by a development roller 42, into a visible image; an image is formed of toner (developer) on the peripheral surface of the photosensitive drum 30. In other words, yellow, magenta, cyan, and black toner images are formed on the photosensitive drums 30y, 30m, 30c, and 30k, respectively. Then, these toner images are sequentially transferred by the voltages applied to transfer rollers 18y, 18m, 18c, and 18k, onto a transfer belt 19 supported and stretched by rollers 20 - 22. Thereafter, the toner images on the transfer belt 19 are transferred by a transfer roller 3, onto a sheet of recording medium P delivered by a recording medium conveyance roller 1 as a recording medium conveying means. Then, the recording medium P is conveyed to a fixation unit 6 made up of a driver roller, and a fixation roller having an internal heater. In the fixation unit 6, heat and pressure is applied to the recording medium P and the toner images thereon. As a result, the toner images on the recording medium P are fixed to the recording medium P. Then, the recording medium P is discharged onto a delivery tray 9 by a pair of discharge rollers 7.

{General Structure of Process Cartridge}

Next, referring to Figures 1, 2, 5 - 8, 29 and 30, the cartridges 50 (50y, 50m, 50c, and 50k) in this embodiment will be described. The multiple (four) 5 cartridges 50 in this embodiment are the same in structure although they are different in the color of the toner T they store. Thus, the structure of the cartridges 50 will be described with reference to the cartridge 50y.

10 Referring to Figure 2, the cartridge 50y is provided with a photosensitive drum 30, and processing means which process the photosensitive drum 30. The processing means in this embodiment are a charge 15 roller 32 which is the charging means for charging the photosensitive drum 30, a development roller 42 which is the developing means for developing a latent image formed on the photosensitive drum 30, a blade 33 which is the cleaning means for removing the residual toner remaining on the peripheral surface of the 20 photosensitive drum 30, etc. The cartridge 50y is made up of a drum unit 31 and a development unit 41.

{Structure of Drum Unit}

Referring to Figures 2, 4, 9 - 12, and 30, the drum unit 31 includes the abovementioned 25 photosensitive drum 30, charge roller 32, and blade 33. It also includes a waste toner storing portion 35, a drum unit main frame 34, and lateral covers 36 and 37

(which hereafter will be referred to simply as cover). Referring to Figures 9, 10(a) and 10(b), one of the lengthwise end portions of the photosensitive drum 30 is rotatably supported by the supporting portion 36b of the cover 36, whereas the other lengthwise end of the photosensitive drum 30 is rotatably supported by the supporting portion 37b of the cover 37 as shown in Figures 11 and 12. The covers 36 and 37 are firmly attached to the lengthwise ends of the drum unit main frame 34, one for one. Next, referring to Figures 9, 10(a), and 10(b), the lengthwise end portion of the photosensitive drum 30 is provided with a coupling member 30a for transmitting driving force to the photosensitive drum 30. The coupling member 30a engages with a first coupling member 105 of the apparatus main assembly 100, shown in Figures 4 and 30, as the cartridge 50y is mounted into the apparatus main assembly 100. Thus, as driving force is transmitted from a motor (unshown) with which the apparatus main assembly 100 is provided, to the coupling member 30a, the photosensitive drum 30 rotates in the direction indicated by an arrow mark u in Figure 2. The charge roller 32 is supported by the drum unit main frame 34 so that it is rotated in contact with the photosensitive drum 30 by the rotation of the photosensitive drum 30. The blade 33 is supported also by the drum unit main frame 34 so

that it remains in contact with the peripheral surface of the photosensitive drum 30 with the presence of a preset amount of pressure between the blade 33 and the peripheral surface of the photosensitive drum 30. The covers 36 and 37 are provided with holes 36a and 37a for supporting the development unit 42 in such a manner that the development unit 42 is rotationally movable relative to the drum unit 31.

{Structure of Development Unit}

10 Referring to Figures 2, 10(a), and 10(b), the development unit 41 has the abovementioned development roller 42. It also has a development blade 43, a development unit main frame 48, a bearing unit 45, and a pair of lateral covers 46. The development unit main frame 48 has a toner storage portion 49 in which the toner to be supplied to the development roller 42 is stored. It supports the development blade 34 which regulates the thickness to which toner is coated on the peripheral surface of the development roller 42.

20 Referring to Figures 10(a) and 10(b), the bearing unit 45 is firmly attached to one of the lengthwise end portions of the development unit main frame 48. It rotatably supports the development roller 42, one of the lengthwise end portions of which has a development roller gear 69. Further, the bearing unit 45 is provided with an idler gear 68, which transmits driving force from a coupling member 67 to the

25

development roller gear 69. The cover 46 is securely attached to the outward side of the bearing unit 45, in terms of the lengthwise direction of the bearing unit 45, in a manner to cover the coupling member 67 and idler gear 68. Further, the cover 46 is provided with a cylindrical portion 46b, which protrudes outward from the outward surface of the cover 46. The coupling member 67 is exposed through the hollow of the cylindrical portion 46b. The apparatus main assembly 100 and process cartridge 50y are structured so that as the process cartridge 50y is mounted into the apparatus main assembly 100, the coupling portion 67a of the coupling member 67 engages with the second coupling member 106 of the apparatus main assembly 100, which is shown in Figure 30, transmitting thereby driving force from the motor (unshown) with which the apparatus main assembly 100 is provided, to the process cartridge 50y.

{Connection of Development Unit to Drum Unit}

Referring to Figures 10(a) and 10(b), the development unit 41 and drum unit 31 are connected in the following manner: First, at one end of the process cartridge 50y, the cylindrical portion 46b is fitted into the supporting hole 36a. At the other end, a projection 48b which projects from the development unit main frame 48 is fitted into the supporting hole 37a. As a result, the development unit 41 is connected

to the drum unit 31 in such a manner that the development unit 41 is rotationally movable relative to the drum unit 31. Next, referring to Figures 9 and 11, the development unit 41 is kept pressured by a compression spring 95, which are elastic members, in the direction to be rotated about the cylindrical portion 46b and projection 48b so that the development roller 42 is kept in contact with the photosensitive drum 30. That is, the development unit 41 is kept pressed by the resiliency of the compression spring 95 in the direction indicated by a narrow mark G, generating a moment H which acts in the direction to rotate the development unit 41 about the cylindrical portion 46b and projection 48b. Thus, the development roller 42 is kept in contact with the photosensitive drum 30 with the presence of the preset amount of contact pressure between the development roller 42 and photosensitive drum 30. The position in which the development unit 41 is when it is kept in contact with the photosensitive drum 30 is referred to as "contact position".

Referring to Figures 9 and 11, the compression spring 95 in this embodiment is located on the opposite side from one of the lengthwise end portions, where the coupling member 30a of the photosensitive drum 30, and the coupling member 67 of the development roller 42, are located. This is for the following

reason: As the coupling member 67 of the development roller 42 receives driving force from the coupling member 106 of the apparatus main assembly 100, the moment H is generated in the direction to rotate the development unit 41 about the cylindrical portion 46b, as shown in Figure 2. Thus, at the lengthwise end of the cartridge 50y, the development roller 42 is pressed upon the photosensitive drum 30, generating thereby the preset amount of contact pressure between the development roller 42 and photosensitive drum 30, whereas, at the other lengthwise end, the development roller 42 is kept pressed upon the photosensitive drum 30 by the compression spring 95.

{Force Receiving Member}

Referring to Figures 5 - 8, the cartridge 50y is provided with a force receiving member 70 for placing the development roller 42 and photosensitive drum 30 in contact with each other, or separating them from each other, in the apparatus main assembly 100. Next, referring to Figures 10(a), 10(b), 13, and 14, the force receiving member 70 has a hook portion 70a. The hook portion 70a is connected to one end of a spring 21 for keeping the force receiving member 70 pressured, whereas the other end of the spring 21 is connected to the hook portion 48a of the development unit frame 48, as shown in Figures 13 and 14.

Referring to Figure 10(b), the force receiving

member 70 is attached to a bearing unit 45 by engaging a rotational shaft 70g, which is a part of the force receiving member 70, with the guiding portion of the bearing unit 45. After the attachment of the force receiving member 70, the cover 46 is attached to the development unit frame 45 in a manner to cover the bearing unit 45 from the direction parallel to the axial line of the development roller 42. The detail of the operation of the force receiving member 70 will be given later.

{Cartridge Tray of Electrophotographic Image Forming Apparatus Main Assembly}

Next, the cartridge tray 13, which is in the form of a drawer, will be described.

Referring to Figure 4, the cartridge tray 13 is attached to the apparatus main assembly 100 in such a manner that, in practical terms, it can be horizontally and linearly moved relative to the apparatus main assembly 100. That is, the cartridge tray 13 can be moved (pushed into, or pulled out of, the apparatus main assembly 100) in the direction indicated by an arrow mark D1 or D2, respectively, which is virtually horizontal direction. The apparatus main assembly 100 is structured so that the cartridge tray 13 can be locked in the innermost position (image forming position, shown in Figure 1, in the apparatus main assembly 100), and the outermost position

(cartridge replacement position: cartridge mounting or removing position, shown in Figure 4, which is the farthest position to which the cartridge tray 13 can be pulled out). The cartridge 50 is mounted into the cartridge tray 13 by an operator in the direction indicated by an arrow mark C, which is virtually parallel to the direction of gravity, as shown in Figure 4. The cartridge tray 13 is structured so that as the cartridges 50 are mounted into the cartridge tray 13, the cartridges 50 become arranged in tandem, in the direction parallel to the direction in which the cartridge tray 13 is movable, with their lengthwise direction (which is parallel to axial lines of photosensitive drum 30 and development roller 42) being perpendicular to the moving direction of the cartridge tray 13. As the cartridge tray 13 is pushed into the apparatus main assembly 100, the cartridges 50 in the cartridge tray 13 enter the apparatus main assembly 100, with the presence of a preset amount of gap f2 (Figure 5) between the photosensitive drum 30 in each cartridge 50, and an intermediary transfer belt 19 located below the cartridge path in the apparatus main assembly 100. Then, as the cartridge tray 13 is moved into its innermost position in the apparatus main assembly 100, each cartridge 50 is properly positioned in the apparatus main assembly 100 by the cartridge positioning portion 101a provided in

the apparatus main assembly 100 (Figures 5 and 30).
The cartridge positioning operation will be described
later in detail. A user is to close the door 12 after
pushing the cartridge tray 13 all the way into the
5 apparatus main assembly 100. Closing the door 12
ensures that each cartridge 50 is properly mounted
into the apparatus main assembly 100. Therefore, in
terms of operability, this structural arrangement for
the apparatus main assembly 100 and cartridges 50 is
10 superior to the structural arrangement of an
electrophotographic image forming apparatus in
accordance with the prior art, which requires the
cartridges 50 to be individually mounted into the
apparatus main assembly 100 by a user.

15 Next, referring to Figures 23 - 26, the operation
of the cartridge tray 13 will be described. Figures 23
- 26 do not show the cartridges 50, in order to make
it easier to understand the operation of the cartridge
tray 13.

20 The cartridge tray 13 is supported by a pair of
tray supporting members 14 in such a manner that the
cartridge tray 13 can be pulled out of the apparatus
main assembly 100 while remaining supported by the
tray supporting members 14. The tray supporting
25 members 14 are moved by the movement of the door 12
which can be opened or closed by an operator (user).
The door 12 is attached to the apparatus main assembly

100 so that it can be rotationally moved about its rotational axis 12a. The door 12 is rotationally movable between a position (shut position) in which it completely covers an opening 80, as shown in Figure 23, and a position (open position) in which it fully exposes the opening 80 as shown in Figure 24.

When it is necessary to take out any cartridge 50 or cartridges 50 in the apparatus main assembly 100, the door 12 is to be rotationally moved from the shut position to the open position. As the door 12 is rotationally moved, a pair of projections 15 (connective pins) with which the door 12 is provided, move in the clockwise direction about the rotational axis 12a, while moving in a pair of elongated holes 14c, one for one, with which the tray supporting member 14 is provided, from the bottom end 14c2 of the elongated hole 14c to the top end 14c1 of the elongated hole 14c, as shown in Figure 24. As a result, the tray supporting members 14 are moved by the projections 15 in the direction indicated by the arrow mark z1. As the tray supporting members 14 are moved in the abovementioned direction z1, the projections 14d1 and 14d2, which project from each of the tray supporting members 14 are guided by the guiding holes 107 with which the apparatus main assembly 100 is provided, as shown in Figure 25. Referring to Figure 26, each guiding hole 107 has three sections, that is,

two horizontal sections 107a1 and 107a3, and one diagonal section 107a2. The diagonal section 107a2 extends diagonally upward from the horizontal section 107a1 to the horizontal section 17a3. Therefore, as
5 the door 12 is moved from the shut position to the open position, as shown in Figure 24, the projections 14d1 and 14d2 are guided by the guiding hole 107, sequentially through the horizontal section 107a1, diagonal section 107a2, and horizontal section 107a3.
10 Thus, the tray supporting members 14 are first moved in the direction indicated by the arrow mark z1 (Figure 24), and then, are moved in the direction indicated by an arrow mark y1 (Figure 24), that is, direction to move away from the transfer belt 19. With
15 the tray supporting members 14 moved all the way in the direction indicated by the arrow mark y1, the cartridge tray 13 can be pulled out of the apparatus main assembly 100 through the opening 80 in the direction indicated by the arrow mark D2, as shown in
20 Figure 25. Figure 30 is a partially cutaway perspective view of the image forming apparatus after the cartridge tray 13 has been pulled out of the apparatus main assembly 100 to its outermost position.

Next, the case in which any cartridge or
25 cartridges 50 are mounted into the apparatus main assembly 100 will be described. Referring to Figure 25, the cartridge tray 13 is to be pushed into the

apparatus main assembly 100 in the direction of the
arrow mark D1 through the opening 80, with the door 12
kept in the open position. Thereafter, the door 12 is
to be moved into the shut position as shown in Figure
5 23. As the door 12 is moved, each of the projection 15
of the door 12 moves in the counterclockwise direction
about the rotational axis 12a, while moving in the
corresponding elongated hole 14c of the tray
supporting member 14, to the bottom end 14c2 of the
10 elongated hole 14c, as shown in Figure 23. Thus, the
tray supporting member 14 is moved in the direction of
the arrow mark z2 (Figure 23) by the pair of
projections 15. Therefore, as the door 12 is moved
into the shut position as shown in Figure 23, the
15 projections 14d1 and 14d2 are guided by the horizontal
section 107a1, diagonal section 107a2, and horizontal
section 107a3, in the listed order, as shown in Figure
23. Therefore, the tray supporting members 14 move,
first, in the direction of the arrow mark z2 (Figure
20 23), and then, in the direction of the arrow mark y2
(Figure 23), that is, the direction to move closer to
the transfer belt 19.

{Positioning of Process Cartridge Relative to
Electrophotographic Image Forming Apparatus Main
25 Assembly}

Next, referring to Figures 5 - 8, 23 - 25, and 30,
the positioning of the cartridge 50 in the apparatus

main assembly 100 will be described. Referring to Figures 5 and 30, the apparatus main assembly 100 is provided with multiple pairs (four pairs in this embodiment) of cartridge positioning portions 101a for positioning a cartridge 50 relative to the apparatus main assembly 100. That is, each cartridge compartment of the cartridge tray 13 is provided with a pair of cartridge positioning portions 101a, which are located at the lengthwise ends of the corresponding compartment, one for one, in terms of the direction parallel to the lengthwise direction of the cartridge 50, in a manner to sandwich the transfer belt 19. Next, referring to Figures 6 and 23, as the door 12 is moved from the opening position to the shut position, the cartridge tray 13 and cartridges 50 move in the direction indicated by an arrow mark y2 (Figure 23), causing the drum unit positioning portion 31b, with which the drum unit 31y is provided, to come into contact with the corresponding cartridge positioning portion 101a of the apparatus main assembly 100. As a result, the cartridge 50y is positioned relative to the apparatus main assembly 100.

At this time, a releasing member 75, which is moved by the movement of the door 12, will be described. Referring to Figures 23 - 25, as the door 12 is moved from the open position to the shut position, the tray supporting member 14 is moved by

the direction indicated by the arrow mark y2 (Figure 23). This movement of the tray supporting members 14 causes the projection 31b, with which the drum unit frame 34 is provided, to be properly positioned by the positioning portion 101a of the apparatus main assembly 101, as shown in Figure 6.

Referring to Figures 5 and 6, as the tray supporting member 14 and cartridges are moved in the direction indicated by the arrow mark y2, a releasing member pushing member 102, which is firmly attach to the apparatus main assembly 100, pushes up the releasing member 75, with which the cartridge 50 is provided. The releasing mechanism of the releasing member 75 will be described later in detail.

{Development Roller Separating Mechanism of Electrophotographic Image Forming Apparatus Main Assembly}

Next, referring to Figures 5 - 8, 10, 13, and 14, the mechanism for moving the force receiving member 70, with which the cartridge 50y is provided, will be described. Figures 5 - 8 are schematic sectional views of the cartridge 50y in the apparatus main assembly 100, at a plane perpendicular to the axial line of the photosensitive drum 30, and Figure 10(a) is a detailed perspective view of the cartridge 50y, as seen from the side from which the cartridge 50y is driven. Figures 13 and 14 are detailed perspective views of a

part of the development unit 41.

As described above, as the door 12 is moved from the open position to the shut position, the drum frame projection 31a of the cartridge 50y is moved in the direction indicated by the arrow mark y2 (Figure 6), being thereby positioned by the positioning portion 101a of the apparatus main frame 100. During this movement of the drum frame projection 31a, the bottom end portion 75d (portion of contact) of the releasing member 75 comes into contact with the releasing member pushing member 102. Thus, the releasing member 75 is pushed in the opposite direction from the direction indicated by the arrow mark y2, being therefore pushed up. That is, as the door 12 is closed, the releasing member 75 receives external force (second external force) from the releasing member pushing member 102. Next, referring to Figures 5 and 13, initially, the releasing member 75 is in contact with the force receiving member 70. However, as the releasing member 75 is pushed up, it becomes separated from the force receiving member 70. As a result, the force receiving member 70 rotates about the rotational axle 70g (Figure 13), with which the force receiving member 70 is provided, in a manner to rotate from its standby position, shown in Figure 5, outward of the development unit 41, that is, the direction to move away from the rotational axis 46b of the development

unit 41, as shown in Figures 6 and 14.

Next, the operation of the force applying first member 60 will be described.

Referring to Figures 1 and 3, in terms of the vertical direction of the apparatus main assembly 100, the force applying first member 60 is positioned so that after the proper positioning of the each cartridge 50 in the apparatus main assembly 100, the force applying first member 60 is above the cartridge 50. In terms of the direction parallel to the axial line of the photosensitive drum 30, the force applying first member 60 is positioned so that it is enabled to come into contact with the force receiving portion 70a of the force receiving member 70 which is at the corresponding lengthwise ends of the cartridge 50.

Referring to Figures 27 and 28, driving force is transmitted from a motor 110 (mechanical power source) with which the apparatus main assembly 100 is provided, to a gear 112 through a gear 111. As the driving force is transmitted to the gear 112, the gear 112 rotates in the direction indicated by an arrow mark L, rotating thereby the cam portion 112a, which is an integral part of the gear 112, in the direction indicated by the arrow mark L. The cam portion 112a is in contact with the moving force receiving portion 60b, with which the force applying first member 60 is provided. Therefore, as the cam portion 112a rotates,

the first applying first member 60 is moved in the direction indicated by an arrow mark E or B.

Figure 27 shows the force applying first member 60 after it has moved in the direction indicated by the arrow mark E. When the force applying first member 60 is in the state shown in Figure 27, the development roller 42 and photosensitive drum 30 are still in contact with each other (Figure 7). Figure 28 shows the force applying first member 60 after it has moved in the direction indicated by the arrow mark B. When the force applying first member 60 is in the state shown in Figure 28, the force receiving member 70 is in contact with the rib 60y, and therefore, it receives force from the force applying first member 60. As the force receiving member 70 receives force from the force applying first member 60, it rotationally moves the development unit 41 about the rotational axis 46b, causing the development roller 42 to separate from the photosensitive drum 30 (Figure 8). This position of the development unit 41, shown in Figure 28, will be referred to as the separation position of the development unit 41.

While each cartridge 50 is moved into the apparatus main assembly 100, the force receiving member 70 of the cartridge 50 remains in the standby position (Figure 5). Therefore, the force applying first member 60 can be positioned significantly closer

to the cartridge path in the apparatus main assembly, without allowing the force applying first member 60 and cartridge 50 to interfere with each other during the mounting of the cartridge 50, compared to the force applying member of an image forming apparatus in accordance with the prior art, making it possible to minimize the wasted space, and therefore, making it possible to significantly reduce the apparatus main assembly 100 in vertical dimension.

{Description of Mounting of Process Cartridge into Electrophotographic Image Forming Apparatus Main Assembly, and Force Receiving Member}

Next, the operational sequence from the beginning of the mounting of the cartridge 50 into the apparatus main assembly 100, to the separation of the development roller 42 from the photosensitive drum 30, will be described.

Referring to Figure 4, it is after the cartridge tray 13 is pulled out of the apparatus main assembly 100 to its outermost position, that each cartridge 50 can be mounted into, or removed from, the cartridge tray 13 in the vertical direction, which is indicated by the arrow mark C.

After the mounting of the cartridge(s) 50 into the cartridge tray 13, the cartridge tray 13 is to be moved into the apparatus main assembly 100 in the direction indicated by the arrow D1, through the

opening 80. That is, in this embodiment, each cartridge 50 is horizontally moved into the apparatus main assembly 100, from the direction which is intersectional (roughly perpendicular) to the axial
5 line of the photosensitive drum 30.

Referring to Figure 3, the cartridge 50y is mounted most downstream in the cartridge tray 13 in terms of the direction in which the cartridge tray 13 is moved (mounted) into the apparatus main assembly
10 100. That is, the cartridge 50y moves below the ribs 60k, 60c, and 60m of the force applying first member 60 from upstream to downstream.

Also in terms of the direction in which the cartridge tray 13 is into the apparatus main assembly
15 100, the cartridge 50m is mounted in the second cartridge compartment from the downstream end of the cartridge tray 13. Thus, when the cartridge tray 13 is mounted into the apparatus main assembly 100, the cartridge 50m is moved below the ribs 60k and 60c of
20 the force applying first member 60, which act on the cartridge 50k and 50c, from upstream to downstream. Also in terms of the direction in which the cartridge tray 13 is into the apparatus main assembly 100, the cartridge 50c is mounted in the third cartridge
25 compartment from the downstream end of the cartridge tray 13. Thus, when the cartridge tray 13 is mounted into the apparatus main assembly 100, the cartridge

50c is moved below the ribs 60k of the force applying first member 60, which acts on the cartridge 50k, from upstream to downstream.

Moreover, in terms of the direction in which the cartridge tray 13 is into the apparatus main assembly 100, the cartridge 50k is mounted in the most upstream cartridge compartment from the downstream end of the cartridge tray 13. Thus, as the cartridge tray 13 is mounted into the apparatus main assembly 100, the cartridge 50k is moved deep enough into the apparatus main assembly 100 for the force receiving member 70 to move under the force applying portion 60k of the force applying first member 60, which acts on the cartridge 50k, from upstream to downstream.

If the cartridge 50 were designed so that its force receiving member 70 remains projecting while the cartridge 50 is moved into the apparatus main assembly 100, the force applying first member 60 would have to be positioned higher than where it is in this embodiment, in order to prevent the force receiving member 70 and force applying first member 60 from interfering with each other. In this embodiment, however, the cartridge 50 is designed so that the force receiving member 70 is kept in its standby position, that is, the position in which it does not project from the cartridge 50. Therefore, the force applying first member 60 can be positioned closer to

the cartridge path, because the distance by which the force receiving member 70 projects does not need to be taken into consideration. In other words, designing the cartridge 50 so that its force receiving member 70 remains in its standby position while the cartridge 50 is mounted into the apparatus main assembly 100 makes it possible to reduce the apparatus main assembly 100 in vertical dimension.

Thus, in this embodiment, when the cartridge tray 13, which is holding the cartridges 50, is moved into the apparatus main assembly 100, there are a gap f1 between the force applying first member 60 and force receiving member 70, and a gap f2 between the photosensitive drum 30 and transfer belt 19, as shown in Figure 5, preventing thereby each cartridge 50 and apparatus main assembly 100 from interfering with each other while the cartridge 50 is mounted into the apparatus main assembly 100.

Referring to Figures 23 - 25, after the cartridge tray 13 is pushed all the way into the apparatus main assembly 100, the door 12 is to be moved into the shut position. As the door 12 is moved into the shut position, the tray supporting members 14 are moved toward the transfer belt 19 (direction indicated by arrow mark y2). Hereafter, the vertical component of this movement of the tray supporting members 14 in the direction indicated by the arrow mark y2 will be

referred to as a distance f_2 . As the tray supporting members 14 are moved in the direction indicated by the arrow mark y_2 , the cartridges 50 are moved toward the transfer belt 19 by the movement of the tray supporting members 14, causing thereby the peripheral surface of the photosensitive drum 30 in each cartridge 50 to come into contact with the surface of the transfer belt 19, as shown in Figure 6. Thus, by the time the peripheral surface of the photosensitive drum 30 comes into contact with the surface of the transfer belt 19, the gap f_1 between the force receiving apparatus 70 and force applying first member 60 widens to the sum of the gaps f_1 and f_2 .

Further, referring to Figure 6, as the door 12 is moved into the shut position, the cartridge positioning member 31b of each cartridge 50 comes into contact with the corresponding cartridge positioning portion 101a, with which the apparatus main assembly 100 is provided, properly positioning thereby the cartridge 50 relative to the apparatus main assembly 100.

As described above, the restriction upon the movement of the force receiving member 70 by the releasing member 75 is removed by the function of the releasing member pushing member 102, with which the apparatus main assembly 100 is provided. Thus, as the restriction placed on the force receiving member 70 by

the releasing member 75 is removed, the force receiving member 70 rotates from its standby position in the direction to make its force receiving portion 70a move out of (project from) the development unit 41 of the cartridge 50y, that is, in the direction to move away from the rotational axis 46b of the development unit 41, as shown in Figure 6.

However, as the force receiving member 70 rotates as described above, the top surface of the force receiving member 70 comes into contact with the bottom surface of the rib 60y of the force applying first member 60. As a result, the movement of the force receiving member 70 is regulated by the rib 60y (state shown in Figure 6). This position of the force receiving member 70 will be referred to as the intermediate position.

In this embodiment, a position of the force applying first member 60, which corresponds to the above described intermediate position of the force receiving member 70, is made to be the home position of the force applying first member 60. This is for the following reason. That is, while the image forming apparatus is not used for image formation after the mounting of the cartridges 50, each cartridge 50 remains in the state shown in Figure 8, that is, the state in which the force applying first member 60 has moved in the direction indicated by the arrow mark B,

and the force receiving member 70 has come into contact with the rib 60y, being thereby prevented from moving further. It is in this state that the photosensitive drum 30 and development roller 42 remain separated from each other. That is, it is in this state, shown in Figure 8, in which the photosensitive drum 30 and development roller 42 remain separated from each other, that the cartridge 50 is removed from the apparatus main assembly 100. Thus, when the cartridge 50 is mounted into the apparatus main assembly 100 next time, the force receiving member 70 comes into contact with the rib 60y, because the force applying first member 60 is in the position shown in Figure 8. Therefore, as the force receiving member 70 is rotated out of its standby position, it comes into contact with the bottom surface of the rib 60y, as shown in Figure 6.

Incidentally, the surface of the force receiving member 70, by which the force receiving member 70 receives external force (first external force) from the force applying first member 60, faces the direction from which each cartridge 50 is moved into the apparatus main assembly 100. Making the force receiving surface of the force receiving member 70 face in the above described direction ensure that as the force receiving member 70 receives force from the force applying first member 60, the development unit

41 is efficiently moved relative to the photosensitive drum 30, and also, that the photosensitive drum 30 and development roller 42 are kept separated from each other.

5 As the force applying first member 60 is moved from the position shown in Figure 6 to the position shown in figure 7 in the direction indicated by the arrow mark E, the force receiving portion of the force receiving member 70 is rotated farther outward of the
10 cartridge 50y, entering thereby the path of the rib 60y. This position of the force receiving member 70, that is, the position in which the force receiving portion of the force receiving member 70 has moved all the way into the path of the rib 60y, will be referred
15 to as the protrusive position (active position). That is, when the force receiving member 70 is in its protrusive position, it projects more from the cartridge 50y than it is in its standby position or intermediary position, which is obvious. In order for
20 the force receiving member 70 to come into contact with the fore applying first member 60 when the cartridge 50 is moved into the apparatus main assembly 100, the distance by which the force receiving member 70 projects when the force receiving member 70 is in
25 the protrusive position needs to be greater than the sum of the gaps f1 and f2. Further, the operation of the force applying first member 60 is started after

the mounting of each cartridge 50 into the apparatus main assembly 100, and immediately before the starting of the next image forming operation.

Next, the force applying first member 60 is moved
5 in the direction indicated by the arrow mark B as shown in Figure 8. As the force applying first member 60 is moved, the lateral surface 70e of the force receiving member 70, that is, the force applying first member contacting surface of the force receiving
10 member 70 which is in the path of the force applying first member 60, receives the external force (first external force) from the rib 60y of the force applying first member 60. As a result, the development unit 41 is rotationally moved about the rotational axis 46b
15 (shaft), causing the development roller 42 to separate from the photosensitive drum 30 by a distance of α .

Thus, when an image forming operation is carried out next time, the force applying first member 60 is to be moved in the direction indicated by the arrow
20 mark E to place the development roller 42 in contact with the photosensitive drum 30. As the force applying first member 60 is moved in the direction indicated by the arrow mark E, the force receiving member 70 becomes separated from the force applying first member
25 60, stopping thereby receiving force from the rib 60y, as shown in Figure 7. Consequently, the development roller 42 is placed in contact with the photosensitive

drum 30 by the resiliency of the spring 95 placed between the development unit 41 and drum unit 31, readying thereby the cartridge 50y for image formation. It should be noted here that the rotation of the

5 photosensitive drum 30 is started before the development roller 42 is placed in contact with the photosensitive drum 30. Further, the development roller 42, which rotates by receiving driving force from the apparatus main assembly 100 through the

10 coupling portion 67a, also begins to be rotated before the development roller 42 is placed in contact with the photosensitive drum 30, for the following reason. That is, with both the rotation of the photosensitive drum 30 and rotation of the development roller 42

15 started before the placement of the development roller 42 in contact with the photosensitive drum 30, the difference in the peripheral velocity between the photosensitive drum 30 and development roller 42 is significantly smaller than otherwise. Therefore, the

20 cartridge 50 in this embodiment is significantly smaller in the frictional wear which occurs to the photosensitive drum 30 and development roller 42 when they are placed in contact with each other than a process cartridge structured otherwise. It should be

25 noted here that this arrangement regarding the timing of the starting of the rotation of the photosensitive drum 30 and development roller 42 is possible because

the cartridge 50 is structured so that the axial line of the cylindrical portion 46b coincides with that of the coupling portion 67a, in order to ensure that even when the development unit 41 is rotationally moved about the cylindrical portion 46b, the coupling portion 67a does not change in position. After the completion of image formation, the development roller 42 is separated from the photosensitive drum 30 by moving the force applying first member 60 in the direction indicated by the arrow mark B as described above. It is after the separation of the development roller 42 from the photosensitive drum 30 that the rotation of the development roller 42 and photosensitive drum 30 is stopped. Therefore, the cartridge 50 in this embodiment is significantly smaller in the difference in peripheral velocity between the photosensitive drum 30 and development roller 42, being therefore significantly smaller in the amount of the frictional wear which occurs, when the development roller 42 is separated from the photosensitive drum 30, than a process cartridge structured otherwise. Consequently, the electrophotographic image forming apparatus in this embodiment is significantly superior in image quality to a comparable image forming apparatus in accordance with the prior art.

{Relationship Between Force Receiving Member and

Releasing Member}

Next, referring to Figures 5 - 6, 13 - 15(b), the relationship between the force receiving member 70 and releasing member 75 will be described. Figures 15(a) and 15(b) are detailed schematic drawings of the force receiving member and releasing member 75, showing the mechanical structure for releasing the force receiving member 70.

Referring to Figure 2, the cartridge 50y is provided with the force receiving member 70, which is for placing the development roller 42 and photosensitive drum 30 in contact with each other, or separating them from each other, in the apparatus main assembly 100. Next, referring to Figures 13 and 15(a), the force receiving member 70 is provided with a hook portion 70a, to which the tension spring 21 is attached as a tension generating member, by one of its lengthwise ends. The other end of the tension spring 21 is attached to the hook portion 48a of the development unit frame 48. Thus, the force receiving member 70 remains under the tension of the tension spring 21, which works in the direction to pull the force receiving member 70 from the standby position to the protrusive position. Referring also to Figures 13 and 15(a), the force receiving member 70 is provided with the force receiving portion 70e (Figures 7 and 8) and the contact portion 70b. The force receiving

portion 70e is the portion of the force receiving member 70, by which the force receiving member 70 receives external force from the force applying first member 60. The contact portion 70b is the portion of the force receiving member 70, with which the releasing member 75 comes into contact. While the contact portion 70b is in contact with the contact portion 75b with which the releasing member 75 is provided, the force receiving member 70 is prevented from rotationally moving from the standby position to the protrusive position.

Referring also to Figures 13 and 15(a), the releasing member 75 is provided with a hook portion 75c, to which the second tension spring 22 is attached by one of its lengthwise ends. The other end of the second tension spring 22 is connected to the hook portion 48c, with which the development unit frame 48 is provided. Thus, the releasing member 75 is kept pulled in the direction indicated by an arrow mark y3 (Figure 3). Further, the development unit frame 48 is provided with a releasing member regulating portion 48b, which is for regulating the movement of the releasing member 75 which remains pulled in the abovementioned direction indicated by the arrow mark y3.

Next, the movement of the force receiving member 70 from its standby position to its protrusive

position will be described.

Referring to Figures 5, 6, and 13 - 15(b), when the cartridge 50 is properly positioned relative to the apparatus main assembly 100 by the cartridge
5 positioning portion 101a of the apparatus main assembly 100, the releasing member pushing member 102, which is solidly attached to the image forming apparatus main frame, comes into contact with the contact portion 75d of the releasing member 75, and
10 presses on the contact portion 75d. Thus, the releasing member 75 moves in the direction indicated by an arrow mark y4 (Figure 14), causing its contact portion 75b to separate from the contact portion 70b of the force receiving member 70. As a result, the
15 force receiving member 70 is rotationally moved from its standby position to its protrusive position by the resiliency (tension) of the tension spring 21.

In the following mathematical expressions, f_3 , f_4 , f_4 , and g stand for the amount of the resiliency of
20 the tension spring 21, amount of the resiliency of the tension spring 22, amount of the force by which the cartridge 50 is pushed (positioned) upon the cartridge positioning portion 101a of the main assembly frame, and self weight of the cartridge 50, respectively. In
25 this embodiment, in order to prevent the releasing member 75 from releasing the force receiving member 70, the relationship among the abovementioned forces is

set as follows: $F3$ is made to be greater than $f4$ ($f3 > f4$). The amount of the upward force, which the cartridge 50 receives as the releasing member 75 is pressed by the releasing member pushing member 102

5 solidly fixed to the main assembly frame, is $f4$, whereas the downward force which the cartridge 50 receives as the releasing member 75 is pressed by the releasing member pushing member 102, equals the sum of $f3$, $f5$, and g , that is, $(f3 + f5 + g)$. Thus, the force

10 receiving member 70, releasing member 75, springs 21, and spring 22 are designed to satisfy the following inequality: $f4 < f3 + f5 + g$. Therefore, it does not occur that the releasing member 75 releases the force receiving member 70 when the cartridge 50 is not in

15 the apparatus main assembly 100, and also, that the cartridge 50 floats from the cartridge positioning portion 101a of the apparatus main assembly 100 after it is properly positioned in the apparatus main assembly 100.

20 In this embodiment, the releasing member 75 is provided with the contact portion 75b as a part of mechanism for releasing the contact portion 70b of the force receiving member 70. However, instead of providing the releasing member 75 with the contact

25 portion 75b, the drum unit 31 or development unit 41 may be provided with a member, such as a contact portion 775b shown in Figures 17 and 18. In the case

of the force receiving member releasing mechanism shown in Figures 17 and 18, the drum unit frame 34 which is one of the structural components of the drum unit 31, or development unit frame 48 which is one of the structural components of the development unit 41, is provided with the contacting portion 775b. In this case, as the cartridge 50 is mounted into the apparatus main assembly 100, the contact portion 775b is pushed by the releasing member pushing member 102 solidly fixed to the apparatus main assembly 100, in the direction indicated by an arrow mark in Figure 18. More specifically, the contact portion 775d receives external force (second external force) from the releasing member pushing member 102. Therefore, the contact portion 775b moves in the direction indicated by an arrow mark H (Figure 18), disengaging thereby from the contact portion 70b of the force receiving member 70. That is, the releasing member 775 is provided with an elastic connective portion 775e, by which the releasing member 775 is attached to the drum unit frame 34 or development unit frame 48. Therefore, as the force receiving portion 775d of the releasing member 75 is pushed by the releasing member pushing member 102, the connective portion 75e is deformed by the force received by the force receiving portion 775d. As a result, the contact portion 775b is moved away from the contact portion 70b of the force receiving

member 70, allowing thereby the contact portion 70b to rotationally move as described above. In this case, the drum unit frame 34 or development unit frame 48 is provided with the releasing portion 775. However, the structural component other than the drum unit frame 34 or development unit frame 48 may be provided with the releasing portion 775. Further, in this embodiment, the releasing member pushing member 102 of the apparatus main assembly 100 is positioned below the corresponding cartridge compartment. However, the releasing member pushing member 102 may be positioned anywhere, as long as the location enables the releasing member pushing member 102 to push the releasing member 75 when the cartridge 50 is in the apparatus main assembly 100. Further, the releasing member pushing member 102 may be in any shape, as long as the shape enables the releasing member pushing member 60 to move the releasing member 70 by coming into contact with the releasing member 70. For example, it may be U-shaped in cross section, instead of being in the form of a projection as it is in this embodiment.

Further, the tension spring 21 may be eliminated by extending the hook portion 70a of the force receiving member 70 so that the hook portion 70a itself can elastically deform and can be directly engaged with the hook portion 48a of the development

unit frame 48, as shown in Figure 16 (16(a) and 16(b)).

Further, referring to Figures 19 and 20, the releasing member 75 may be replaced with a releasing member, such as a releasing member 875 which can be moved by the utilizing the driving force, which the coupling member 67 of the development unit 41 receives from the apparatus main assembly 100. More specifically, the cartridge 50 is provided with a gear 123 having a projection 123a (pin) for pushing the releasing member pushing member 875 in the direction indicated by an arrow mark y4. Further, the releasing member 875 is provided with a contact portion 875e with which the abovementioned projection 123a (pin) comes into contact. Thus, as the gear 123 is rotated in the direction indicated by an arrow mark G by the abovementioned driving force, the projection 123a pushes up the contact portion 875a of the releasing member 875. As a result, the contact portion 875b of the releasing member 875 is disengaged from the contact portion 70b of the force receiving member 70, allowing thereby the force receiving member 70 to rotationally move into its protrusive position. As the projection 123a of the gear 123 is disengaged from the contact portion 875a of the releasing member 875, the releasing member 875 is pushed down (in the direction indicated by arrow mark y5) by the resiliency of the tension spring 22. Thereafter, as long as the driving

force is transmitted to the cartridge 50, the gear 123 continues to rotate, but the projection 123a of the gear 123, and the contact portion 875e of the releasing member 875 do not come into contact with each other.

{Removal of Process Cartridge from Main Assembly of Electrophotographic Image Forming Apparatus}

Next, the operation for removing the cartridge 50 from the apparatus main assembly 100 will be described.

Referring to Figure 24, as the door 12 is rotationally moved from the shut position to the open position, the tray supporting members 14 are moved upward, that is, in the direction (indicated by arrow mark y1) to be moved away from the transfer belt 19 as shown in Figure 24. As a result, each cartridge 50 is moved upward with the cartridge tray 13, causing the photosensitive drum therein to separate from the transfer belt 19.

Further, as the cartridge tray 13 is moved in the direction to be pulled out (direction indicated by arrow mark z1 in Figure 24), the cartridge 50 changes in state from the one shown in Figure 8 to the one shown in Figure 7. That is, the force receiving member 70 stops being kept pressed by the force applying first member 60. When the cartridge 50 is in this state, that is, the state shown in Figure 7, the force receiving member 70 is kept in the protrusive position

by the resiliency of the tension spring 21, as shown in Figures 7 and 14. Referring to Figures 21 and 22, the force receiving member 70 is provided with a contact portion 70c having a slant surface, which is on the opposite side from the lateral surface 70e (Figure 8) by which the force receiving member 70 receives force from the force applying first member 60.

As the tray supporting members 14 are pulled in the direction indicated by the arrow mark z1 (Figure 24), the contact portion 70c comes into contact with the force receiving member returning portion 60zm of the force applying first member 60, which also has a slanted surface. Thus, as the tray supporting members 14 are pulled further, the force receiving member 70, which is in the protrusive position, is pushed down by the force receiving member returning portion 60mz in the direction indicated by an arrow mark K (Figure 22), allowing thereby the force receiving member 70 to move under the rib 60m, allowing thereby the cartridge 50 to be moved outward of the apparatus main assembly 100. Then, the cartridge 50 is moved under the ribs 60c and 60k, and is moved out of the apparatus main assembly 100 through the opening 80.

When the cartridge 50 is mounted again into the image forming apparatus main assembly 100 after being removed therefrom, the force receiving member 70, which is in the protrusive position, can be moved back

into the standby position by pressing down the force receiving member 70. This operation of pressing the force receiving member 70 back into its standby position can be easily carried out by a user, because
5 both the releasing member 75, and the second tension spring 22 connected to the releasing member 75, are elastic.

In the case of the releasing member 875 which must be moved by the abovementioned driving force, the
10 gear 123 must be rotated back into a preset position before the releasing member 875 can be moved back into the standby position. The releasing member 875 can be rotated back to the preset position by manually turning a gear connected to the gear 123, or with the
15 use of a tool (driver or the like).

As described above, the electrophotographic image forming apparatus in this embodiment is structured so that as the door 12 is moved into its shut position after the mounting of the cartridge(s) 50 into the
20 apparatus main assembly, the force receiving member 70, which is for moving the development unit 41, is rotated in the direction to make its contact portion 70c to project outward from the development unit 41.

Therefore, the cartridge 50 in this embodiment is
25 significantly smaller than a cartridge in accordance with the prior art (which hereafter may be referred to simply as conventional cartridge). Further, while the

cartridge 50 is mounted into the apparatus main assembly 100, the force receiving member 70 remains in its standby position. Therefore, the apparatus main assembly 100 in this embodiment can be made significantly smaller in the vertical dimension of the cartridge path than the apparatus main assembly of a conventional electrophotographic image forming apparatus. Therefore, the opening 80 can be made significantly smaller than the corresponding opening of a conventional electrophotographic image forming apparatus. Further, the force applying first member 60 can be positioned significantly closer to the cartridge path than the counterpart of a conventional electrophotographic image forming apparatus. Therefore, the apparatus main assembly 100 can be significantly reduced in its vertical dimension compared to the apparatus main assembly of a conventional electrophotographic image forming apparatus.

Further, before the cartridge 50 is mounted into the apparatus main assembly 100, the force receiving member 70 is in its standby position. Therefore, it is unlikely to be occur that the force receiving portion 70 is damaged while the cartridge 50 is handles by a user or transported alone.

(Embodiment 2)

In the first embodiment, the releasing member 75 is disengaged by the projection 102 (releasing member

pushing member) solidly attached to the main assembly frame. In this embodiment, however, the cartridge is structured so that the releasing member moves by receiving force from the movable force applying second member, with which the apparatus main assembly is provided.

This embodiment also will be described with reference to a cartridge, more specifically, a cartridge 950y, which stores the yellow developer. Incidentally, the description of this embodiment will be centered around the structural features of the electrophotographic image forming apparatus in this embodiment, which are different from those in the first embodiment.

{Cartridge Tray of Main Assembly of Electrophotographic Image Forming Apparatus}

Next, referring to Figures 37 - 39, the operation of the cartridge tray 13 in this embodiment will be described.

In order to make it easier to understand the operation of the cartridge tray 13, the cartridges 50 are not shown in Figures 37 - 39.

The cartridge tray 13 is supported by a pair of tray supporting members 14 in such a manner that the cartridge tray 13 can be pulled out of the apparatus main assembly 100 while remaining supported by the tray supporting members 14. The tray supporting

members 14 are moved by the movement of the door 12 which can be opened or closed by an operator (user). The door 12 is attached to the apparatus main assembly 900 so that it can be rotationally moved about its rotational axis 12a (shaft by which door 12 is held to apparatus main assembly 100). The door 12 is rotationally movable between a position (shut position) in which it completely covers an opening 80, as shown in Figure 27, and a position (open position) in which it fully exposes the opening 80, as shown in Figure 28.

When it is necessary to take out any cartridge or cartridges in the apparatus main assembly 900, the door 12 is to be rotationally moved from the shut position to the open position. As the door 12 is rotationally moved, a pair of projections 15 (connective pins) with which the door 12 is provided moves in the clockwise direction about the rotational axis 12a, while moving in a pair of elongated holes 14c, with which the tray supporting members 14 are provided, one for one, from the bottom end 14c2 of the elongated hole 14c to the top end 14c1 of the elongated hole 14c, as shown in Figure 38. As a result, the tray supporting members 14 are moved by the projections 15 in the direction indicated by an arrow mark z1. As the tray supporting members 14 are moved in the abovementioned direction, the projections 14d1

and 14d2, which project from each of the tray supporting members 14 are guided by the guiding holes 107 with which the apparatus main assembly 900 is provided. Referring to Figure 26, each guiding hole 107 has three sections, that is, two horizontal sections 107a1 and 107a3, and one diagonal section 107a2. The diagonal section 107a2 extends diagonally upward from the horizontal section 107a1 to the horizontal section 17a3. Therefore, as the door 12 is moved to the open position, as shown in Figure 38, the projections 14d1 and 14d2 are guided by the guiding hole 107, sequentially through the horizontal section 107a1, diagonal section 107a2, and horizontal section 107a3. Thus, the tray supporting members 14 are first moved in the direction indicated by the arrow mark z1, and then, are moved in the direction indicated by an arrow mark y1, that is, the direction to move away from the transfer belt 19. With the tray supporting members 14 moved all the way in the direction indicated by the arrow mark y1, the cartridge tray 13 can be pulled out of the apparatus main assembly 900 through the opening 80 in the direction indicated by an arrow mark D2, as shown in Figure 39. Figure 42 is a partially cutaway perspective view of the image forming apparatus after the cartridge tray 13 has been pulled out of the apparatus main assembly 900 to its outermost position.

Next, the case in which any cartridge or cartridges are mounted into the apparatus main assembly 900 will be described. Referring to Figure 39, the cartridge tray 13 is to be pushed into the apparatus main assembly 900 in the direction of the arrow mark D2 through the opening 80, with the door 12 kept in the open position. Thereafter, the door 12 is to be moved into the shut position as shown in Figure 37. As the door 12 is moved, each of the projections 15 of the door 12 moves in the counterclockwise direction about the rotational axis 12a, while moving in the corresponding elongated hole 14c of the tray supporting member 14, to the bottom end 14c2 of the elongated hole 14c, as shown in Figure 37. Thus, the tray supporting member 14 is moved in the direction of an arrow mark z2 by the pair of projections 15. Thus, as the door 12 is moved into the shut position as shown in Figure 37, the projections 14d1 and 14d2 are guided by the guiding hole 107, that is, the horizontal section 107a3, diagonal section 107a2, and horizontal section 107a1, in the listed order. Therefore, the tray supporting members 14 move, first, in the direction of the arrow mark z2, and then, in the direction of the arrow mark y2, that is, the direction to move closer to the transfer belt 19.

{Positioning of Process Cartridge Relative to Main Assembly of Electrophotographic Image Forming

Apparatus}

Next, referring to Figures 31, 35, 36, 41, and 42, the positioning of the cartridge 950 (950y, 950m, 950c, and 950k) in the apparatus main assembly 900 will be
5 described. Referring to Figure 42, the apparatus main assembly 900 is provided with multiple pairs (four pairs in this embodiment) of cartridge positioning portions 901a for positioning a cartridge 950 relative to the apparatus main assembly 900. That is, each
10 cartridge compartment of the cartridge tray 13 is provided with a pair of cartridge positioning portions 901a, which are located at the lengthwise ends of the corresponding compartment, one for one, in terms of the direction parallel to the lengthwise direction of
15 the cartridge 950, in a manner to sandwich the transfer belt 19. Referring to Figures 41(a) and 41(b), the main assembly 900 is also provided with force applying second members 61, which are located above the tray supporting members 14. Each force applying
20 second member 61 is provided with a hole 61d, through which a force applying second member supporting shaft 55, with which the apparatus main assembly 900 is provided, is put to rotatably support the force applying second member 61.

25 At this time, the mechanism for moving the force applying second member 61 by using the movement of the door 12 will be described. The force applying second

member 61 is connected to a connective member 62,
which is for moving the force applying second member
61 by utilizing the movement of the door 12. The
connective member 62 is provided with a hole, in which
5 the supporting shaft 55 is fitted, and a supporting
pin 62b, which fits in an elongated hole 14b (Figure
41(b)) of the tray supporting member 14. Referring to
Figure 41, as the door 12 is moved from the open
position to the shut position, the tray supporting
10 member 14 moves in the direction indicated by the
arrow mark y2 (Figure 41), whereby the supporting pin
62b in the elongated hole 14b is forced to move also
in the direction indicated by the arrow mark y2. As a
result, the connective member 62 is rotationally moved
15 about the supporting pin 62b in the elongated hole 14b
in the direction indicated by an arrow mark Z (Figure
41).

This movement of the connective member 62 which
is in connection to the force applying second member
20 61 causes the pressing portion 62e, with which the
connective member 62 is provided, to press on the
force receiving surface 31a, which is a part of the
top surface of the drum unit frame 34. Therefore, the
cartridge 950y moves in the direction (downward)
25 indicated by the arrow mark y2 in Figure 41(b),
causing the cartridge positioning portion 931b (Figure
7), with which the drum unit 931y is provided, to come

into contact with the cartridge positioning portion 901a with which the apparatus main assembly 900 is provided. As a result, the cartridge 950y is properly positioned relative to the apparatus main assembly 900 (Figure 6).

The other cartridges 950m, 950c, and 950k also are properly positioned relative to the apparatus main assembly 900 in the same manner as the cartridge 950y is positioned as described above.

Referring to Figures 35 and 36, the cartridge 950y is provided with a spring 66, which is between the force applying second member 61 and connective member 62. The spring 66 is supported by the supporting shaft 55, and is in contact with the pressing portion 62e of the connective member 62, and the projection 61e of the force applying second member 62. Incidentally, the apparatus main assembly 900 may be structured so that this spring 66 directly presses on the force receiving surface of the drum unit frame.

{Operation of Force Applying Member}

Next, referring to Figures 43 and 44, the operation of the force applying first member 60 will be described.

Driving force is transmitted from a motor 110, which is a mechanical driving force source with which the apparatus main assembly 900 is provided, to the gear 112 through a gear 111, as it is in the first

embodiment. As the driving force is transmitted to the gear 112, the gear 112 rotates in the direction indicated by an arrow mark L, rotating thereby the cam portion 112a, which is integral with the gear 112, also in the direction indicated by the arrow mark L direction. The cam portion 112a is in contact with the moving force receiving portion 60b, with which the force applying first member 60 is provided. Therefore, as the cam portion 112a rotates, the force applying first member 60 is moved in the direction indicated by an arrow mark E or B.

Figure 43 shows the case in which the force applying first member 60 has been moved furthest in the direction indicated by the arrow mark E. In this case, the development roller 42 and photosensitive drum 30 is still in contact with each other (Figure 33). Figure 44 shows the case in which the force applying first member 60 has been moved furthest in the direction indicated by the arrow mark B. In this case, the force receiving member 70 is under the pressure from the rib 60y. As the force receiving member 70 is pressed by the rib 60y, it causes the development unit 941 to rotationally move about the rotational axis 946b (axle), causing thereby the development roller 42 to separate from the photosensitive drum 30 (Figure 34). This position of the development unit 41 will be referred to as

"separative position".

While the cartridge 950 is moved into the apparatus main assembly 900, the force receiving member 970 remains in its standby position (Figure 31).
5 Therefore, the force applying first member 60 and force applying second member 61 can be positioned significantly closer to the cartridge path, without allowing them to interfere with the cartridge 50 during the mounting of the cartridge 50, compared to
10 the counterparts of a conventional image forming apparatus, making it possible to minimize wasted space, making it thereby possible to significantly reduce the apparatus main assembly 900 in vertical dimension.
{Description of Mounting of Process Cartridge into
15 Main Assembly of Electrophotographic Image Forming Apparatus, and Operation of Force Receiving Apparatus}

Next, the operational sequence from the beginning of the mounting of the cartridge(s) 950 into the apparatus main assembly 900, to the separation of the
20 development roller 42 from the photosensitive drum 30, will be described.

Referring to Figure 40, it is after the cartridge tray 13 is pulled out of the apparatus main assembly 900 to its outermost position that each cartridge 950
25 can be mounted into, or removed from, the cartridge tray 13 in the vertical direction indicated by the arrow mark C.

After the mounting of the cartridge(s) 950 into the cartridge tray 13, the cartridge tray 13 is to be moved into the apparatus main assembly 900 in the direction indicated by the arrow D1, through the opening 80. That is, in this embodiment, each cartridge 950 is horizontally moved into the apparatus main assembly 900, from the direction which is intersectional (roughly perpendicular) to the axial line of the photosensitive drum 30.

Referring to Figure 40, the cartridge 950y is mounted most downstream in the cartridge tray 13 in terms of the direction in which the cartridge tray 13 is moved into the apparatus main assembly 900. That is, as the cartridge tray 13 is pushed into the apparatus main assembly 900, the cartridge 950y moves below the force applying second members 61k, 61c, and 61m (Figure 39) which are to act on the other cartridges, that is, cartridge 950m, 960c, and 950k, respectively, and also, below the ribs 60k, 60c, and 60m of the force applying first member 60, from upstream to downstream.

Also in terms of the direction in which the cartridge tray 13 is moved into the apparatus main assembly 900, the cartridge 950m is mounted second from the downstream end of the cartridge tray 13. Thus, as the cartridge tray 13 is pushed into the apparatus main assembly 900, the cartridge 950m moves below the

force applying second members 61k, and 61c (Figure 39) which are to act on the other cartridges, that is, cartridge 950c and 950k, respectively, and also, below the ribs 60k and 60c of the force applying first member 60 from upstream to downstream.

Also in terms of the direction in which the cartridge tray 13 is moved into the apparatus main assembly 900, the cartridge 950c moves below the force applying second members 61k (Figure 39) which is to acts on the 950k, and also, below the rib 60k of the force applying first member 60 from upstream to downstream.

Moreover, in terms of the direction in which the cartridge tray 13 is into the apparatus main assembly 900, the cartridge 950k is mounted most upstream. Thus, as the cartridge tray 13 is mounted into the apparatus main assembly 900, the cartridge 950k is moved far enough into the apparatus main assembly 900 for the force receiving member 970 to move below the force applying first member 61k, which is to acts on the cartridge 950k, from upstream to downstream.

Regarding this upstream to downstream movement of the force receiving member 970 below the force applying second member 61, the other cartridges, that is, the cartridges 950y, 950m, and 950c, are the same as the cartridge 950k.

That is, if the cartridge 950 were designed so

that its force receiving member 970 remains projecting while the cartridge 950 is moved into the apparatus main assembly 900, the force applying second member 61 and force applying first member 60 would have to be positioned higher than where they are in this embodiment, in order to prevent the force receiving member 970 from interfering with the force applying second member 61 and force applying first member 60. In this embodiment, however, the cartridge 950 is designed so that the force receiving member 970 is kept in its standby position, that is, the position in which it does not project, the force applying second member 61 and force applying first member 60 can be positioned closer to the cartridge path, because the distance by which the force receiving member 970 projects does not need to be taken into consideration. In other words, designing the cartridge 950 so that its force receiving member 970 remains in its standby position while the cartridge 950 is mounted into the apparatus main assembly 900 makes it possible to reduce the apparatus main assembly 900 in its vertical dimension. Further, referring to Figures 31 and 32, in this embodiment, the force receiving member 970, force applying second member 61, and force applying first member 60 overlap in terms of the direction parallel to the axial line of the photosensitive drum 30, significantly reducing the cartridge 950 in dimension

in terms of the direction perpendicular to its lengthwise direction.

Further, referring to Figures 31, 32, 35, and 36, the pressing portion 61e of the force applying second member 61 comes into contact with the contact portion 975b (Figures 32 and 36), and presses the contact portion 975b, when the contact portion 975b is in the first position (Figure 31 and 35). That is, it is when the contact portion 975b is in the first position that the contact portion 975b receives external force (second external force). As the pressing portion 61e presses on the contact portion 975b, the releasing member 975 is disengaged from the force receiving member 970, and the releasing member 975 moves to the second position (Figures 32 and 36). The force applying second member 61 in this embodiment is equivalent to the releasing member pushing member 102 in the first embodiment.

As the releasing member 975 is disengaged from the force receiving member 970, the force receiving member 970 rotates about the force receiving member supporting shaft, moving out of its standby position, that is, in such a manner that the contact portion 70b of the force receiving member 70 projects from the development unit 941, that is, in the direction to cause the contact portion 70b to move away from the rotational axis 946b of the development unit 41

(active position). The image forming operation which occurs thereafter is the same as that in the first embodiment, and therefore, will not be described here.

Next, the operation for removing the cartridges
5 950 from the apparatus main assembly 900 will be described.

As the door 12 is moved from the shut position to the open position, the force applying second member 61 rotates from the position shown in Figures 32 and 36
10 to the position shown in Figures 31 and 35. With this movement of the force applying second member 61, the pressure having been kept on the releasing member 975 by the force applying second member 61 is removed. However, the force receiving member 970 is kept in the
15 protrusive position by the resiliency of the spring 921, as shown in Figure 33. Referring to Figure 36, the force receiving member 970 is provided with a contact portion 970c having a slant surface which is located opposite from the lateral surface by which the
20 force receiving member 970 receives force from the force applying first member 60. Thus, as the cartridge tray 13 is pulled out in the direction indicated by the arrow mark D2 in Figure 39, the force receiving member 970, which is in the protrusive position as is
25 the force receiving member 70 in the first embodiment, comes into contact with the force receiving member returning member 60zm, 60zcy, and 60zk, with which the

force applying first member 60, and is pushed down, being allowed to pass by the ribs 60m, 60c, and 60k, enabling thereby the cartridge 950y to be moved out of the apparatus main assembly 900 through the opening 80.

5 As described above, the cartridge 950 is structured so that it is when the door 12 is moved to the shut position after the cartridges 950 are mounted into the apparatus main assembly 900, that the contact portion 970b of the force receiving member 970 for
10 moving the development unit 941 projects outward from the development unit 941. Therefore, the cartridge 950 is significantly smaller in vertical dimension than a conventional cartridge. Further, when the cartridge 950 is mounted into the apparatus main assembly 900,
15 the force receiving member 970 remains in the standby position. Therefore, the cartridge path in the apparatus main assembly 900 can be less in vertical dimension than the cartridge path of the main assembly of a conventional electrophotographic image forming
20 apparatus, and so is the opening 80 than the opening of the apparatus main assembly of a conventional electrophotographic image forming apparatus. Further, the force applying first member 60 can be positioned closer to the cartridge path, making it possible to
25 reduce the apparatus main assembly 900 in vertical dimension.

Further, when the cartridge 950 is outside the

apparatus main assembly 900, the force receiving member 970 remains in the standby position. Therefore, the force receiving member 970 is unlikely to be damaged while the cartridge 950 is handled by a user, or is transported alone.

[INDUSTRIAL APPLICABILITY]

According to the present invention, it is possible to reduce in size a process cartridge, the electrophotographic photosensitive drum and development roller of which can be placed in contact with each other, or separated from each other, and also, to reduce in size an electrophotographic image forming apparatus which employs the above described process cartridge. Further, it is possible to structure the above described process cartridge so that when the cartridge is transported alone, its force receiving member for separating the development roller from the electrophotographic photosensitive drum is unlikely to be damaged.

CLAIMS

1. A process cartridge detachably mountable to a main assembly of an electrophotographic image forming apparatus, comprising:

an electrophotographic photosensitive drum;

a developing roller for developing an electrostatic latent image formed on said electrophotographic photosensitive drum;

a drum frame supporting said electrophotographic photosensitive drum;

a developing frame supporting said developing roller, said developing roller being movable relative to said drum frame between a contacting position in which said developing roller is in contact with said electrophotographic photosensitive drum and a spacing position in which said developing roller is spaced from said electrophotographic photosensitive drum;

a force receiving member, provided movably relative to said developing frame, for receiving an external force, wherein said force receiving member is capable of taking an operating position for moving said developing frame from the contacting position to the spacing position by receiving the external force, and a stand-by position retracted from the operating position;

an urging portion for urging said force receiving member from the stand-by position toward the operating position; and

an engaging portion for engaging with said force receiving member to hold said force receiving member in the

stand-by position against an urging force of said urging portion.

2. A process cartridge according to Claim 1, wherein said engaging portion is disengaged from said force receiving member by receiving a second external force.

3. A process cartridge according to Claim 2, wherein said engaging portion is provided on said developing frame.

4. A process cartridge according to Claim 2, wherein said engaging portion is provided on said drum frame.

5. A process cartridge according to Claim 2, further comprising a releasing member movable by a second external force to release engagement between said engaging portion and said force receiving member.

6. A process cartridge according to Claim 5, wherein said engaging portion is integral with said releasing member.

7. A process cartridge according to Claim 6, wherein said releasing member is provided movably on said developing frame.

8. A process cartridge according to Claim 1, further comprising a gear for receiving a driving force from the main assembly of the apparatus to rotate, by which said engaging portion is moved to disengage from said force receiving member, when said process cartridge is mounted to said main assembly of the apparatus.

9. A process cartridge according to Claim 1, wherein engaging portion is urged in a direction for engagement with said force receiving member to hold said force receiving member in the standby position.

5 10. A process cartridge according to Claim 1, wherein said force receiving member receives the external force from a force applying member provided movably in the main assembly of the apparatus when said process cartridge is mounted to the main assembly of the
10 apparatus.

11. A process cartridge according to Claim 2, wherein said engaging portion contacts to the main assembly of the apparatus and receives the second external force when said process cartridge is mounted to the main assembly
15 of the apparatus.

12. A process cartridge according to Claim 5, wherein said releasing member contacts to the main assembly of the apparatus to receive the second external force when said process cartridge is mounted to the main assembly of
20 the apparatus.

13. A process cartridge according to Claim 10, wherein said force receiving member is provided with a contact portion for contacting to the main assembly of the apparatus to move said force receiving member from the
25 operating position toward the stand-by position.

14. A process cartridge according to Claim 13, wherein said contact portion is disposed in a side opposite a side of receiving the force from the force applying

portion with respect to a mounting direction in which said process cartridge is mounted to the main assembly of the apparatus.

15. A process cartridge according to Claim 1,
5 wherein said process cartridge is detachably mountable to said main assembly of the apparatus through an opening provided in the main assembly of the electrophotographic image forming apparatus in a substantially horizontal direction crossing with an axial direction of said
10 electrophotographic photosensitive drum.

16. A process cartridge according to Claim 1,
wherein the main assembly of the apparatus includes a drawer member movable between an inside mounting position and a retracted position in which said process cartridge is
15 mountable thereon.

17. A process cartridge according to Claim 1,
wherein said force receiving member permits, in the stand-by position, said process cartridge to enter the main assembly of the apparatus, and is moved to the
20 operating position from the stand-by position when said process cartridge is mounted to the main assembly of the apparatus.

18. A process cartridge according to Claim 1,
wherein said drum frame and said developing frame rotatable
25 relative to each other about a rotation axis, and said force receiving member is more remote from the rotation axis in the operating position than in the stand-by position.

19. A process cartridge according to Claim 1, wherein said drum frame supports rotatably said photosensitive drum by way of a covering member.

5 20. A process cartridge according to Claim 1, wherein said developing frame supports rotatably said developing roller by way of a bearing.

21. An electrophotographic image forming apparatus for forming an image on a recording material, said apparatus comprising:

10 (i) a main assembly that includes a movable force member;

(ii) a process cartridge detachably mounted to said main assembly, said process cartridge including,

15 an electrophotographic photosensitive drum, a developing roller for developing an electrostatic latent image formed on said electrophotographic photosensitive drum,

a drum frame supporting said electrophotographic photosensitive drum,

20 a developing frame supporting said developing roller, said developing roller being movable relative to said drum frame between a contacting position in which said developing roller is in contact with said electrophotographic photosensitive drum and a spacing
25 position in which said developing roller is spaced from said electrophotographic photosensitive drum,

a force receiving member, provided movably relative to said developing frame, for receiving an external force when the force applying member moves, wherein said force
30 receiving member is capable of taking an operating position

for moving said developing frame from the contacting position to the spacing position by receiving the external force, and a standby position retracted from the operating position,

5 an urging portion for urging said force receiving member from the standby position toward the operating position, and

10 an engaging portion for engaging with said force receiving member to hold said force receiving member in the stand-by position against an urging force of said urging portion, and

(iii) feeding means for feeding the recording material.

15 22. An apparatus according to Claim 21, further comprising a gear for receiving a driving force from the main assembly of the apparatus to rotate, when said process cartridge is mounted to the main assembly of the apparatus of said electrophotographic image forming apparatus, by which said engaging portion is moved to disengage from said 20 force receiving member, when said process cartridge is mounted to said main assembly of the apparatus.

25 23. An apparatus according to Claim 21, wherein said engaging portion contacts to the main assembly of the apparatus to receive a second external force, by which said engaging portion is moved to disengage from said force receiving member.

24. An apparatus according to Claim 21, further comprising a releasing member for contacting to the main assembly of the apparatus to receive a second external

force, thus releasing engagement between said engaging portion and said force receiving member, when said process cartridge is mounted to the main assembly of the apparatus of said electrophotographic image forming apparatus.

5 25. An apparatus according to Claim 21, wherein
said force receiving member is provided with a contact
portion for contacting the main assembly of the apparatus
to move said force receiving member from said operating
position toward said stand-by position, when said process
10 cartridge is dismounted from the main assembly of the
apparatus of said electrophotographic image forming
apparatus.

15 26. An apparatus according to Claim 25, wherein
said contact portion is disposed in a side opposite a side
of receiving the force from the force applying portion with
respect to a mounting direction in which said process
cartridge is mounted to the main assembly of the apparatus.

20 27. An apparatus according to Claim 21, wherein
said process cartridge is detachably mountable to said main
assembly of the apparatus through an opening provided in
the main assembly of the electrophotographic image forming
apparatus in a substantially horizontal direction crossing
with an axial direction of said electrophotographic
photosensitive drum.

25 28. An apparatus according to Claim 21, wherein the
main assembly of the apparatus includes a drawer member
movable between an inside mounting position and a retracted
position in which said process cartridge is mountable
thereon.

29. An apparatus according to Claim 21 wherein said force receiving member permits said process cartridge to enter the main assembly of the apparatus of said electrophotographic image forming apparatus in the stand-by position, and said force receiving member moves from the stand-by position to the operating position when said process cartridge is mounted to the main assembly of the apparatus of said electrophotographic image forming apparatus.

30. A process cartridge comprising:
a photosensitive drum;
a developing roller contactable to the photosensitive drum to develop an electrostatic latent image formed on the photosensitive drum;
a drum frame configured to support the photosensitive drum;
a developing frame configured to support the developing roller,
a force receiving member having a spacing force receiving portion and movable relative to the developing frame so that the spacing force receiving portion is movable between a first position and a second position retracted from the first position toward an inside of the developing frame, the spacing force receiving portion being capable of receiving a spacing force to space the developing roller from the photosensitive drum when taking the first position; and
an urging member connected to the developing frame and configured to urge the force receiving member so that

the spacing force receiving portion takes the first position.

31. A process cartridge according to Claim 30, wherein the urging member is capable of moving the spacing force receiving portion from the second position to the first position by an urging force of the urging member.

32. A process cartridge according to Claim 31, wherein the urging member has one end portion which is connected to the developing frame and another end portion which is connected to the force receiving member.

33. A process cartridge according to Claim 32, wherein the force receiving member has a connecting portion which is connected with the another end portion of the urging member, and

wherein the spacing force receiving portion is located at one end portion of the force receiving member and the connecting portion is located at another end portion of the force receiving member.

34. A process cartridge according to Claim 33, wherein the urging member is a spring.

35. A process cartridge according to Claim 30, wherein the urging member has one end portion which is connected to the developing frame and another end portion which is connected to the force receiving member.

36. A process cartridge according to Claim 35, wherein the urging member is a spring.

37. A process cartridge according to Claim 30, wherein the urging member is a spring.

38. A process cartridge comprising;

a photosensitive drum;

5 a developing roller contactable to the photosensitive drum to develop an electrostatic latent image formed on the photosensitive drum;

a drum frame configured to support the photosensitive drum;

10 a developing frame configured to support the developing roller,

a force receiving member having a spacing force receiving portion and movable relative to the developing frame so that the spacing force receiving portion is
15 movable between a first position and a second position retracted from the first position toward an inside of the developing frame, the spacing force receiving portion being capable of receiving a spacing force to space the developing roller from the photosensitive drum when taking
20 the first position; and

a spring connected to the developing frame and the force receiving member and capable of moving the spacing force receiving portion from the second position to the first position by a force of the spring.

25 39. A process cartridge according to Claim 38, wherein the spring has one end portion which is connected to the developing frame and another end portion which is connected to the force receiving member.

40. A process cartridge according to Claim 39, wherein the force receiving member has a connecting portion which is connected with the another end portion of the spring, and

5 wherein the spacing force receiving portion is located at one end portion of the force receiving member and the connecting portion is located at another end portion of the force receiving member.

10 41. A process cartridge according to Claim 40, wherein the spring is configured to urge the force receiving member by the force so that the spacing force receiving portion takes the first position.

42. A process cartridge comprising:

a photosensitive drum;

15 a developing roller configured to develop an electrostatic latent image formed on the photosensitive drum;

a drum frame configured to support the photosensitive drum;

20 a developing frame configured to support the developing roller, the developing frame being rotatable about a rotational axis relative to the drum frame to move between a contacting position in which the developing roller is in contact with the photosensitive drum and a
25 spacing position in which the developing roller is spaced from the photosensitive drum;

a force receiving member having a spacing force receiving portion, the spacing force receiving portion being movable between a first position and a second
30 position closer to the rotational axis than the first

position and being capable of receiving a spacing force to move the developing frame from the contacting position to the spacing position when taking the first position; and
an urging member connected to the developing frame
5 and configured to urge the force receiving member so that said spacing force receiving portion takes the first position.

43. A process cartridge according to Claim 42,
wherein the urging member is capable of moving the spacing
10 force receiving portion from the second position to the first position by an urging force of the urging member.

44. A process cartridge according to Claim 43,
wherein the urging member has one end portion which is
connected to the developing frame and another end portion
15 which is connected to the force receiving member.

45. A process cartridge according to Claim 44,
wherein the force receiving member has a connecting portion
which is connected with the another end portion of the
urging member, and
20 wherein the spacing force receiving portion is located at one end portion of the force receiving member and the connecting portion is located at another end portion of the force receiving member.

46. A process cartridge according to Claim 45,
25 wherein the urging member is a spring.

47. A process cartridge according to Claim 42,
wherein the urging member has one end portion which is

connected to the developing frame and another end portion which is connected to the force receiving member.

48. A process cartridge according to Claim 47, wherein the urging member is a spring.

5 49. A process cartridge according to Claim 42, wherein the urging member is a spring.

50. A process cartridge comprising:
a photosensitive drum;
a developing roller configured to develop an
10 electrostatic latent image formed on the photosensitive drum;
a drum frame configured to support the photosensitive drum;
a developing frame configured to support the
15 developing roller, the developing frame being rotatable about a rotational axis relative to the drum frame to move between a contacting position in which the developing roller is in contact with the photosensitive drum and a spacing position in which the developing roller is spaced
20 from the photosensitive drum;
a force receiving member having a spacing force receiving portion, the spacing force receiving portion being movable between a first position and a second position closer to the rotational axis than the first
25 position and being capable of receiving a spacing force to move the developing frame from the contacting position to the spacing position when taking the first position; and
a spring connected to the developing frame and the force receiving member and capable of moving the spacing

force receiving portion from the second position to the first position by a force of the spring.

51. A process cartridge according to Claim 50, wherein the spring has one end portion which is connected to the developing frame and another end portion which is connected to the force receiving member.

52. A process cartridge according to Claim 51, wherein the force receiving member has a connecting portion which is connected with the another end portion of the spring, and

wherein the spacing force receiving portion is located at one end portion of the force receiving member and the connecting portion is located at another end portion of the force receiving member.

53. A process cartridge according to Claim 52, wherein the spring is configured to urge the force receiving member by the force so that the spacing force receiving portion takes the first position.

54. An image forming apparatus comprising:
a process cartridge according to any one of Claims 30 to 53; and

a main assembly in which the process cartridge is detachably mountable, the main assembly having a spacing force applying member for applying the spacing force to the spacing force receiving portion.

55. An image forming apparatus comprising:
a process cartridge according to any one of Claims 30 to 37 and 42 to 49; and

a main assembly in which the process cartridge is detachably mountable, the main assembly having a spacing force applying member for applying the spacing force to the spacing force receiving portion, the spacing force applying member being movable between a third position in which the spacing force applying member is in contact with the force receiving member and a fourth position in which the spacing force applying member is not in contact with the force receiving member,

10 wherein (i) the spacing force applying member prevents the spacing force receiving portion from moving to the first position in a state that the force receiving member is in contact with the spacing force applying member taking the third position, and (ii) then the spacing force
15 applying member moves from the third position to the fourth position so that the spacing force receiving portion moves to the first position by the urging member, and (iii) the spacing force applying member moves from the fourth
20 position to the third position to apply the spacing force to the spacing force receiving portion taking the first position.

56. An image forming apparatus comprising:

a process cartridge according to any one of Claims 38 to 41 and 50 to 53; and

25 a main assembly in which the process cartridge is detachably mountable, the main assembly having a spacing force applying member for applying the spacing force to the spacing force receiving portion, the spacing force applying member being movable between a third position in
30 which the spacing force applying member is in contact with

the force receiving member and a fourth position in which the spacing force applying member is not in contact with the force receiving member,

5 wherein (i) the spacing force applying member prevents the spacing force receiving portion from moving to the first position in a state that the force receiving member is in contact with the spacing force applying member taking the third position, and (ii) then the spacing force applying member moves from the third position to the fourth
10 position so that the spacing force receiving portion moves to the first position by the spring, and (iii) the spacing force applying member moves from the fourth position to the third position to apply the spacing force to the spacing force receiving portion taking the first position.

15 57. A process cartridge which is mountable to and dismountable from a main assembly of an electrophotographic image forming apparatus having a spacing force applying member and a retracting force applying member, said process cartridge comprising:

- 20 (1) an electrophotographic photosensitive drum;
(2) a developing roller movable between a contact position in which said developing roller is in contact with said electrophotographic photosensitive drum to develop an electrostatic latent image formed on said
25 electrophotographic photosensitive drum and a spacing position in which said developing roller is spaced from said electrophotographic photosensitive drum;
- (3) a drum frame supporting said electrophotographic photosensitive drum;

(4) a developing frame supporting said developing roller; and

(5) a projectable member movable relative to said developing frame to move between a projected position in which said projectable member is projected outwardly from said developing frame and a retracted position in which said projectable member is retracted from the projected position toward an inside of the developing frame, said projectable member including,

(5-1) a spacing force receiving portion for receiving, from the spacing force applying member, a spacing force for moving said developing roller from the contact position to the spacing position in a state that said process cartridge is mounted to the main assembly and said projectable member is in the projected position, and

(5-2) a retracting force receiving portion for receiving, from the retracting force applying member, a retracting force for moving said projectable member toward the retracted position, when dismounting said process cartridge in the state that said projectable member is in the projected position.

58. A process cartridge according to Claim 57, wherein said process cartridge is capable of passing through an opening provided at the main assembly in an entering direction to enter the main assembly, and

wherein said spacing force receiving portion is a downstream side portion of said projectable member with respect to the entering direction, and said retracting force receiving portion is an upstream side portion of said projectable member with respect to the entering direction.

59. A process cartridge according to Claim 57 or 58, wherein said projectable member is provided at said developing frame.

60. A process cartridge according to any one of
5 claims 57 to 59, further comprising:

an urging portion for urging said projectable member toward the projected position; and

an engaging portion movable between an engagement position where it is engaged with said projectable member to
10 position said projectable member in the retracted position against an urging force of said urging portion, and a release position where it is released from said projectable member to project said projectable member.

61. A process cartridge according to Claim 60,
15 wherein said engaging portion is provided on said developing frame.

62. A process cartridge according to Claim 60, wherein said engaging portion is provided on said drum frame.

20 63. A process cartridge according to Claim 60, wherein said engaging portion is disengaged from said projectable member by a releasing force from a releasing portion provided in the main assembly.

25 64. A process cartridge according to Claim 63, further comprising a releasing member for releasing said projectable member from said engaging portion by being moved by the releasing force received from the releasing portion provided in the main assembly.

65. A process cartridge according to Claim 64, wherein said engaging portion and said releasing member are integral with each other.

5 66. A process cartridge according to Claim 64, wherein said releasing member is movably provided on said developing frame.

67. A process cartridge according to Claim 64, wherein said releasing member is movably provided on said developing frame.

10 68. A process cartridge according to Claim 60, further comprising a gear for releasing said engaging portion from said projectable member by moving said engaging portion by being rotated by a driving force received from the main assembly in the state that said
15 process cartridge is mounted to the main assembly.

69. A process cartridge according to Claim 60, wherein said engaging portion is urged in a direction of engagement with said projectable member to hold said projectable member in the retracted position.

20 70. A process cartridge according to any one of Claims 57 to 69, wherein said developing frame is rotatable relative to said drum frame about a rotational axis, and said projectable member is projected away the rotational axis when said projectable member moves from the retracted
25 position to the projected position.

71. A process cartridge according to Claim 70, wherein said developing frame is rotatable relative to said drum frame to move said developing roller to the contact

position from the spacing position when said spacing force receiving portion receives the spacing force.

72. An electrophotographic image forming apparatus, comprising:

5 a main assembly having a spacing force applying member and a retracting force applying member; and

a process cartridge which is mountable to and dismountable from said main assembly, said process cartridge having:

10 (1) an electrophotographic photosensitive drum;

(2) a developing roller movable between a contact position in which said developing roller is in contact with said electrophotographic photosensitive drum to develop an electrostatic latent image formed on said

15 electrophotographic photosensitive drum and a spacing position in which said developing roller is spaced from said electrophotographic photosensitive drum;

(3) a drum frame supporting said electrophotographic photosensitive drum;

20 (4) a developing frame supporting said developing roller; and

(5) a projectable member movable relative to said developing frame to move between a projected position in which said projectable member is projected outwardly of from said frame and a retracted position in which said projectable member is retracted from the projected position toward an inside of said developing frame, said projectable member including,

25 (5-1) a spacing force receiving portion for receiving, from said spacing force applying member, a

30

spacing force for moving said developing roller from the contact position to the spacing position in a state that said process cartridge is mounted to said main assembly and said projectable member is in the projected position, and

5 (5-2) a retracting force receiving portion for receiving, from the retracting force applying member, a retracting force for moving said projectable member toward the retracted position, when dismounting said process cartridge in the state that said projectable member is in
10 the projected position.

73. An electrophotographic image forming apparatus according to Claim 72, wherein said process cartridge is capable of passing through an opening provided at said main assembly in an entering direction to enter said main
15 assembly, and

wherein said spacing force receiving portion is a downstream side portion of said projectable member with respect to the entering direction, and said retracting force receiving portion is an upstream side portion of said
20 projectable member with respect to the entering direction.

74. An electrophotographic image forming apparatus according to Claim 72 or 73, wherein said process cartridge further comprises:

25 an urging portion for urging said projectable member toward the projected position; and

an engaging portion movable between an engagement position where it is engaged with said projectable member to position said projectable member in the retracted position against an urging force of said urging portion,

and a release position where it is released from said projectable member to project said projectable member.

75. A process cartridge according to any one of Claims 72 to 74, wherein said force receiving member is provided at said developing frame.

76. A process cartridge detachably mountable to a main assembly of an electrophotographic image forming apparatus having a spacing force applying member and a retracting force applying member, said process cartridge comprising:

(1) an electrophotographic photosensitive drum;

(2) a developing roller movable between a contact position in which said developing roller is in contact with said electrophotographic photosensitive drum to develop an electrostatic latent image formed on said electrophotographic photosensitive drum and a spacing position in which said developing roller is spaced from said electrophotographic photosensitive drum;

(3) a drum frame supporting said electrophotographic photosensitive drum;

(4) a developing frame supporting said developing roller; and

(5) a force receiving member including: (5-1) a spacing force receiving portion movable relative to said developing frame to move between a first position and a second position closer in which said spacing force receiving portion is retracted from the first position toward an inside of said developing frame, said spacing force receiving portion being capable of receiving, from the spacing force applying member, a spacing force for

moving said developing roller from the contact position to the spacing position in a state that said spacing force receiving portion is in the first position; and (5-2) a retracting force receiving portion capable of receiving, from the retracting force applying member, a retracting force for moving said spacing force receiving portion toward the second position in the state that said spacing force receiving portion is in the first position.

77. A process cartridge detachably mountable to a main assembly of an electrophotographic image forming apparatus having a first force applying member and a second force applying member, said process cartridge comprising:

(1) an electrophotographic photosensitive drum;

(2) a developing roller for developing an

electrostatic latent image formed on said

electrophotographic photosensitive drum;

(3) a drum frame supporting said electrophotographic photosensitive drum;

(4) a developing frame supporting said developing roller; said developing frame being rotatable about a rotational axis relative to said drum frame to move between a contact position in which said developing roller is in contact with said photosensitive drum and a spacing position in which said developing roller is spaced from said photosensitive drum; and

(5) a force receiving member including: (5-1) a first force receiving portion movable relative to said developing frame to move between a first position and a second position closer to the rotational axis than the first position, said first force receiving portion being

capable of receiving, from the first force applying member, a first force for moving said developing frame from the contact position to the spacing position in a state that said first force receiving portion is in the first position; and (5-2) a second force receiving portion capable of receiving, from the second force applying member, a second force for moving said first force receiving portion toward the second position in the state that said first force receiving portion is in the first position.

78. A process cartridge according to Claim 76 or 77, wherein said force receiving member is provided at said developing frame.

79. An electrophotographic image forming apparatus, comprising:

a main assembly having a spacing force applying member and a retracting force applying member; and

a process cartridge detachably mountable to said main assembly, said process cartridge including:

(1) an electrophotographic photosensitive drum;

(2) a developing roller movable between a contact position in which said developing roller is in contact with said electrophotographic photosensitive drum to develop an electrostatic latent image formed on said electrophotographic photosensitive drum and a spacing position in which said developing roller is spaced from said electrophotographic photosensitive drum;

(3) a drum frame supporting said electrophotographic photosensitive drum;

(4) a developing frame supporting said developing roller; and

(5) a force receiving member including: (5-1) a spacing force receiving portion movable relative to said developing frame to move between a first position and a second position in which said spacing force receiving portion is retracted from the first position toward an inside of said developing frame, said spacing force receiving portion being capable of receiving, from said spacing force applying member, a spacing force for moving said developing roller from the contact position to the spacing position in a state that said spacing force receiving portion is in the first position; and (5-2) a retracting force receiving portion capable of receiving, from said retracting force applying member, a retracting force for moving said spacing force receiving portion toward the second position in the state that said spacing force receiving portion is in the first position.

80. An electrophotographic image forming apparatus, comprising:

a main assembly having a spacing force applying member and a retracting force applying member; and

a process cartridge detachably mountable to said main assembly, said process cartridge including:

(1) an electrophotographic photosensitive drum;

(2) a developing roller for developing an electrostatic latent image formed on said electrophotographic photosensitive drum;

(3) a drum frame supporting said electrophotographic photosensitive drum;

(4) a developing frame supporting said developing roller, said developing frame being rotatable about a rotational axis relative to said drum frame to move between a contact position in which said developing roller is in contact with said photosensitive drum and a spacing position in which said developing roller is spaced from said photosensitive drum; and

(5) a force receiving member including: (5-1) a first force receiving portion movable relative to said developing frame to move between a first position and a second position closer to the rotational axis than the first position, said first force receiving portion being capable of receiving, from said first force applying member, a first force for moving said developing frame from the contact position to the spacing position in a state that said first force receiving portion is in the first position; and (5-2) a second force receiving portion capable of receiving, from said second force applying member, a second force for moving said first force receiving portion toward the second position in the state that said first force receiving portion is in the first position.

81. An electrophotographic image forming apparatus according to Claim 79 or 80, wherein said force receiving member is provided at said developing frame.

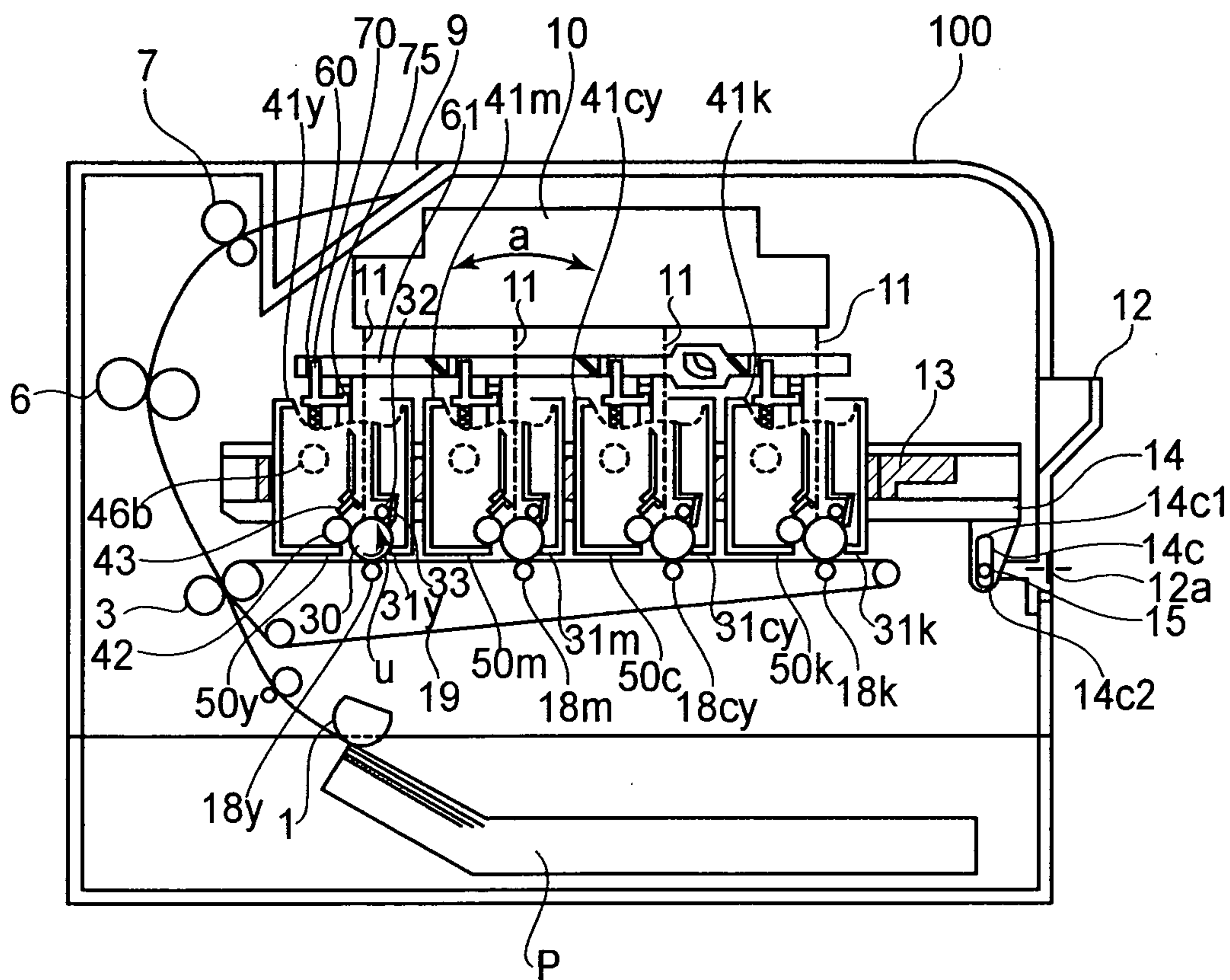


FIG. 1

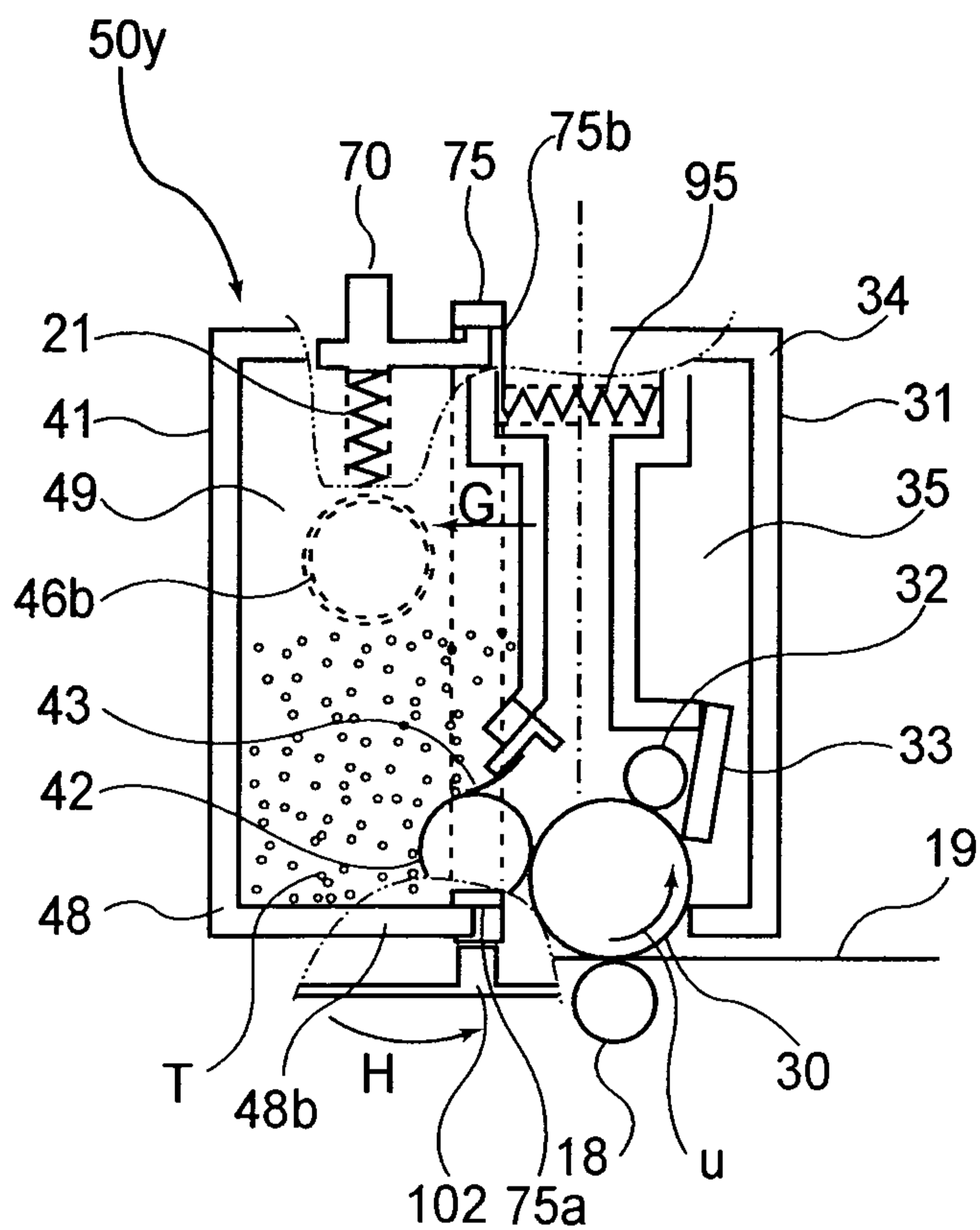


FIG. 2

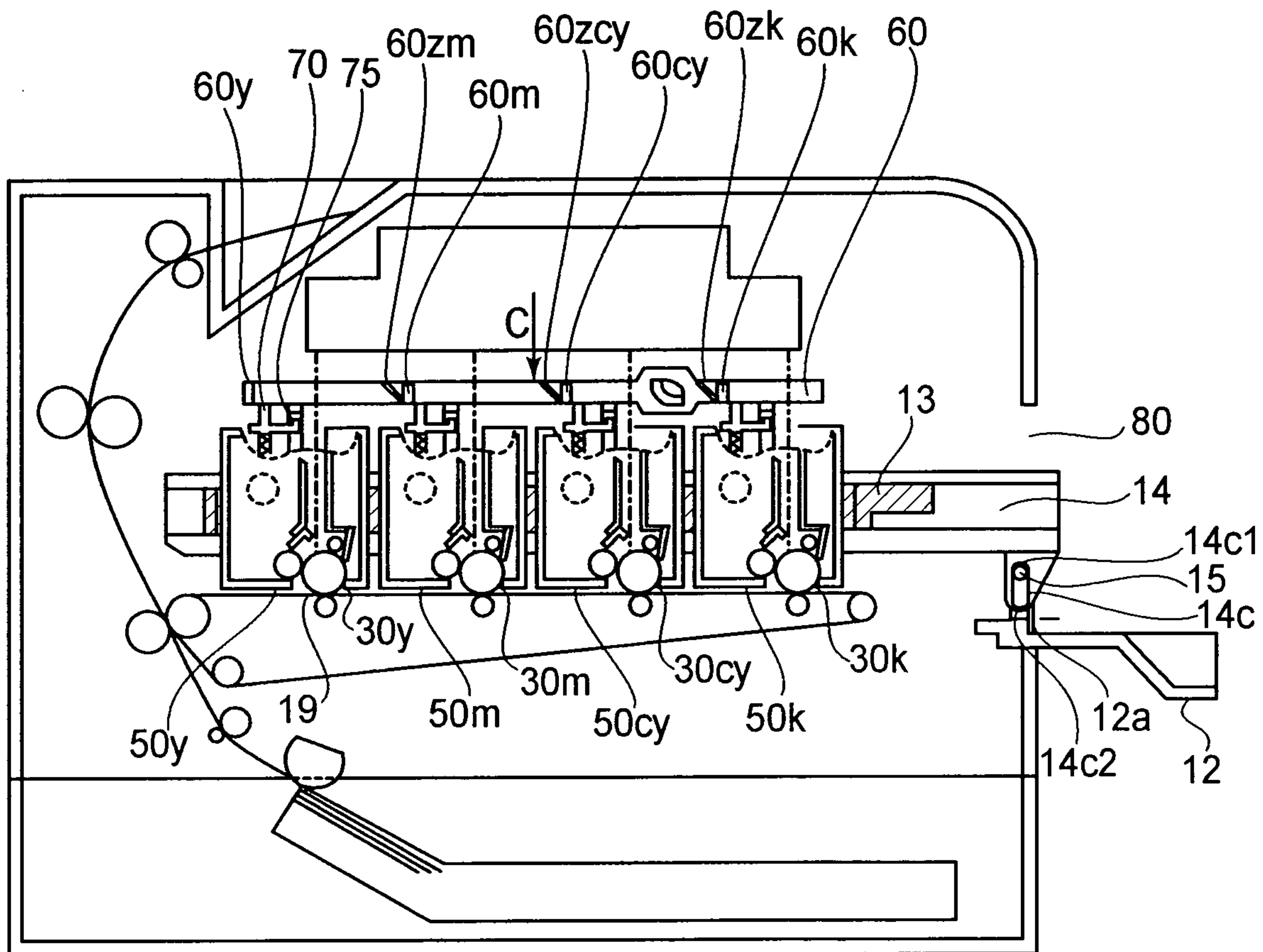


FIG. 3

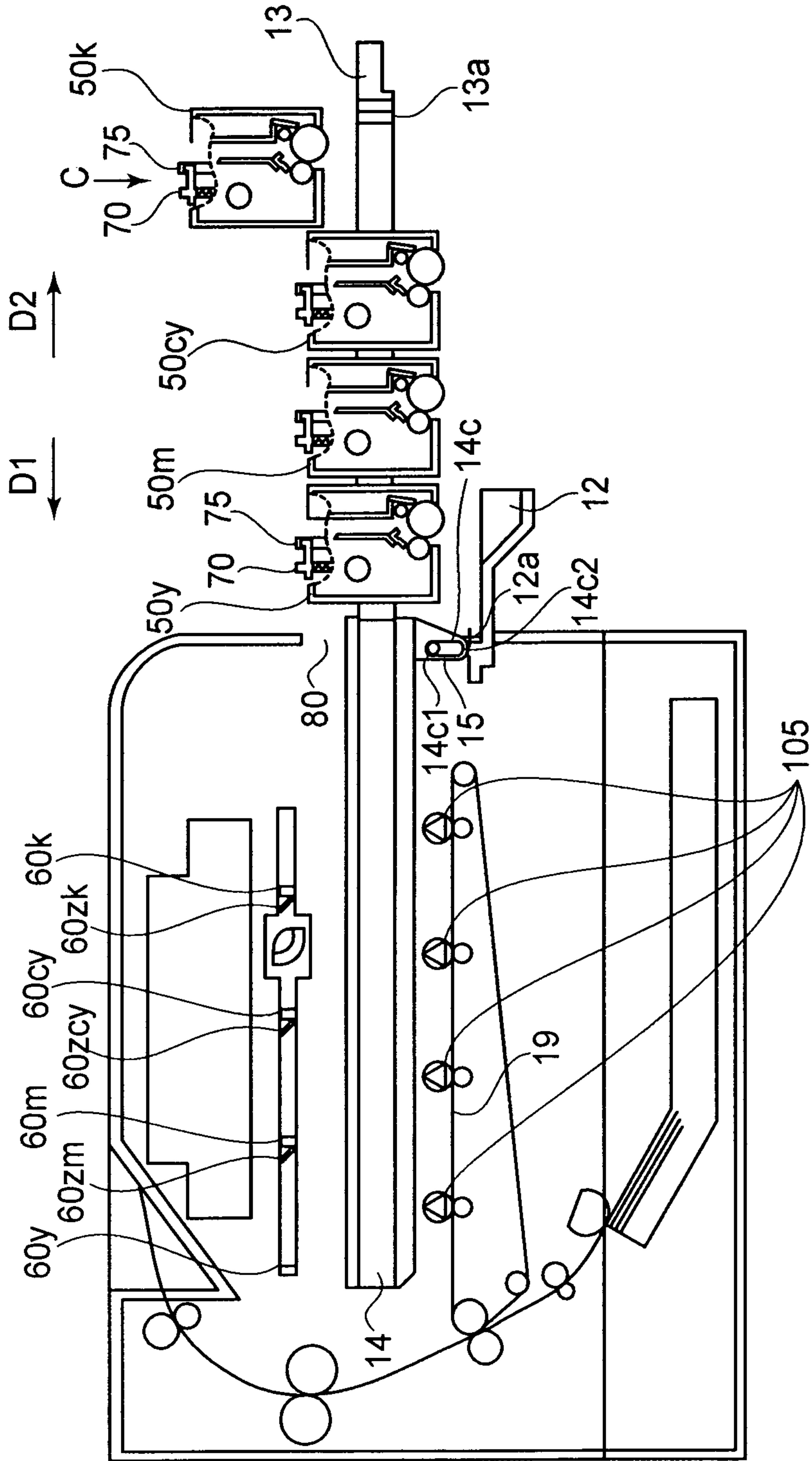


FIG. 4

5/34

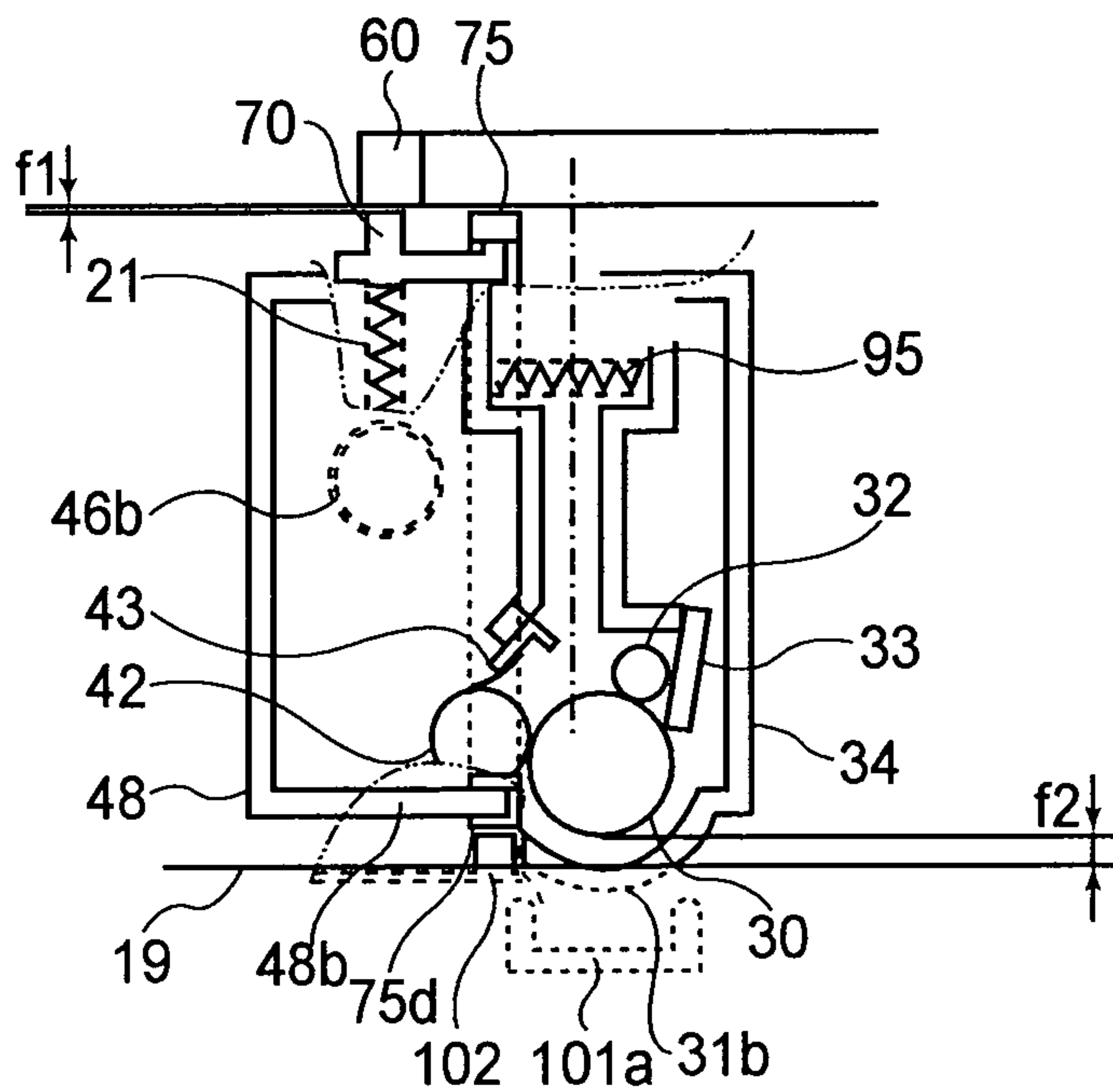


FIG. 5

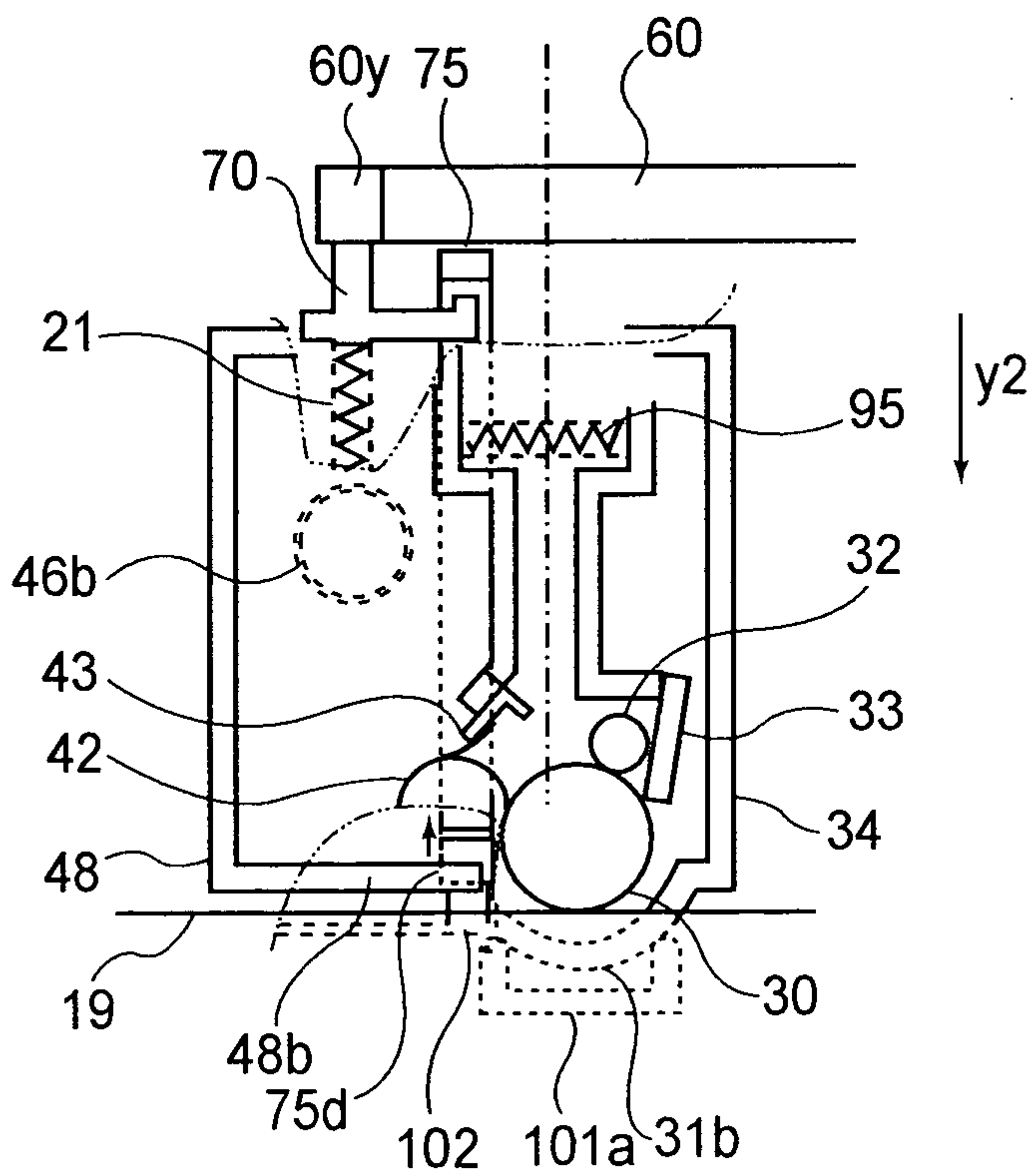


FIG. 6

6/34

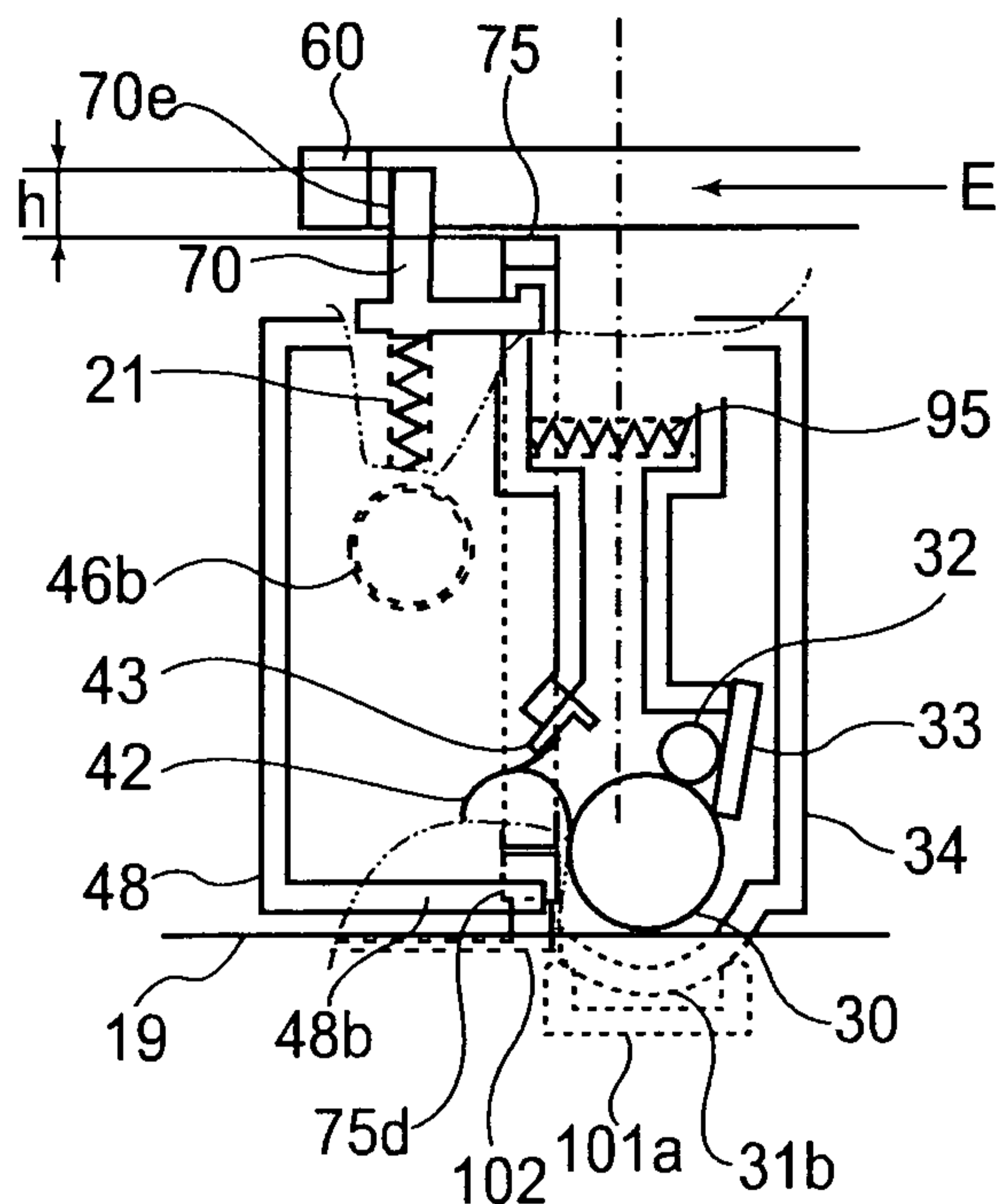


FIG. 7

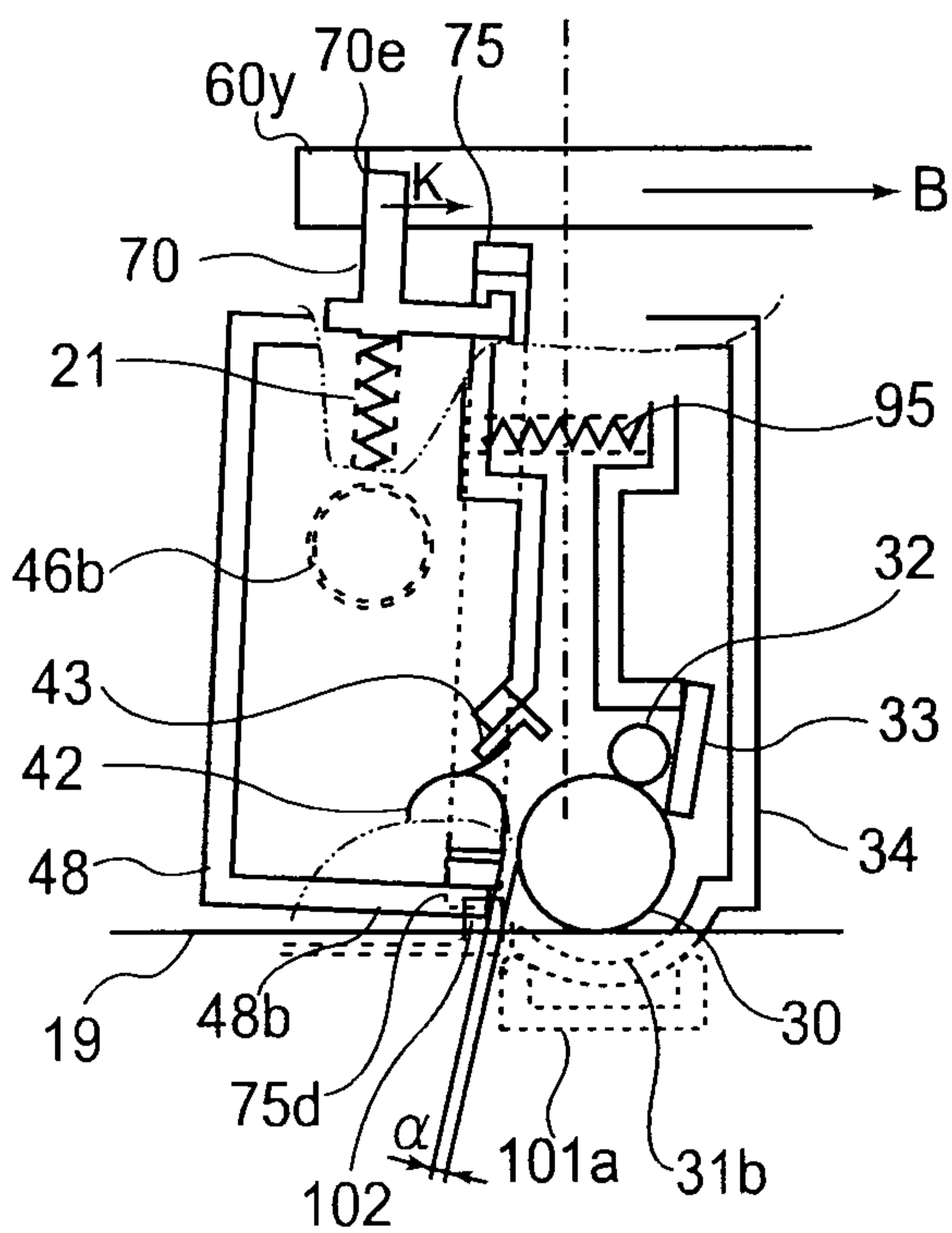


FIG. 8

7/34

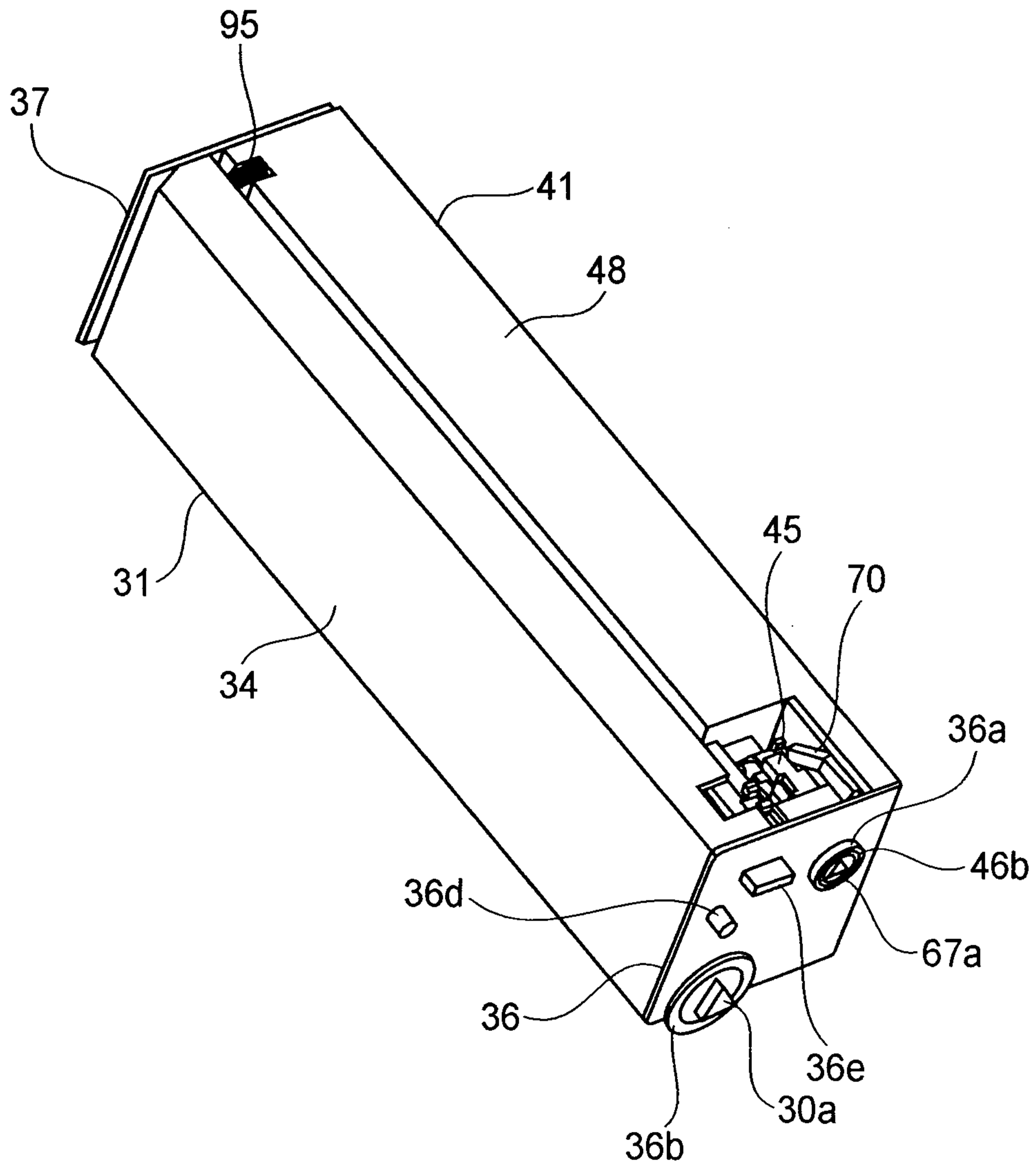


FIG. 9

8/34

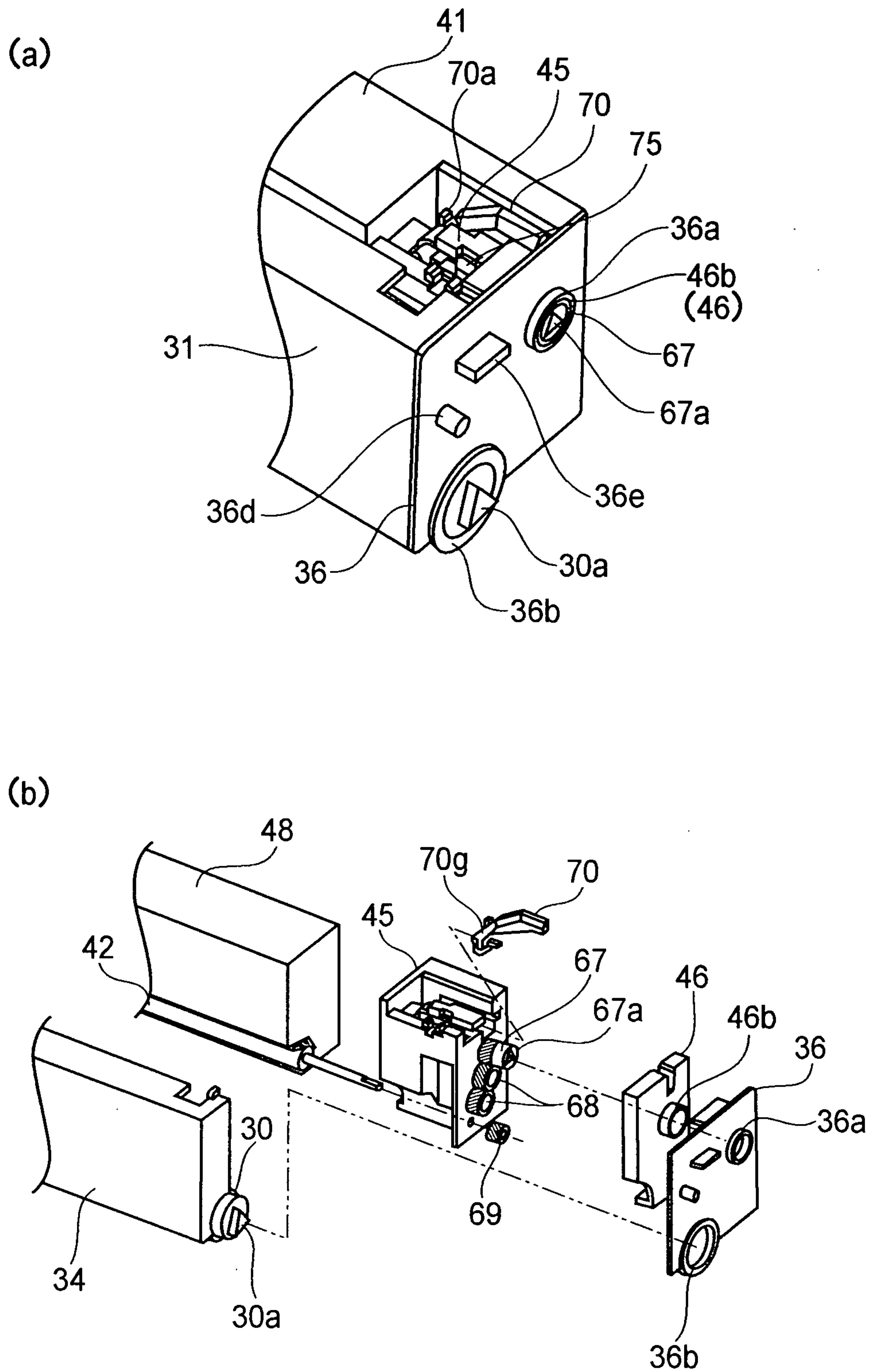


FIG. 10

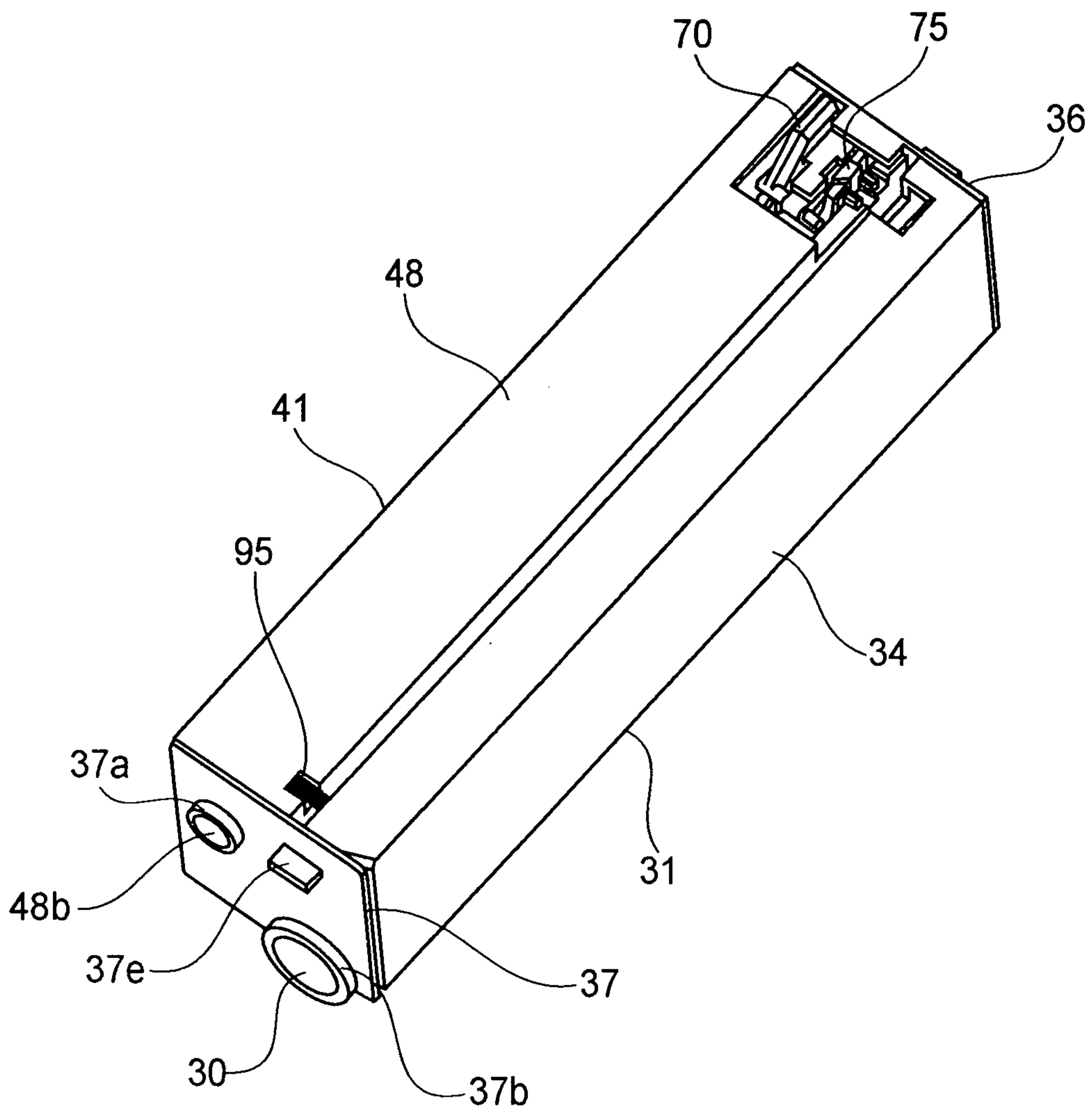


FIG.11

10/34

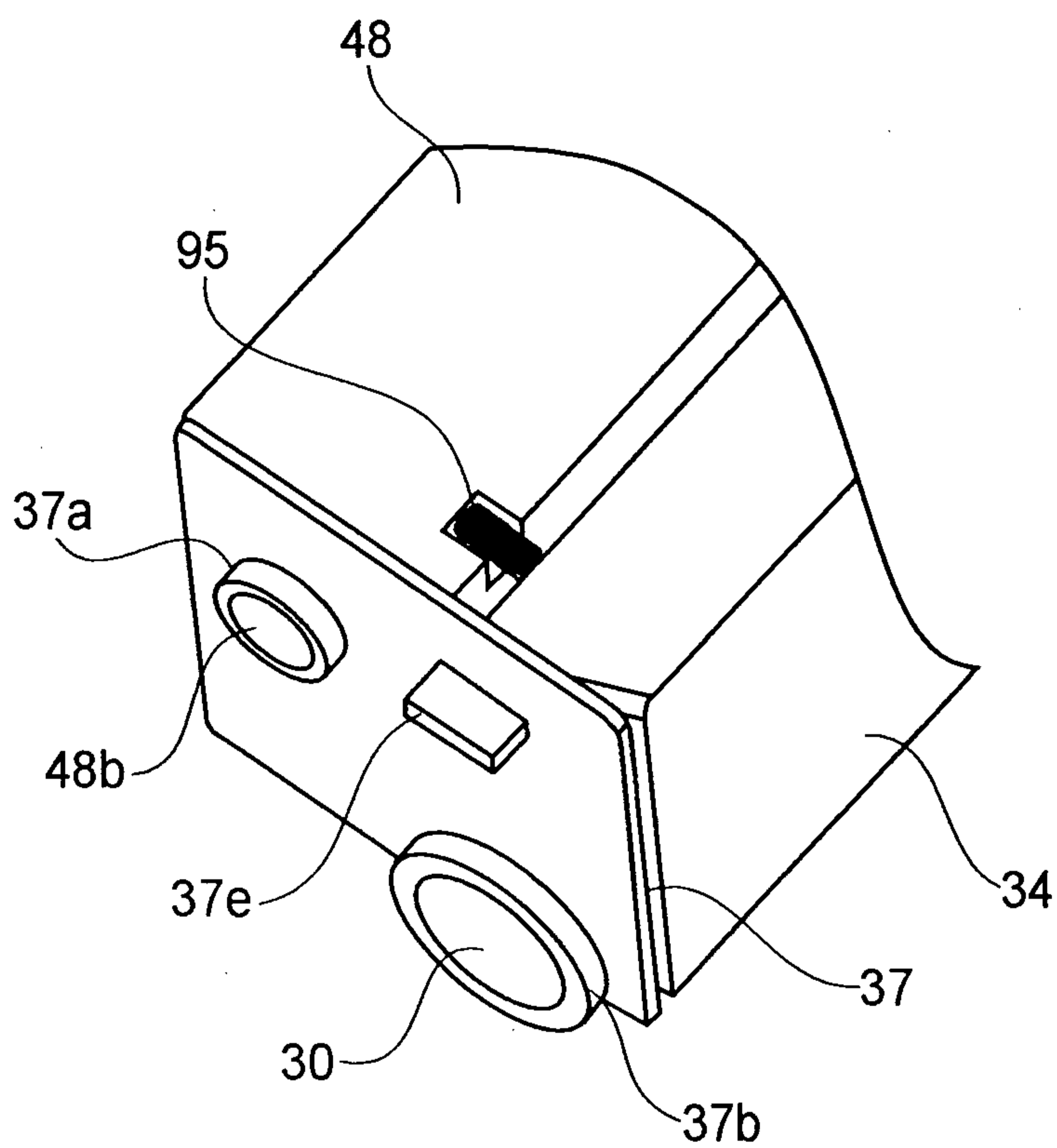


FIG. 12

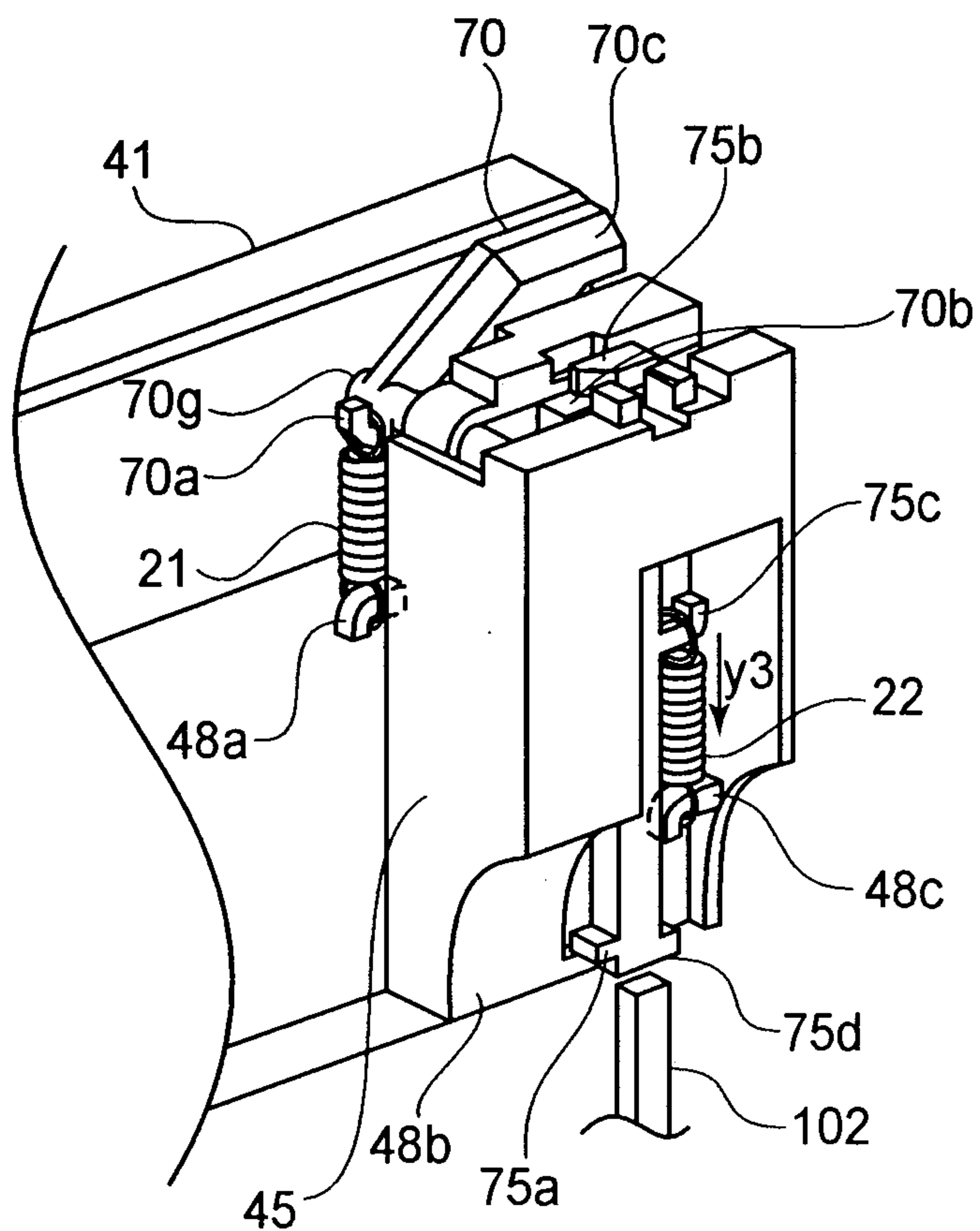


FIG. 13

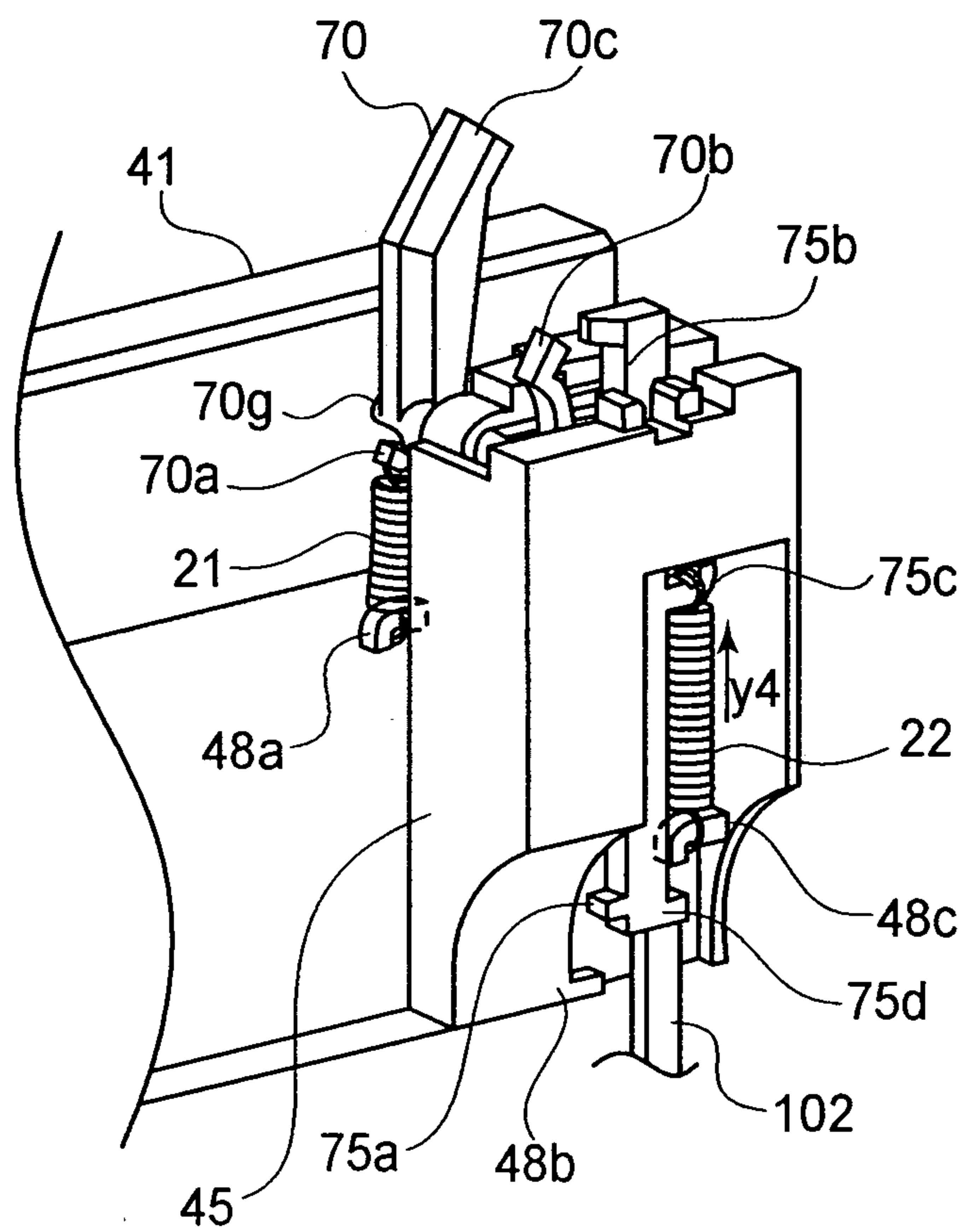


FIG.14

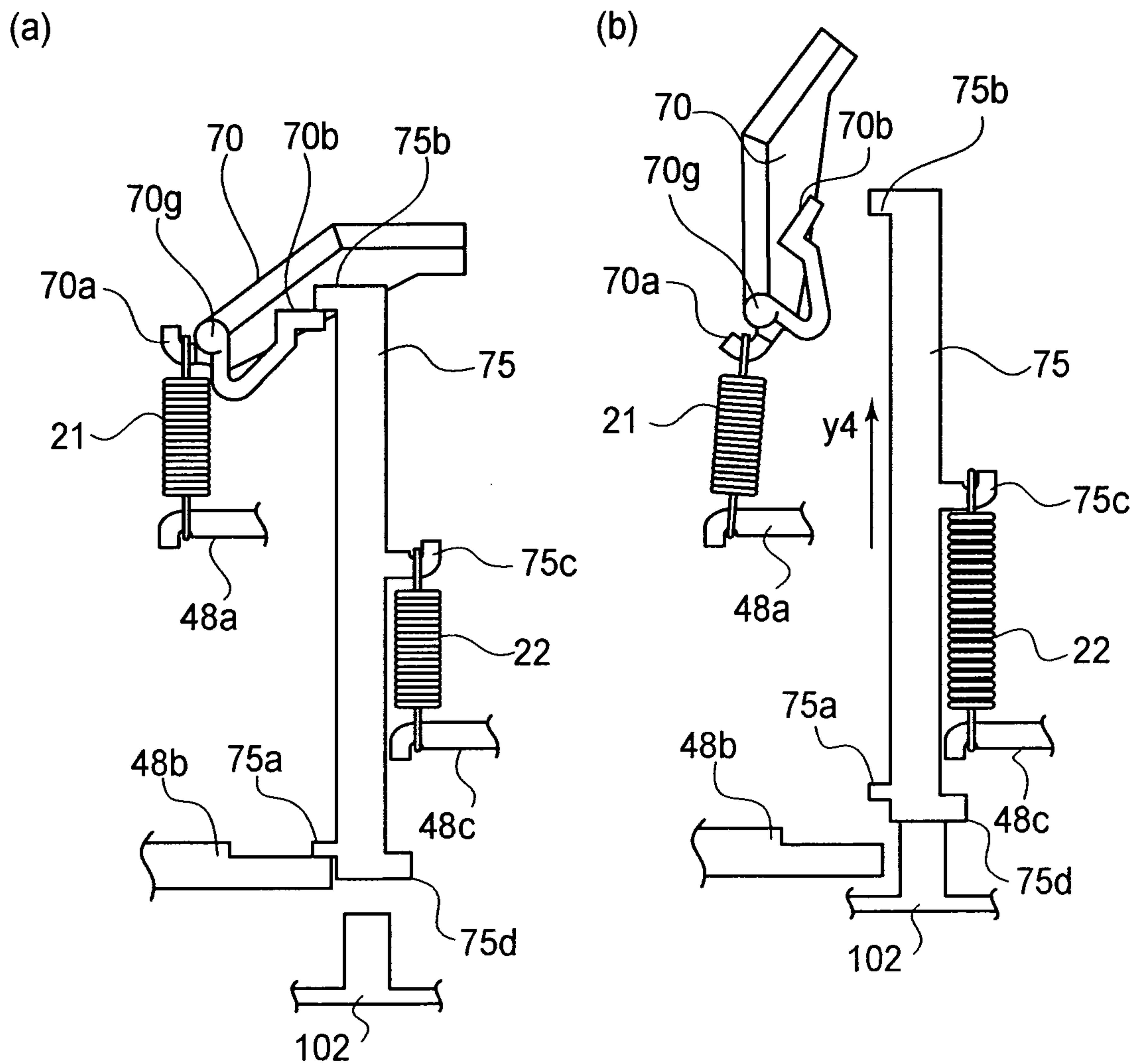


FIG. 15

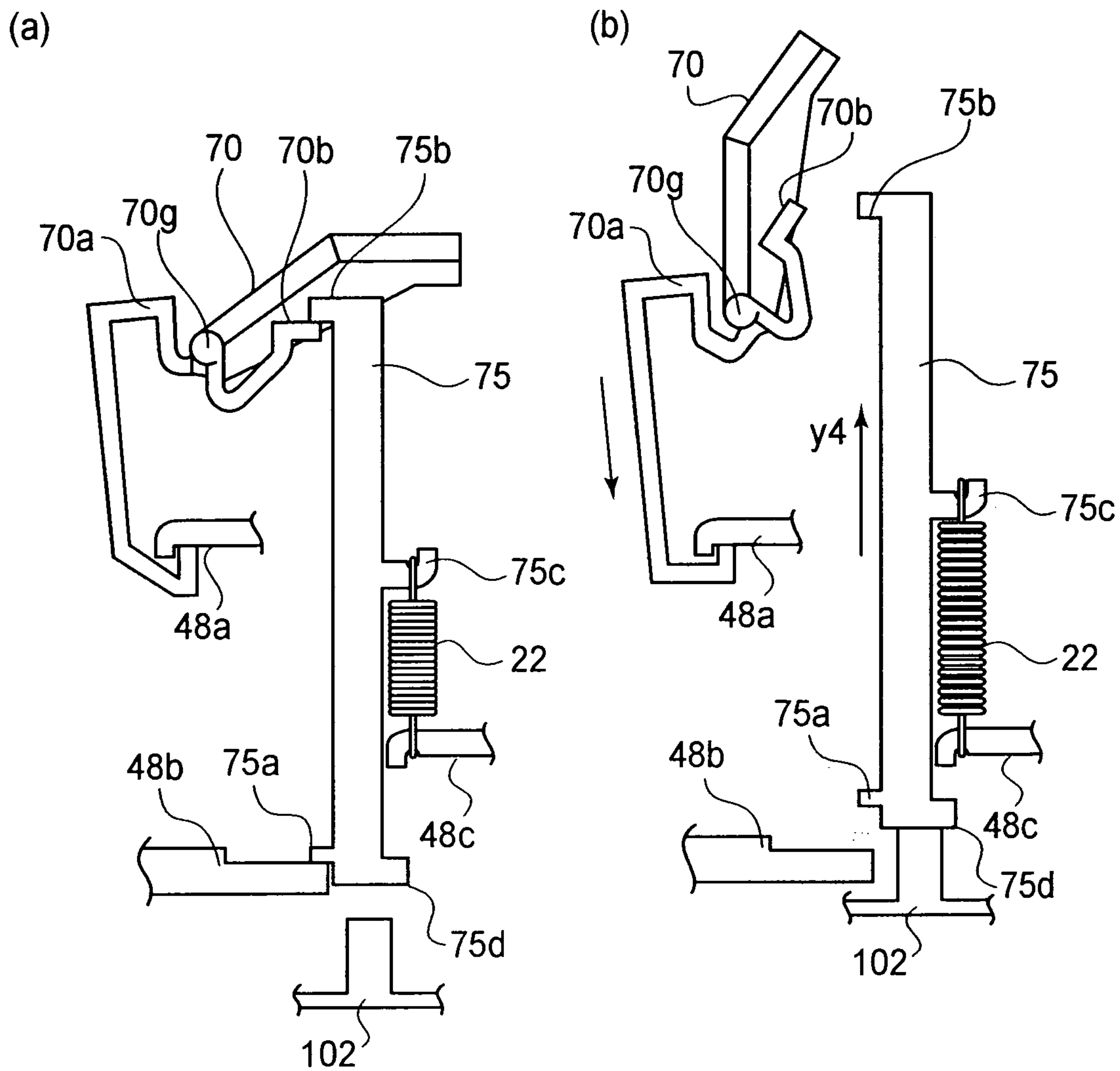


FIG. 16

15/34

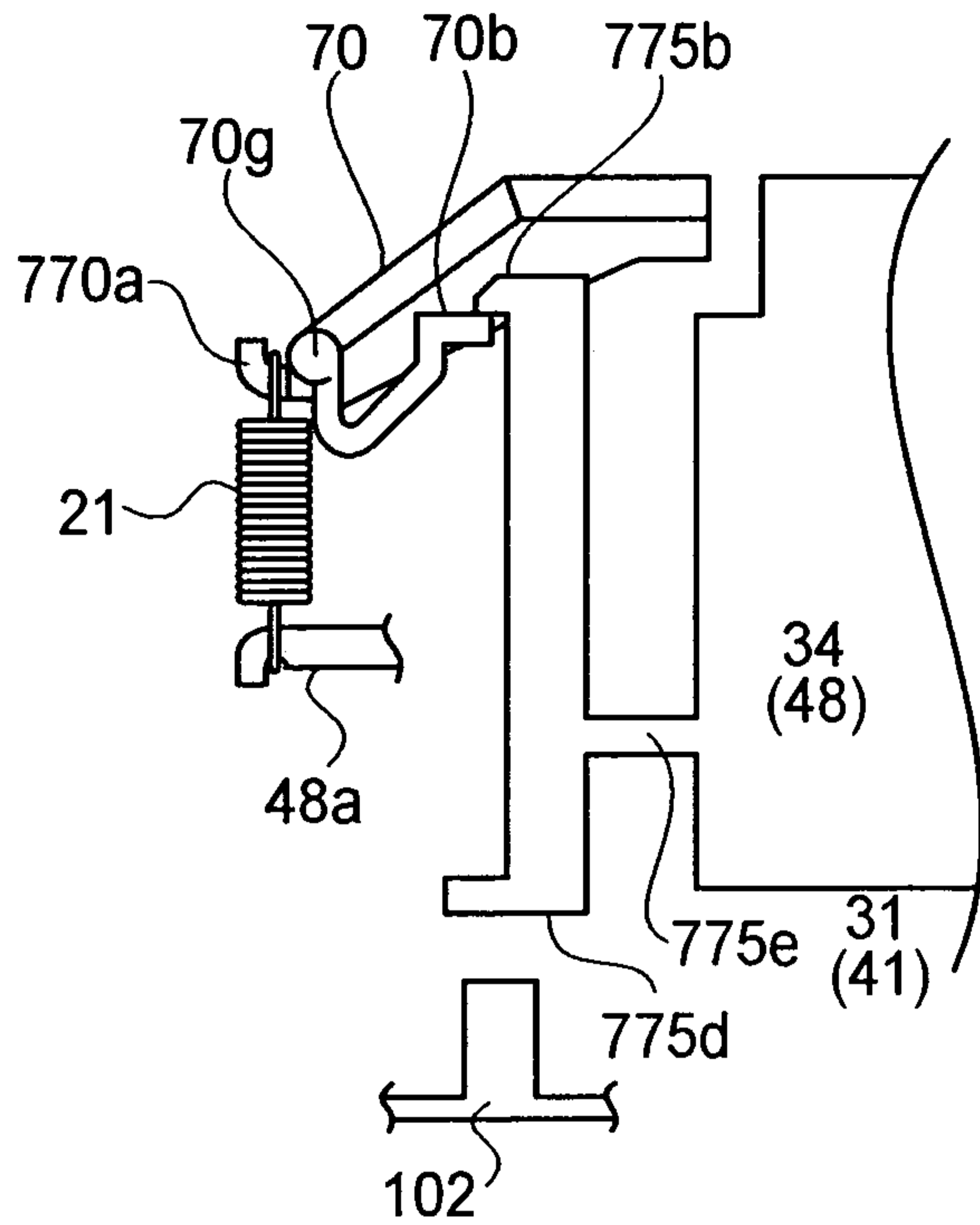


FIG. 17

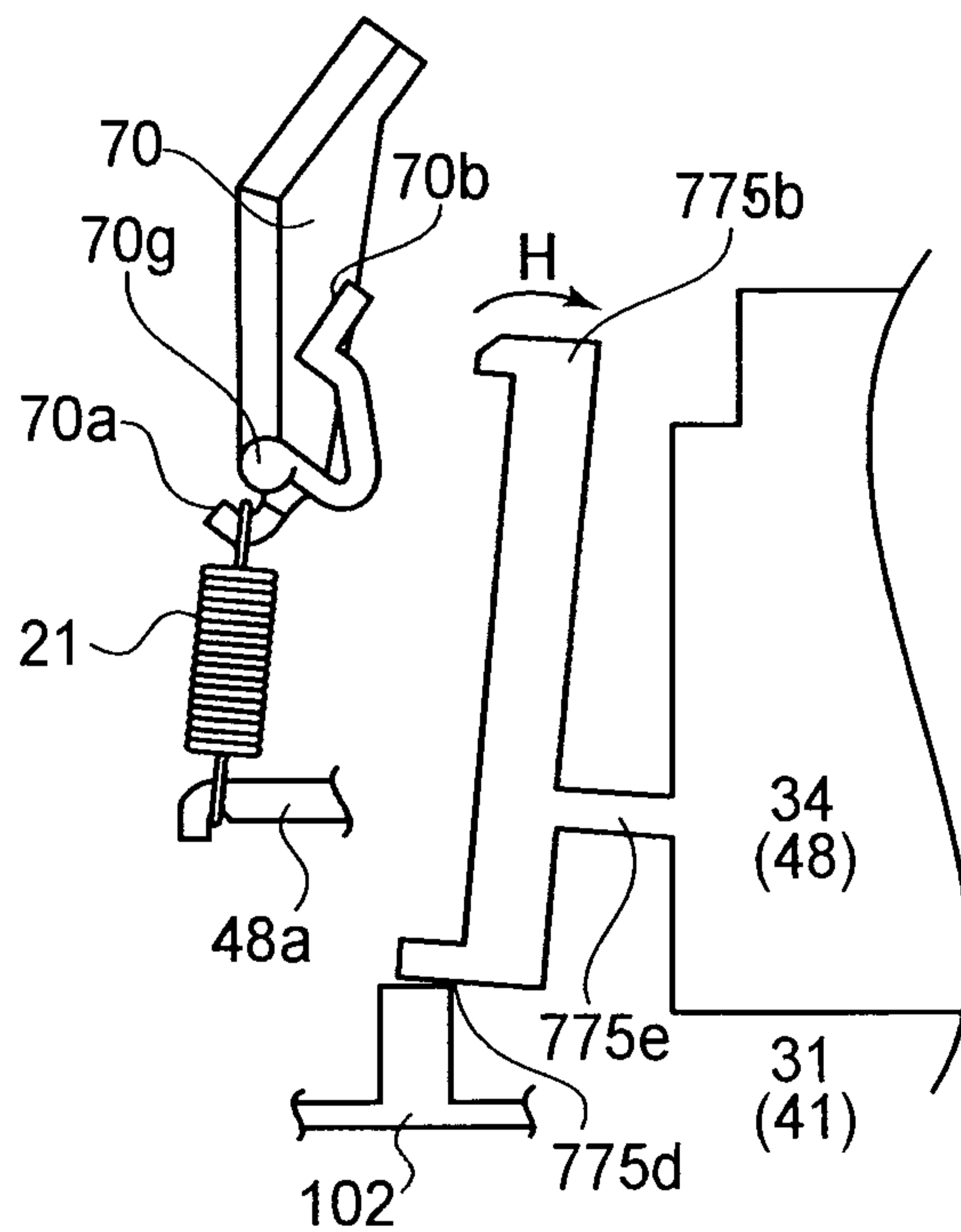


FIG. 18

16/34

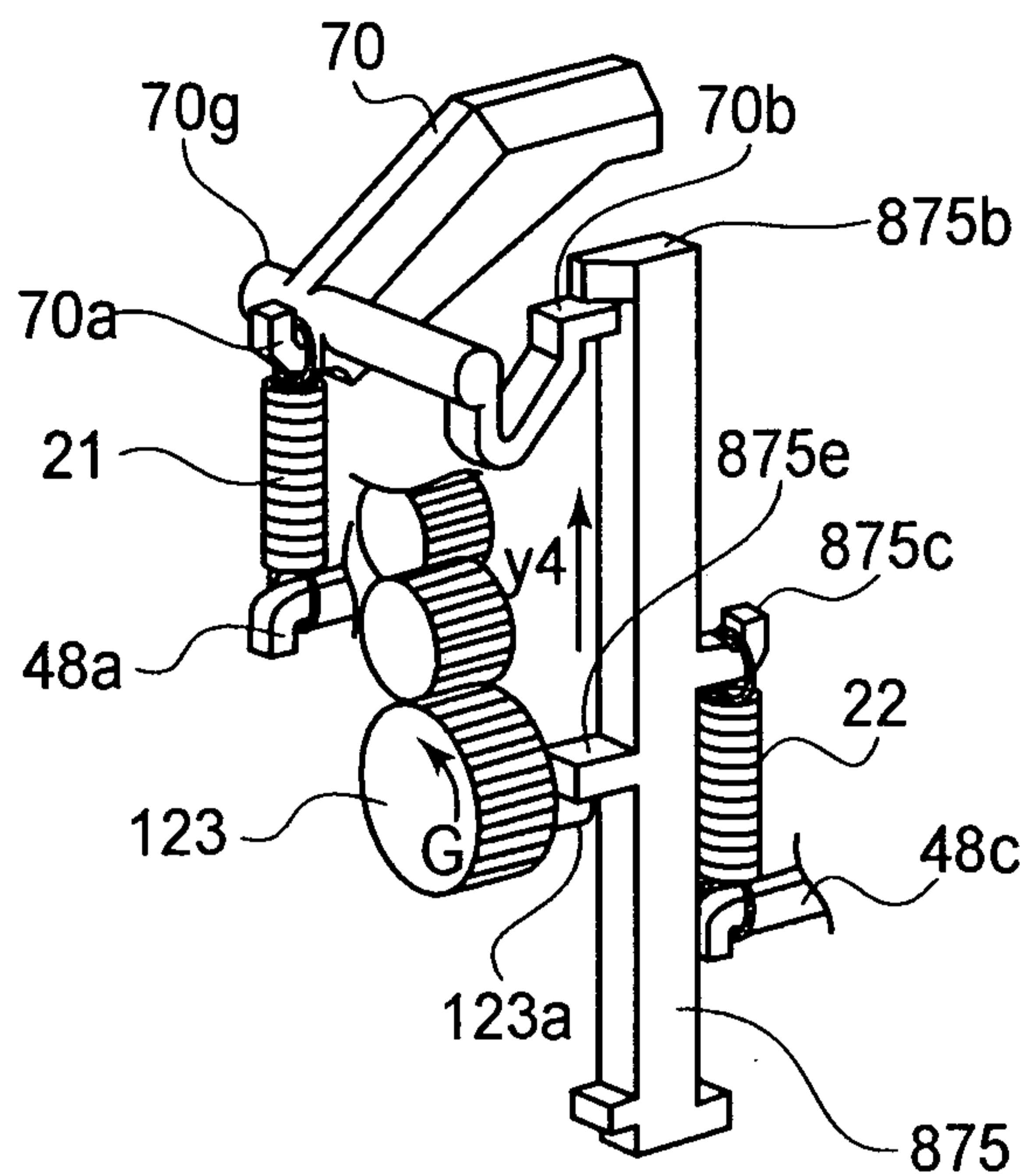


FIG. 19

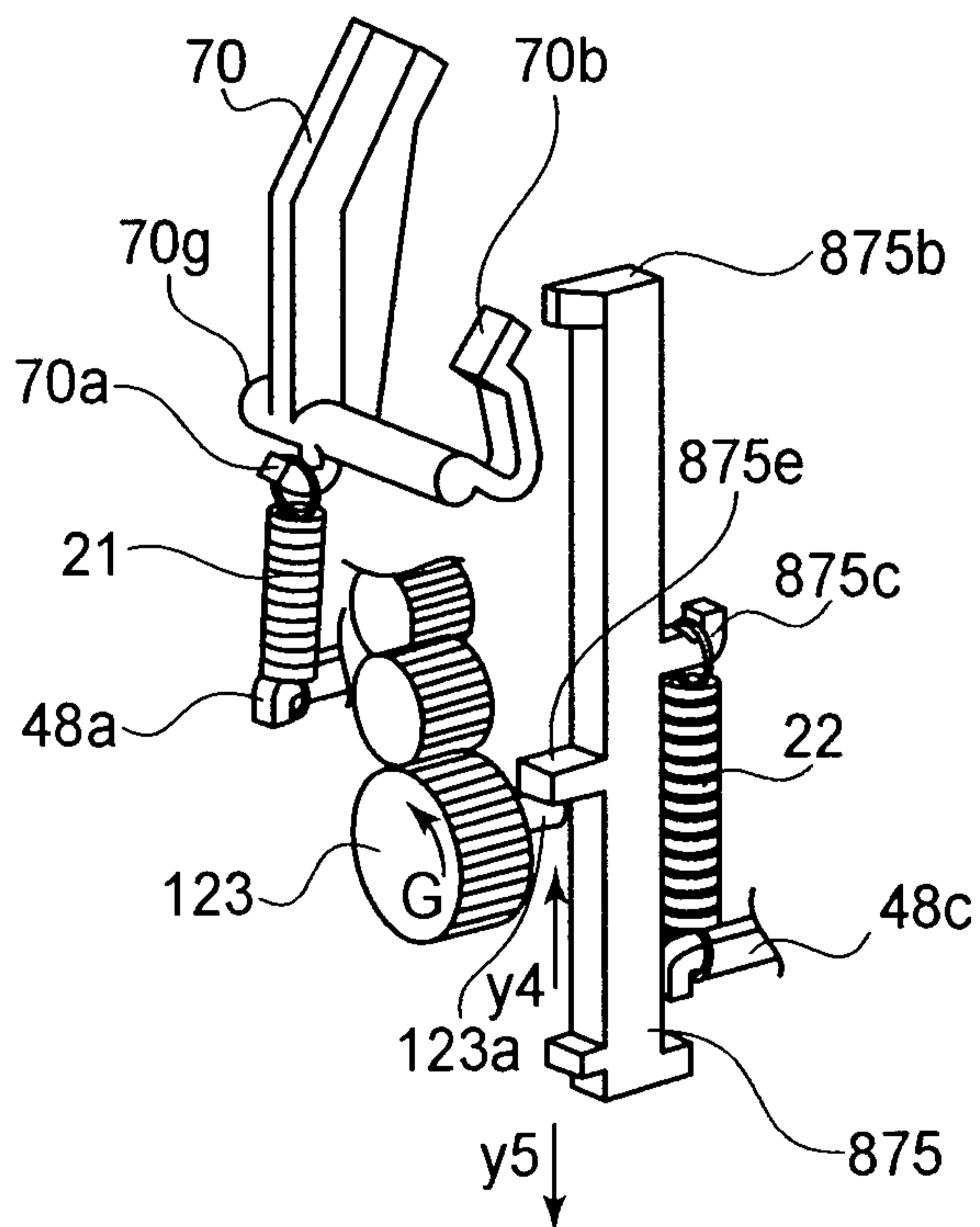


FIG. 20

17/34

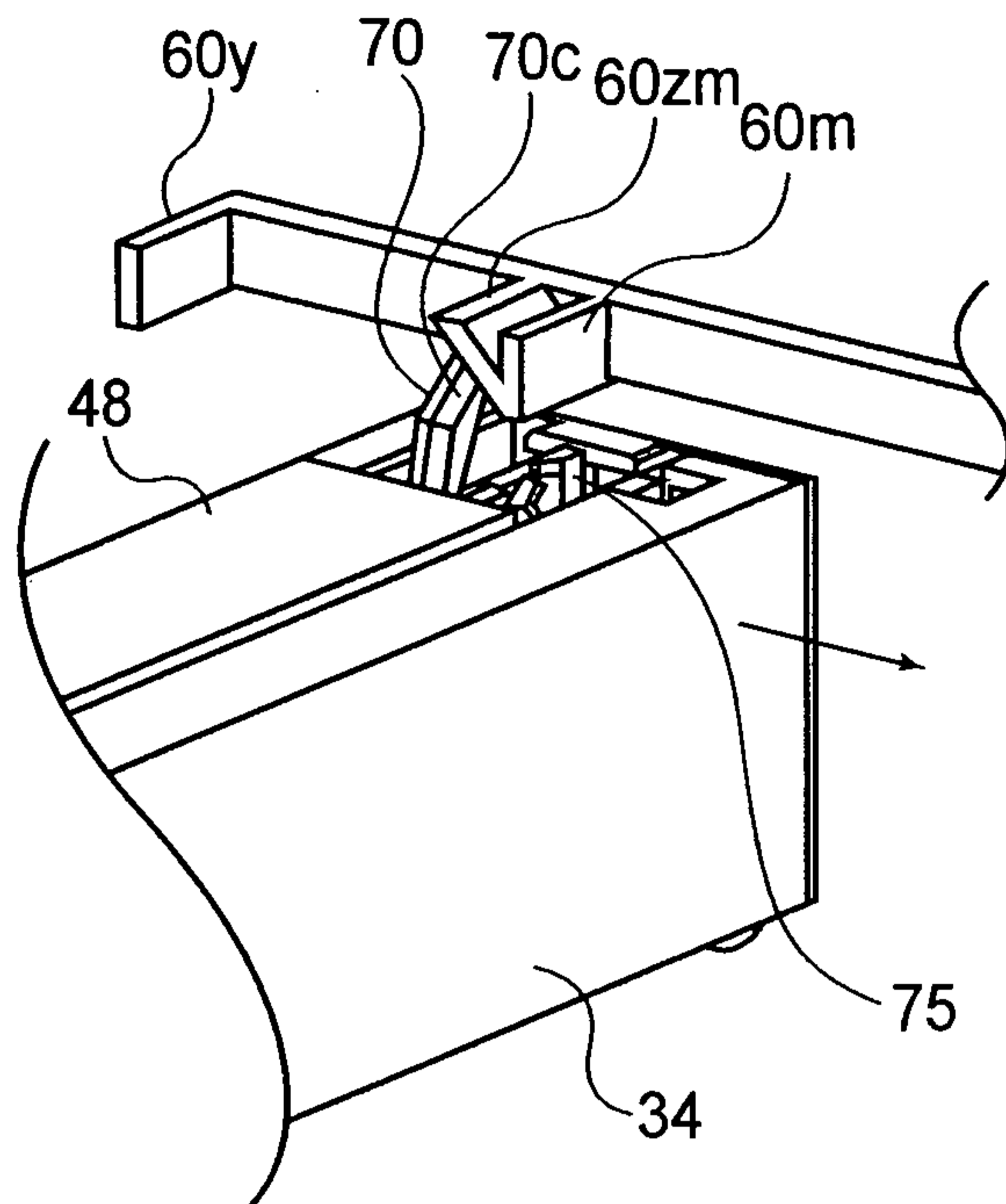


FIG. 21

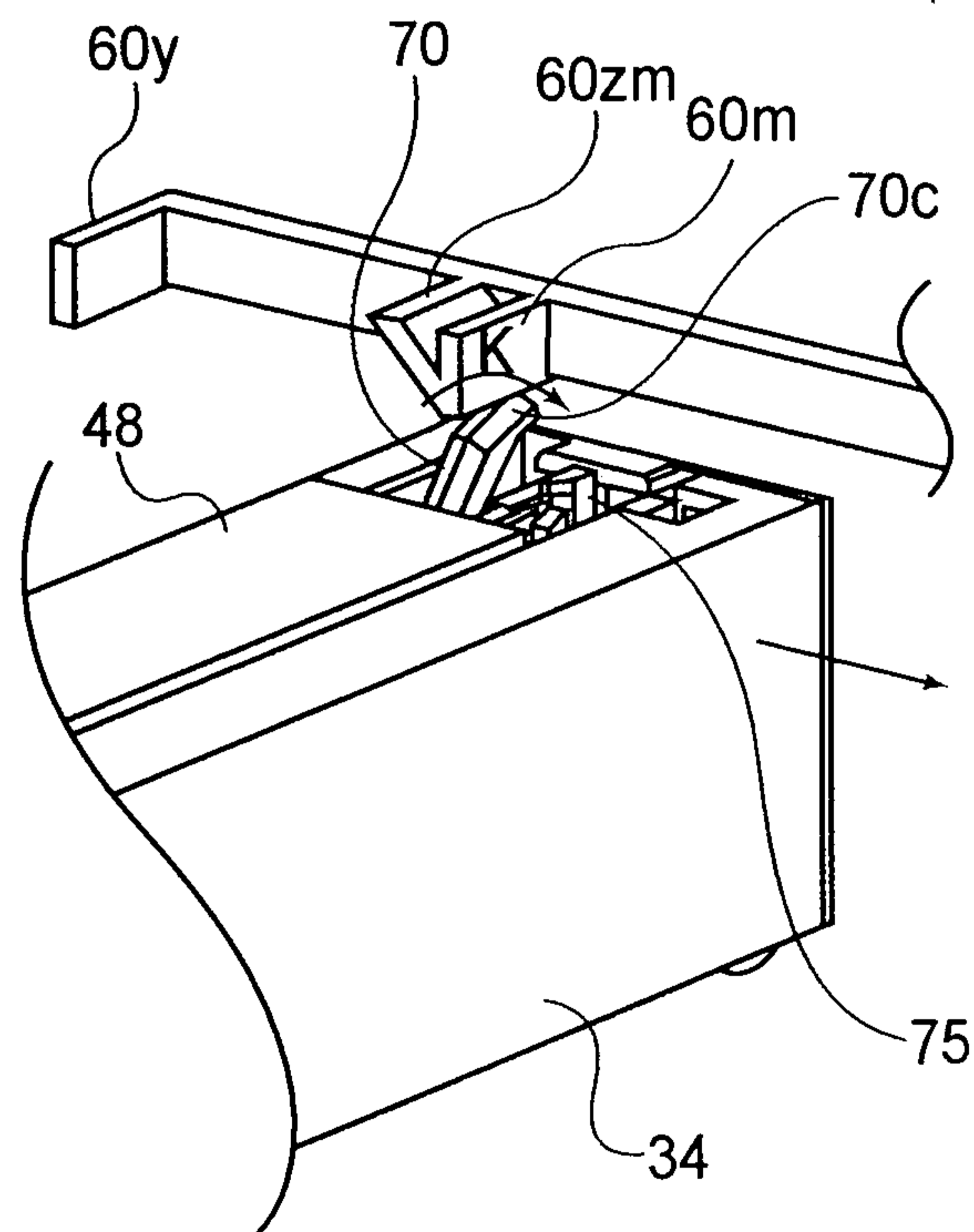


FIG. 22

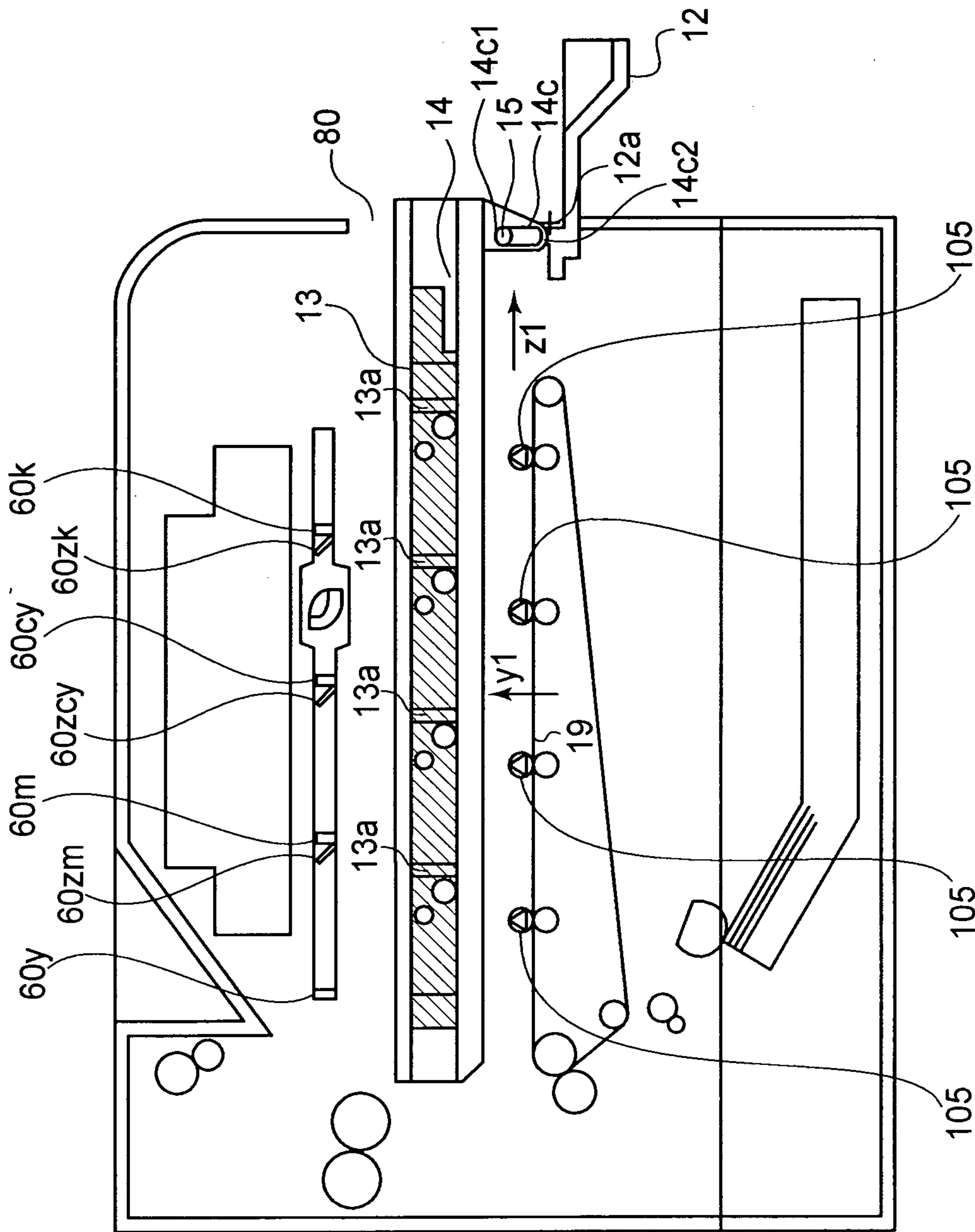


FIG.24

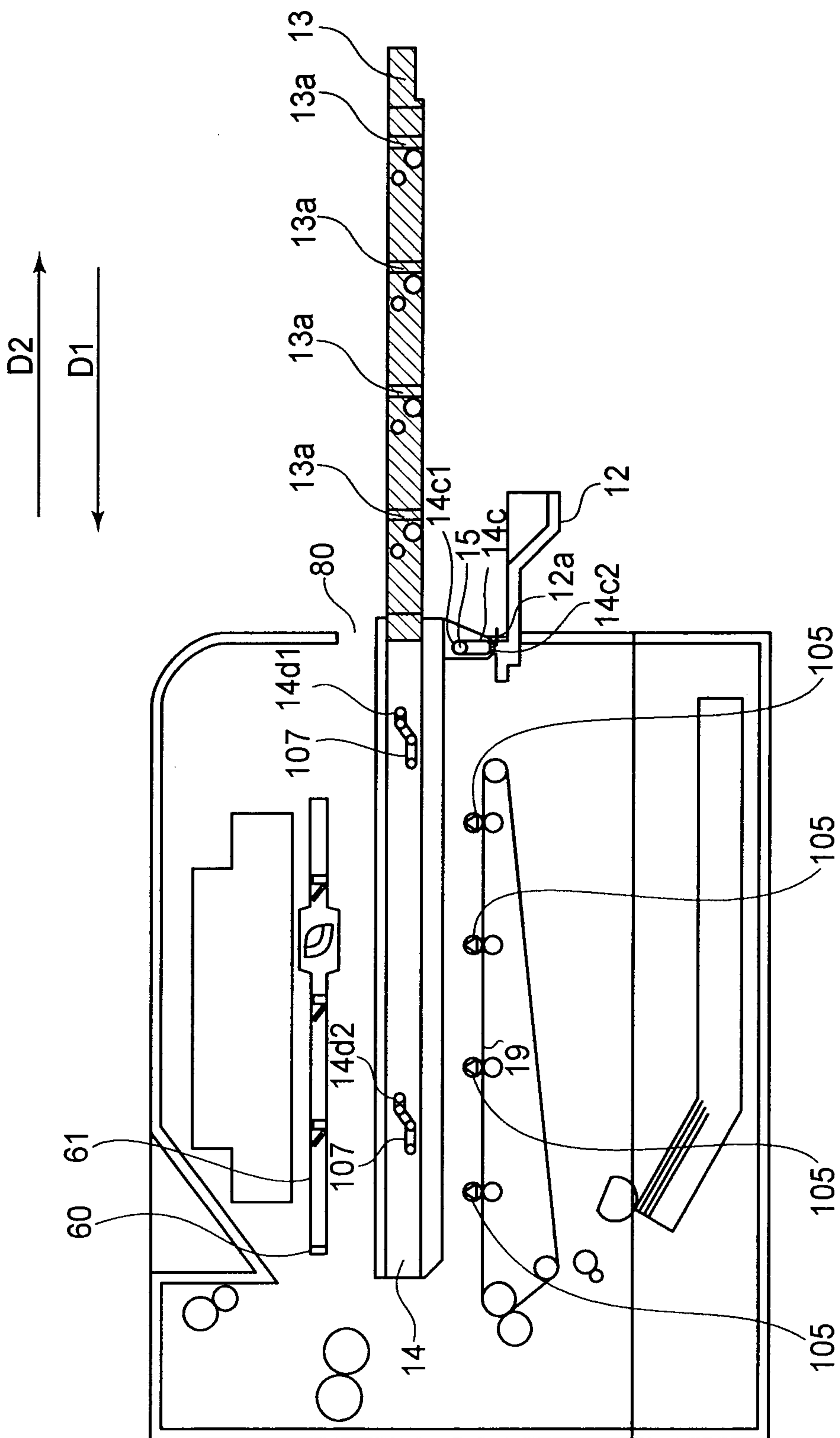


FIG. 25

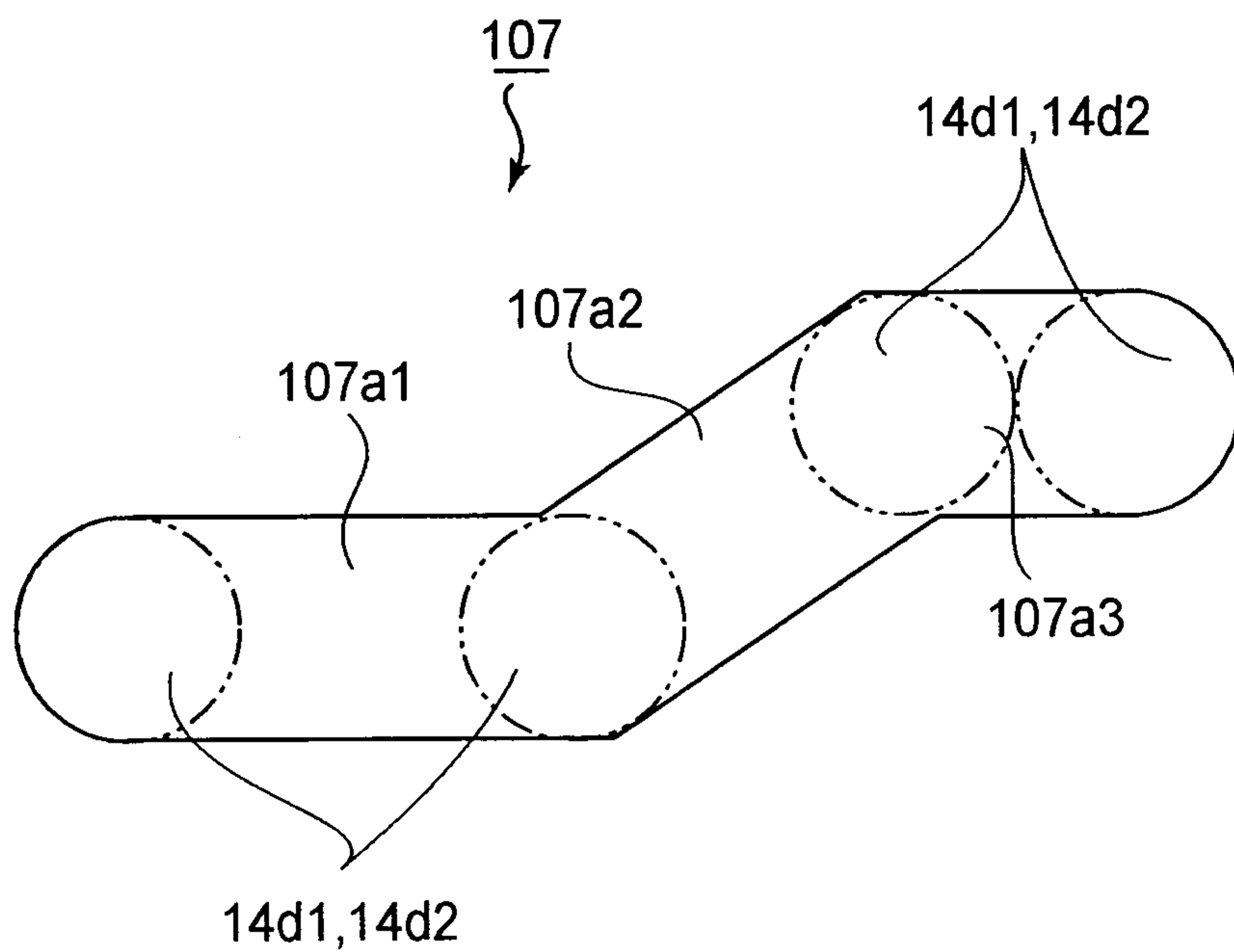


FIG.26

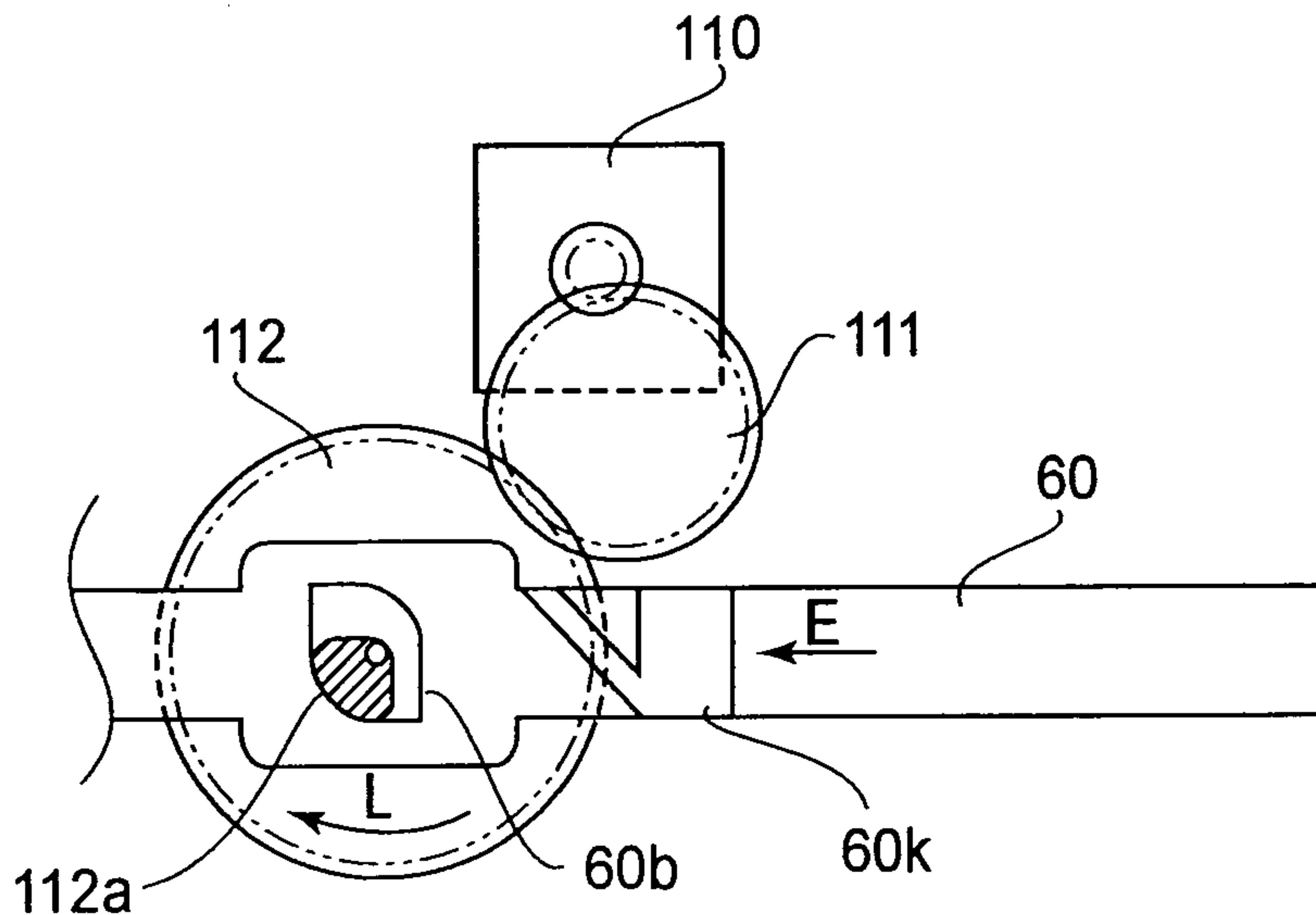


FIG. 27

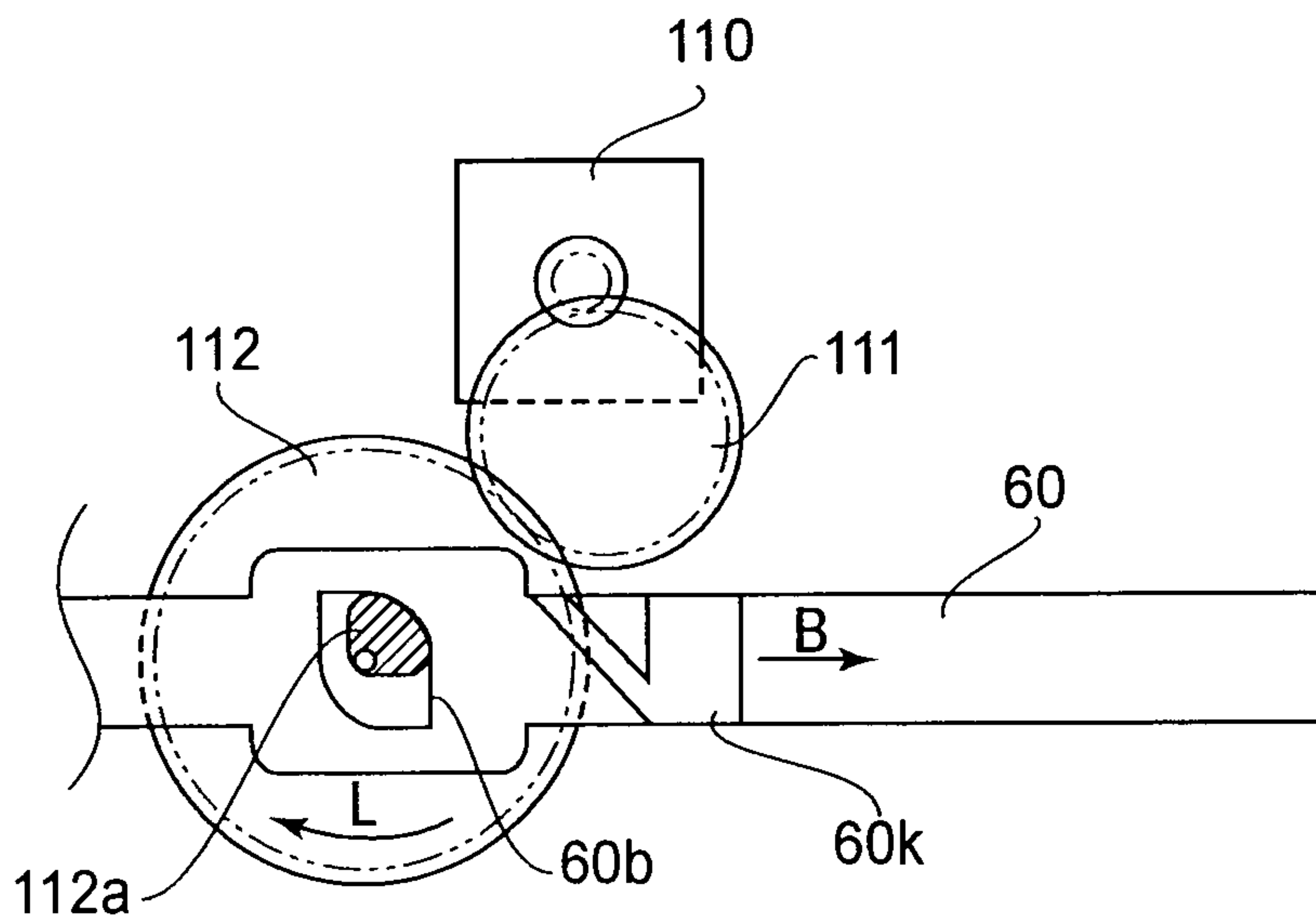


FIG. 28

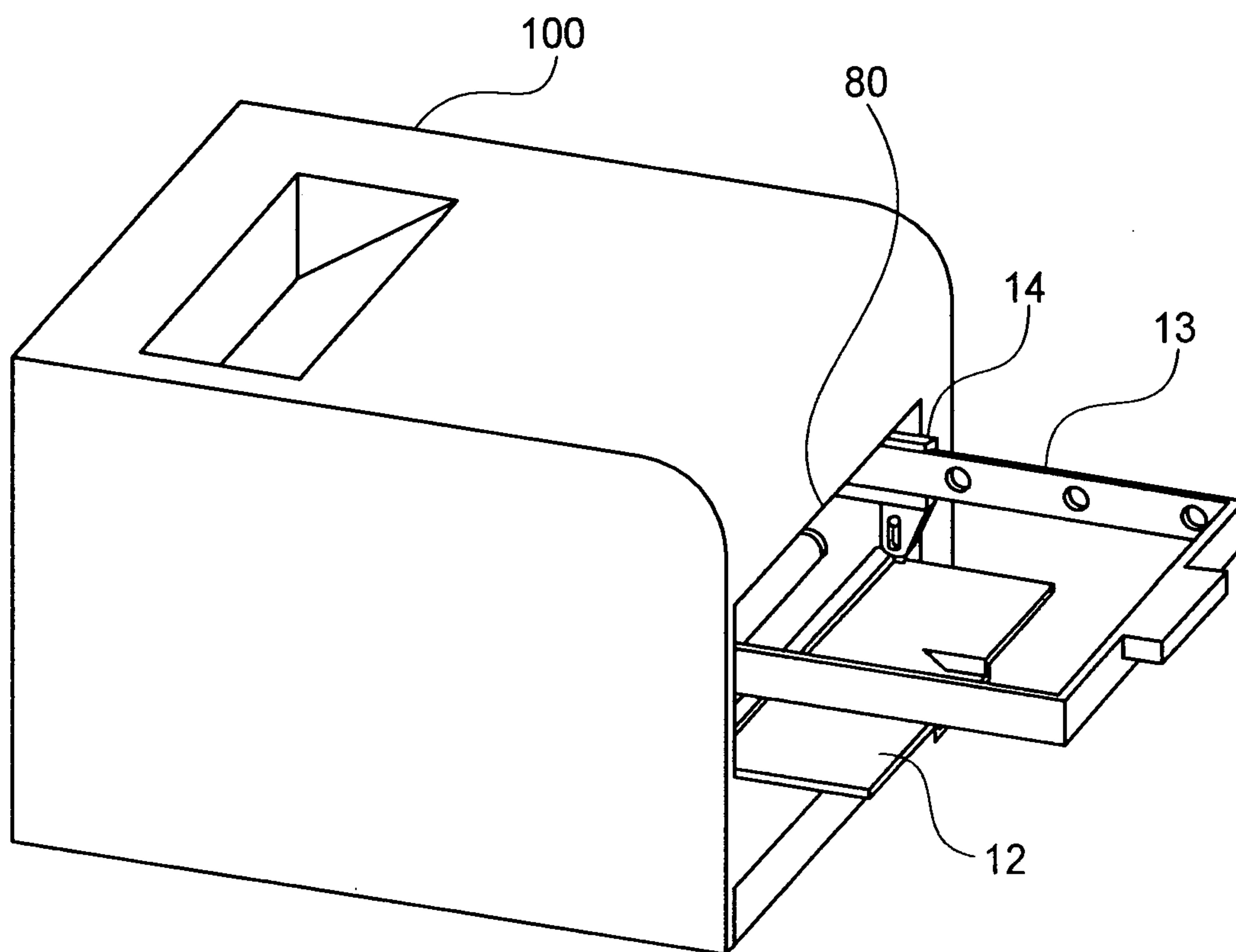


FIG.29

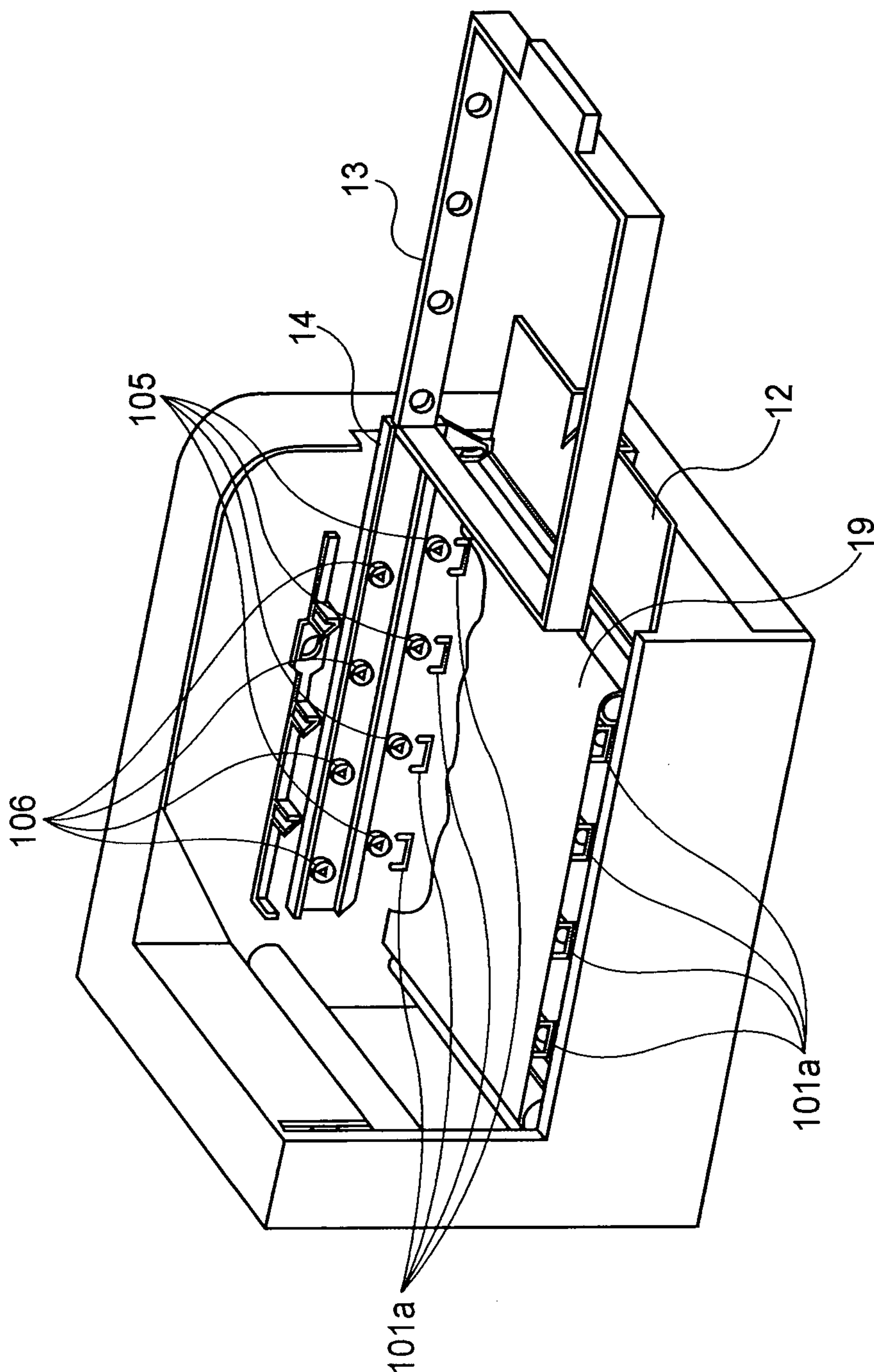


FIG. 30

25/34

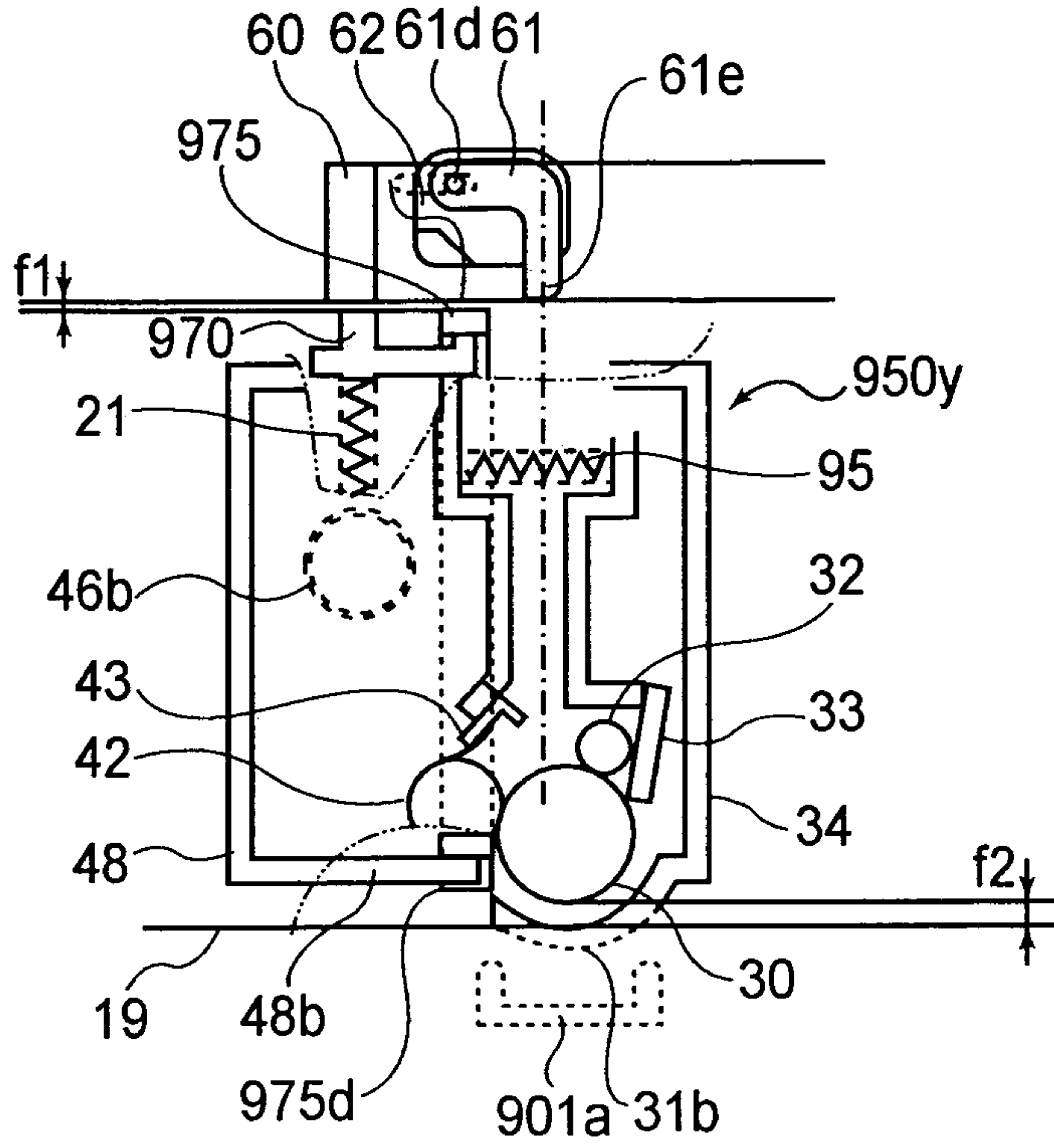


FIG. 31

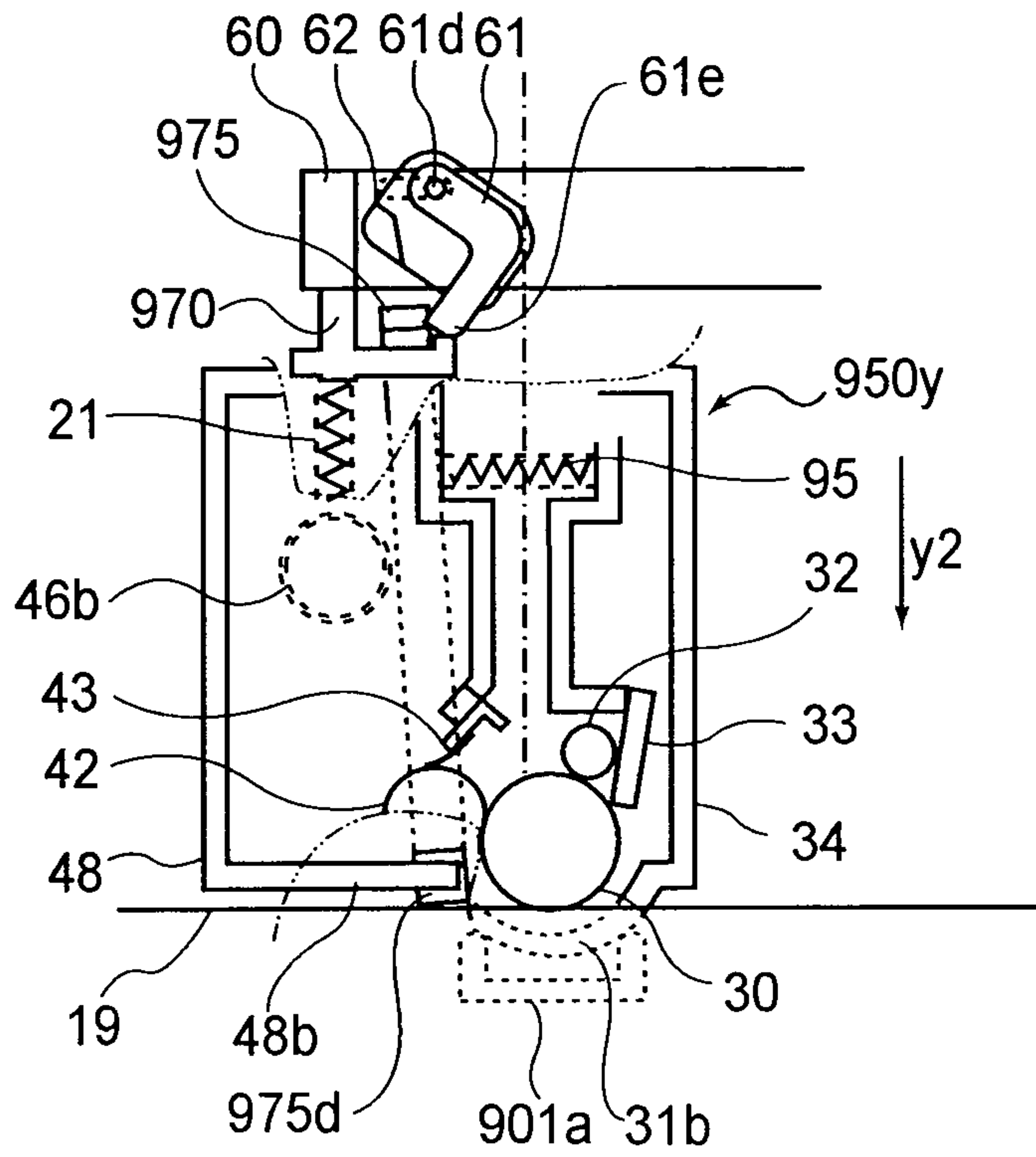


FIG. 32

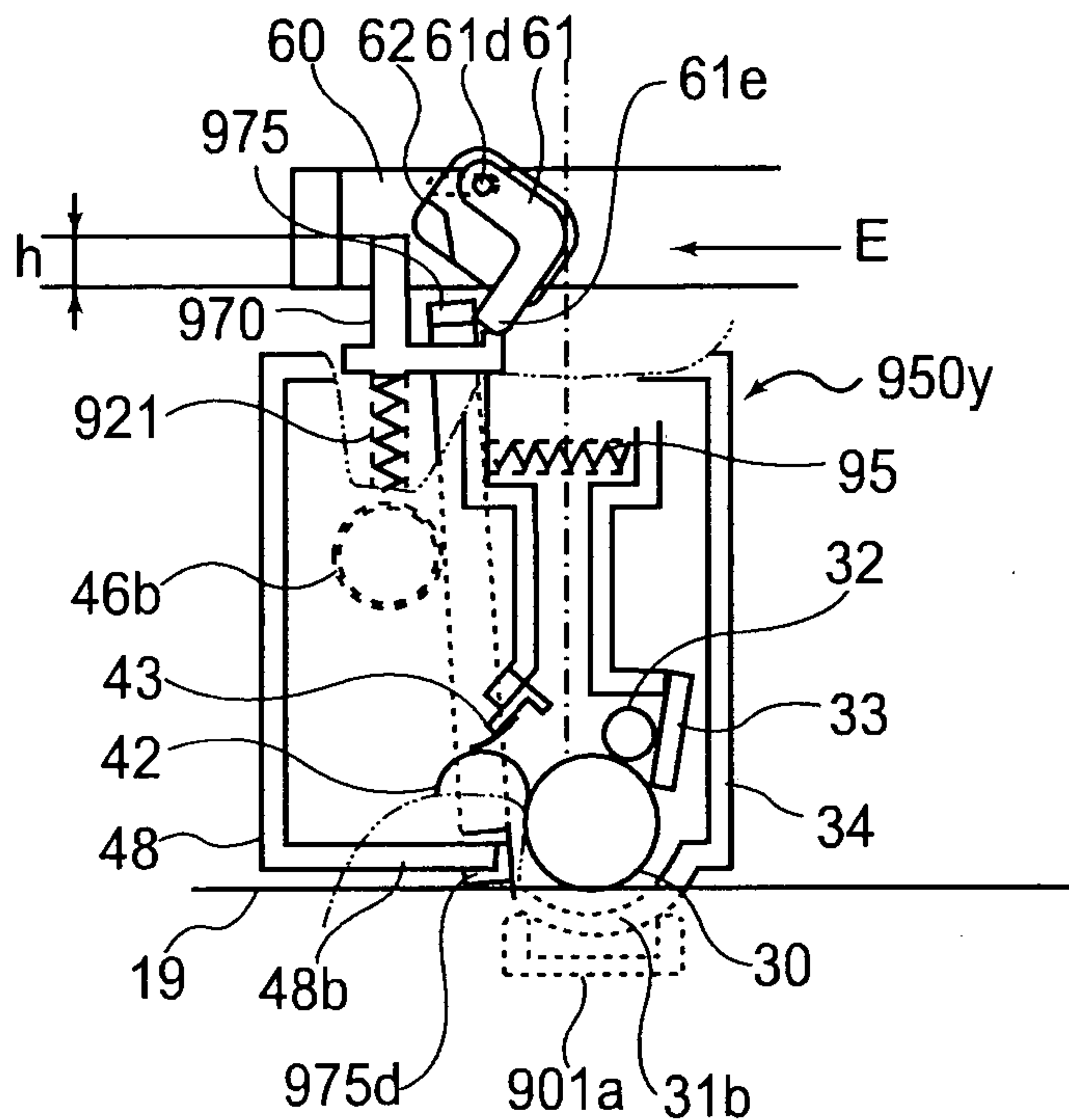


FIG. 33

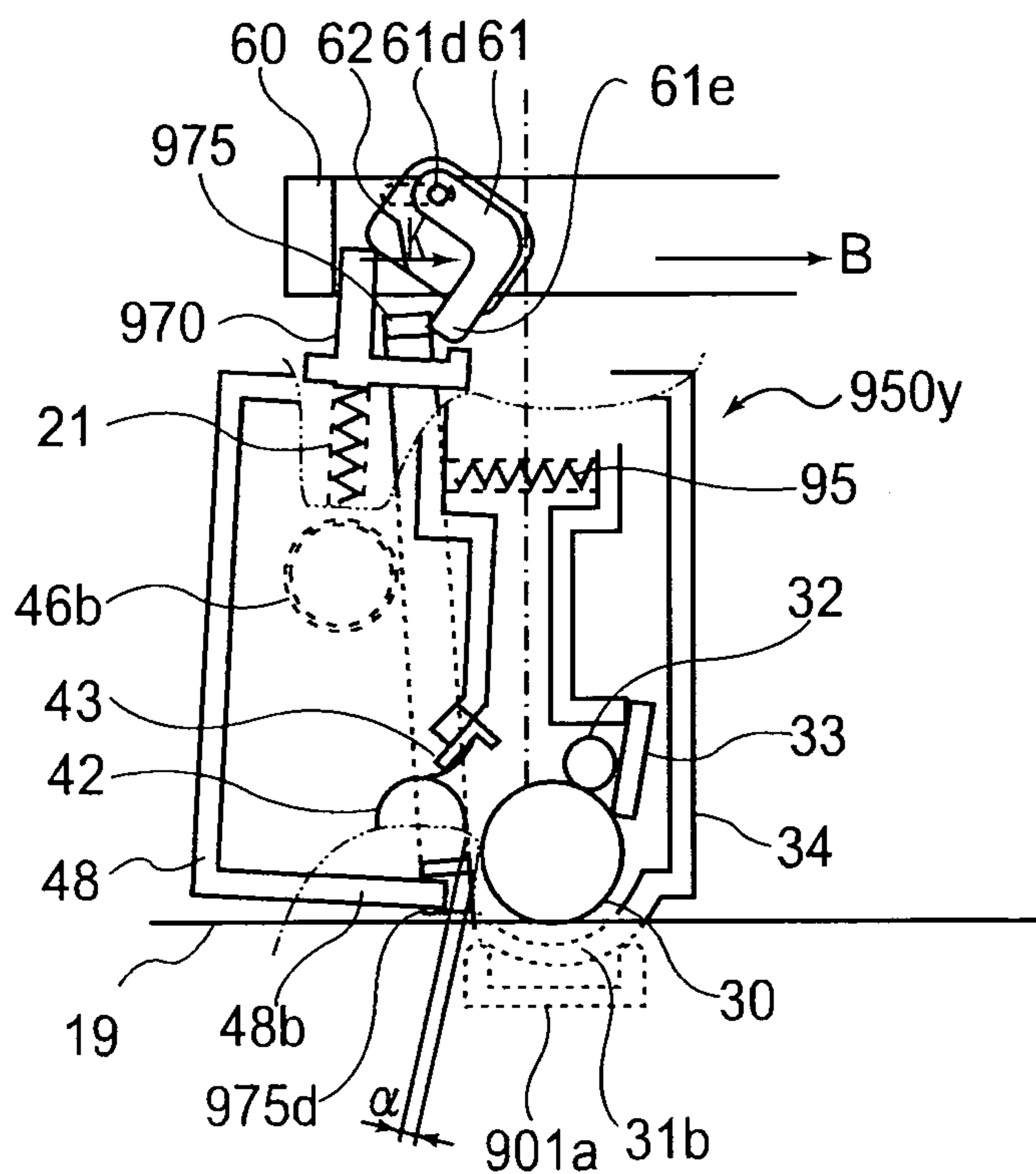


FIG. 34

27/34

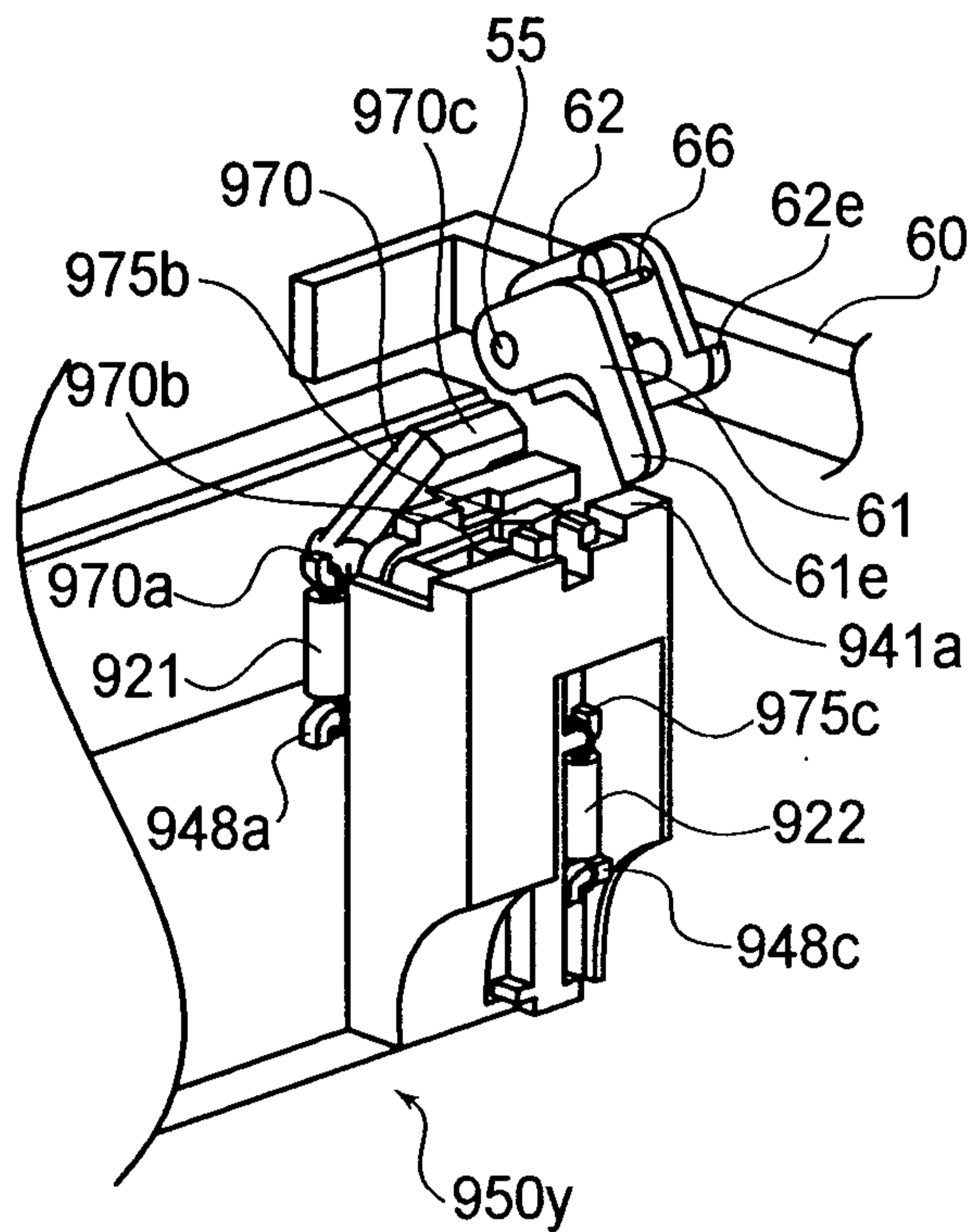


FIG. 35

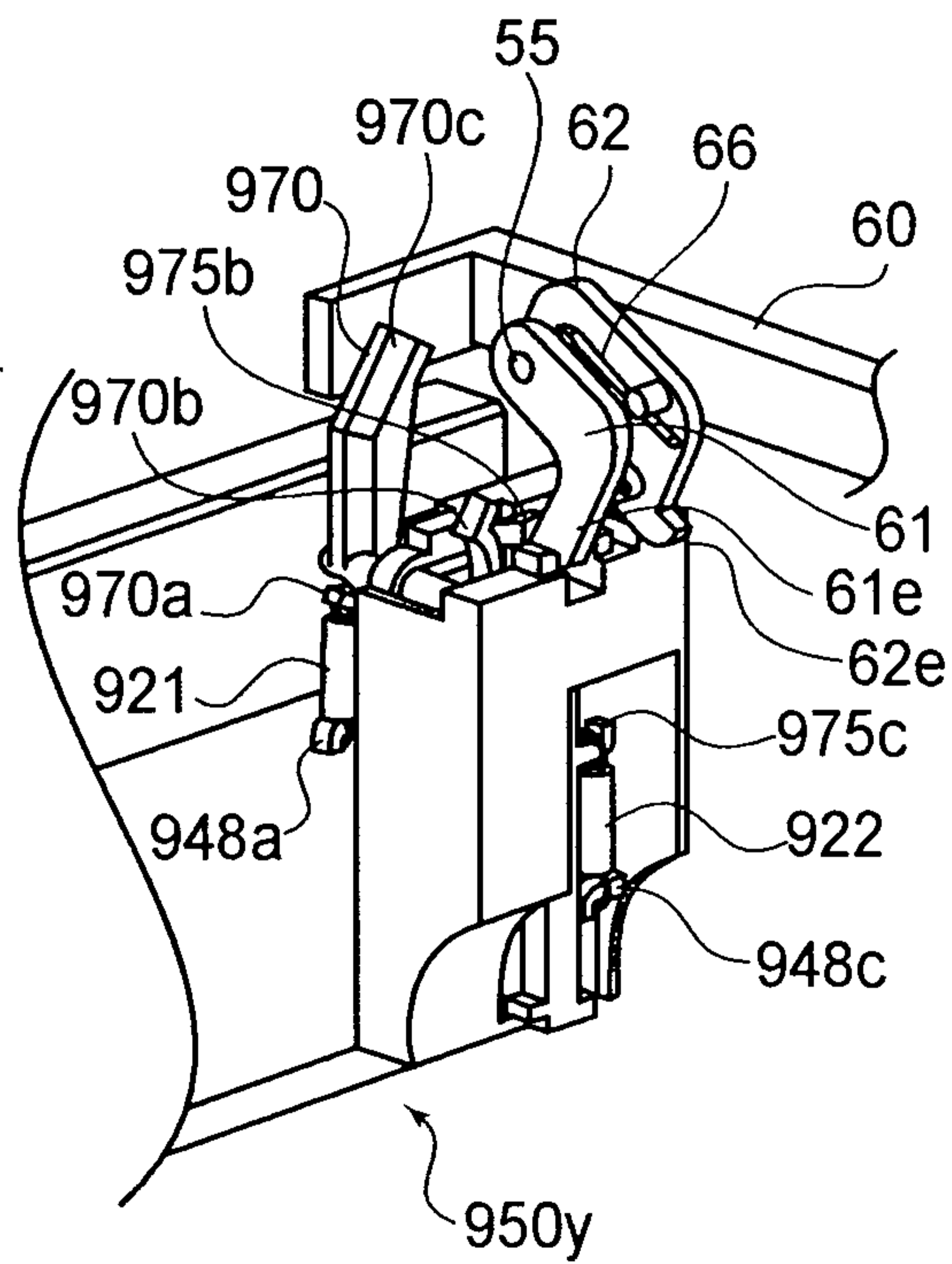


FIG. 36

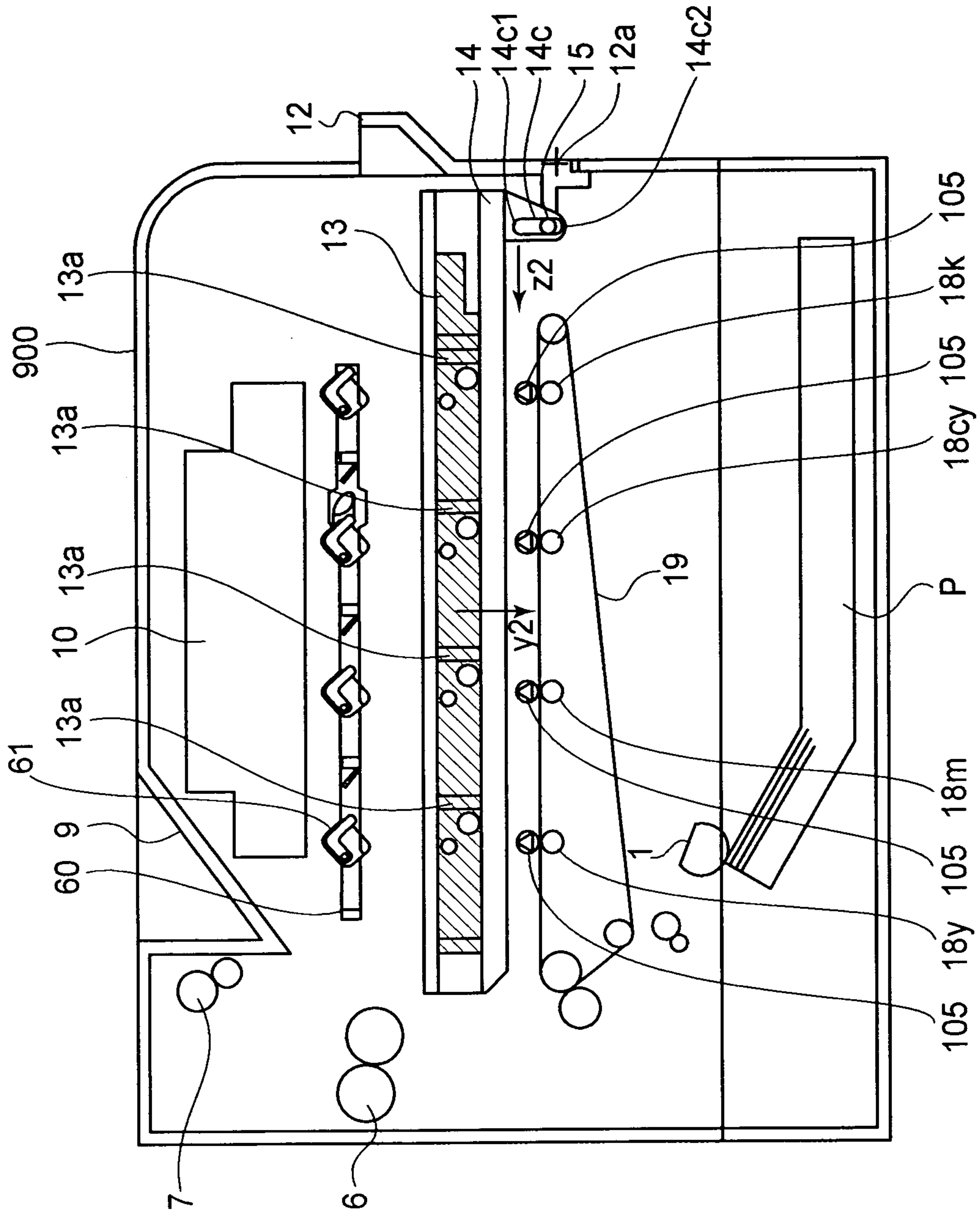


FIG. 37

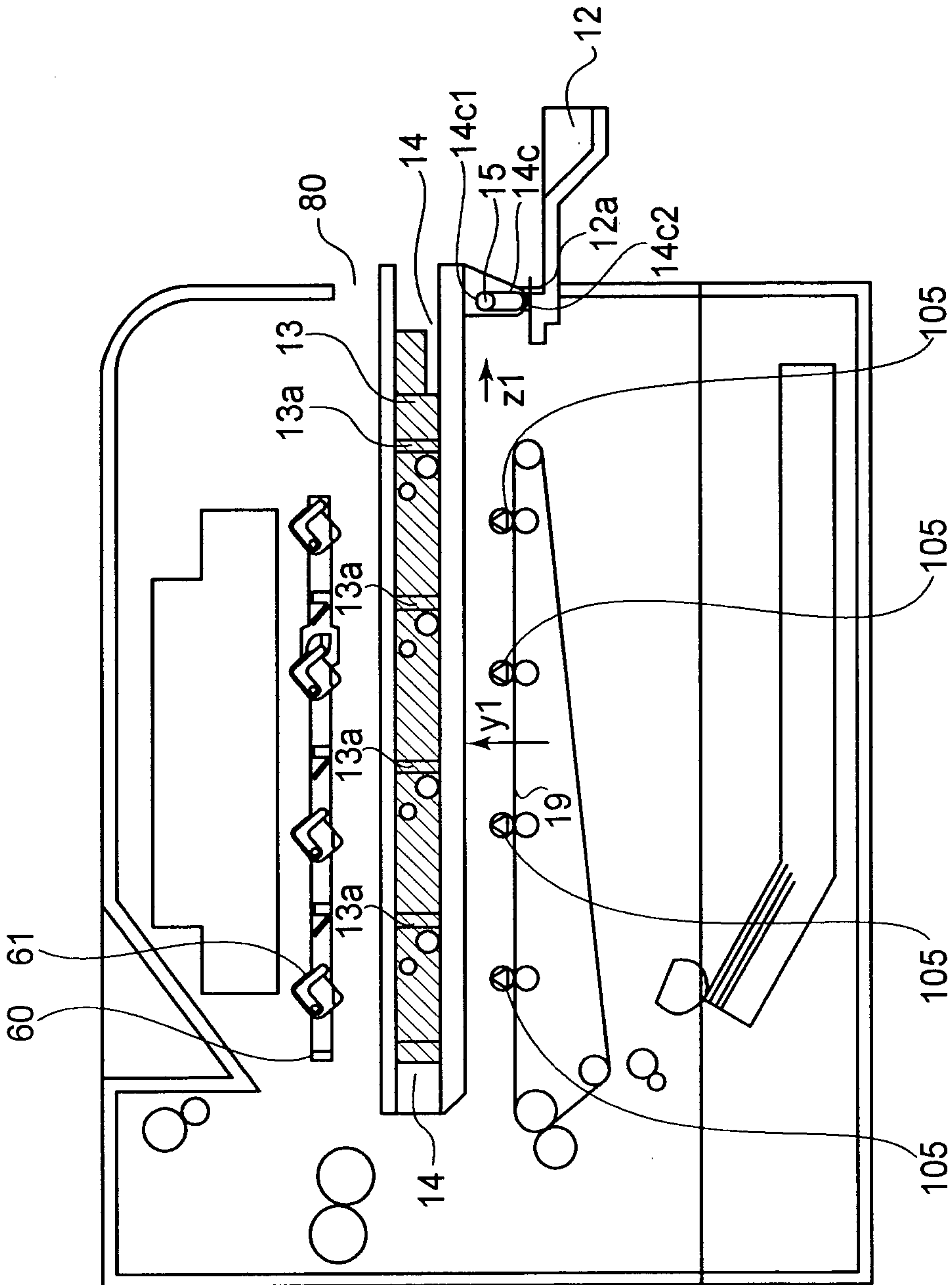


FIG. 38

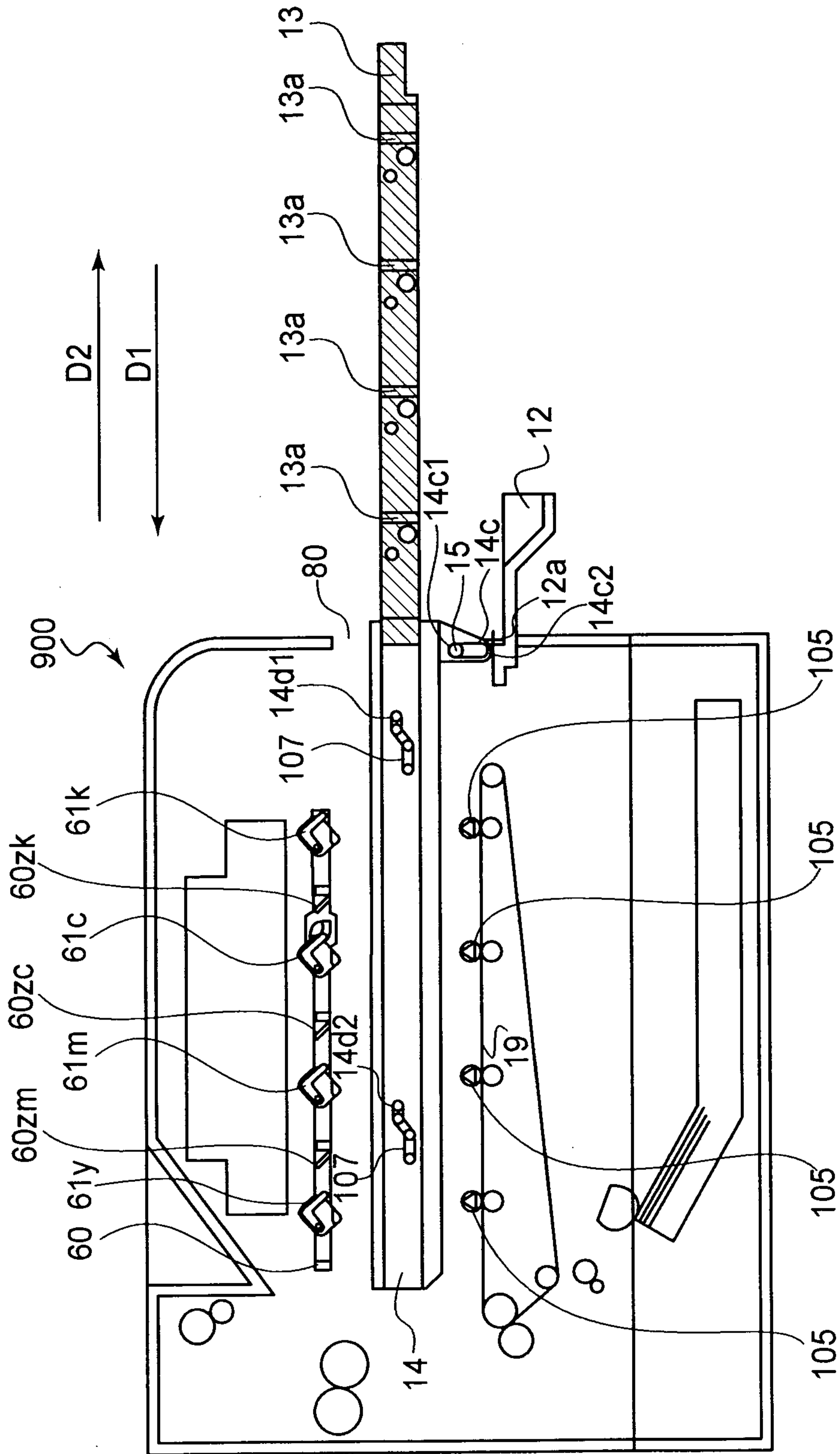


FIG. 39

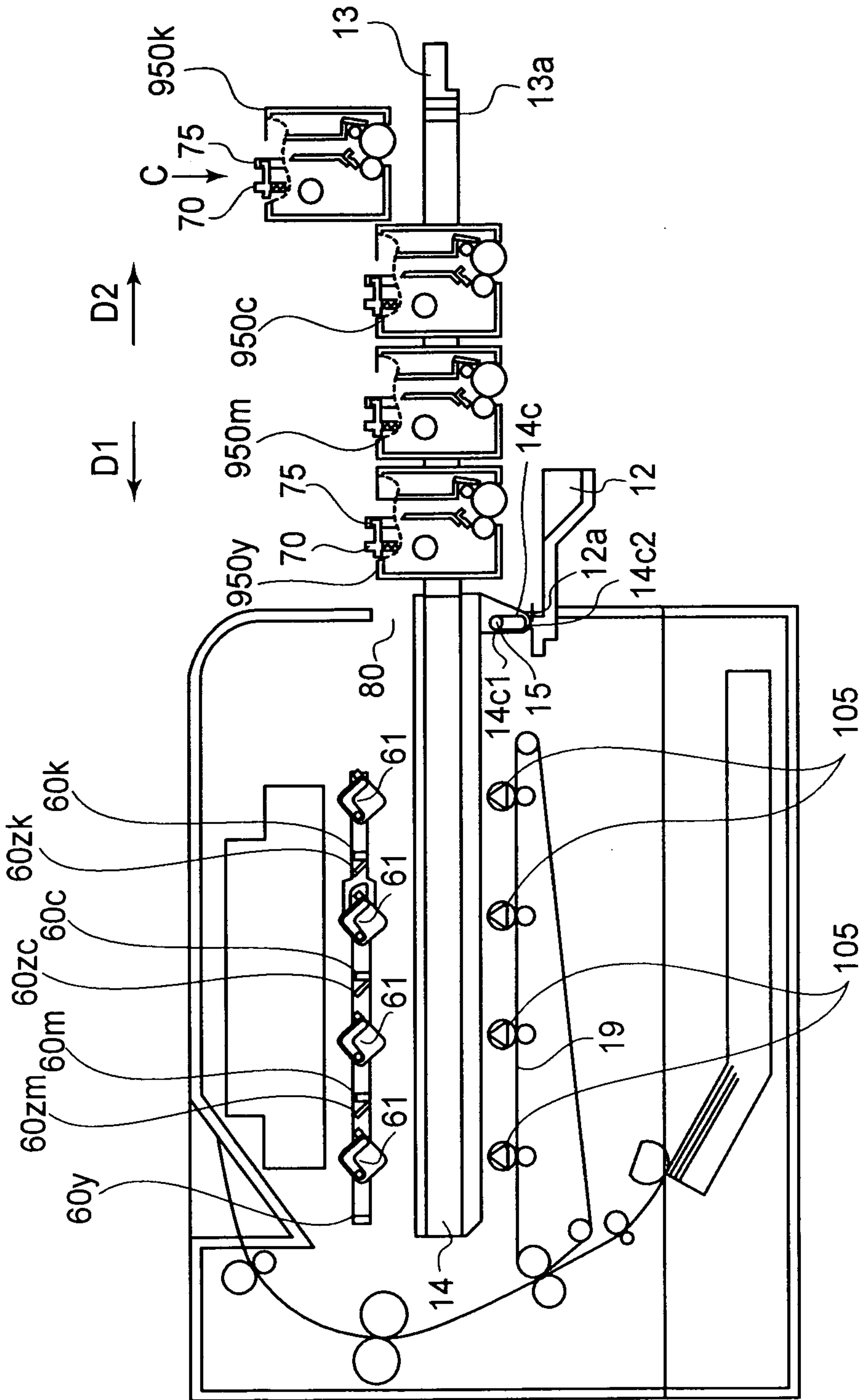


FIG. 40

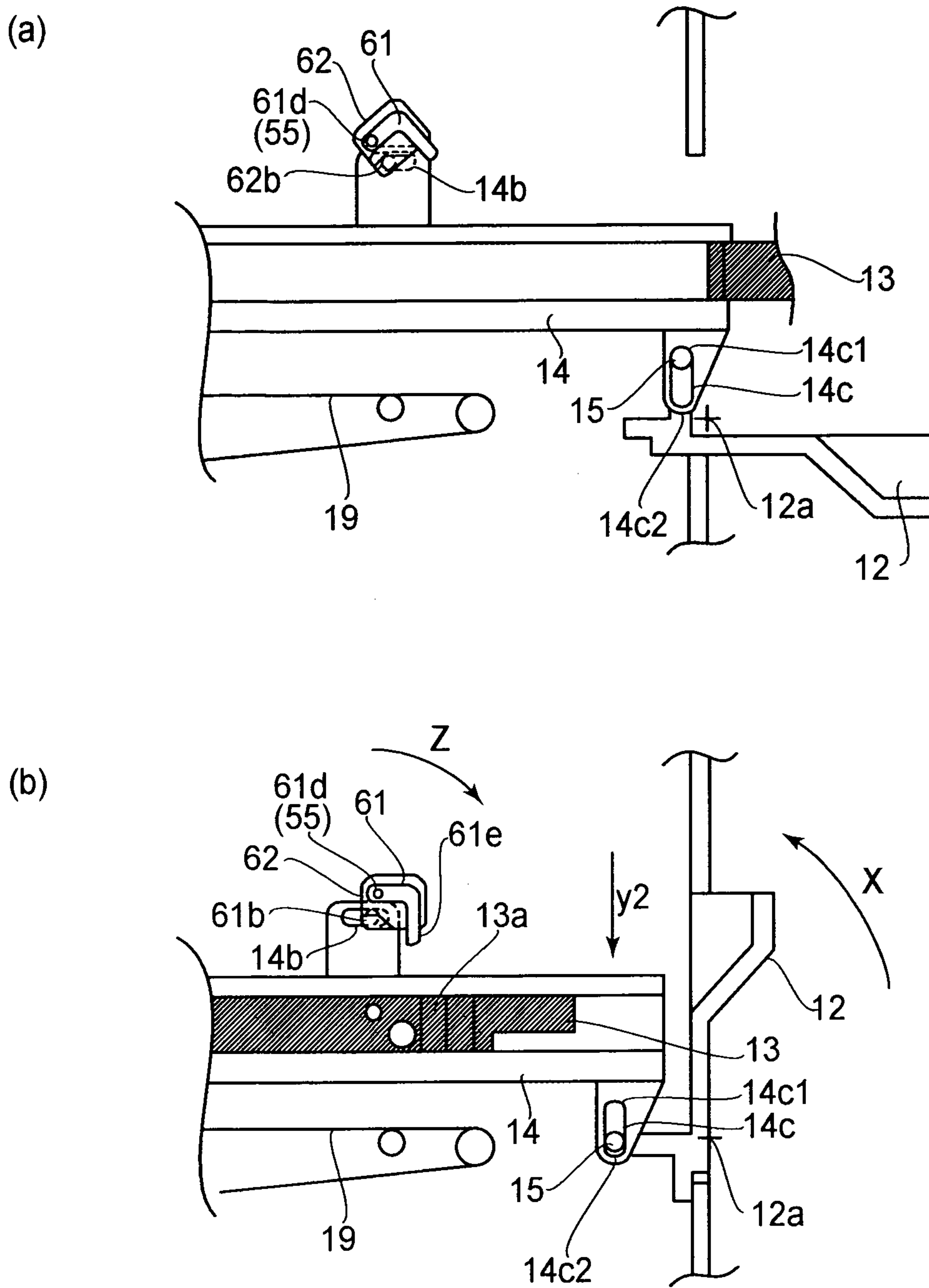


FIG. 41

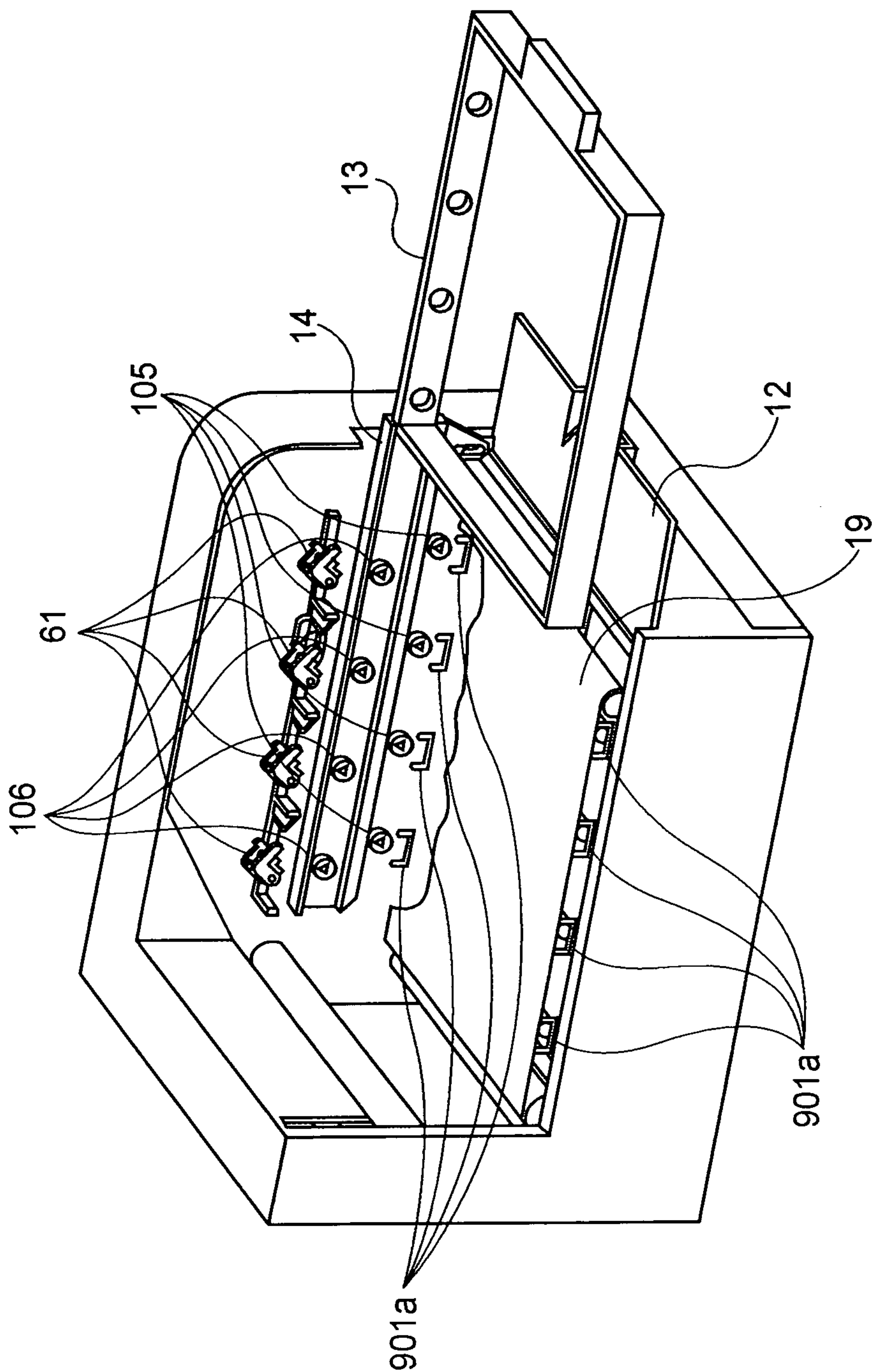


FIG. 42

34/34

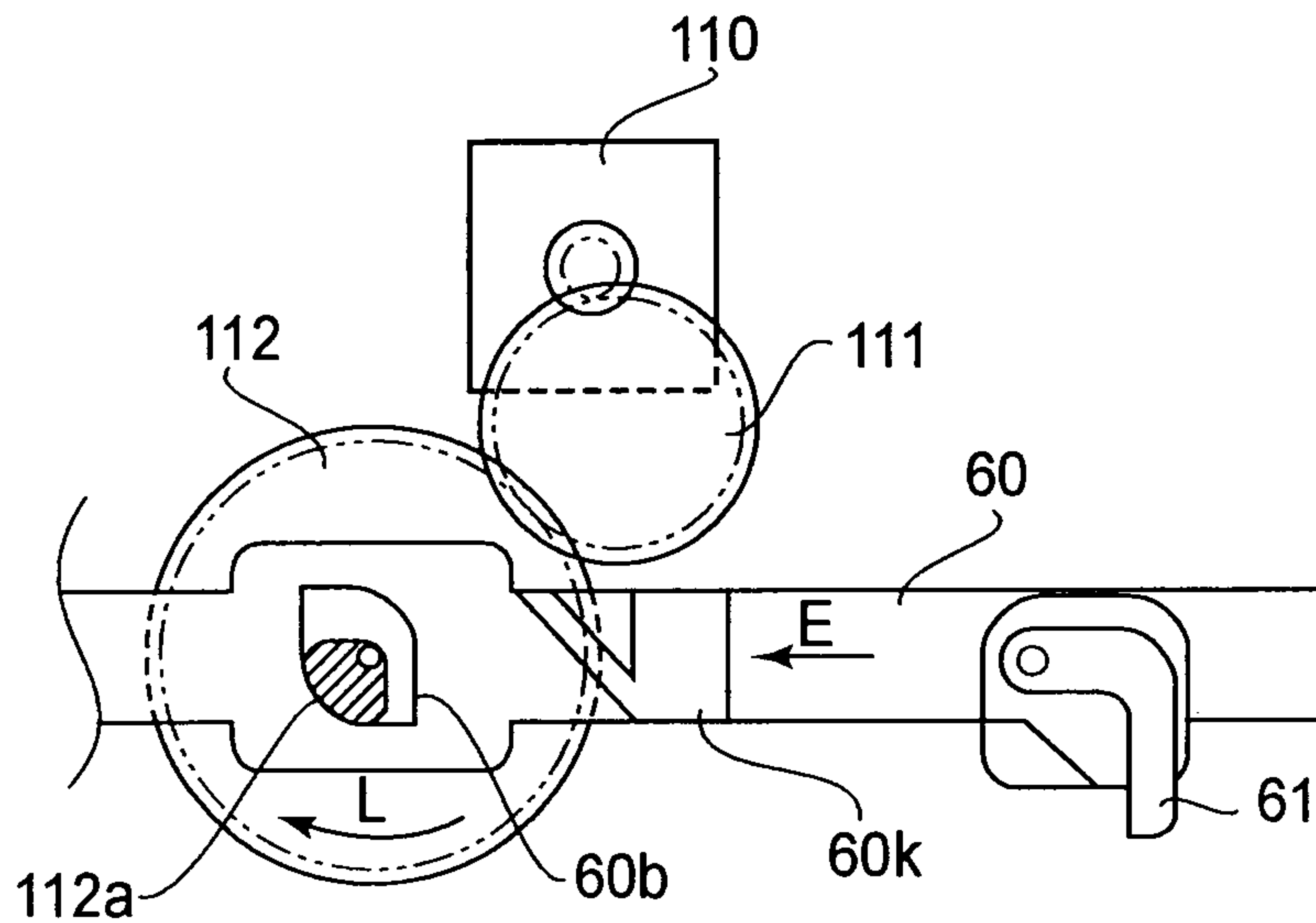


FIG. 43

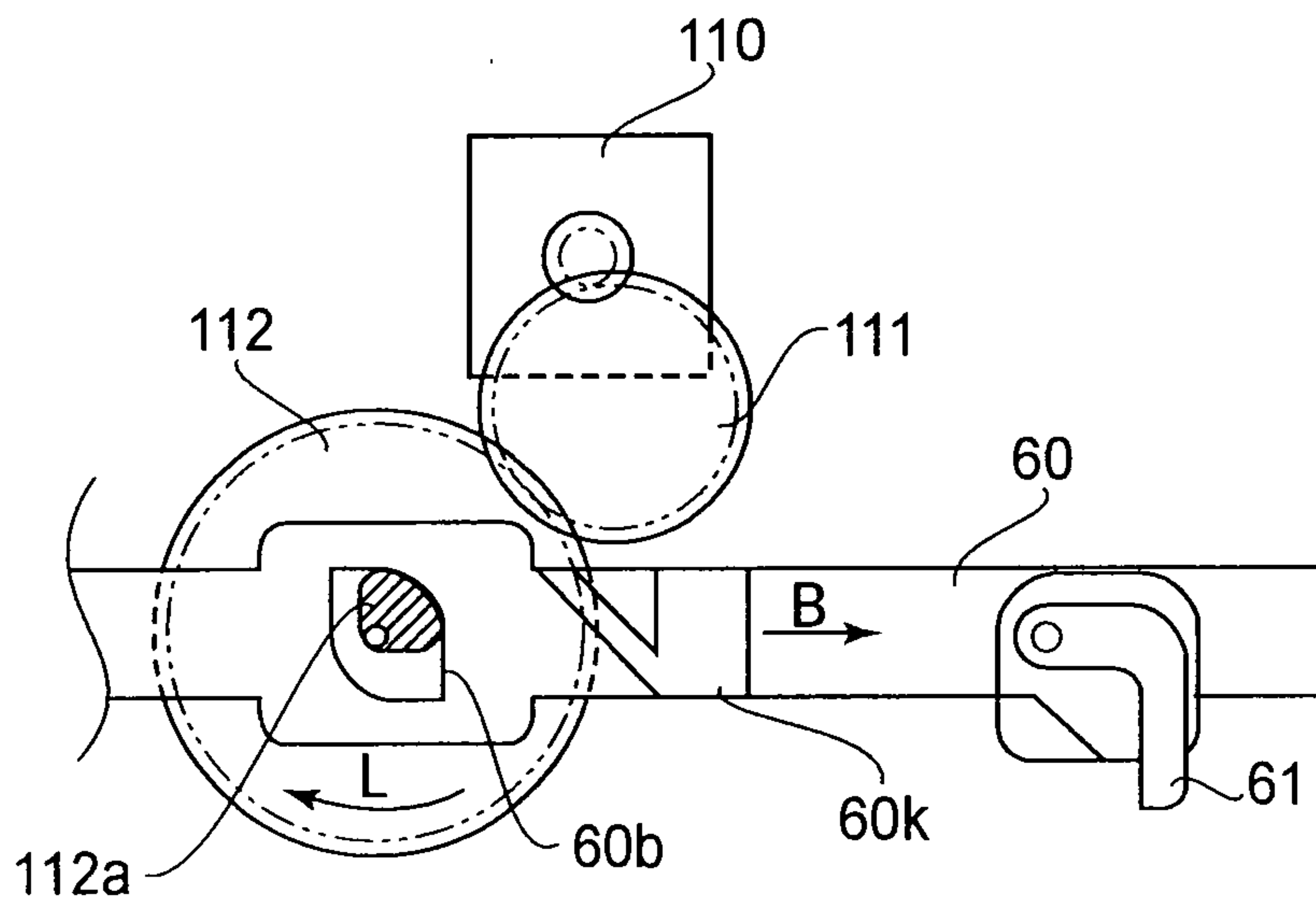


FIG. 44