



US00D903889S

(12) **United States Design Patent** (10) **Patent No.:** **US D903,889 S**
Luo et al. (45) **Date of Patent:** **** Dec. 1, 2020**

(54) **SKIN CARE APPARATUS**
(71) Applicant: **Shenzhen Hongwang Nicemay Electric Co., Ltd, Shenzhen (CN)**
(72) Inventors: **Dewei Luo, Shenzhen (CN); Kaiqiang Qiu, Shenzhen (CN)**
(73) Assignee: **SHENZHEN HONGWANG NICEMAY ELECTRIC CO., LTD, Shenzhen (CN)**
(**) Term: **15 Years**

D685,491	S	*	7/2013	Coral	D24/215
D725,788	S	*	3/2015	Matsushita	D24/211
D728,115	S	*	4/2015	Matsushita	D24/211
D756,527	S	*	5/2016	Cole	D24/200
D770,635	S	*	11/2016	Cole	D24/200
D844,797	S	*	4/2019	Matsushita	D24/211
D844,799	S	*	4/2019	Kim	D24/214
D845,496	S	*	4/2019	Cole	D24/200
D857,907	S	*	8/2019	Luo	D24/211
D858,786	S	*	9/2019	Luo	D24/214
D865,206	S	*	10/2019	Matsushita	D24/211
D866,789	S	*	11/2019	Yamazaki	D24/215
D868,277	S	*	11/2019	Yamazaki	D24/211
10,470,970	B2	*	11/2019	Nazarian	A61H 15/00

(Continued)

(21) Appl. No.: **29/687,003**
(22) Filed: **Apr. 9, 2019**

Primary Examiner — Cynthia Ramirez
Assistant Examiner — Michael A Maharajh

(30) **Foreign Application Priority Data**

Oct. 11, 2018 (CN) 2018 3 0567590

(51) **LOC (12) Cl.** **28-03**
(52) **U.S. Cl.**
USPC **D24/211**

(58) **Field of Classification Search**
USPC D24/200, 211, 212, 213, 214, 215
CPC A61H 7/003; A61H 7/007; A61H 15/00
See application file for complete search history.

(56) **References Cited**

U.S. PATENT DOCUMENTS

D457,643	S	*	5/2002	Qi	D24/214
D608,897	S	*	1/2010	Cole	D24/200
D611,159	S	*	3/2010	Cole	D24/200
D620,597	S	*	7/2010	Cole	D24/200
D638,132	S	*	5/2011	Cole	D24/200
D656,621	S	*	3/2012	Matsushita	D24/215
D666,304	S	*	8/2012	Matsushita	D24/215
D668,771	S	*	10/2012	Matsushita	D24/211
D669,998	S	*	10/2012	Matsushita	D24/215
D674,500	S	*	1/2013	Matsushita	D24/211

(57) **CLAIM**

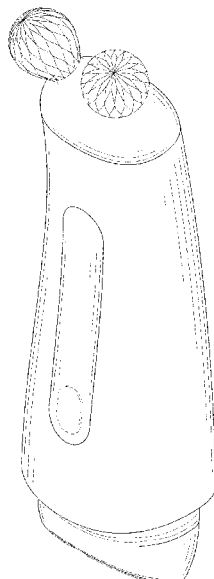
The ornamental design for a skin care apparatus, as shown and described.

DESCRIPTION

FIG. 1 is a perspective view of a skin care apparatus showing my new design;
FIG. 2 is another perspective view thereof;
FIG. 3 is a front elevational view thereof;
FIG. 4 is a rear elevational view thereof;
FIG. 5 is a left side elevational view thereof;
FIG. 6 is a right side elevational view thereof;
FIG. 7 is a top plan view thereof;
FIG. 8 is a bottom plan view thereof;
FIG. 9 is another top perspective view thereof; and,
FIG. 10 is a bottom perspective view thereof.

The broken lines in the drawings are for the purpose of illustrating portions of the skin care apparatus which form no part of the claimed design. The top lid and charging bottom cap shown in broken lines in FIGS. 9 and 10 are to show environment which form no part of the claimed design.

1 Claim, 10 Drawing Sheets



(56)

References Cited

U.S. PATENT DOCUMENTS

D872,294	S *	1/2020	Yu	D24/214
D887,572	S *	6/2020	Matsushita	D24/211
2014/0288473	A1 *	9/2014	Matsushita	A61H 15/00
				601/137
2018/0116903	A1 *	5/2018	Matsushita	A61H 15/00
2019/0008718	A1 *	1/2019	Matsushita	A61H 15/0092

* cited by examiner

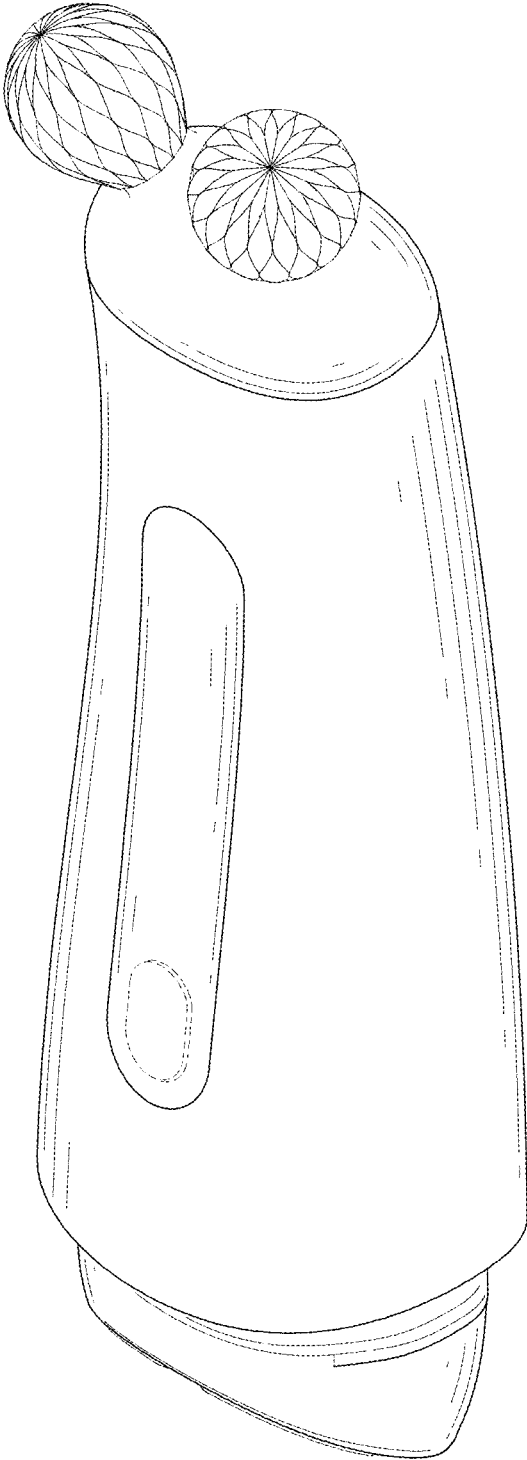


FIG. 1

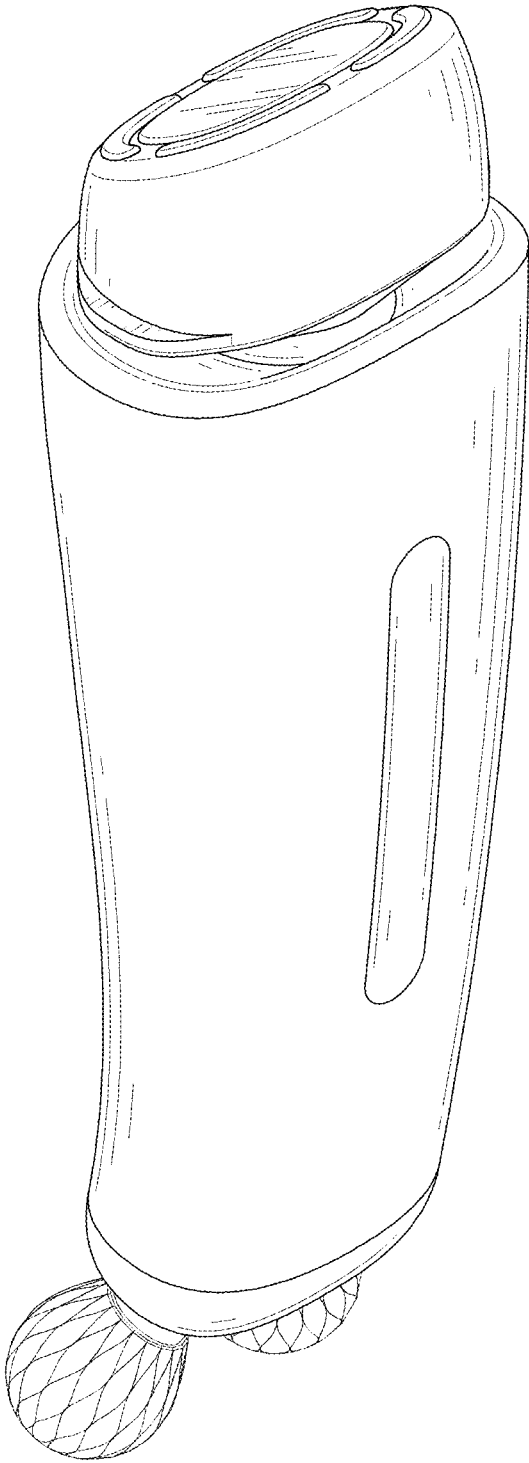


FIG. 2

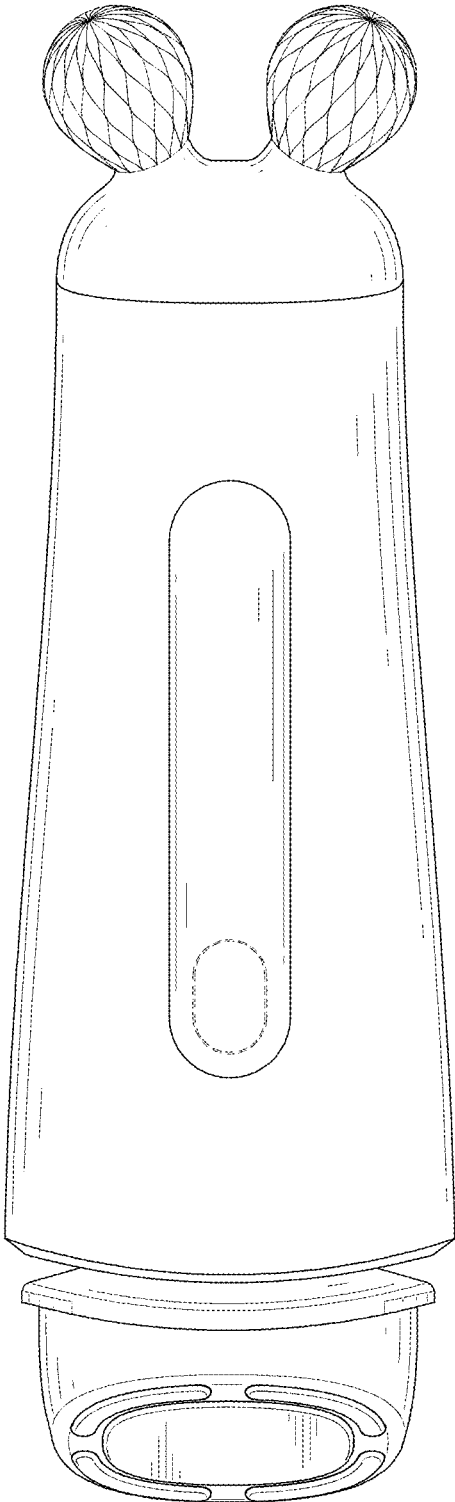


FIG. 3

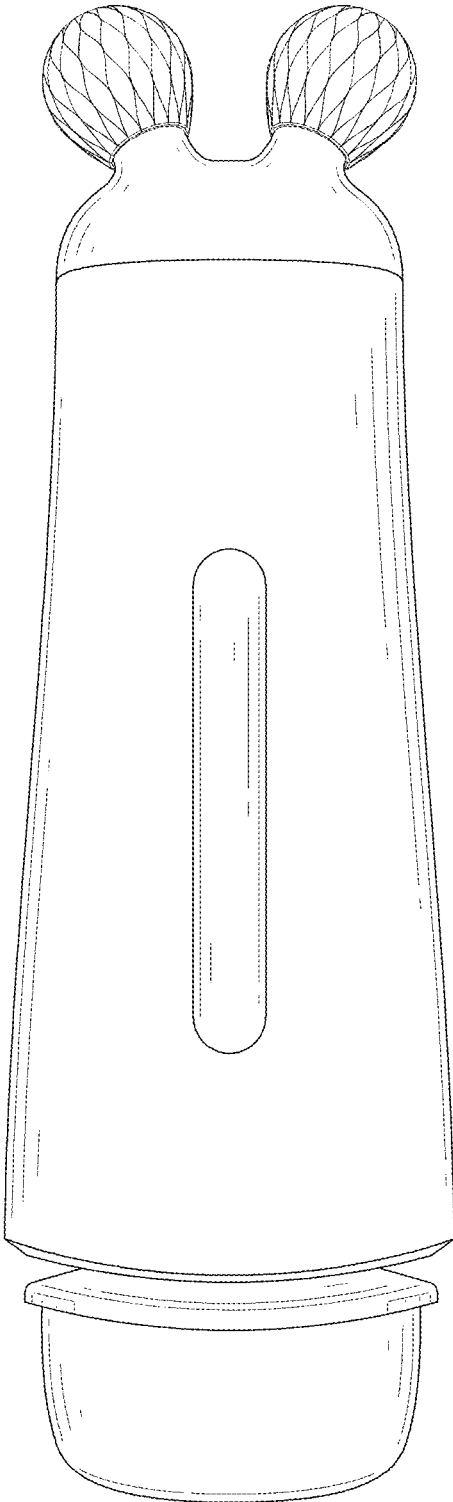


FIG. 4

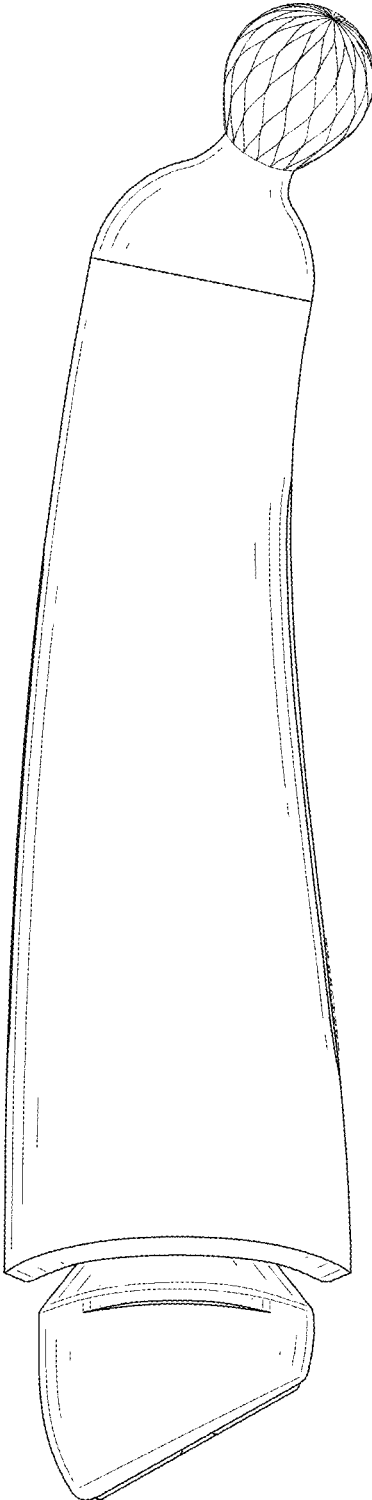


FIG. 5

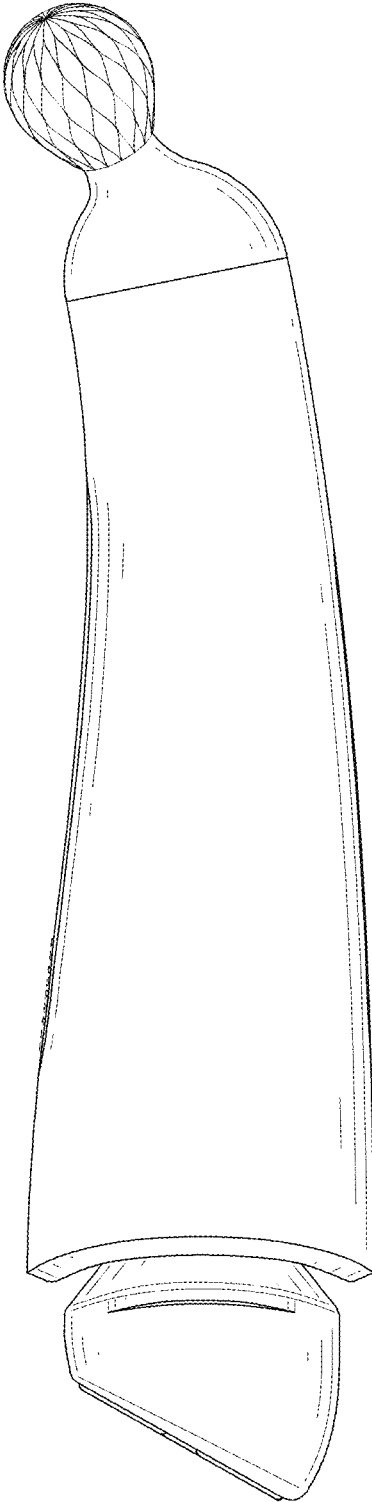


FIG. 6

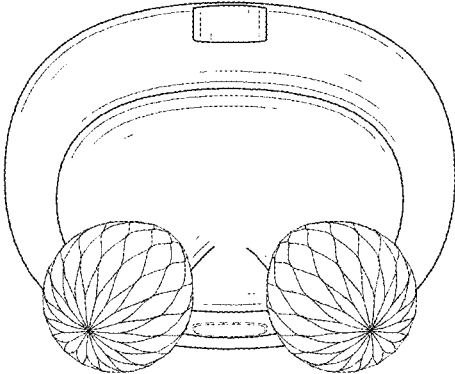


FIG. 7

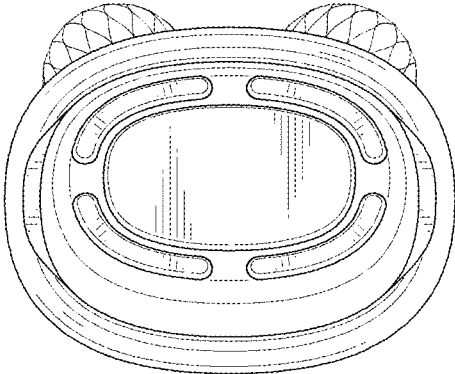


FIG. 8

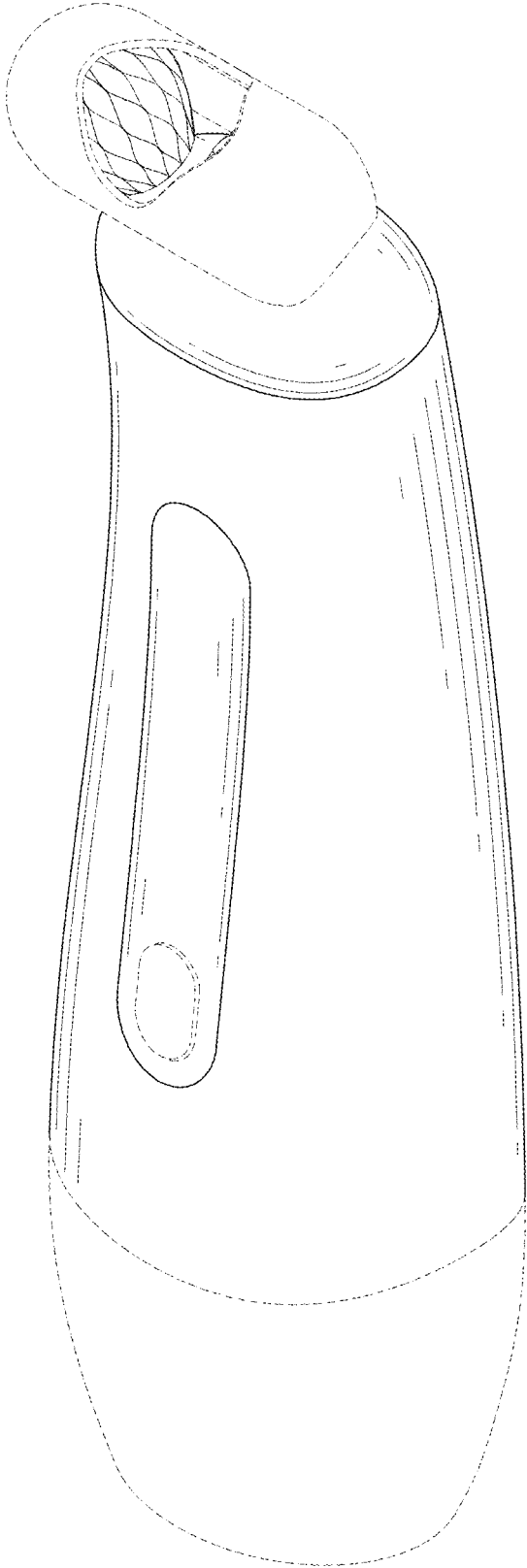


FIG. 9

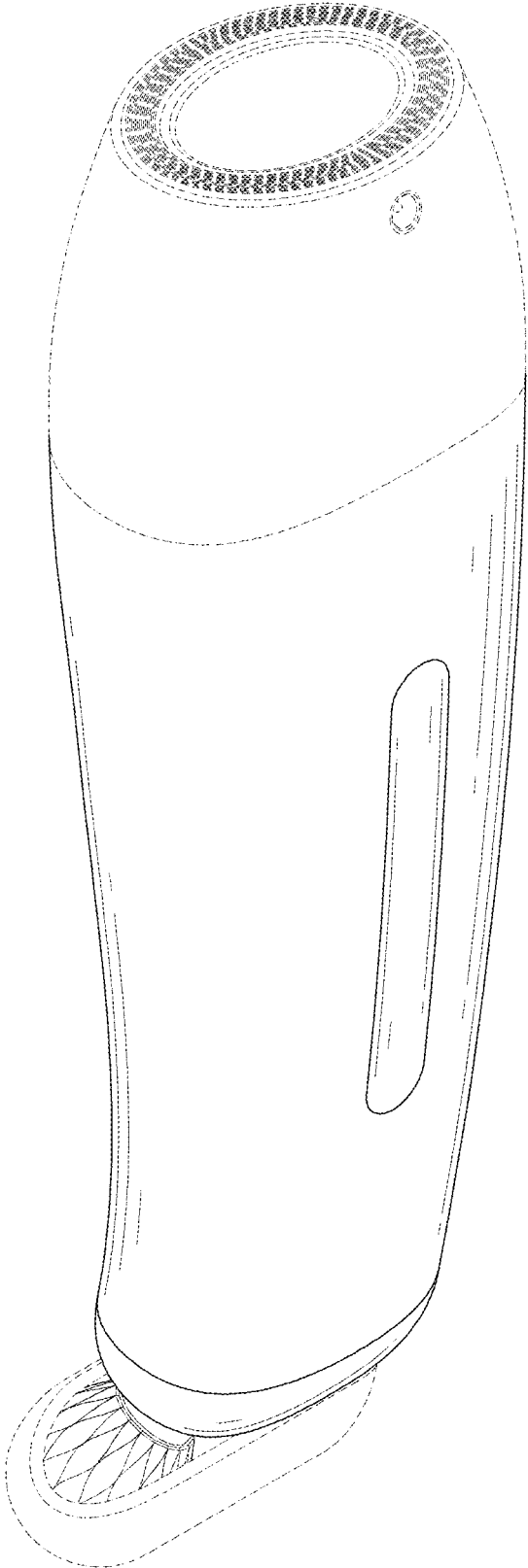


FIG. 10