



US00D633501S

(12) **United States Design Patent**  
**Davoren et al.**

(10) **Patent No.:** **US D633,501 S**

(45) **Date of Patent:** **\*\* Mar. 1, 2011**

(54) **HAND-HELD DATA COLLECTOR WITH  
REMOVABLE SCANNER**

4,268,721 A \* 5/1981 Nielson et al. .... 379/52  
D266,501 S \* 10/1982 Stefanik ..... D13/168

(75) Inventors: **Sean Davoren**, Burlington (CA); **Todd Henry**, Kleinburg (CA); **Dave Whitehouse**, Toronto (CA); **Scott Grant**, Toronto (CA); **Bob Johnston**, Cambridge (CA)

(Continued)

**OTHER PUBLICATIONS**

Houri, R. et al., abandoned U.S. Appl. No. 12/569,670, filed Sep. 29, 2009, titled "System and Method for Assigning Plurality of Locations to Individuals and Routing Individuals to Locations," non-published.

(Continued)

*Primary Examiner*—Susan Moon Lee

(74) *Attorney, Agent, or Firm*—Michael A. Rahman, Esq.; Storm LLP

(73) Assignee: **WIS International**, Mississauga, Ontario (CA)

(\*\*) Term: **14 Years**

(21) Appl. No.: **29/365,528**

(22) Filed: **Jul. 9, 2010**

(51) **LOC (9) Cl.** ..... **14-02**

(52) **U.S. Cl.** ..... **D14/426**; D14/429

(58) **Field of Classification Search** ..... D14/420,  
D14/426–430, 453, 346, 341, 347, 412, 138;  
D13/107, 184; 358/473; 235/462.43, 462.45,  
235/462.47, 462.48, 462.44, 462.46, 487,  
235/472.01, 472.02, 145 A, 145 R; D10/78;  
324/426; D3/273; 710/73; D18/7; 361/679;  
382/313, 321; 455/575.1, 561, 572; 345/156,  
345/168, 169, 172, 173, 87

See application file for complete search history.

(56) **References Cited**

**U.S. PATENT DOCUMENTS**

D206,004	S	*	10/1966	Perkins et al.	.....	D10/78
D224,596	S	*	8/1972	Winfrey et al.	.....	D10/78
D226,271	S	*	2/1973	Holtzman	.....	D10/78
D239,287	S	*	3/1976	Ault	.....	D14/341
D240,610	S	*	7/1976	Schwartz	.....	D10/78
D241,751	S	*	10/1976	Jensen et al.	.....	D14/130
4,007,443	A	*	2/1977	Bromberg et al.	.....	708/146
D248,946	S	*	8/1978	Koenig	.....	D14/429
D249,345	S	*	9/1978	Oliveira et al.	.....	D14/346
D250,294	S	*	11/1978	Rose	.....	D18/7
4,158,194	A	*	6/1979	McWaters et al.	.....	382/313
D257,560	S	*	11/1980	Jang	.....	D14/347

(57) **CLAIM**

The ornamental design for a hand-held data collector with removable scanner, as shown and described.

**DESCRIPTION**

FIG. 1 is an isometric view of the hand-held data collector with removable scanner.

FIG. 2 is a front view of the hand-held data collector with removable scanner of FIG. 1.

FIG. 3 is a rear view of the hand-held data collector with removable scanner of FIG. 1.

FIG. 4 is a right side view of the hand-held data collector with removable scanner of FIG. 1.

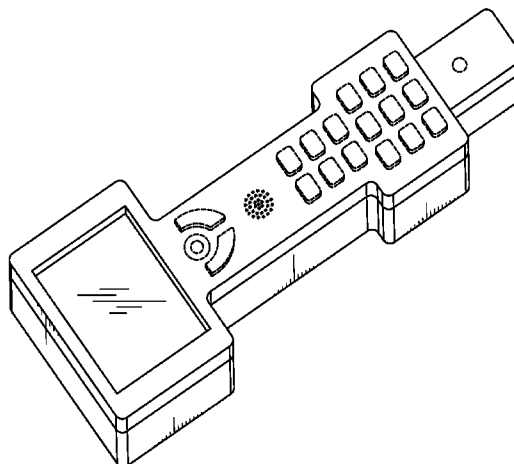
FIG. 5 is a left side view of the hand-held data collector with removable scanner of FIG. 1.

FIG. 6 is a top view of the hand-held data collector with removable scanner of FIG. 1; and,

FIG. 7 is a bottom view of the hand-held data collector with removable scanner of FIG. 1.

The broken lines showing portions of the hand-held data collector with removable scanner are included for the purpose of illustrating environmental structure and form no part of the claimed design.

**1 Claim, 4 Drawing Sheets**



U.S. PATENT DOCUMENTS

D277,462	S *	2/1985	Jacobsen et al. ....	D10/70	D386,152	S *	11/1997	Warneke .....	D14/347
D283,711	S *	5/1986	Deura et al. ....	D14/347	D391,234	S *	2/1998	Chacon et al. ....	D14/341
4,621,189	A *	11/1986	Kumar et al. ....	235/462.45	D392,636	S *	3/1998	Faulkner et al. ....	D14/144
4,696,189	A *	9/1987	Hochreuther .....	73/431	D393,601	S *	4/1998	Skiffington .....	D10/78
D292,401	S *	10/1987	Lee et al. ....	D14/188	D393,628	S *	4/1998	Ledbetter et al. ....	D13/168
D295,411	S *	4/1988	Cho et al. ....	D14/347	D393,631	S *	4/1998	Yotukura .....	D14/339
D297,429	S *	8/1988	Pedinielli et al. ....	D14/347	5,796,088	A *	8/1998	Wall .....	235/472.01
D298,922	S *	12/1988	Hinkle .....	D10/46.1	D398,903	S *	9/1998	Chacon et al. ....	D14/343
D299,235	S *	1/1989	Feger et al. ....	D14/347	5,831,819	A *	11/1998	Chacon et al. ....	361/679.56
D302,265	S *	7/1989	Siegner et al. ....	D14/347	D403,259	S *	12/1998	Tsubota et al. ....	D10/81
D302,269	S *	7/1989	Kelly .....	D14/374	D403,604	S *	1/1999	Tsubota et al. ....	D10/81
4,845,650	A *	7/1989	Meade et al. ....	101/66	D404,433	S *	1/1999	Au Yeung .....	D21/329
D305,884	S *	2/1990	Krichever et al. ....	D14/429	D413,537	S *	9/1999	Grossman et al. ....	D10/78
D308,359	S *	6/1990	Lauchnor et al. ....	D13/168	D414,470	S *	9/1999	Chacon et al. ....	D14/341
D311,699	S *	10/1990	Mo .....	D10/78	D417,445	S *	12/1999	Chacon et al. ....	D14/399
D312,622	S *	12/1990	Alden et al. ....	D14/347	D418,132	S *	12/1999	Zoiss et al. ....	D14/147
D313,563	S *	1/1991	Mieczkowski et al. ....	D10/78	6,039,256	A *	3/2000	Konosu et al. ....	235/462.43
4,983,818	A *	1/1991	Knowles .....	235/462.47	D429,226	S *	8/2000	Siddoway et al. ....	D14/347
D319,059	S *	8/1991	Divine .....	D14/168	6,097,606	A *	8/2000	Groves et al. ....	361/747
D322,610	S *	12/1991	Auerbach et al. ....	D14/218	D431,236	S *	9/2000	Read et al. ....	D14/149
D324,060	S *	2/1992	Huang .....	D16/135	D434,762	S *	12/2000	Ikenaga .....	D14/371
5,202,817	A *	4/1993	Koenck et al. ....	361/679.09	6,181,992	B1 *	1/2001	Gurne et al. ....	701/29
D336,619	S *	6/1993	Dushane et al. ....	D10/78	6,244,512	B1 *	6/2001	Koenck et al. ....	235/472.01
D338,002	S *	8/1993	Kapac et al. ....	D14/429	D447,141	S *	8/2001	Itoh et al. ....	D14/385
D339,994	S *	10/1993	Rohmann .....	D10/78	D477,598	S *	7/2003	Mathiowetz et al. ....	D14/347
D340,034	S *	10/1993	Hofstetter et al. ....	D14/426	6,658,915	B2 *	12/2003	Sunshine et al. ....	73/23.2
D340,236	S *	10/1993	Sandor .....	D14/429	D490,731	S *	6/2004	Bradford .....	D10/78
D340,237	S *	10/1993	Swartz .....	D14/429	D491,590	S *	6/2004	Singer et al. ....	D16/135
D342,723	S *	12/1993	Fenkart .....	D14/347	D512,698	S *	12/2005	Augenbraun et al. ....	D14/130
D347,590	S *	6/1994	Schwan .....	D10/78	D522,504	S *	6/2006	Steiger et al. ....	D14/347
D349,604	S *	8/1994	Kumar et al. ....	D14/347	7,077,328	B2 *	7/2006	Krishnaswamy et al. ....	235/472.01
D350,118	S *	8/1994	Kumar et al. ....	D14/347	D532,381	S *	11/2006	Velazquez .....	D13/168
D350,119	S *	8/1994	Kumar et al. ....	D14/343	D535,296	S *	1/2007	Boulware .....	D14/385
D350,334	S *	9/1994	Kumar et al. ....	D14/429	D548,119	S *	8/2007	Hernandez, Jr. ....	D10/78
D350,335	S *	9/1994	Kumar et al. ....	D14/347	D560,527	S *	1/2008	Rich et al. ....	D10/78
D350,336	S *	9/1994	Kumar et al. ....	D14/429	D574,380	S *	8/2008	Freed et al. ....	D14/426
D350,962	S *	9/1994	Reardon et al. ....	D14/218	D574,831	S *	8/2008	Kennedy et al. ....	D14/426
D352,716	S *	11/1994	Shindo .....	D14/217	D589,905	S *	4/2009	Lin et al. ....	D13/168
D357,240	S *	4/1995	Kitazumi et al. ....	D14/429	D589,928	S *	4/2009	Haspil et al. ....	D14/147
D357,876	S *	5/1995	McConnell .....	D10/78	D594,361	S *	6/2009	Miller et al. ....	D10/78
D357,917	S *	5/1995	Ito et al. ....	D14/218	D594,362	S *	6/2009	Miller .....	D10/78
5,418,684	A *	5/1995	Koenck et al. ....	235/472.02	D611,943	S *	3/2010	Boyd .....	D14/346
D361,288	S *	8/1995	Chandwick et al. ....	D10/78	7,712,669	B2 *	5/2010	Mahany et al. ....	235/472.02
D363,470	S *	10/1995	Yamamoto .....	D14/347	2006/0085293	A1	4/2006	Melucci .....	
5,471,042	A *	11/1995	Kirkeby et al. ....	235/472.02	2006/0095347	A1	5/2006	Melucci et al. ....	
5,485,504	A *	1/1996	Ohnsorge .....	455/566	2006/0217876	A1	9/2006	Houri et al. ....	
D369,786	S *	5/1996	Hagerty .....	D14/429	2007/0262142	A1	11/2007	Whitehouse et al. ....	
5,541,840	A *	7/1996	Gurne et al. ....	701/33					
D374,183	S *	10/1996	Skinner et al. ....	D10/78					
D374,221	S *	10/1996	Ruiz .....	D14/426					
D381,975	S *	8/1997	Trausch et al. ....	D14/426					
D382,269	S *	8/1997	Terk et al. ....	D14/204					
D383,124	S *	9/1997	Lanzaro et al. ....	D14/429					
5,679,943	A *	10/1997	Schultz et al. ....	235/472.02					

OTHER PUBLICATIONS

Pending U.S. Appl. No. 29/365,254, filed Jul. 9, 2010, titled "Hand-held Data Collector With Removable Scanner" and having common inventors with the present design patent application.

\* cited by examiner

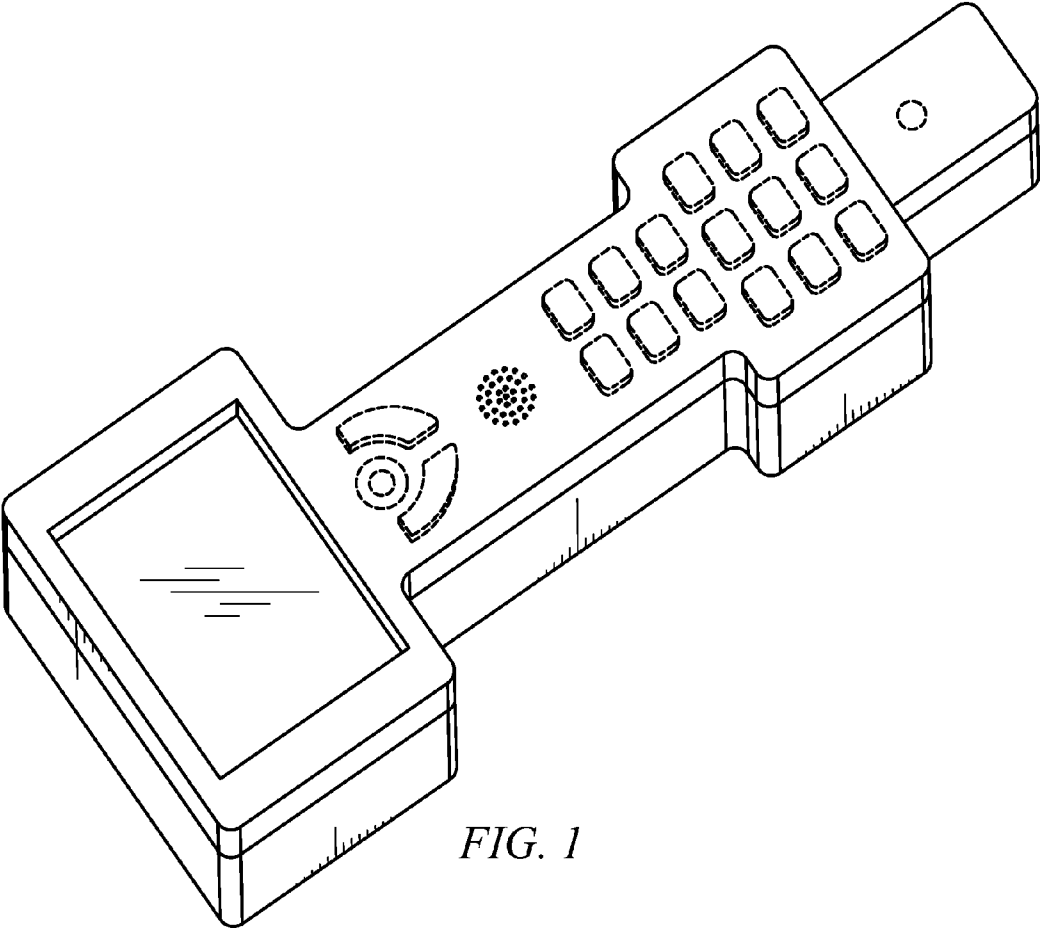


FIG. 1

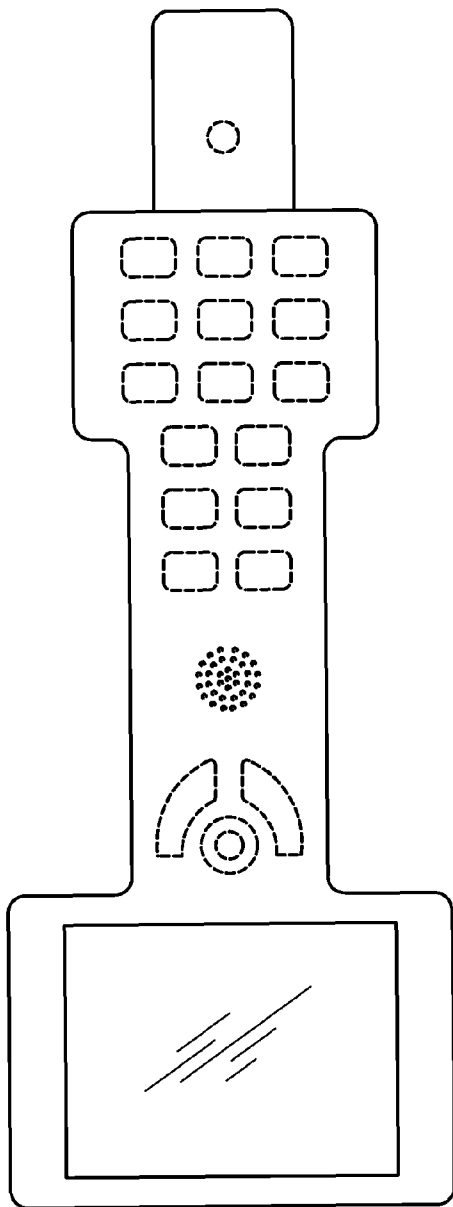


FIG. 2

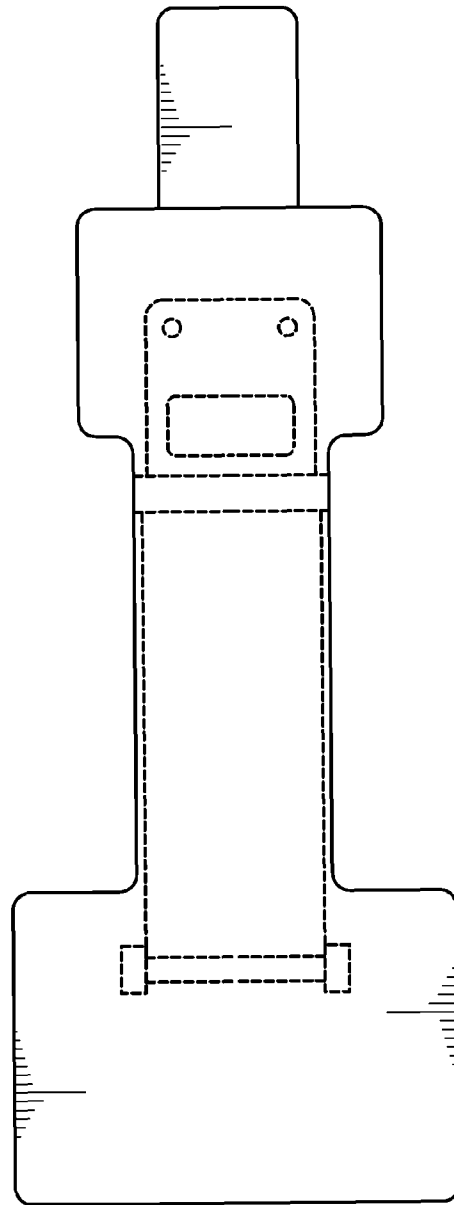


FIG. 3

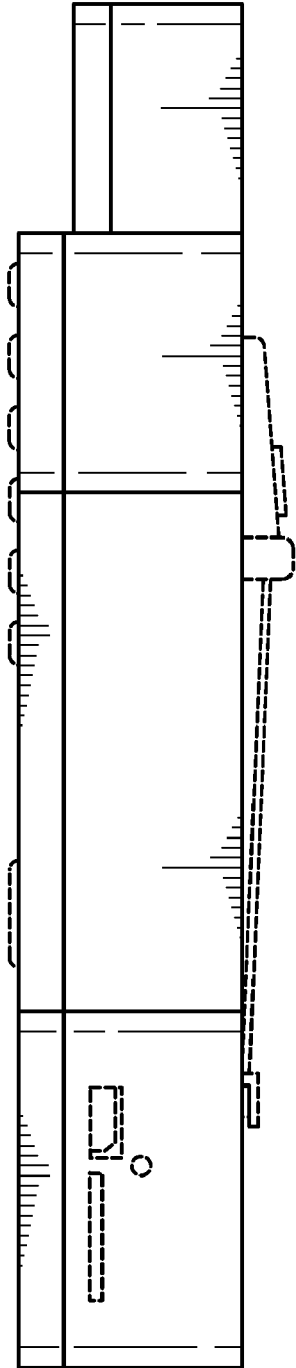


FIG. 4

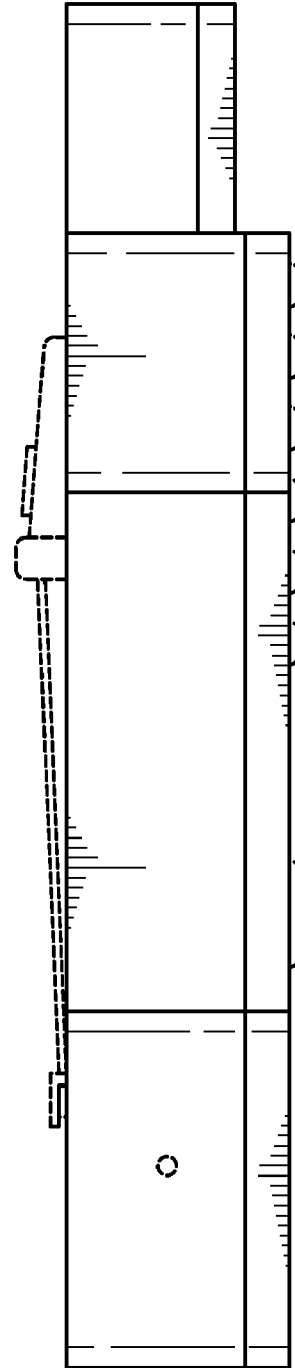
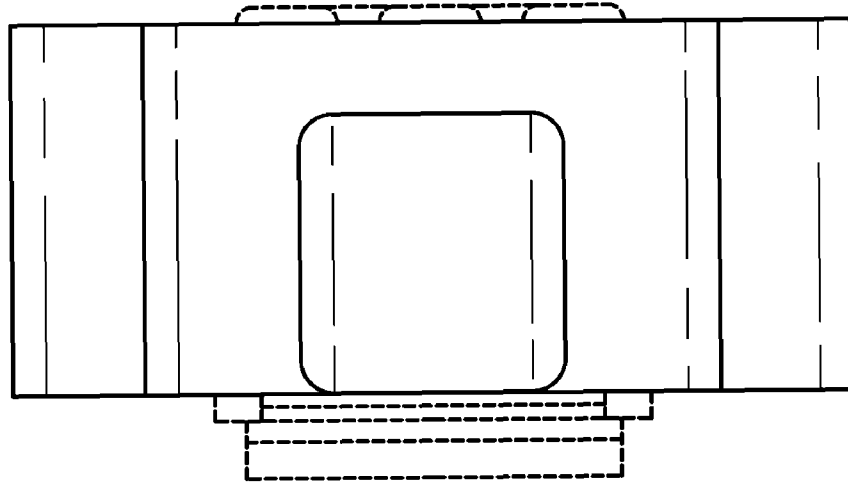
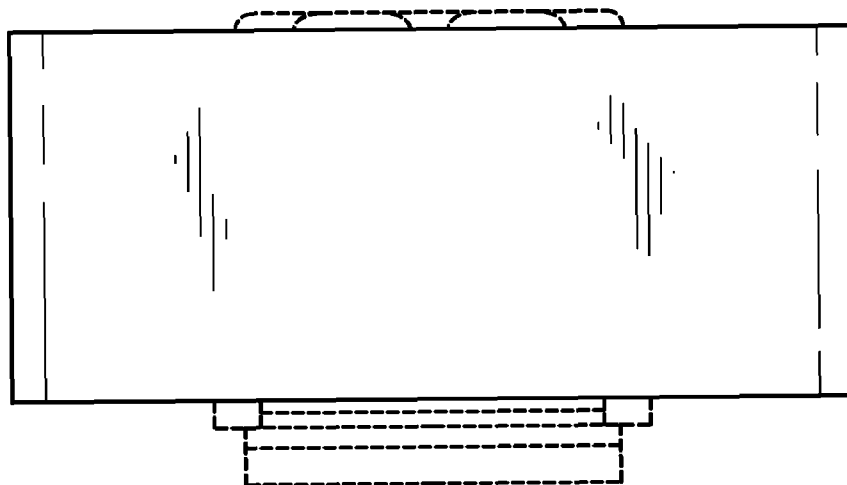


FIG. 5



*FIG. 6*



*FIG. 7*