

(19) World Intellectual Property Organization
International Bureau



(43) International Publication Date
22 June 2006 (22.06.2006)

PCT

(10) International Publication Number
WO 2006/064377 A3

- (51) International Patent Classification:
B28B 19/00 (2006.01)
- (21) International Application Number:
PCT/IB2005/004064
- (22) International Filing Date: 13 October 2005 (13.10.2005)
- (25) Filing Language: English
- (26) Publication Language: English
- (30) Priority Data:
10/968,680 19 October 2004 (19.10.2004) US
- (71) Applicant (for all designated States except US): BPB PLC. [GB/GB]; Sefton Park, Stoke Poges SL2 4JS (GB).

AT, AU, AZ, BA, BB, BG, BR, BW, BY, BZ, CA, CH, CN, CO, CR, CU, CZ, DE, DK, DM, DZ, EC, EE, EG, ES, FI, GB, GD, GE, GH, GM, HR, HU, ID, IL, IN, IS, JP, KE, KG, KM, KP, KR, KZ, LC, LK, LR, LS, LT, LU, LV, LY, MA, MD, MG, MK, MN, MW, MX, MZ, NA, NG, NI, NO, NZ, OM, PG, PH, PL, PT, RO, RU, SC, SD, SE, SG, SK, SL, SM, SY, TJ, TM, TN, TR, TT, TZ, UA, UG, US, UZ, VC, VN, YU, ZA, ZM, ZW.

- (72) Inventors; and
- (75) Inventors/Applicants (for US only): HENNIS, Mark, E. [US/US]; 1795 Woodridge Drive, Clearwater, FL 33765 (US). HAUBER, Robert, J. [US/US]; 19024 Fishermans Bend Drive, Lutz, FL 33558 (US). FAHEY, Michael, P. [US/US]; 9232 Treasure Lane NE, St. Petersburg, FL 33702 (US). CHOWNING, Matthew, J. [US/US]; 2120 Gentle Street, Cody, WY 82414 (US). BOYDSTON, Gerald, D. [US/US]; 124 siddle Drive, Cody, WY 82414 (US). STUART, Troy, R. [US/US]; 2320 Steadman St., Cody, WY 82414 (US).

(84) Designated States (unless otherwise indicated, for every kind of regional protection available): ARIPO (BW, GH, GM, KE, LS, MW, MZ, NA, SD, SL, SZ, TZ, UG, ZM, ZW), Eurasian (AM, AZ, BY, KG, KZ, MD, RU, TJ, TM), European (AT, BE, BG, CH, CY, CZ, DE, DK, EE, ES, FI, FR, GB, GR, HU, IE, IS, IT, LT, LU, LV, MC, NL, PL, PT, RO, SE, SI, SK, TR), OAPI (BF, BJ, CF, CG, CI, CM, GA, GN, GQ, GW, ML, MR, NE, SN, TD, TG).

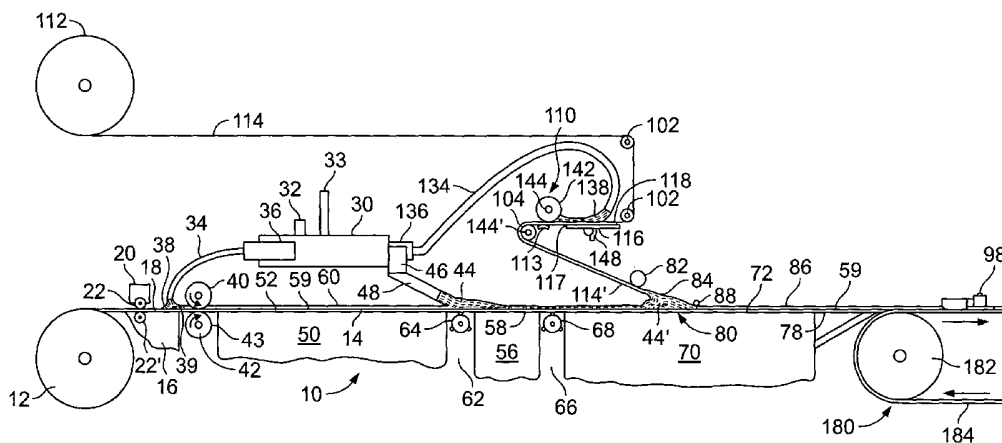
Published:
— with international search report
— before the expiration of the time limit for amending the claims and to be republished in the event of receipt of amendments

(88) Date of publication of the international search report:
21 September 2006

- (81) Designated States (unless otherwise indicated, for every kind of national protection available): AE, AG, AL, AM,

For two-letter codes and other abbreviations, refer to the "Guidance Notes on Codes and Abbreviations" appearing at the beginning of each regular issue of the PCT Gazette.

(54) Title: METHOD FOR TARGETED DELIVERY OF ADDITIVES TO VARYING LAYERS IN A GLASS REINFORCED GYPSUM PANEL AND METHOD OF MANUFACTURE



(57) Abstract: A method of manufacture of multilayer gypsum board, and a gypsum additive delivery system, including wet gypsum board passing through a board forming station in which additives are delivered to one or more layers of a multi layered gypsum board panels, such as engineered polymers, providing a better and more water resistance surface. Preferably, the gypsum board has a first layer of a mixture of set gypsum having an outer surface and a polymeric compound or wax emulsion additive entrained therein and impregnated in a thin sheet of randomly aligned inorganic fibers to essentially encase the core gypsum within two facing layers.

WO 2006/064377 A3

INTERNATIONAL SEARCH REPORT

PCT/IB2005/004064

A. CLASSIFICATION OF SUBJECT MATTER
 INV. B28B19/00

According to International Patent Classification (IPC) or to both national classification and IPC

B. FIELDS SEARCHED

Minimum documentation searched (classification system followed by classification symbols)
 B28B

Documentation searched other than minimum documentation to the extent that such documents are included in the fields searched

Electronic data base consulted during the international search (name of data base and, where practical, search terms used)

EPO-Internal

C. DOCUMENTS CONSIDERED TO BE RELEVANT

Category*	Citation of document, with indication, where appropriate, of the relevant passages	Relevant to claim No.
X	US 2002/095893 A1 (WALTERS JOHN ET AL) 25 July 2002 (2002-07-25) paragraph [0014]; figure 1	1, 3, 11, 12
X	GB 1 146 506 A (GENERAL PATENT LENNART WALLEN) 26 March 1969 (1969-03-26) page 2, line 47 - line 84; figure 1	1, 3
A	GB 490 667 A (VICTOR LEFEBURE; IMPERIAL CHEMICAL INDUSTRIES LIMITED) 18 August 1938 (1938-08-18) claims 1, 2	1
A	DE 878 837 C (KULT FRITZ) 8 June 1953 (1953-06-08) claim 1; figure 1	1

Further documents are listed in the continuation of Box C.

See patent family annex.

* Special categories of cited documents :

- *A* document defining the general state of the art which is not considered to be of particular relevance
- *E* earlier document but published on or after the international filing date
- *L* document which may throw doubts on priority claim(s) or which is cited to establish the publication date of another citation or other special reason (as specified)
- *O* document referring to an oral disclosure, use, exhibition or other means
- *P* document published prior to the international filing date but later than the priority date claimed

- *T* later document published after the international filing date or priority date and not in conflict with the application but cited to understand the principle or theory underlying the invention
- *X* document of particular relevance; the claimed invention cannot be considered novel or cannot be considered to involve an inventive step when the document is taken alone
- *Y* document of particular relevance; the claimed invention cannot be considered to involve an inventive step when the document is combined with one or more other such documents, such combination being obvious to a person skilled in the art.
- *&* document member of the same patent family

Date of the actual completion of the international search

27 July 2006

Date of mailing of the international search report

03/08/2006

Name and mailing address of the ISA/
 European Patent Office, P.B. 5818 Patentlaan 2
 NL - 2280 HV Rijswijk
 Tel. (+31-70) 340-2040, Tx. 31 651 epo nl,
 Fax: (+31-70) 340-3016

Authorized officer

Boone, J

INTERNATIONAL SEARCH REPORT

PCT/IB2005/004064

Patent document cited in search report	Publication date	Patent family member(s)	Publication date
US 2002095893	A1	25-07-2002	AT 226994 T 15-11-2002
			AU 716032 B2 17-02-2000
			AU 4022897 A 19-03-1998
			BR 9713189 A 03-11-1999
			CA 2264594 A1 05-03-1998
			CN 1232519 A 20-10-1999
			CY 2335 A 06-02-2004
			CZ 9900667 A3 15-12-1999
			DE 69716748 D1 05-12-2002
			DE 69716748 T2 03-07-2003
			DK 922146 T3 03-03-2003
			EP 0922146 A1 16-06-1999
			ES 2186919 T3 16-05-2003
			GB 2316693 A 04-03-1998
			WO 9809033 A1 05-03-1998
			HK 1020362 A1 06-06-2003
			HU 9904295 A2 28-08-2000
			IL 128747 A 25-07-2002
			JP 2000517388 T 26-12-2000
			NO 990960 A 20-04-1999
NZ 334380 A 25-08-2000			
GB 1146506	A	26-03-1969	AT 278623 B 10-02-1970
			BE 678956 A 16-09-1966
			DE 1285379 B 12-12-1968
			FR 1474530 A 24-03-1967
			NL 6604529 A 06-10-1966
			NO 119131 B 23-03-1970
GB 490667	A	18-08-1938	NONE
DE 878837	C	08-06-1953	NONE