



(12) **United States Design Patent**
Mura

(10) **Patent No.:** **US D816,134 S**
(45) **Date of Patent:** **** Apr. 24, 2018**

(54) **CUTTING INSERT**

(71) Applicant: **Mitsubishi Hitachi Tool Engineering, Ltd., Tokyo (JP)**

(72) Inventor: **Hisanori Mura, Chiba (JP)**

(73) Assignee: **Mitsubishi Hitachi Tool Engineering, Ltd., Tokyo (JP)**

(**) Term: **15 Years**

(21) Appl. No.: **29/600,382**

(22) Filed: **Apr. 12, 2017**

(30) **Foreign Application Priority Data**

Mar. 17, 2017 (JP) 2017-005536

(51) **LOC (11) Cl.** **15-03**

(52) **U.S. Cl.**
USPC **D15/139**

(58) **Field of Classification Search**

USPC D15/124-144; D8/70, 90, 98, 120
CPC B23C 2200/0411; B23C 2200/0416; B23C 2200/0433; B23C 2200/164; B23C 2200/361; B23C 2210/0457; B23C 5/006; B23C 2200/168; B23C 2210/163; B23C 2226/125; B23C 5/10; B23C 2200/081; B23C 2200/087; B23C 2200/161; B23C 2200/206; B23C 2210/02; B23C 2210/03; B23C 2210/166; B23C 2210/50; B23C 2226/315; B23C 5/2208; B23C 5/2472; B23C 2200/0477; B23C 2200/0483; B23C 2200/083; B23C 2200/121; B23C 2200/362; B23C 2210/0428; B23C 2210/0435; B23C 2210/16; B23C 2220/36; B23C 2220/44; B23C 2240/08; B23C 2250/12; B23C 2270/06; B23C 5/2204; B23C 5/2213; B23C 5/2247; B23C 5/2427; B23C 2200/0422; B23C 2200/08; B23C 2200/086; B23C 2200/123

See application file for complete search history.

(56) **References Cited**

U.S. PATENT DOCUMENTS

5,207,538	A *	5/1993	Satran	B23C 5/2213	407/113
5,207,748	A *	5/1993	Katbi	B23B 27/143	407/114
D347,642	S *	6/1994	Lindberg	D15/139	
D409,633	S *	5/1999	Bernadic	D15/139	
D414,502	S *	9/1999	Kasperik	D15/139	
6,142,716	A *	11/2000	Jordberg	B23C 5/202	407/114
D486,505	S *	2/2004	Arvidsson	D15/139	
D487,281	S *	3/2004	Roman	D15/139	
D503,181	S *	3/2005	Kasperik	D15/139	
D555,684	S *	11/2007	Waggle	D15/139	
D559,286	S *	1/2008	Waggle	D15/139	
D573,164	S *	7/2008	Nitzsche	D15/139	
D603,433	S *	11/2009	Zastrozynski	D15/139	

(Continued)

Primary Examiner — Ian Simmons

Assistant Examiner — Khawaja Anwar

(74) *Attorney, Agent, or Firm* — Banner & Witcoff, Ltd.

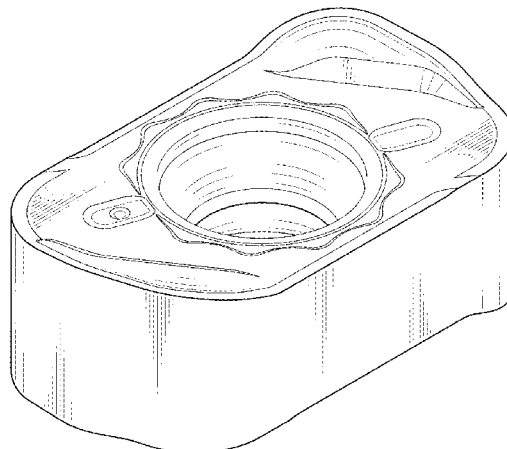
(57) **CLAIM**

The ornamental design for a cutting insert, as shown and described.

DESCRIPTION

FIG. 1 is a perspective view from the top side of a cutting insert.
FIG. 2 is a perspective view from the bottom side thereof.
FIG. 3 is a top plan view thereof.
FIG. 4 is a bottom plan view thereof.
FIG. 5 is a front elevation view thereof.
FIG. 6 is a rear elevation view thereof.
FIG. 7 is a left side view thereof; and,
FIG. 8 is a right side elevation view thereof.

1 Claim, 8 Drawing Sheets



(56)

References Cited

U.S. PATENT DOCUMENTS

D621,429	S *	8/2010	Zastrozynski	D15/139
D655,731	S *	3/2012	Cox	B02C 18/145
					D15/139
D676,071	S *	2/2013	Cox	D15/139
D676,072	S *	2/2013	Cox	D15/139
D700,225	S *	2/2014	Waggle	D15/139
D705,281	S *	5/2014	Heinasenaho	D15/139
8,834,075	B2 *	9/2014	Choi	B23C 5/08
					407/113
D715,840	S *	10/2014	Park	D15/139
8,950,984	B2 *	2/2015	Choi	B23C 5/202
					407/113
D736,841	S *	8/2015	Jung	D15/139
D738,412	S *	9/2015	Choi	D15/139
D739,449	S *	9/2015	Lefsrud	D15/139
D741,923	S *	10/2015	Jung	D15/139
D748,703	S *	2/2016	Nam	D15/139
D752,664	S *	3/2016	Jung	D15/139
D805,566	S *	12/2017	Oh	D15/139

* cited by examiner

FIG. 1

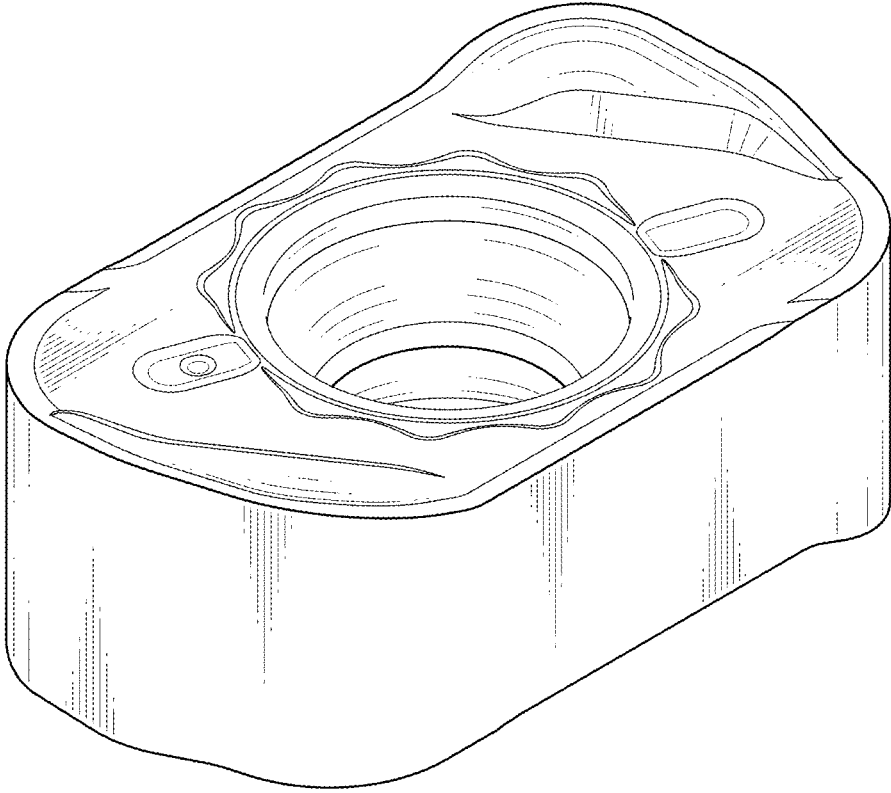


FIG. 2

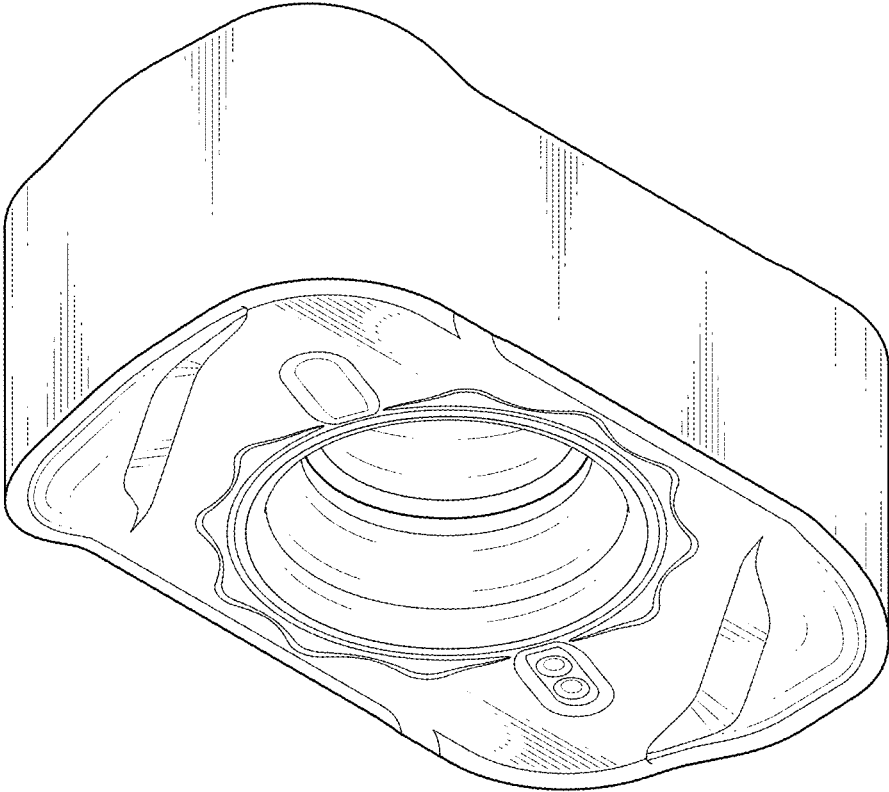


FIG. 3

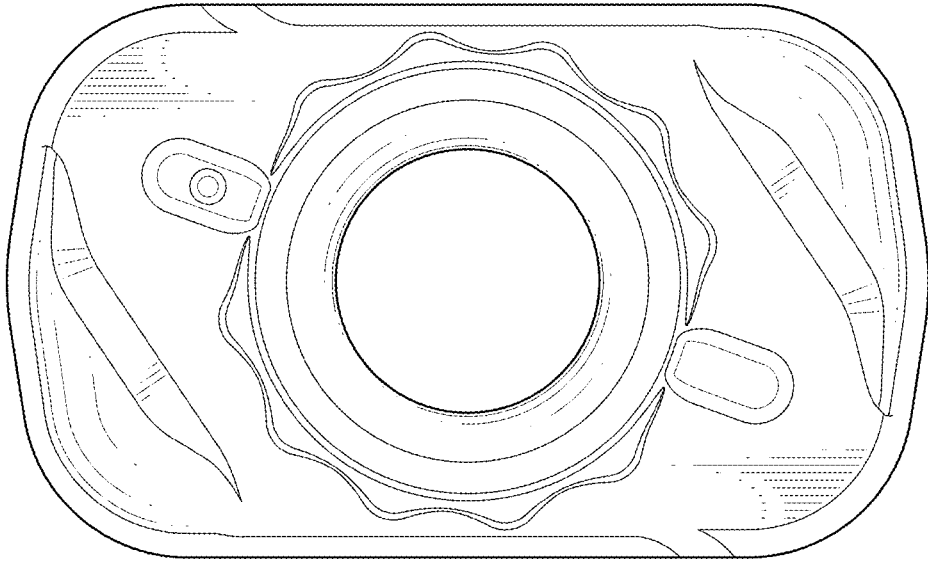


FIG. 4

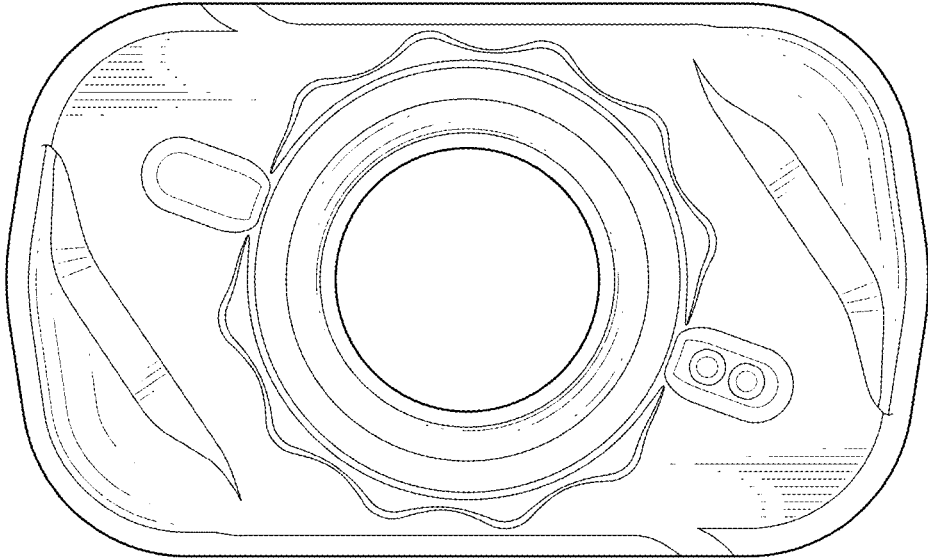


FIG. 5

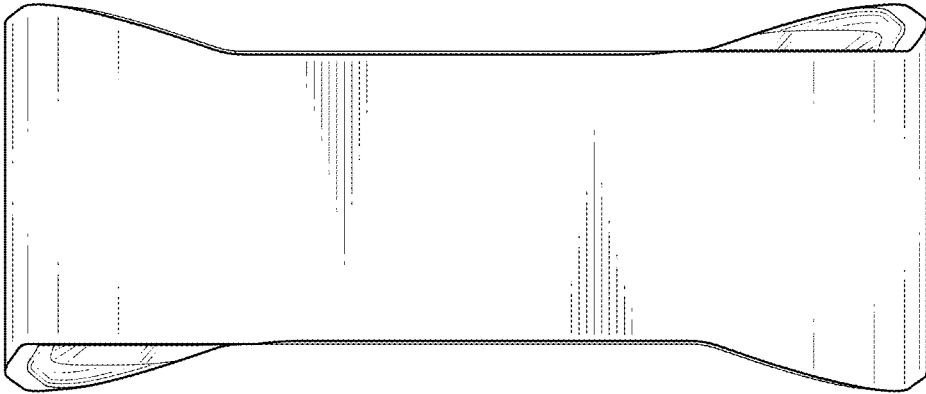


FIG. 6

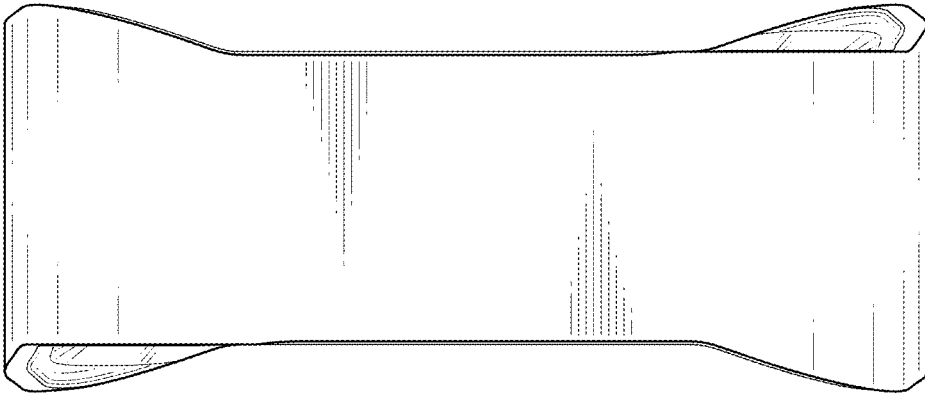


FIG. 7

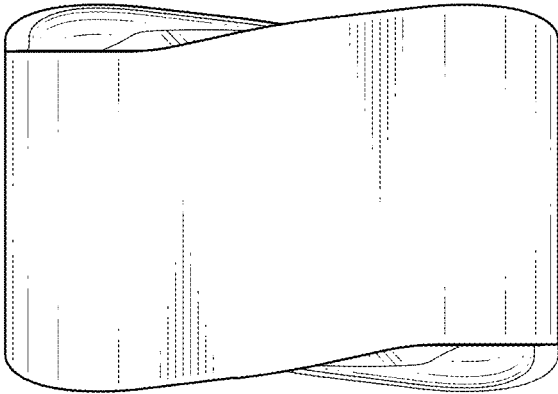


FIG. 8

