



US00D382956S

United States Patent [19] Collins

[11] Patent Number: Des. 382,956

[45] Date of Patent: **Aug. 26, 1997

[54] FIREPLACE ASH PAN

[76] Inventor: Vincent D. Collins, 44546 Kadi Ct.,
Fremont, Calif. 94539

[**] Term: 14 Years

[21] Appl. No.: 50,921

[22] Filed: Feb. 29, 1996

[51] LOC (6) Cl. 09-09

[52] U.S. Cl. D23/420

[58] Field of Search D23/420; 126/243;
D9/430; 229/108, 108.1, 110, 111

D. 331,876 12/1992 Serna D9/430
D. 332,218 1/1993 Serna D9/430

Primary Examiner—Holly Baynham
Attorney, Agent, or Firm—Burns, Doane, Swecker &
Mathis L.L.P.

[57] CLAIM

The ornamental design for the fireplace ash pan, as shown.

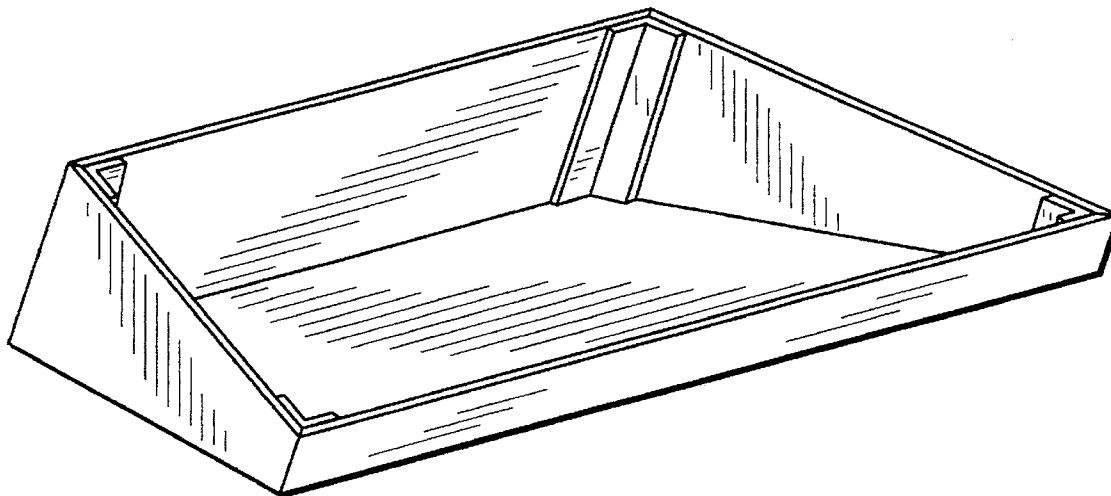
DESCRIPTION

FIG. 1 is a left side perspective view of the present invention;
FIG. 2 is a front view;
FIG. 3 is a left side view with the opposite side being a mirror image;
FIG. 4 is a back view;
FIG. 5 is a top view; and,
FIG. 6 is a bottom view.

[56] **References Cited**
U.S. PATENT DOCUMENTS

D. 26,686	2/1897	Conner	D23/420
D. 263,165	2/1982	Day	D23/420
D. 328,427	8/1992	Serna	D9/430

1 Claim, 2 Drawing Sheets



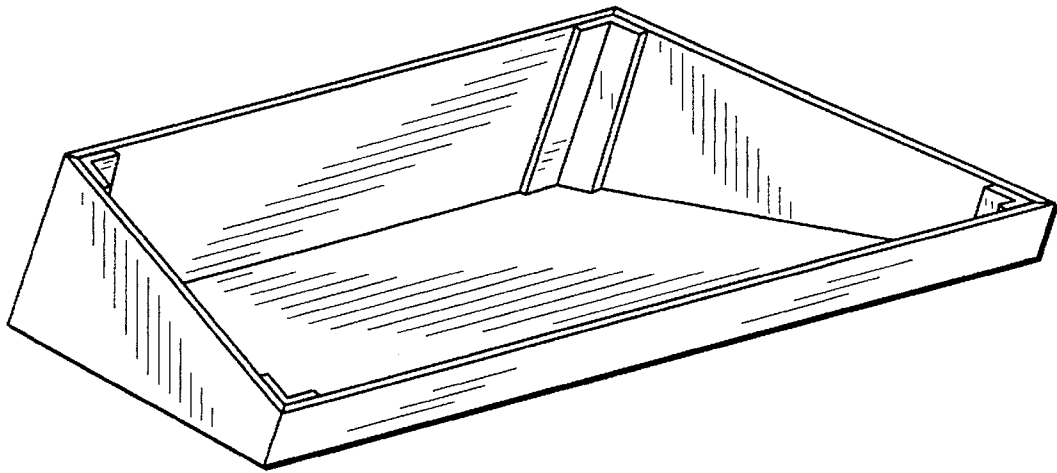


FIG._1

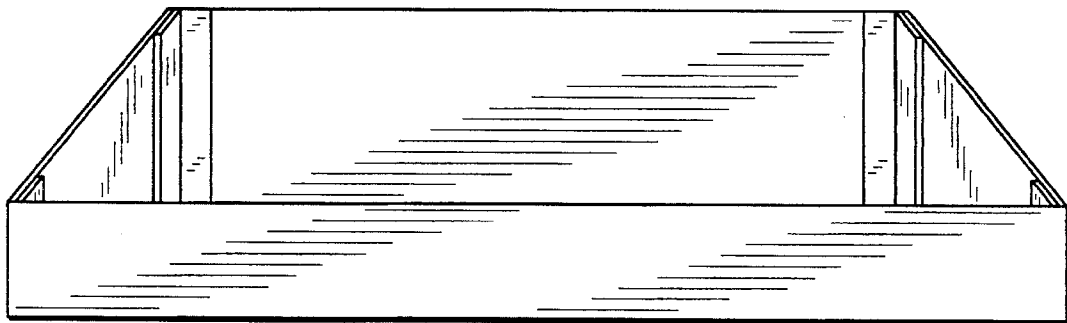


FIG._2

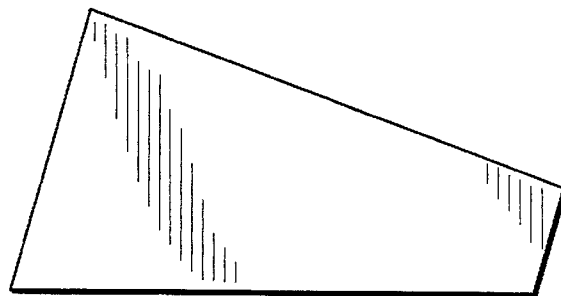


FIG._3

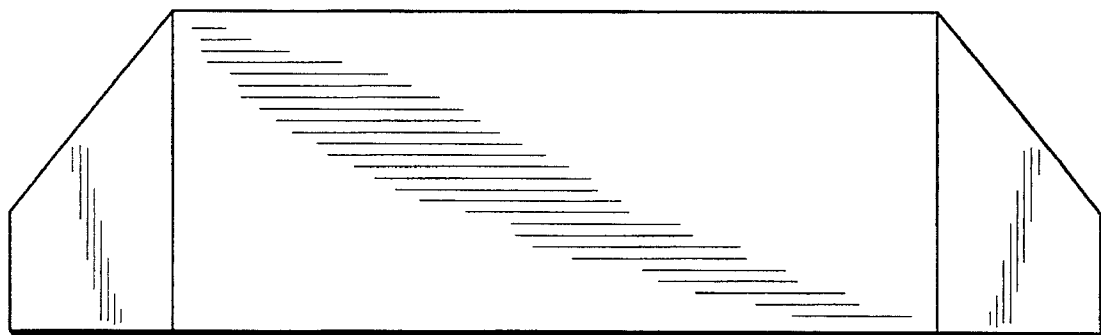


FIG._4

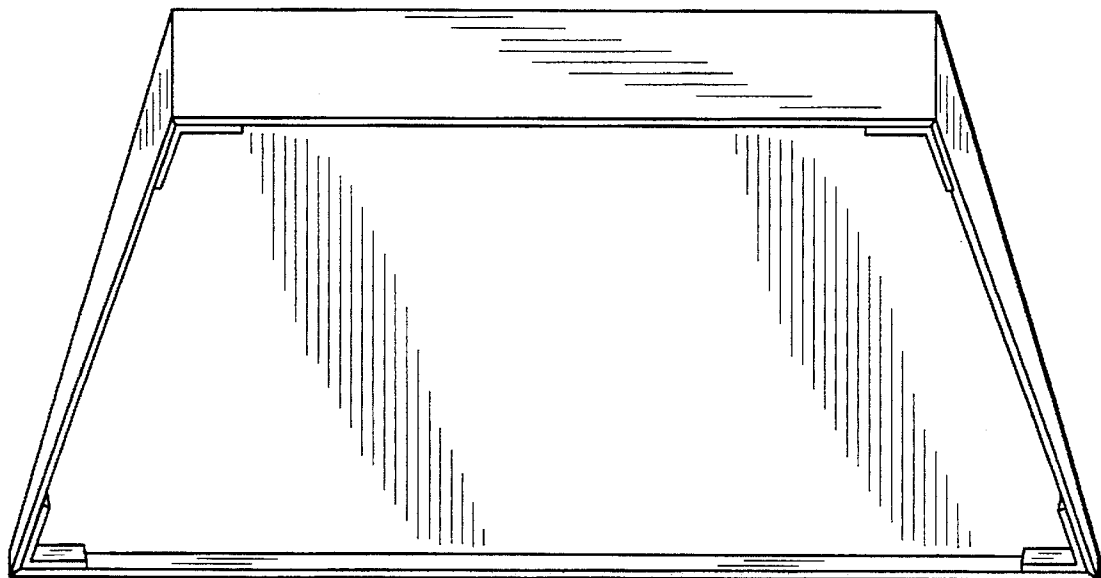


FIG._5

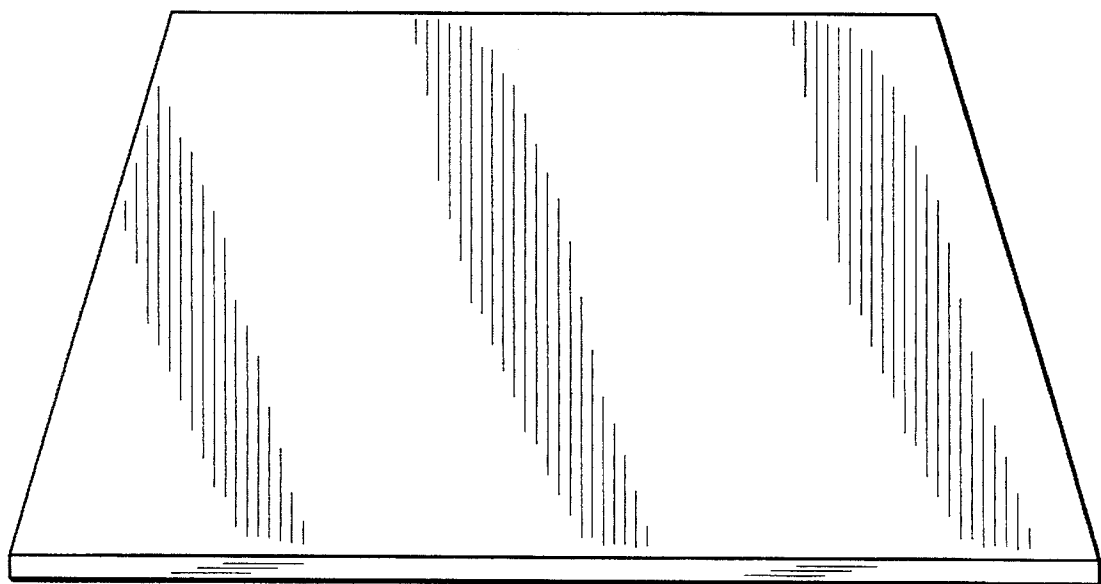


FIG._6