

(12) **United States Design Patent** (10) **Patent No.:** **US D778,066 S**
Kern et al. (45) **Date of Patent:** **** Feb. 7, 2017**

(54) **TREATMENT BRUSH HEAD**
 (71) Applicant: **NSE Products, Inc.**, Provo, UT (US)
 (72) Inventors: **Dale G. Kern**, Hyde Park, UT (US);
Matthew James Herd, Cambridgeshire (GB); **Charles Frazer Kilby**,
 Cambridgeshire (GB)
 (73) Assignee: **NSE Products, Inc.**, Provo, UT (US)

D333,730 S * 3/1993 Martin D30/158
 D333,922 S * 3/1993 Strickler D30/158
 5,228,165 A * 7/1993 Westberry A47K 7/024
 15/160
 D342,319 S * 12/1993 Cheng D24/200
 D344,137 S * 2/1994 Yoo D24/200
 D351,947 S * 11/1994 Fitzgerald D28/63
 D357,322 S * 4/1995 Matthews D24/200
 D369,447 S * 4/1996 Mann D32/19
 D370,124 S * 5/1996 Chamieh D4/115
 D409,337 S * 5/1999 Johnson, Jr. D28/63
 6,076,222 A * 6/2000 Jolly A63B 57/60
 15/161

(**) Term: **15 Years**

(Continued)

(21) Appl. No.: **29/536,109**
 (22) Filed: **Aug. 13, 2015**
 (51) **LOC (10) Cl.** **04-02**
 (52) **U.S. Cl.**
 USPC **D4/127**
 (58) **Field of Classification Search**
 USPC D4/100, 102, 115, 117, 118, 123, 124,
 D4/127, 136, 137, 199; D24/127, 133,
 D24/144, 146, 214, 215; D6/583-585;
 D28/63; 601/109, 112, 114; 604/20;
 607/50, 75, 98, 99, 96
 CPC B08B 6/00; A47L 13/40; A47L 11/4041;
 A46B 3/08; A46B 5/0075; A46B 13/008;
 A46D 1/00
 See application file for complete search history.

Primary Examiner — John Windmuller
Assistant Examiner — Steven Czyz
 (74) *Attorney, Agent, or Firm* — Dorsey & Whitney LLP;
 Stuart R. Hemphill, Esq.

(57) **CLAIM**

We claim the ornamental design for a treatment brush head,
 as shown and described.

DESCRIPTION

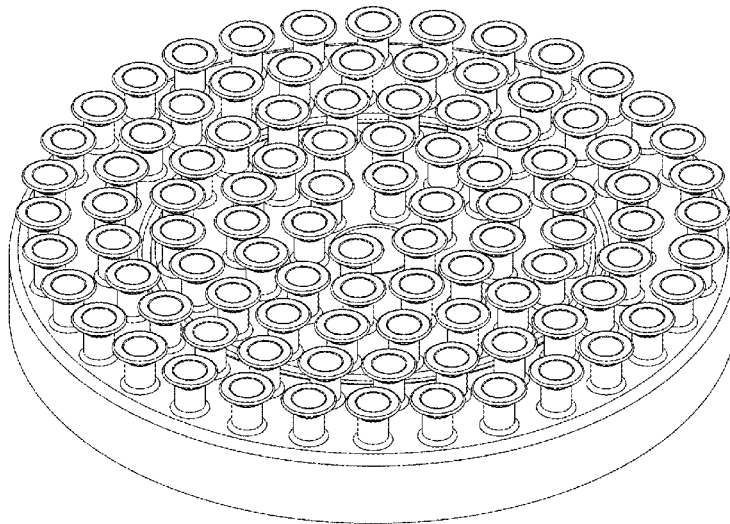
This application is related to U.S. Non-Provisional patent
 application Ser. No. 14/825,316, filed Aug. 13, 2015, each of
 which is incorporated by reference herein, in the entirety and
 for all purposes.
 FIG. 1 is an isometric view of a treatment brush head.
 FIG. 2 is a top view of the treatment brush head of FIG. 1.
 FIG. 3 is a front elevation view of the treatment brush head
 of FIG. 1.
 FIG. 4 is a rear elevation view of the treatment brush head
 of FIG. 1.
 FIG. 5 is a left-side elevation view of the treatment brush
 head of FIG. 1.
 FIG. 6 is a right-side elevation view of the treatment brush
 head of FIG. 1; and,
 FIG. 7 is a cross-sectional view taken along the line 7-7 of
 FIG. 2.

(56) **References Cited**

U.S. PATENT DOCUMENTS

1,913,462 A * 6/1933 Timar A61H 7/003
 601/135
 2,682,675 A * 7/1954 Prucha A46B 13/06
 15/180
 D262,672 S * 1/1982 Chase D24/211
 4,343,265 A * 8/1982 Belschner A01K 13/002
 119/625
 D285,131 S * 8/1986 Wilkeson D30/158
 D321,434 S * 11/1991 Strickler D30/158

1 Claim, 7 Drawing Sheets



(56)

References Cited

U.S. PATENT DOCUMENTS

| | | | | | | | | | |
|----------------|---------|------------|-------|-------------|-------------------|---------|----------|-------|-------------|
| D460,554 S * | 7/2002 | Park | | D24/133 | D661,811 S * | 6/2012 | Ferguson | | D24/200 |
| 6,424,862 B1 * | 7/2002 | Brown, III | | A61N 1/0424 | D671,281 S * | 11/2012 | Singer | | D30/158 |
| | | | | 604/174 | D699,903 S * | 2/2014 | Singer | | D30/159 |
| D462,483 S * | 9/2002 | Campbell | | D28/63 | D715,553 S * | 10/2014 | Brewer | | D4/102 |
| D479,336 S * | 9/2003 | La Bianco | | D24/215 | D720,933 S * | 1/2015 | Albers | | D4/120 |
| 7,194,316 B2 * | 3/2007 | Bousfield | | A61N 1/322 | D726,418 S * | 4/2015 | Gruber | | D4/104 |
| | | | | 433/29 | D740,033 S * | 10/2015 | Gruber | | D4/104 |
| D539,916 S * | 4/2007 | Baldachini | | D24/200 | D753,399 S * | 4/2016 | Owen | | D4/100 |
| D545,970 S * | 7/2007 | Eknoian | | D24/189 | 2008/0005860 A1 * | 1/2008 | Niizaki | | A46D 1/00 |
| D545,971 S * | 7/2007 | Eknoian | | D24/189 | | | | | 15/207.2 |
| D548,339 S * | 8/2007 | Stonier | | D24/133 | 2008/0295268 A1 * | 12/2008 | Lei | | A46B 5/0095 |
| D555,407 S * | 11/2007 | Lan | | D6/583 | | | | | 15/146 |
| D567,387 S * | 4/2008 | Nan | | D24/215 | 2011/0118655 A1 * | 5/2011 | Fassih | | A61N 1/044 |
| 7,386,906 B2 * | 6/2008 | Roth | | A46B 13/06 | | | | | 604/20 |
| | | | | 15/21.1 | 2013/0023805 A1 * | 1/2013 | Ungemach | | A61H 7/005 |
| 7,395,110 B2 * | 7/2008 | Hofmann | | A61N 1/0424 | | | | | 601/114 |
| | | | | 604/20 | 2013/0023806 A1 * | 1/2013 | Ungemach | | A61H 7/005 |
| 7,786,626 B2 * | 8/2010 | Reishus | | H02K 33/16 | | | | | 601/114 |
| | | | | 15/22.1 | 2015/0359324 A1 * | 12/2015 | Brewer | | A46B 15/001 |
| | | | | | | | | | 15/22.1 |

* cited by examiner

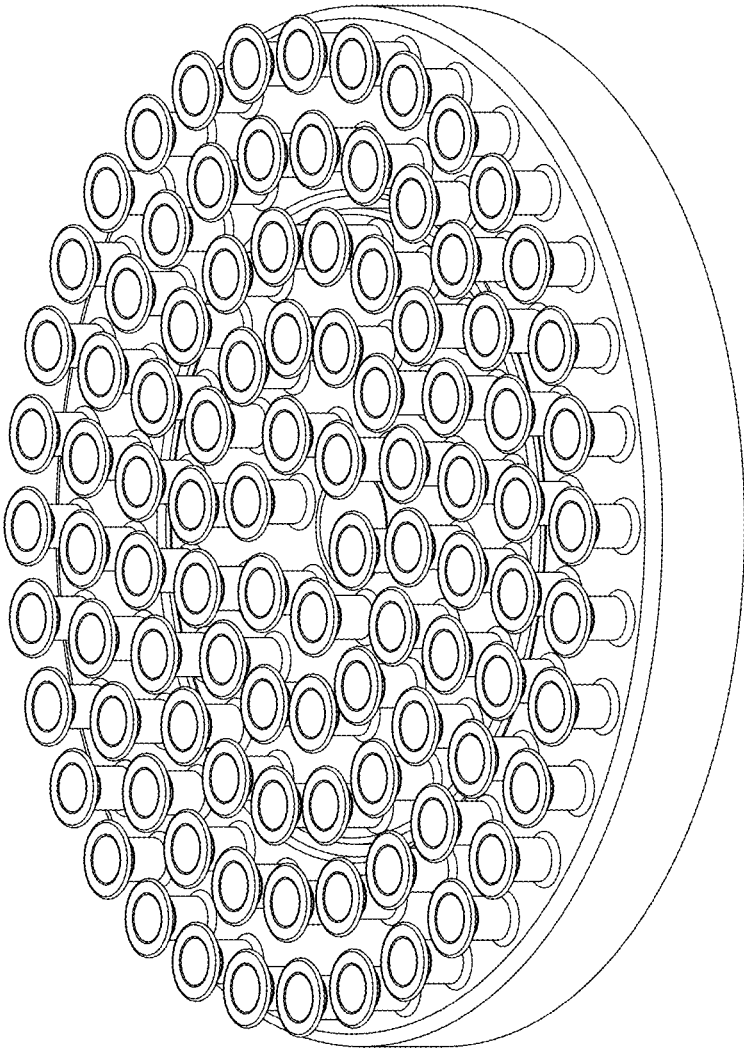


FIG. 1

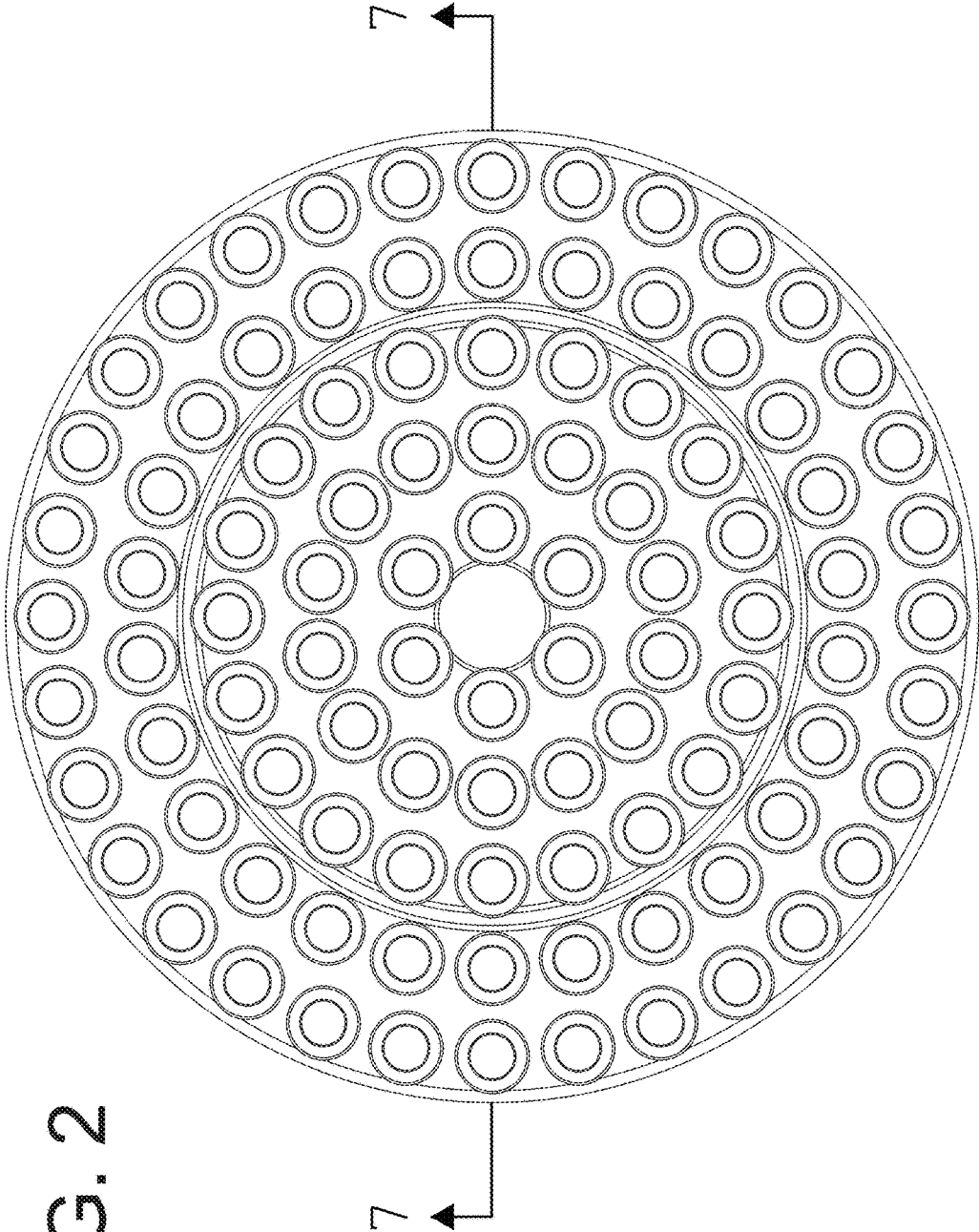


FIG. 2

FIG. 3

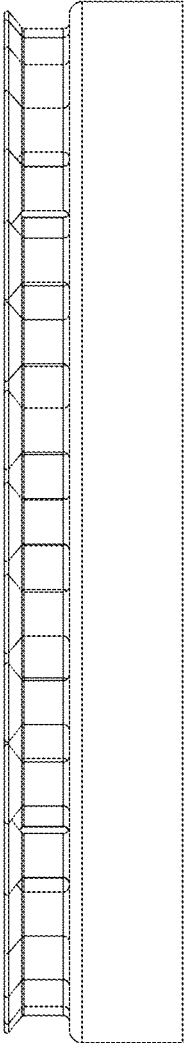


FIG. 4

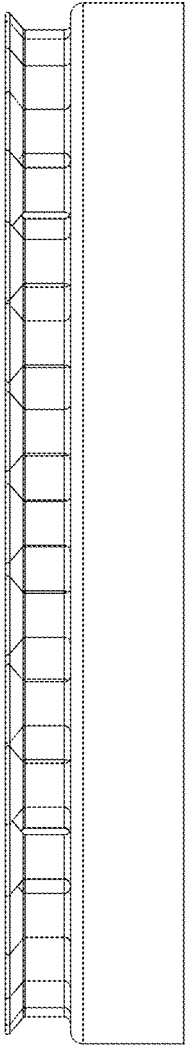


FIG. 5

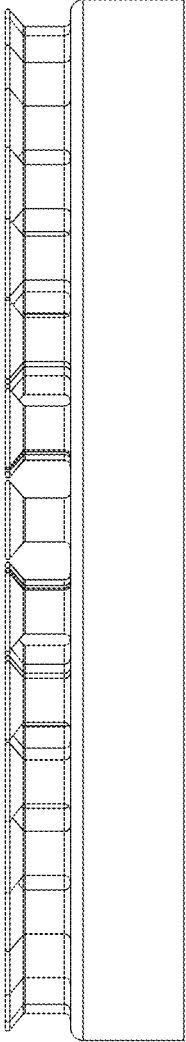


FIG. 6

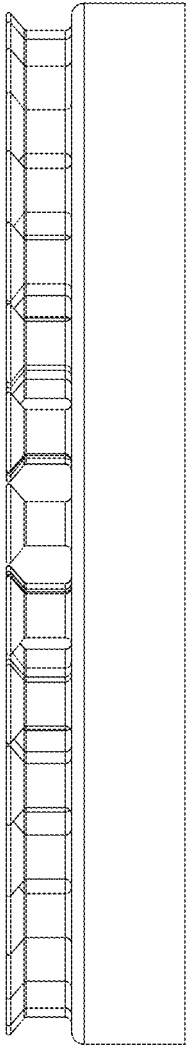


FIG. 7

