



US00D719202S

(12) **United States Design Patent**
Lee

(10) **Patent No.:** **US D719,202 S**

(45) **Date of Patent:** **** Dec. 9, 2014**

(54) **NETWORK CAMERA**

(71) Applicant: **Honest Technology Co., Ltd.**, Daejeon (KR)

(72) Inventor: **Soo Woo Lee**, Daejeon (KR)

(73) Assignee: **Honest Technology Co., Ltd.**, Daejeon (KR)

(**) Term: **14 Years**

(21) Appl. No.: **29/464,772**

(22) Filed: **Aug. 21, 2013**

(30) **Foreign Application Priority Data**

Feb. 21, 2013 (KR) 30-2013-0008881

(51) **LOC (10) Cl.** **16-01**

(52) **U.S. Cl.**
USPC **D16/202**

(58) **Field of Classification Search**
USPC D16/200, 202, 203, 208, 218, 242;
348/373-376; 396/419, 427, 428,
396/535-541

See application file for complete search history.

(56) **References Cited**

U.S. PATENT DOCUMENTS

D430,587	S	*	9/2000	Summit	D16/202
6,503,000	B1	*	1/2003	Kim	396/427
D550,738	S	*	9/2007	Hsia	D16/203
D558,249	S	*	12/2007	Hsia	D16/203
D562,868	S	*	2/2008	Cho et al.	D16/202
D573,622	S	*	7/2008	Fisher et al.	D16/202
7,719,610	B2	*	5/2010	Kung et al.	348/373
D626,983	S	*	11/2010	Serge et al.	D16/202
D648,766	S	*	11/2011	Chen	D16/202
D661,718	S	*	6/2012	Tang	D16/202
2006/0023113	A1	*	2/2006	Lin	348/373

* cited by examiner

Primary Examiner — Adir Aronovich

(74) *Attorney, Agent, or Firm* — IPLA P.A.; James E. Bame

(57) **CLAIM**

The ornamental design for a network camera, as shown and described.

DESCRIPTION

FIG. 1 is a front and right side perspective view of a network camera showing my new design;
FIG. 2 is a front elevational view thereof;
FIG. 3 is a rear elevational view thereof;
FIG. 4 is a left side elevational view thereof;
FIG. 5 is a right side elevational view thereof;
FIG. 6 is a top plan view thereof; and,
FIG. 7 is a bottom plan view thereof.

1 Claim, 6 Drawing Sheets

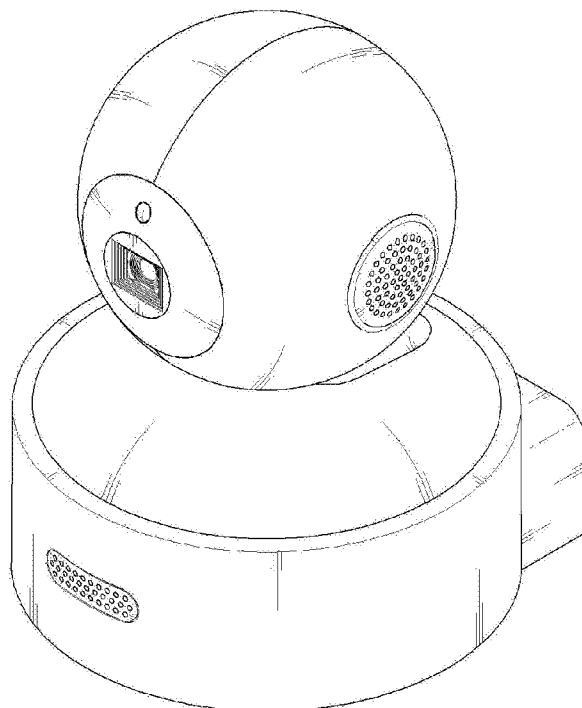


FIG. 1

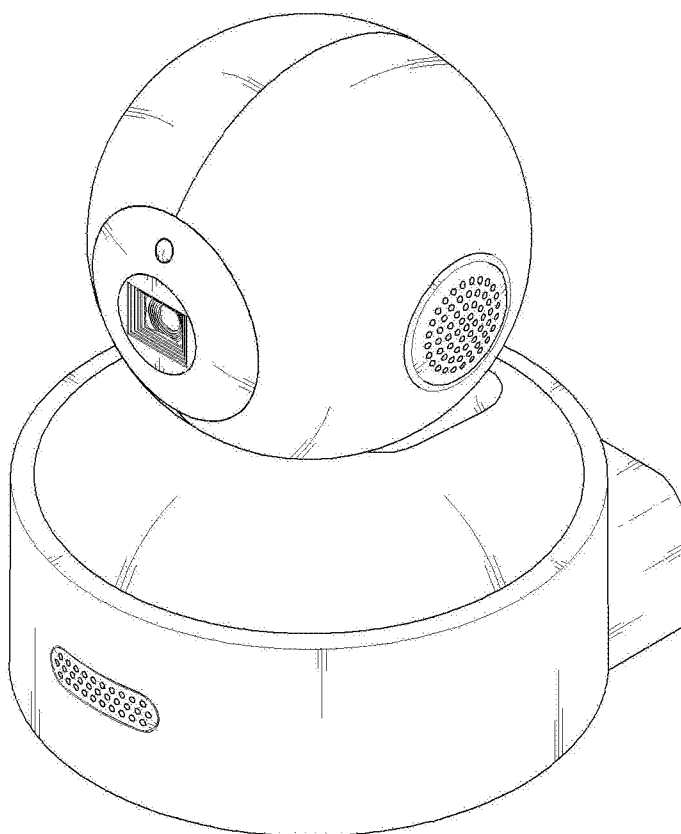


FIG. 2

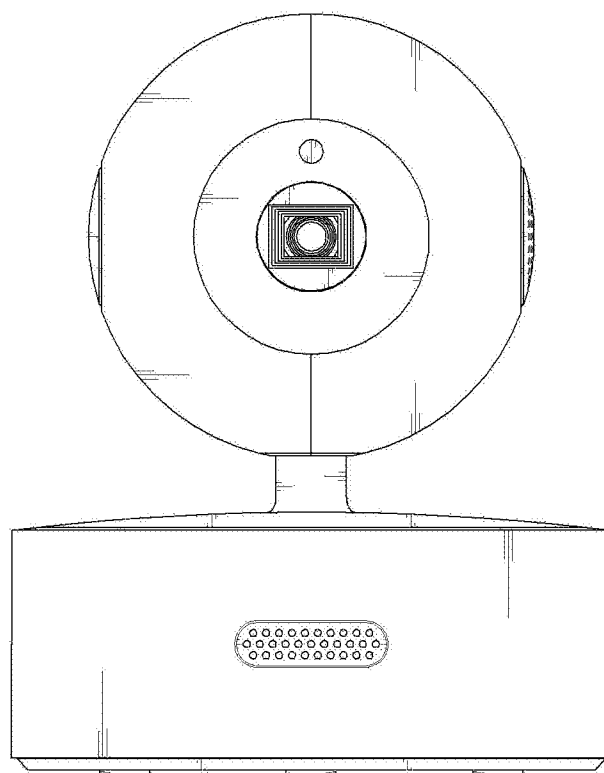


FIG. 3

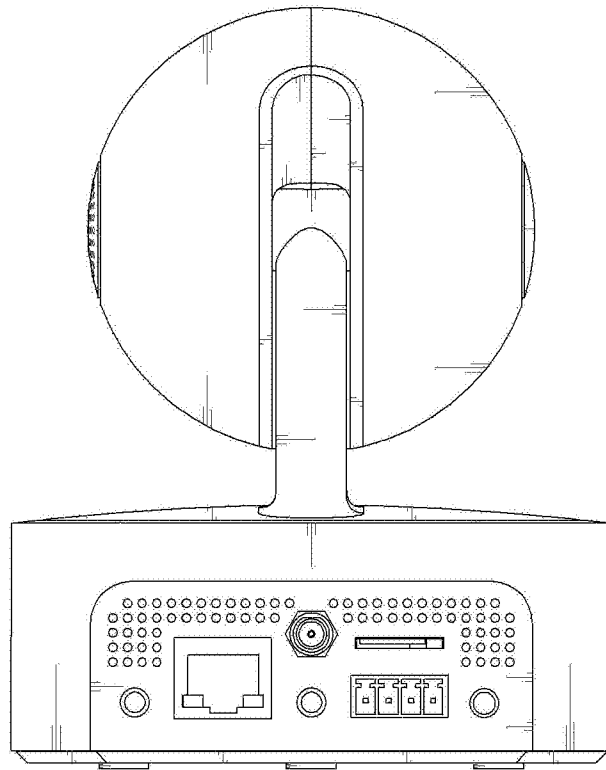


FIG. 4

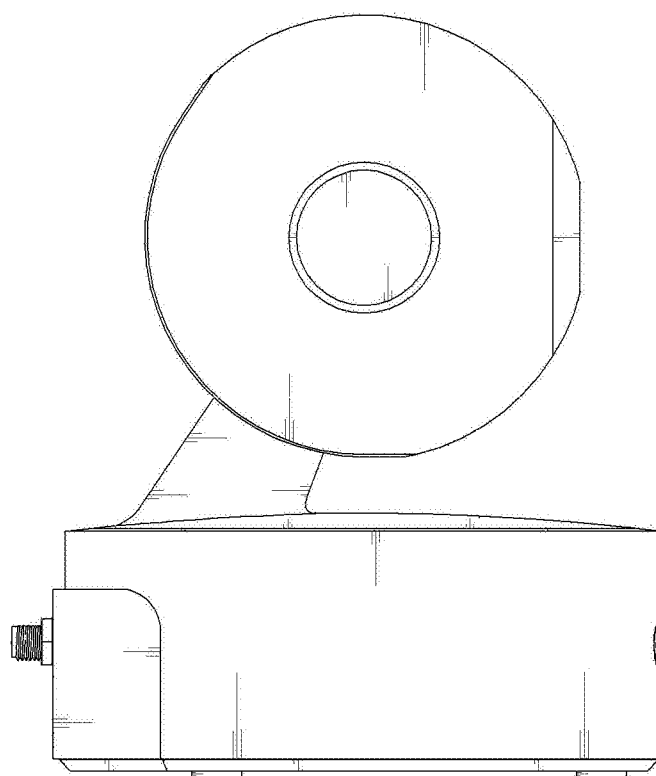


FIG. 5

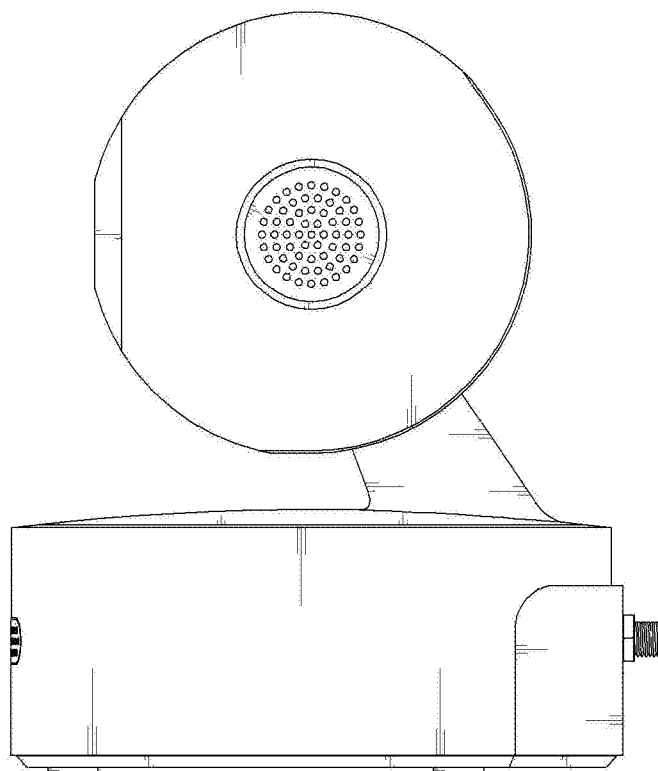


FIG. 6

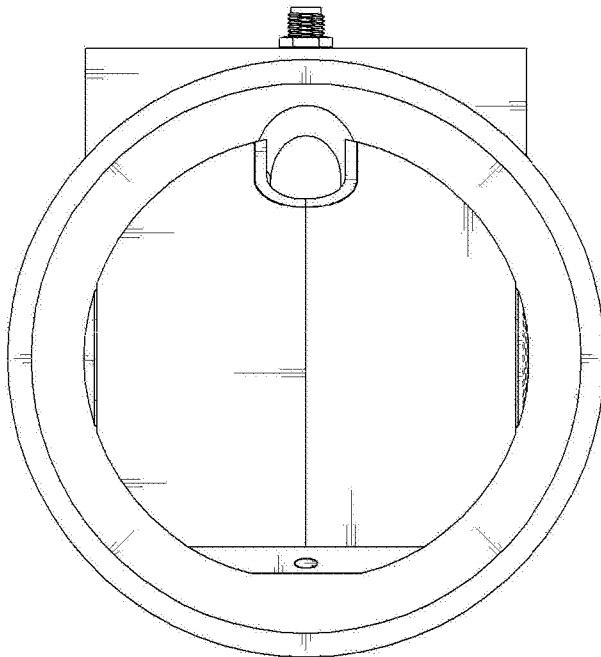


FIG. 7

