



US00D388081S

United States Patent [19]

Lohrding et al.

[11] Patent Number: **Des. 388,081**

[45] Date of Patent: ****Dec. 23, 1997**

[54] PORTABLE RADIOTELEPHONE

[75] Inventors: **Bradley K. Lohrding**, Gurnee; **Daniel L. Williams**, Vernon Hills, both of Ill.; **Christopher J. Nona**, Phoenix, Ariz.; **Daryl R. Harris**, Evanston, Ill.

[73] Assignee: **Motorola, Inc.**, Schaumburg, Ill.

[**] Term: **14 Years**

[21] Appl. No.: **67,025**

[22] Filed: **Feb. 28, 1997**

[51] LOC (6) CL **14-03**

[52] U.S. Cl. **D14/138**

[58] Field of Search D14/137, 138, D14/140, 142, 147-151, 240, 248; 379/58-61, 419, 420, 428, 440, 433-436, 455, 454; 455/89, 90

[56] References Cited

U.S. PATENT DOCUMENTS

- D. 343,616 1/1994 Nagele et al. D14/138
- D. 357,249 4/1995 Williams D14/138
- D. 357,250 4/1995 Ifuji et al. D14/138
- D. 357,680 4/1995 Williams et al. D14/147 X
- D. 365,819 1/1996 Sawaguchi et al. D14/147 X
- D. 373,764 9/1996 Nagele et al. D14/138

- D. 375,734 11/1996 Nagele et al. D14/138
- D. 375,952 11/1996 Williams et al. D14/138
- D. 377,351 1/1997 Toki et al. D14/138
- D. 379,982 6/1997 Lindeman et al. D14/138
- 5,335,273 8/1994 Takagi et al. 379/433
- 5,542,106 7/1996 Krenz et al. 455/90

Primary Examiner—Jeffrey Asch
Attorney, Agent, or Firm—Daniel W. Juffernbruch

[57] CLAIM

The ornamental design for a portable radiotelephone, as shown and described.

DESCRIPTION

FIG. 1 is a front, bottom and left side perspective view of the portable radiotelephone showing our new design with a closed cover;

FIG. 2 is a front, bottom and left side perspective view of the portable radiotelephone showing our new design with an open cover;

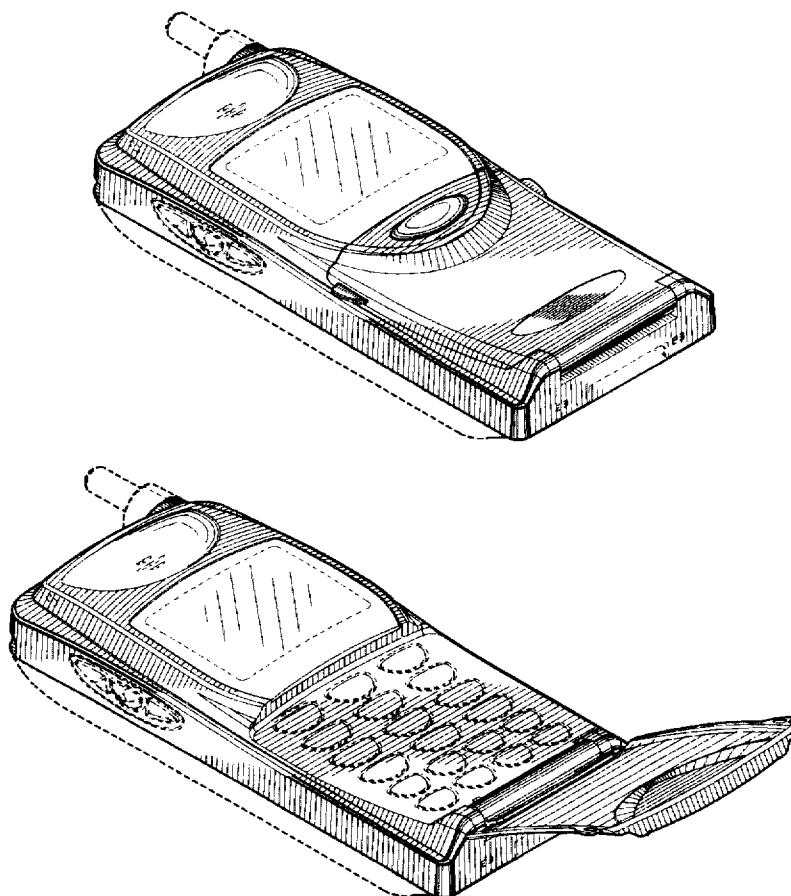
FIG. 3 is a top side view of the portable radiotelephone;

FIG. 4 is a back side view of the portable radiotelephone; and,

FIG. 5 is a right side view of the portable radiotelephone.

The broken line matter in all figures is for illustrative purposes only and forms no part of the claimed design.

1 Claim, 3 Drawing Sheets



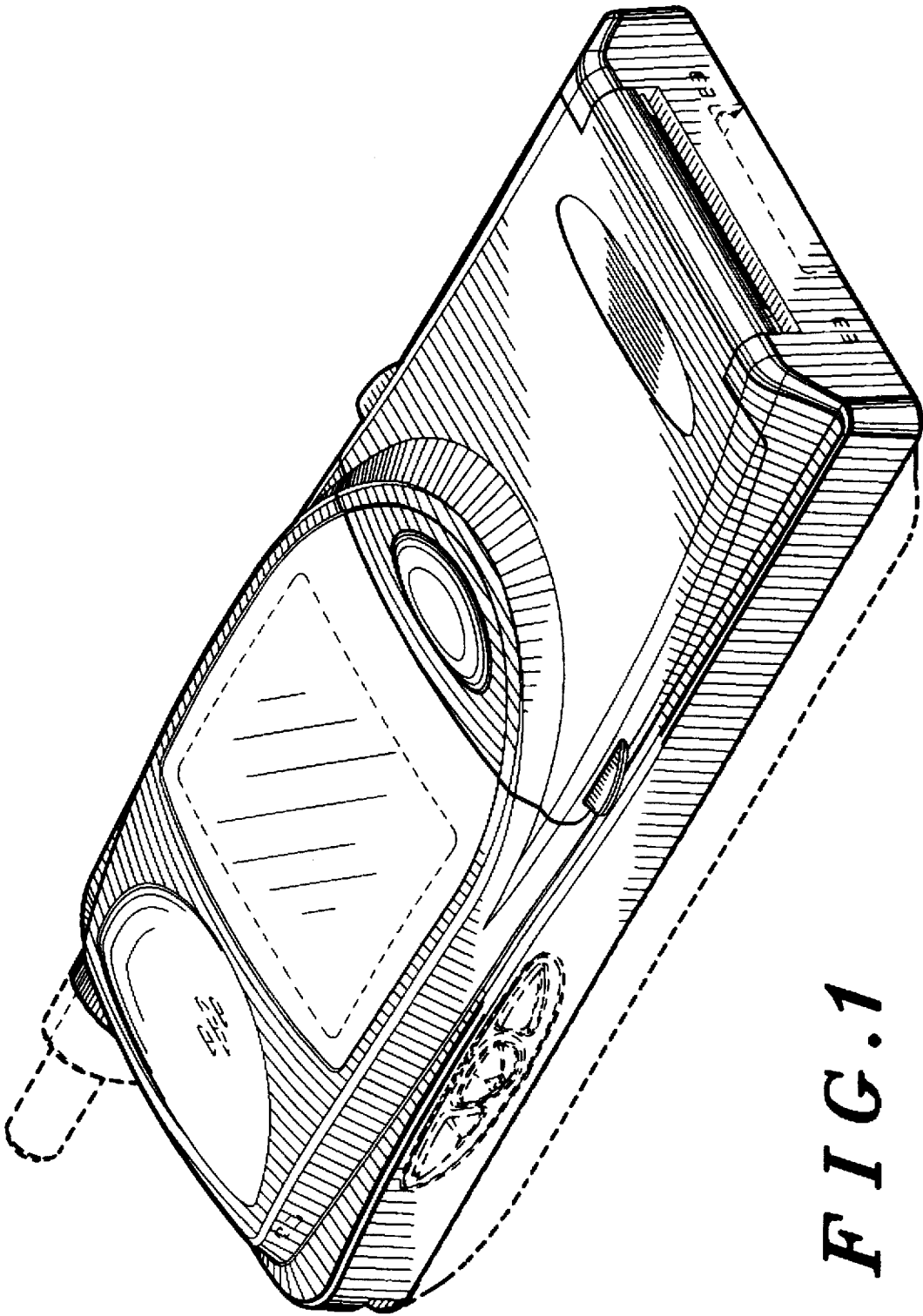


FIG. 1

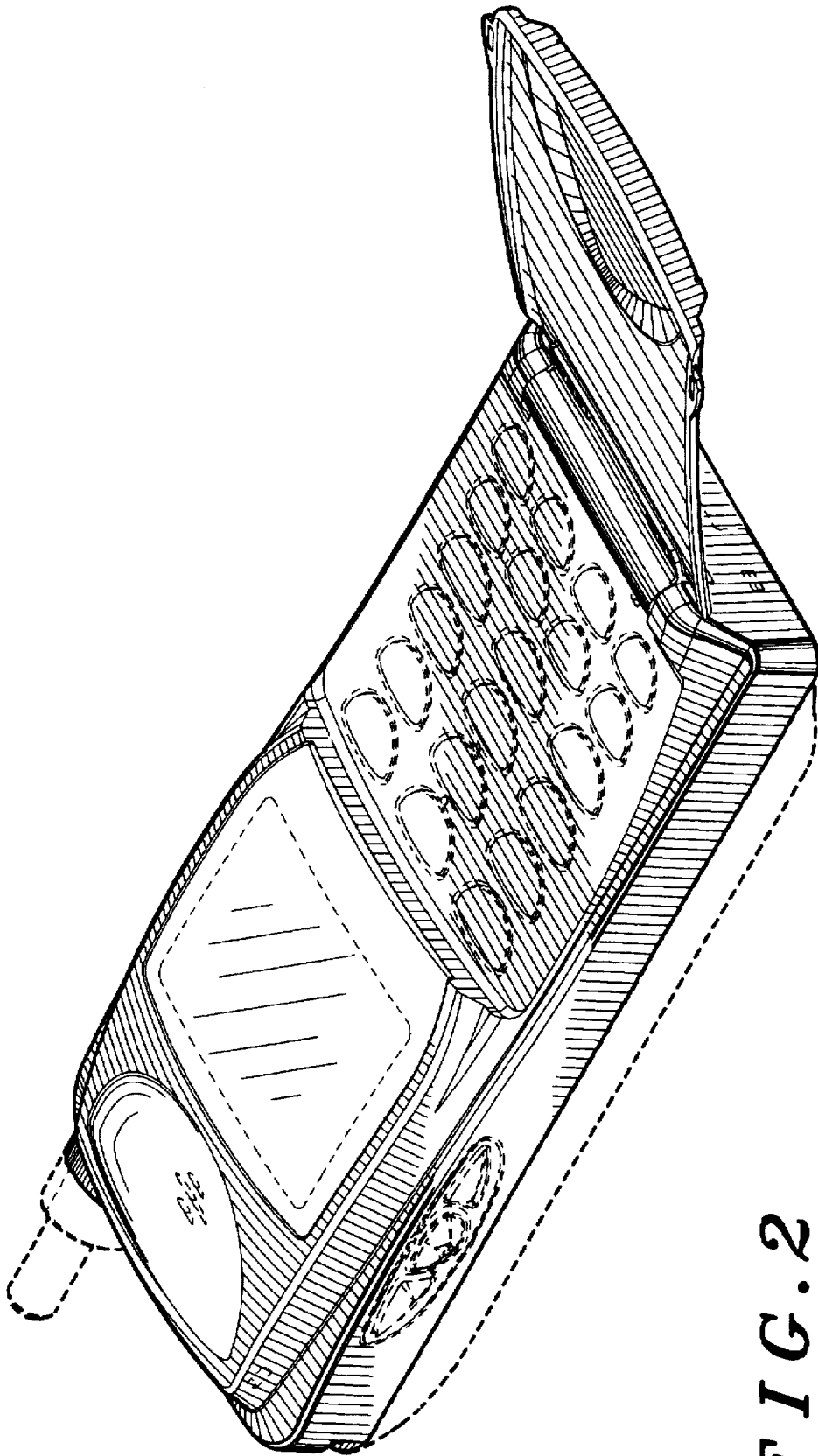


FIG. 2

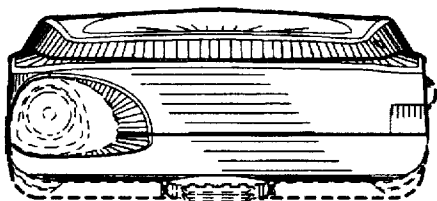


FIG. 3

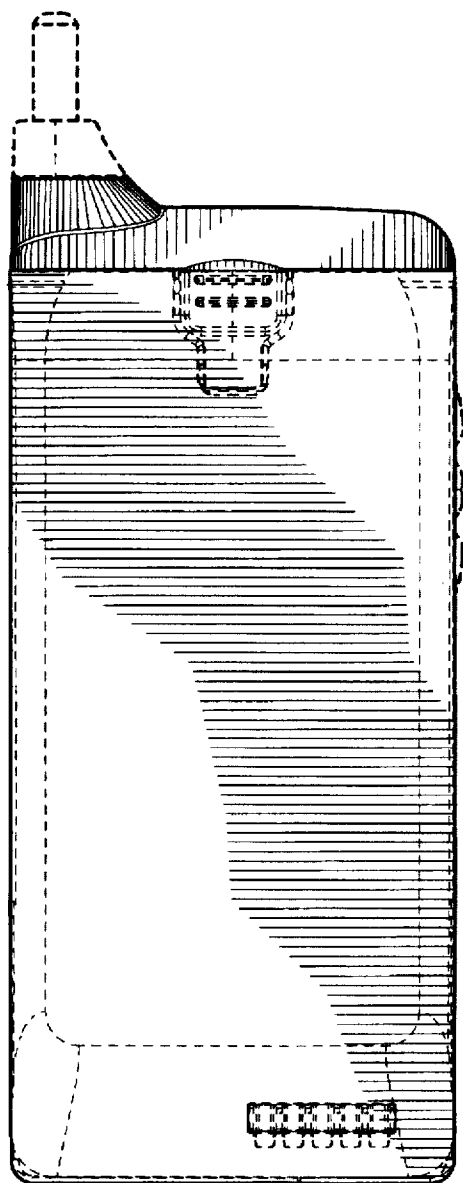


FIG. 4

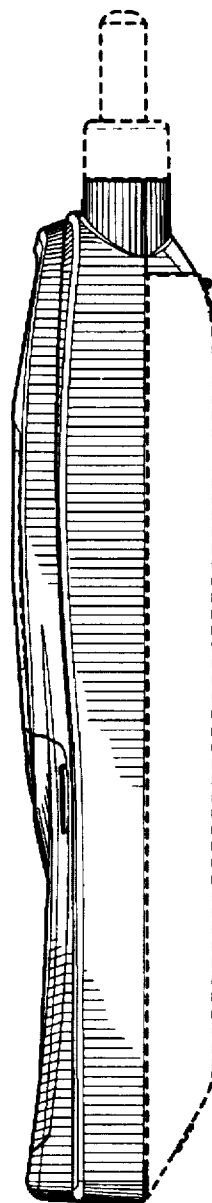


FIG. 5