

# United States Patent [19]

Moore et al.

[11] Patent Number: Des. 315,272

[45] Date of Patent: \*\* Mar. 12, 1991

[54] TOASTER

[75] Inventors: Devin L. Moore, Decatur, Ga.; R. Scott Myerly; Terry L. Myers, both of Richmond, Va.; David S. Rowley, Atlanta, Ga.; Kurt J. Sonnentag, Oradell, N.J.

[73] Assignee: Hamilton Beach/Proctor-Silex, Inc., Glen Allen, Va.

[\*\*] Term: 14 Years

[21] Appl. No.: 256,383

[22] Filed: Oct. 11, 1988

[52] U.S. Cl. .... D7/330

[58] Field of Search ..... D7/330, 328, 329, 323, D7/331; 99/388, 389, 391, 385, 327, 331

[56] **References Cited**

**U.S. PATENT DOCUMENTS**

D. 142,308 8/1945 Stelzer ..... D7/329  
D. 148,936 3/1948 Layton ..... D7/330

D. 208,604 9/1967 Leman ..... D7/330  
D. 266,732 11/1982 Kelley ..... D7/330  
2,244,619 6/1941 Heise et al. .... D7/330 X  
2,368,026 1/1945 Jepson ..... 99/389  
3,575,102 4/1971 Parr ..... D7/330 X  
4,396,825 8/1983 Cox et al. .... 99/389 X

Primary Examiner—Winifred E. Herrmann  
Attorney, Agent, or Firm—Roger S. Dybvig

[57] **CLAIM**

The ornamental design for a toaster, as shown and described.

**DESCRIPTION**

FIG. 1 is a top, front, and right end elevational view of a toaster showing my new design;  
FIG. 2 is a front elevational view thereof;  
FIG. 3 is a rear elevational view thereof;  
FIG. 4 is a top plan view thereof;  
FIG. 5 is a bottom plan view thereof;  
FIG. 6 is a right end elevational view thereof; and  
FIG. 7 is a left end elevational view thereof.

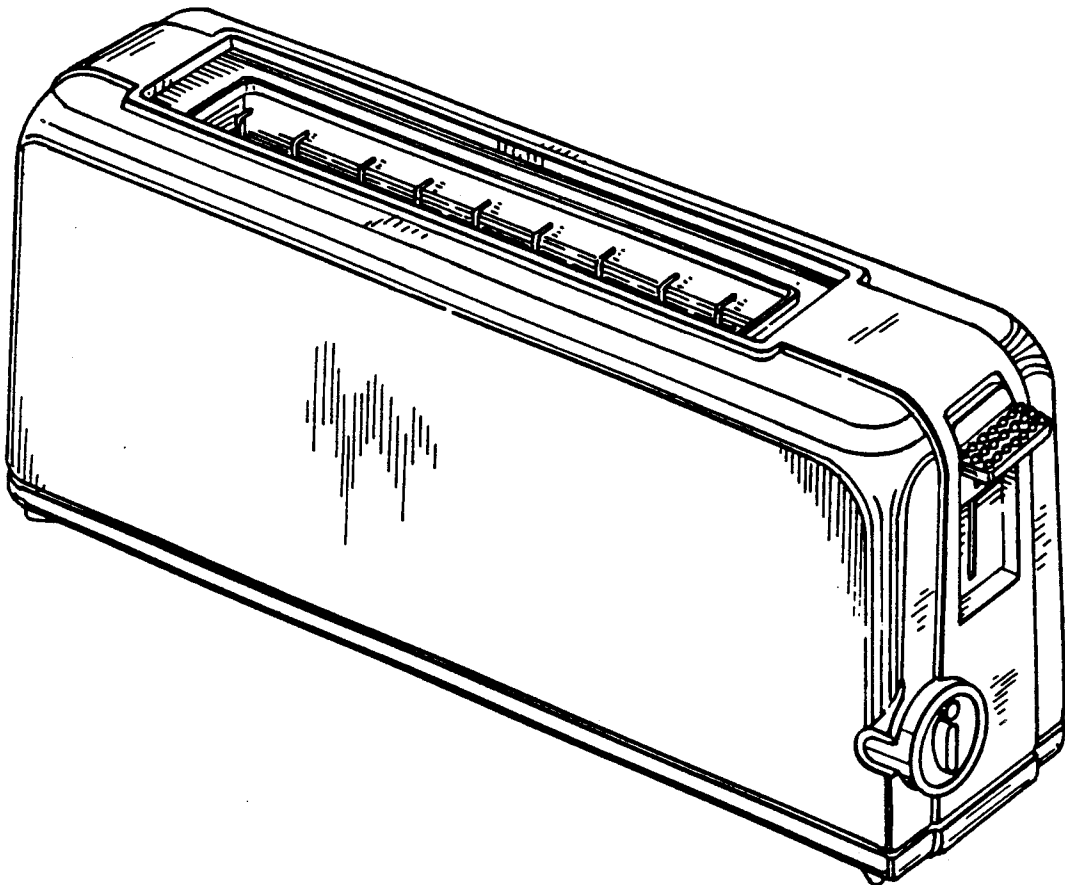


FIG-1

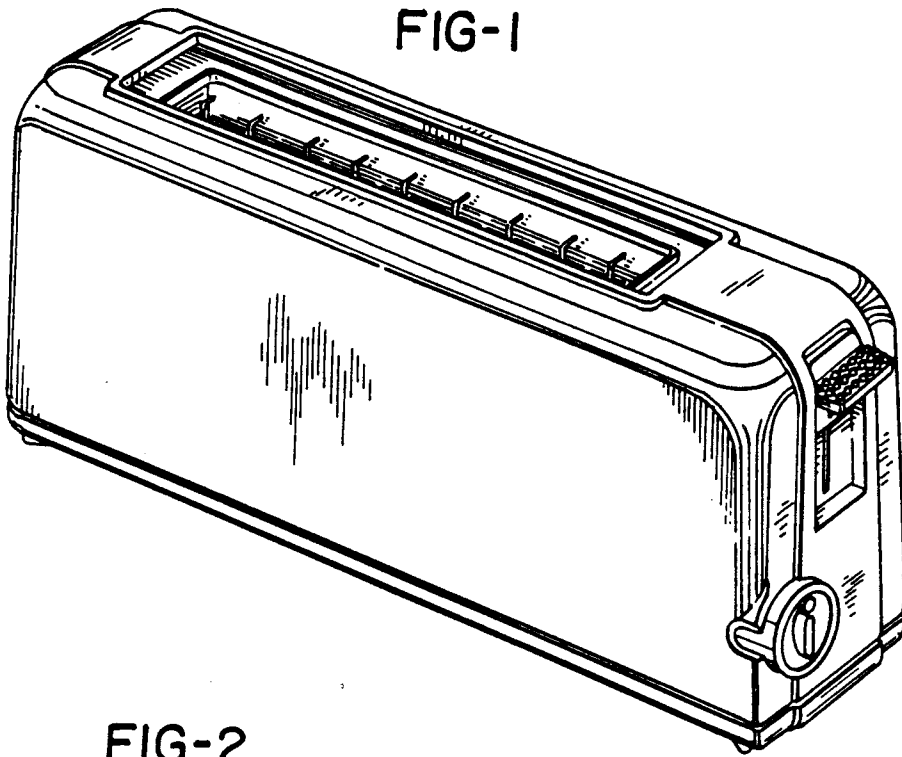


FIG-2

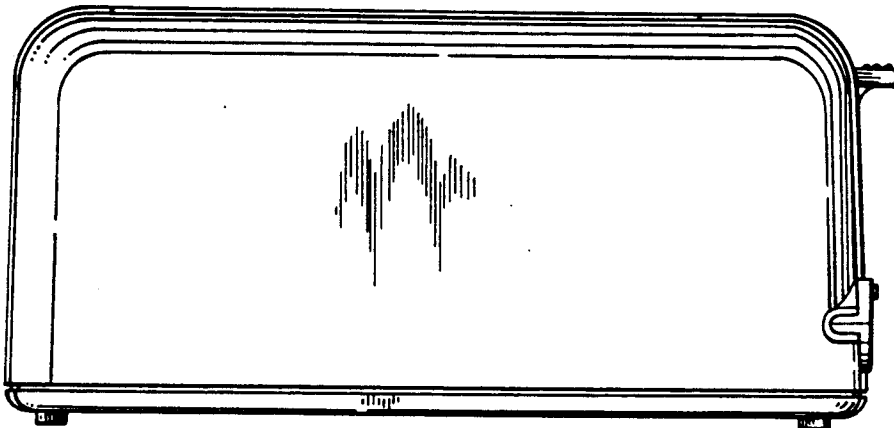


FIG-3

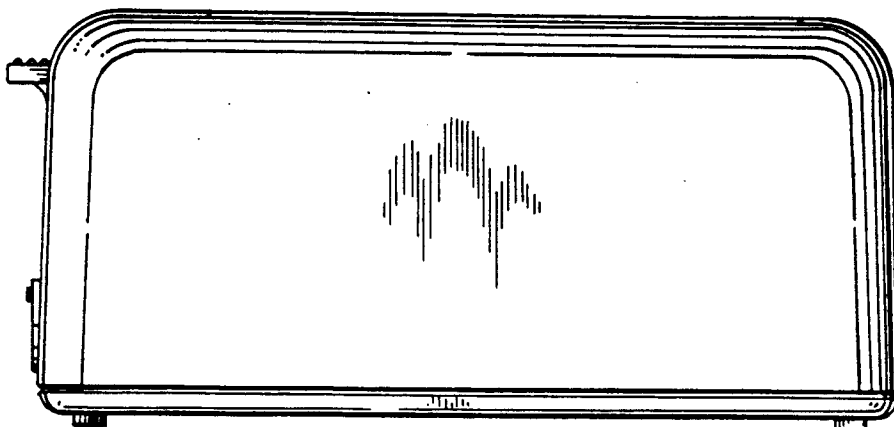


FIG-4

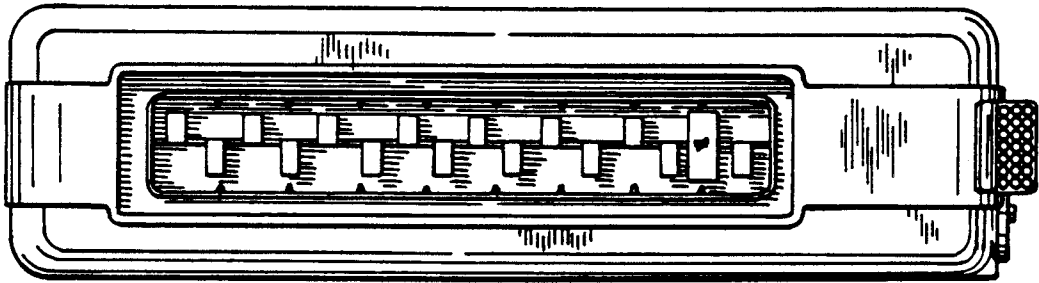


FIG-5

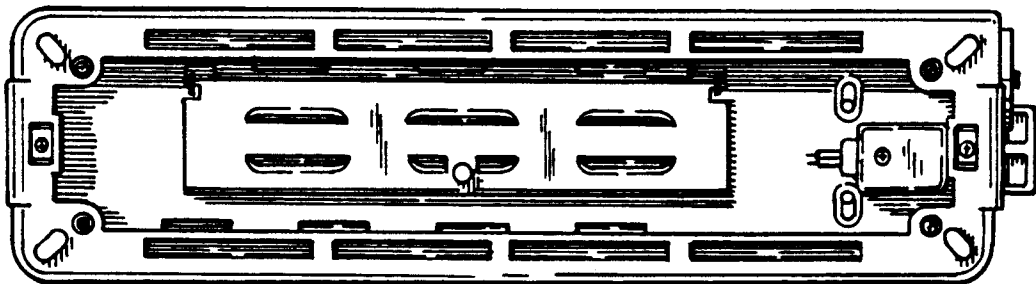


FIG-6

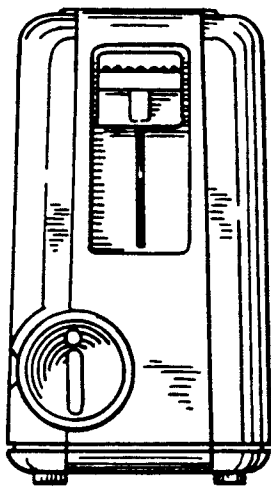


FIG-7

