



US00D690728S

(12) **United States Design Patent**  
**Brinda**

(10) **Patent No.:** **US D690,728 S**

(45) **Date of Patent:** **\*\* Oct. 1, 2013**

(54) **PORTION OF A DISPLAY SCREEN WITH GRAPHICAL USER INTERFACE**

(75) Inventor: **David Brinda**, Bellevue, WA (US)

(73) Assignee: **HTC Corporation**, Taoyuan County (TW)

(\*\*) Term: **14 Years**

(21) Appl. No.: **29/392,557**

(22) Filed: **May 24, 2011**

(51) **LOC (9) Cl.** ..... **14-04**

(52) **U.S. Cl.**  
USPC ..... **D14/488**

(58) **Field of Classification Search**  
USPC ..... D14/485, 486, 487, 488, 489, 490, D14/491, 492, 493, 494, 495; 709/217, 218, 709/219, 220, 223, 224; 715/205, 833, 834, 715/835, 863, 865, 810; 68/139, 20  
See application file for complete search history.

(56) **References Cited**

**U.S. PATENT DOCUMENTS**

5,784,056	A *	7/1998	Nielsen	715/856
5,880,733	A *	3/1999	Horvitz et al.	715/850
D474,197	S *	5/2003	Nguyen	D14/486
D550,227	S *	9/2007	Sato et al.	D14/485
D567,249	S *	4/2008	Gunn et al.	D14/485
7,363,591	B2 *	4/2008	Goldthwaite et al.	715/763
D588,148	S *	3/2009	Stone et al.	D14/485
D607,893	S *	1/2010	Kanga et al.	D14/485
D613,301	S *	4/2010	Lee et al.	D14/489
7,701,500	B2 *	4/2010	Aizawa et al.	348/333.01
D619,146	S *	7/2010	Flik et al.	D14/493
D621,849	S *	8/2010	Anzures et al.	D14/488
D626,131	S *	10/2010	Kruzeniski et al.	D14/485
D627,360	S *	11/2010	Aarseth	D14/485
D631,060	S *	1/2011	Flik et al.	D14/486
7,903,115	B2 *	3/2011	Platzer et al.	345/473

8,006,198	B2 *	8/2011	Okuma et al.	715/810
D644,662	S *	9/2011	Gardner et al.	D14/495
D647,914	S *	11/2011	Brouwers et al.	D14/486
D649,973	S *	12/2011	Matas	D14/486
D650,793	S *	12/2011	Impas et al.	D14/489
D655,719	S *	3/2012	Zaman et al.	D14/486
D658,674	S *	5/2012	Shallcross et al.	D14/488
D664,972	S *	8/2012	Gleasant et al.	D14/486
8,239,784	B2 *	8/2012	Hotelling et al.	715/830
D667,423	S *	9/2012	Nagamine	D14/488
D669,497	S *	10/2012	Lee et al.	D14/489
D673,172	S *	12/2012	Peters et al.	D14/487
8,381,135	B2 *	2/2013	Hotelling et al.	715/863
2005/0081164	A1 *	4/2005	Hama et al.	715/830

(Continued)

*Primary Examiner* — Kevin Rudzinski

(74) *Attorney, Agent, or Firm* — Jianq Chyun IP Office

(57) **CLAIM**

The ornamental design for a portion of a display screen with graphical user interface, as shown and described.

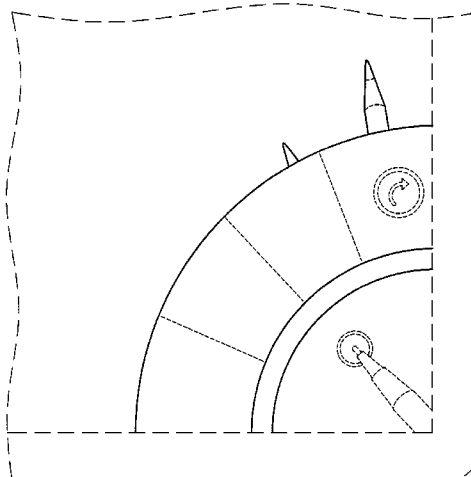
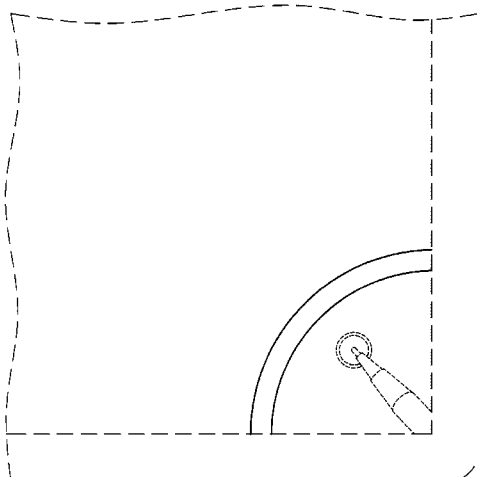
**DESCRIPTION**

FIG. 1 is a front view of the first image of a portion of a display screen with graphical user interface showing our new design. FIG. 2 is a front view of a second image. FIG. 3 is a front view of a third image. FIG. 4 is a front view of a fourth image. FIG. 5 is a front view of a fifth image; and, FIG. 6 is a front view of a sixth image.

The appearance of the transitional image sequentially transitions between the images shown in FIGS. 1-6. The process or period in which one image transitions to another image forms no part of the claimed design.

The broken line showing of portions of the graphical user interface and the broken line showing of a portion of the display screen illustrate environment and form no part of the claimed design.

**1 Claim, 6 Drawing Sheets**



# US D690,728 S

Page 2

---

(56)

## References Cited

2008/0168395	A1*	7/2008	Ording et al. ....	715/833	
2008/0231610	A1*	9/2008	Hotelling et al. ....	345/173	
2010/0175022	A1*	7/2010	Dieht et al. ....	715/784	
U.S. PATENT DOCUMENTS					
2006/0053389	A1*	3/2006	Michelman .....	715/775	
2008/0022228	A1*	1/2008	Kwon et al. ....	715/838	* cited by examiner

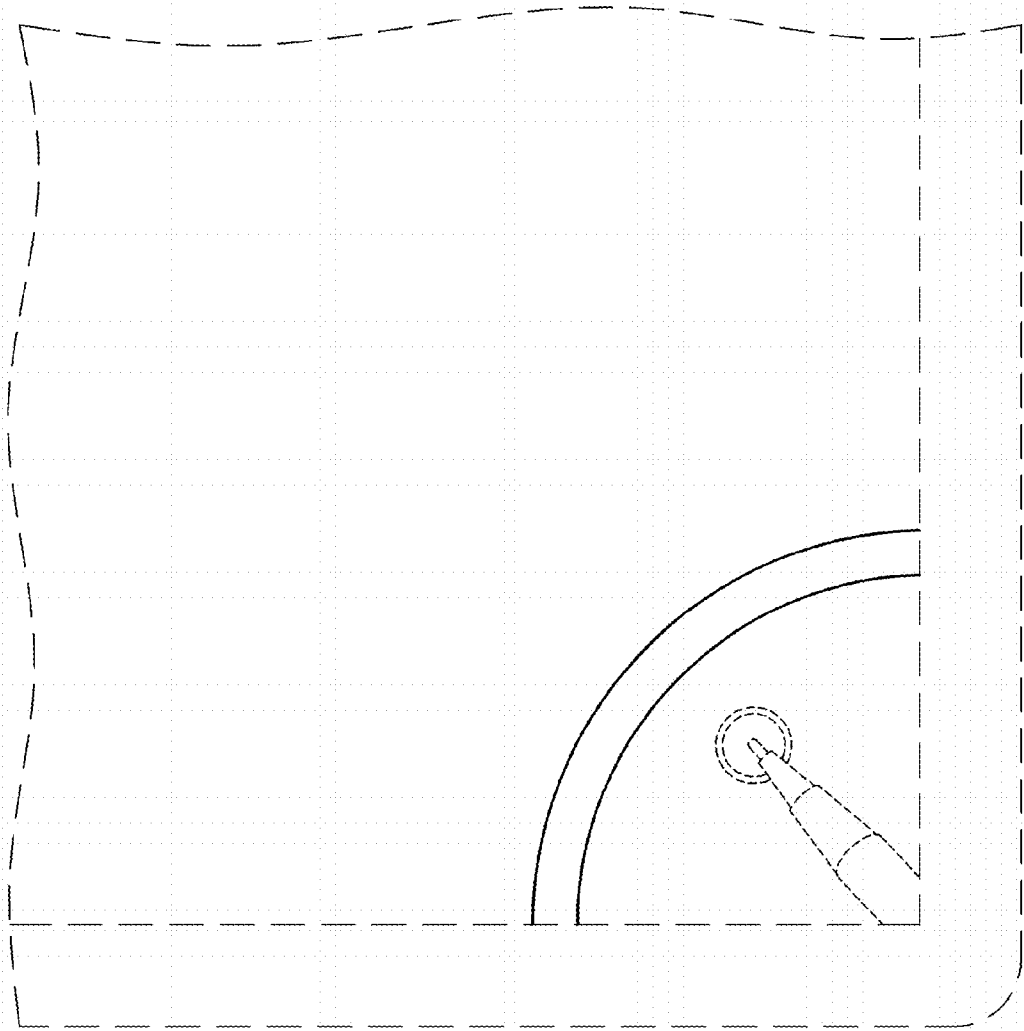


FIG. 1

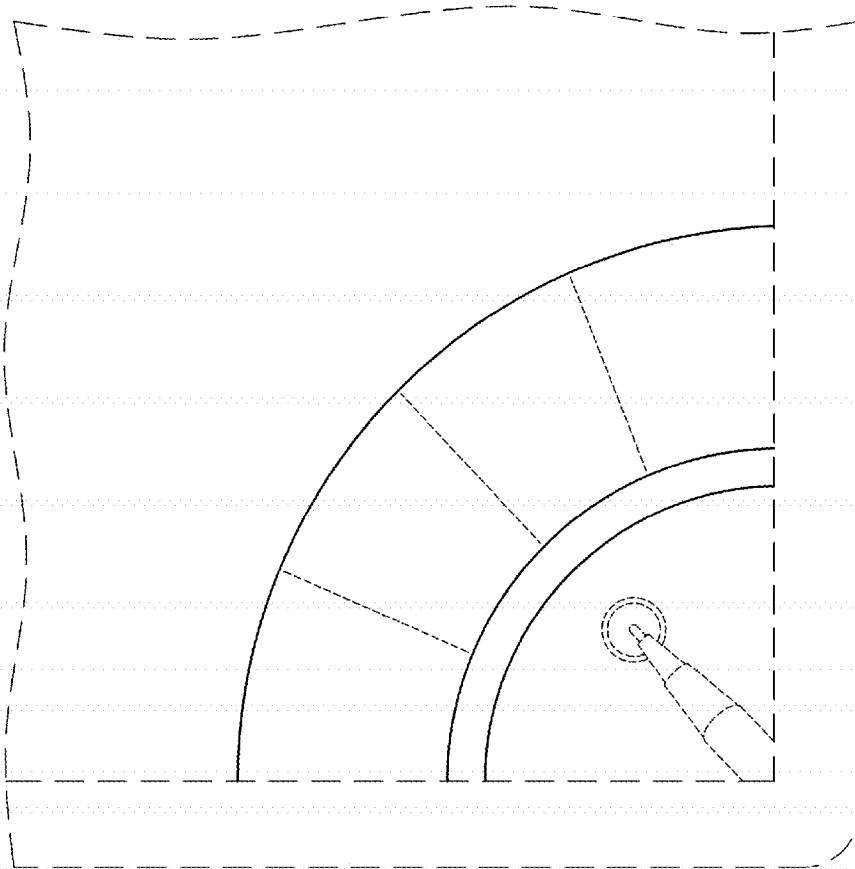


FIG. 2

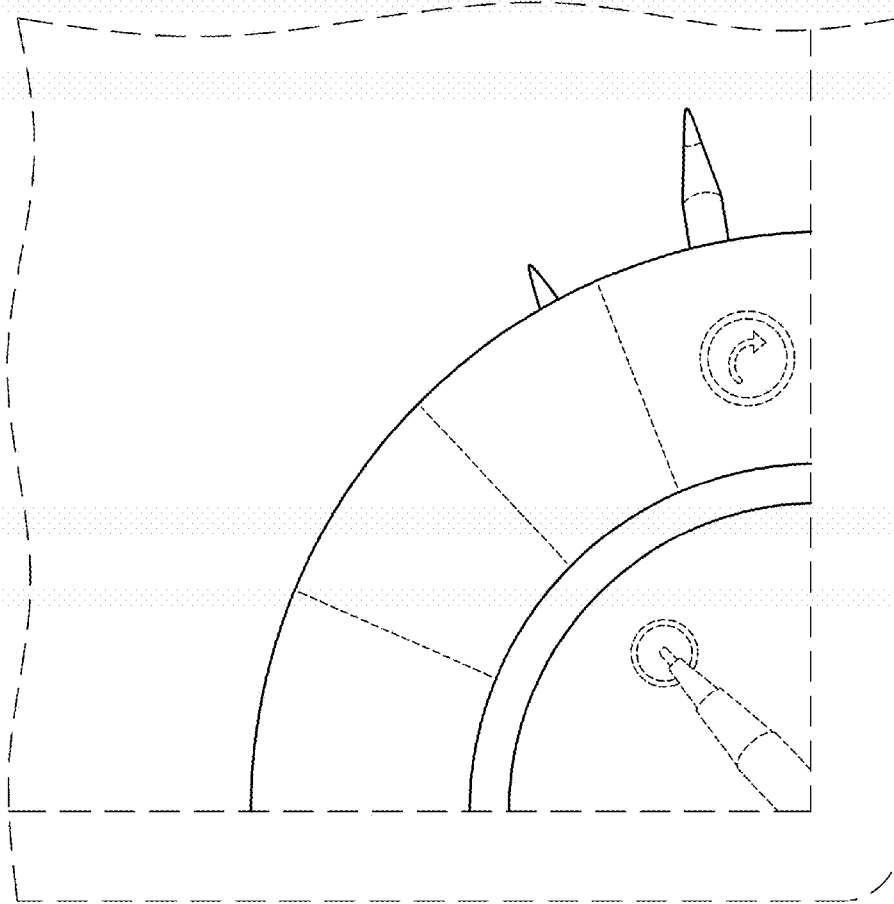


FIG. 3

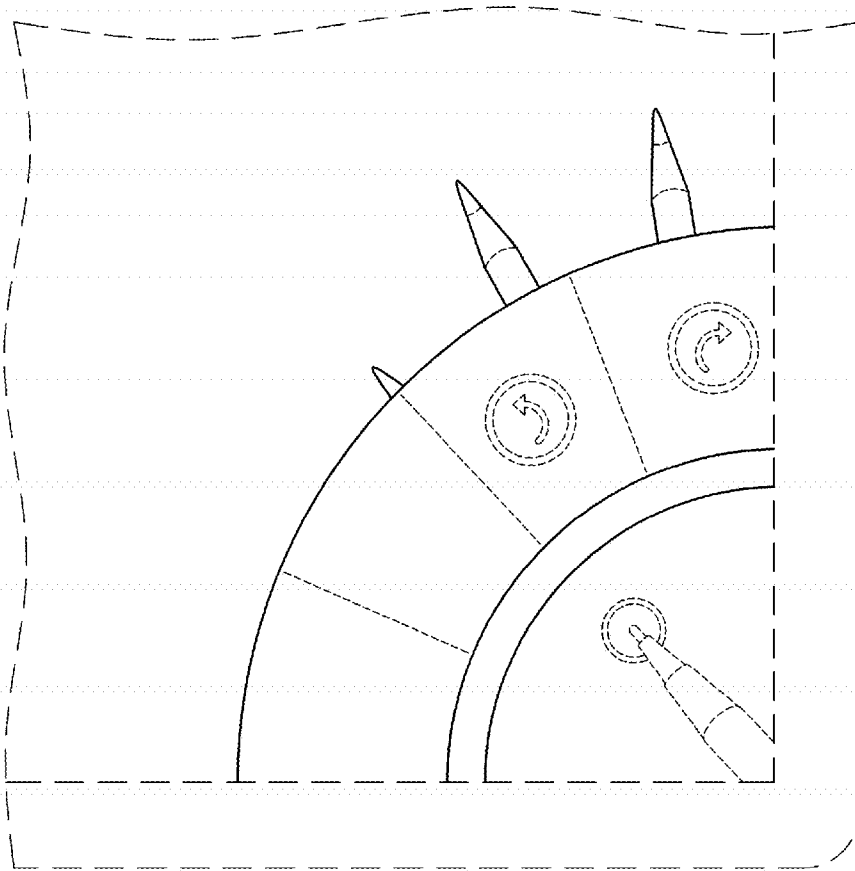


FIG. 4

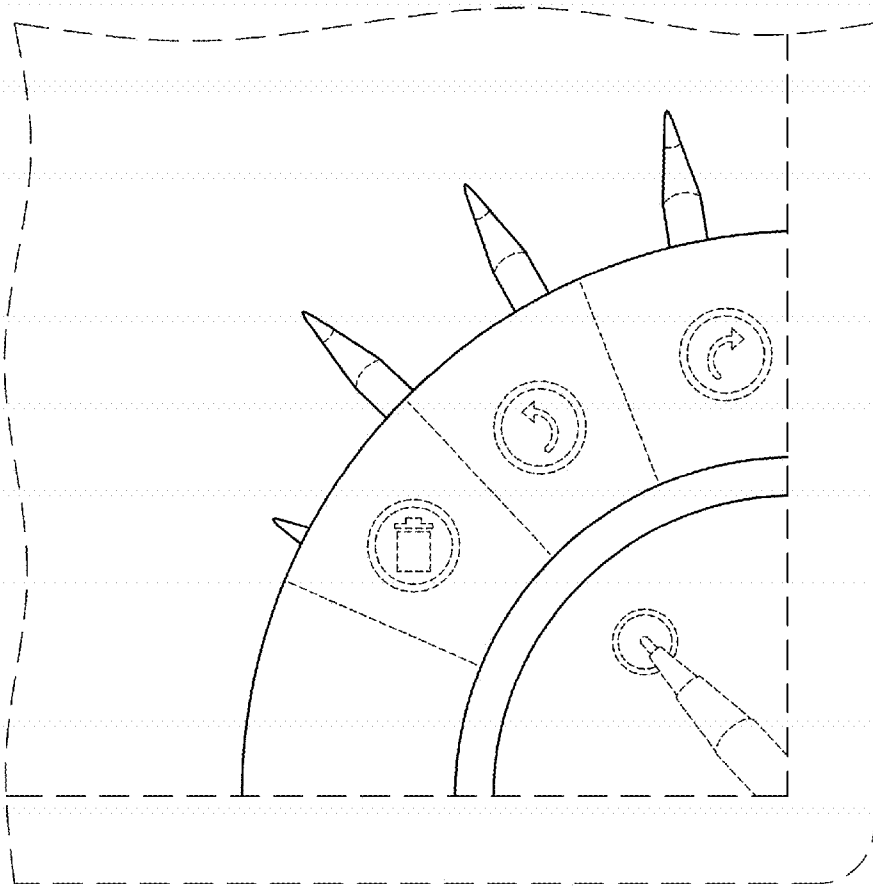


FIG. 5

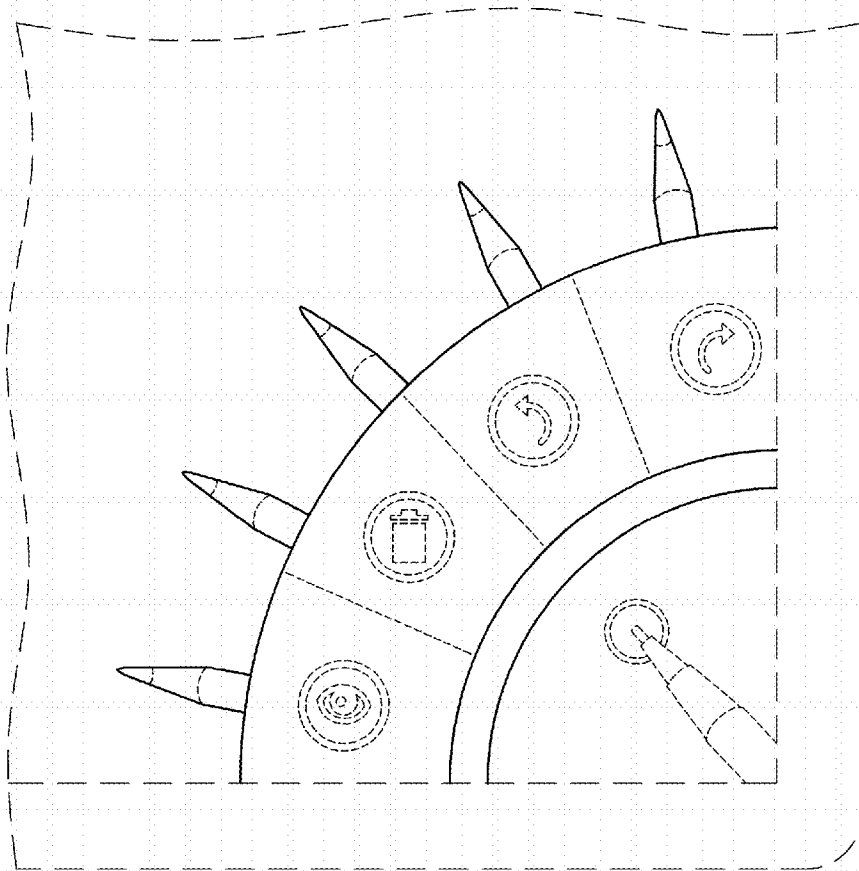


FIG. 6