



US00D489954S

(12) **United States Design Patent** (10) **Patent No.:** **US D489,954 S**
Willer et al. (45) **Date of Patent:** **** May 18, 2004**

- (54) **LATCH OF A CIRCULAR SAW**
- (75) Inventors: **Mark Willer**, Brookfield, WI (US);
Christopher Berg, Milwaukee, WI (US); **Dale Di Iulio**, Grafton, WI (US)
- (73) Assignee: **Milwaukee Electric Tool Corporation**, Brookfield, WI (US)
- (**) Term: **14 Years**
- (21) Appl. No.: **29/178,766**
- (22) Filed: **Mar. 31, 2003**

Related U.S. Application Data

- (63) Continuation-in-part of application No. 29/168,395, filed on Oct. 1, 2002.
- (51) **LOC (7) Cl.** **08-03**
- (52) **U.S. Cl.** **D8/66; D8/331**
- (58) **Field of Search** D8/64, 66, 67, D8/69, 70, 8, 330, 331, 339, 343; 30/371, 375, 376, 377, 388, 389, 390, 391, 394, 504, 514; 125/13.01, 14; 83/478, 546; 144/218; D15/133, 142, 134

(56) **References Cited**

U.S. PATENT DOCUMENTS

D75,652 S	*	6/1928	Russ	D8/343
D77,462 S	*	1/1929	Bartlett	D8/331
1,830,579 A		11/1931	Wappart		
2,795,248 A		6/1957	Doerner		
3,221,783 A	*	12/1965	Kaltenmark et al.	30/389
3,662,796 A		5/1972	Batistelli		
3,938,251 A		2/1976	Kareman		
4,022,182 A	*	5/1977	Lenkevich	125/13.01
4,192,104 A		3/1980	Patenaude		
4,241,505 A		12/1980	Bodycomb, Jr. et al.		
4,253,362 A		3/1981	Olson		
4,255,995 A		3/1981	Connor		

(List continued on next page.)

FOREIGN PATENT DOCUMENTS

DE	1 040 771	10/1958
DE	27 54 186 A1	6/1979

- EP 0 055 896 7/1982
 - EP 0 810 072 A2 12/1997
- (List continued on next page.)

OTHER PUBLICATIONS

Skil, Jan.–Jun. 1974 Consumer Catalog CP–514, Published Jan. 1, 1974, 3 pages.
 Skil, 1973 Catalog for Industry and Construction 1–113, Published Jan. 1, 1973, 2 pages.
 Makita Metal Cutting Saw Website, visited Jan. 4, 2002, 1 page.
 Portion of Bosch Owners Manual, Published on/or about Jul. 14, 2000, pp. 7–10, 2 pages.
 Makita 5044KB—4" Circular Saw Website, visited Apr. 11, 2002, 2 pages.
 Panasonic Cordless Professional Power Tools, 15.6V Metal Cutter/EY3530FQMKW Website, visited Jun. 23, 2000, 2 pages, EY3502FQMKW, visited Jun. 23, 2000, 2 pages.
 Makita On–Line Product Catalog, 18 Volt Cordless 5046 DWB, visited Jun. 23, 2000 and Aug. 1, 2000, 2 pages.
 Makita General Catalog 1996–1997, printed Jan. 1, 1996, 4 pages.

Primary Examiner—James Gandy
Assistant Examiner—Elizabeth Albert
 (74) *Attorney, Agent, or Firm*—Michael Best & Friedrich LLP

(57) **CLAIM**

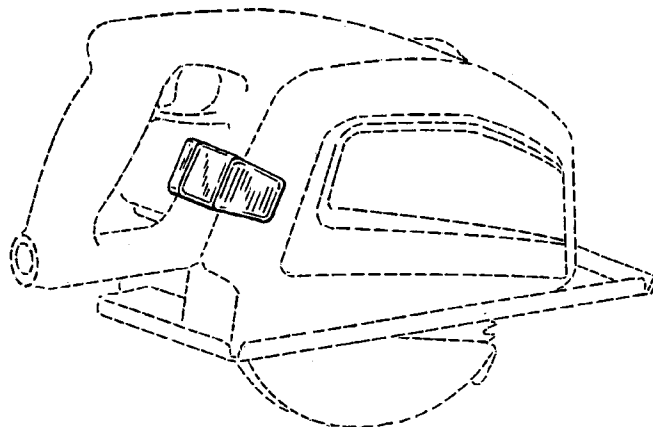
We claim the ornamental design for a latch of a circular saw, as shown and described.

DESCRIPTION

FIG. 1 is a perspective view of a latch of a circular saw embodying aspects of the present invention;
 FIG. 2 is a right side view of the latch of the circular saw of FIG. 1;
 FIG. 3 is a rear view of the latch of the circular saw of FIG. 1;
 FIG. 4 is a left side view of the latch of the circular saw of FIG. 1; and,
 FIG. 5 is a top view of the latch of the circular saw of FIG. 1.

The broken line showing of the environment is for illustrative purposes only and forms no part of the claimed design.

1 Claim, 3 Drawing Sheets



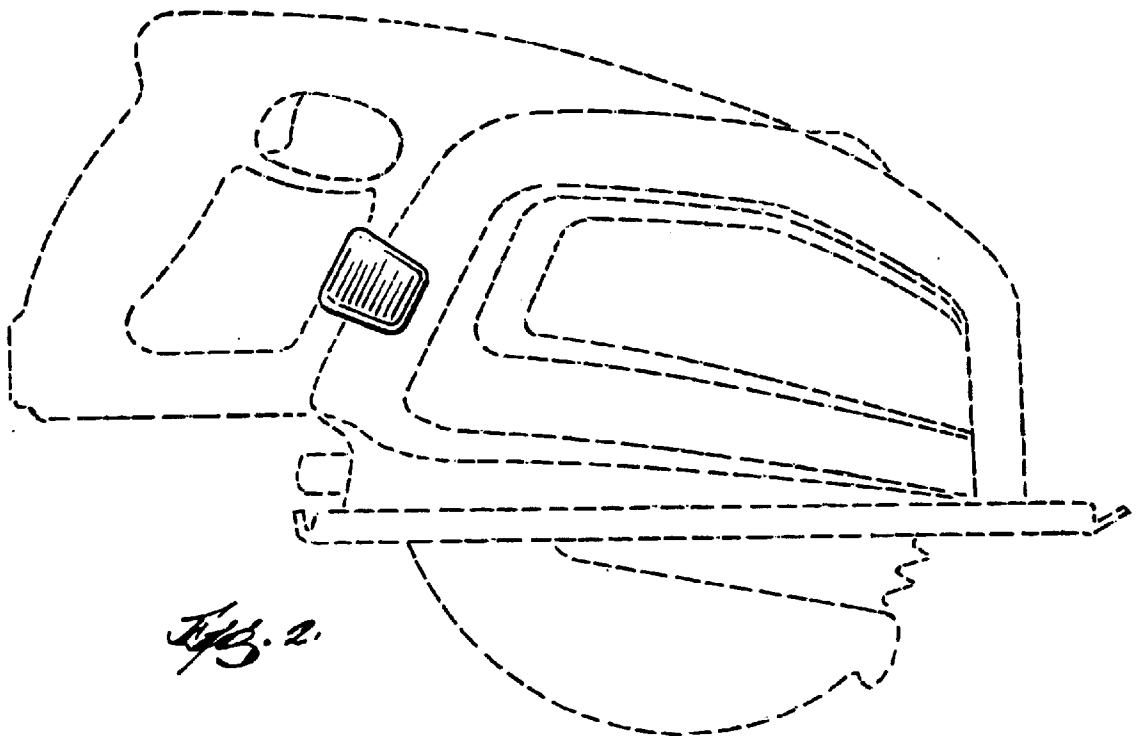
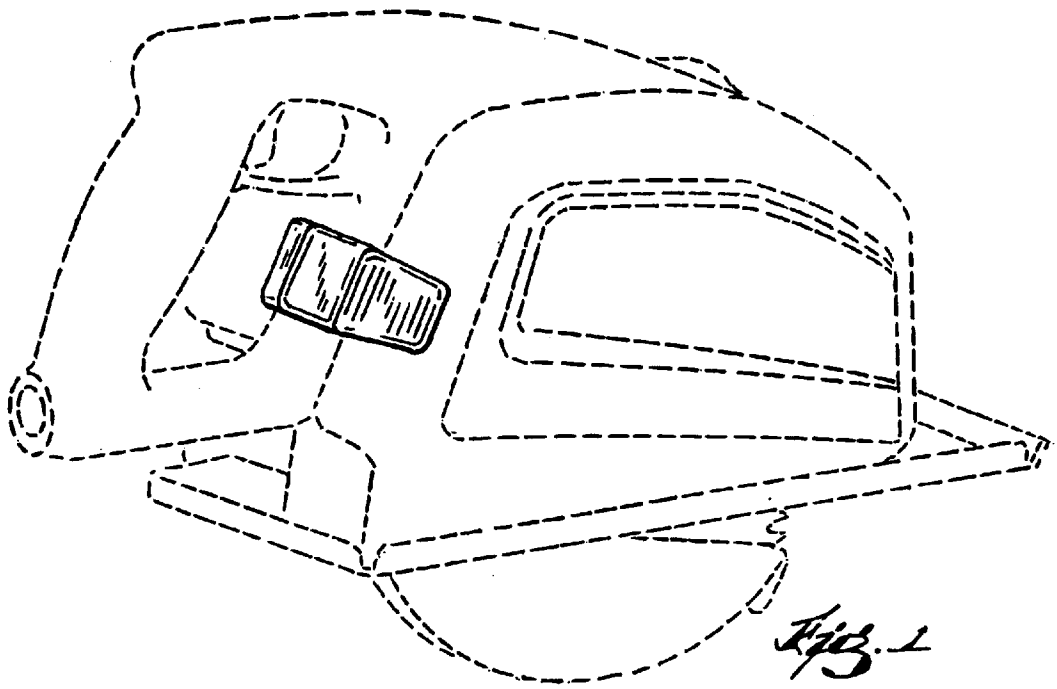
U.S. PATENT DOCUMENTS

4,414,743	A	11/1983	Pioch et al.				
4,450,627	A	5/1984	Morimoto				
4,466,187	A	8/1984	Morimoto				
4,555,849	A	12/1985	Ando et al.				
4,589,208	A	5/1986	Iwasaka et al.				
4,592,144	A	* 6/1986	Tolbert et al.	30/394			
4,675,999	A	* 6/1987	Ito et al.	30/390			
4,721,023	A	1/1988	Bartlett et al.				
4,787,145	A	* 10/1988	Klicker et al.	30/388			
4,847,513	A	7/1989	Katz et al.				
4,856,394	A	8/1989	Clowers				
D304,292	S	* 10/1989	Bobrowski	D8/341			
4,870,758	A	* 10/1989	Fushiya	30/388			
4,873,766	A	10/1989	Johnston				
4,896,572	A	1/1990	Smyth et al.				
4,939,843	A	* 7/1990	Rogers	30/388			
5,005,295	A	* 4/1991	Fushiya	30/390			
5,007,173	A	4/1991	Rush				
5,012,582	A	5/1991	Bristol et al.				
5,023,999	A	6/1991	Looper et al.				
5,033,192	A	7/1991	Franze et al.				
5,074,044	A	* 12/1991	Duncan et al.	125/13.01			
D324,165	S	* 2/1992	Bressler et al.	D8/331			
5,084,972	A	2/1992	Waugh				
D326,399	S	5/1992	Fushiya et al.				
5,121,543	A	6/1992	Onose et al.				
D329,363	S	9/1992	Sasaki et al.				
5,142,825	A	9/1992	Floyd				
5,146,682	A	9/1992	Blochle et al.				
5,165,173	A	* 11/1992	Miller	30/394			
D332,735	S	1/1993	Fushiya et al.				
D348,193	S	6/1994	Sasaki et al.				
5,327,649	A	7/1994	Skinner				
5,349,752	A	9/1994	Stirm				
5,361,501	A	* 11/1994	Fajnsztajn	30/390			
5,370,025	A	12/1994	Itzov				
5,440,809	A	8/1995	Padilla				
5,445,056	A	8/1995	Folci				
D363,656	S	10/1995	Gierke				
5,479,709	A	1/1996	Lai				
5,517,763	A	5/1996	Schilling et al.				
5,537,748	A	7/1996	Takahashi et al.				
D375,439	S	11/1996	Niwa et al.				
5,570,511	A	* 11/1996	Reich et al.	30/390			
5,570,512	A	* 11/1996	Hoppner	30/383			
5,588,213	A	12/1996	Swanberg				
5,594,972	A	1/1997	Iversen				
D378,488	S	3/1997	Ito et al.				
D382,462	S	* 8/1997	Arthurs et al.	D8/343			
5,675,895	A	10/1997	Mori et al.				
5,699,705	A	12/1997	Sibbet				
5,709,595	A	* 1/1998	Bergner et al.	451/356			
D390,081	S	* 2/1998	Price et al.	D8/66			
5,737,843	A	4/1998	Fringer et al.				
5,774,992	A	7/1998	Lindenmuth				
5,782,153	A	7/1998	Sasaki et al.				
5,794,351	A	8/1998	Campbell et al.				
5,819,619	A	10/1998	Miller et al.				
5,822,864	A	10/1998	Campbell et al.				
D400,772	S	11/1998	Gallagher et al.				
5,850,697	A	12/1998	Welch				
5,850,698	A	12/1998	Hurn et al.				
5,855,157	A	1/1999	Okamura et al.				
5,856,715	A	* 1/1999	Peot et al.	30/389			
5,870,827	A	2/1999	Holst				
D408,248	S	4/1999	Zurwelle et al.				
D411,425	S	6/1999	Sugimoto et al.				
5,911,482	A	6/1999	Campbell et al.				
5,924,208	A	7/1999	Saeki				
5,927,171	A	7/1999	Sasaki et al.				
5,931,072	A	8/1999	Shibata				
D415,000	S	10/1999	Sakai et al.				
5,969,312	A	* 10/1999	Svetlik et al.	200/61.85			
D416,181	S	11/1999	Chung				
D418,032	S	12/1999	Watson et al.				
6,009,782	A	1/2000	Tajima et al.				
6,014,811	A	1/2000	Taomo et al.				
6,014,813	A	1/2000	Merino				
6,047,693	A	4/2000	Yamami et al.				
D424,406	S	* 5/2000	Frey	D8/331			
6,055,734	A	5/2000	McCurry et al.				
6,057,608	A	5/2000	Bailey, Jr. et al.				
6,075,341	A	6/2000	White et al.				
D427,501	S	* 7/2000	Berg et al.	D8/105			
D427,872	S	* 7/2000	Snider	D8/66			
D427,873	S	* 7/2000	Inoue	D8/66			
D427,874	S	7/2000	Hayakawa et al.				
6,094,827	A	8/2000	Campbell				
6,167,626	B1	1/2001	Doumani et al.				
6,237,230	B1	* 5/2001	Campbell et al.	30/390			
D445,013	S	7/2001	Etter et al.				
6,269,543	B1	8/2001	Ohkouchi				
6,308,424	B1	10/2001	Stelper				
6,512,188	B2	* 1/2003	Campbell et al.	200/321			
D472,126	S	* 3/2003	Miklosz et al.	D8/70			
D475,265	S	* 6/2003	Hatch et al.	D8/66			
D475,595	S	* 6/2003	Hatch et al.	D8/66			

FOREIGN PATENT DOCUMENTS

GB	2 302 058	1/1997
GB	2 339 404	1/2000
JP	63-7218	1/1988
JP	05004201 A2	1/1993
JP	05031701 A2	2/1993
JP	05318403 A2	12/1993
JP	06278101 A2	10/1994
JP	06278102 A2	10/1994
JP	06278103 A2	10/1994
JP	09164508 A2	6/1997
JP	11058303 A2	3/1999
JP	2000015602 A2	1/2000
JP	2000176908 A2	6/2000
WO	WO 00/43179	7/2000

* cited by examiner



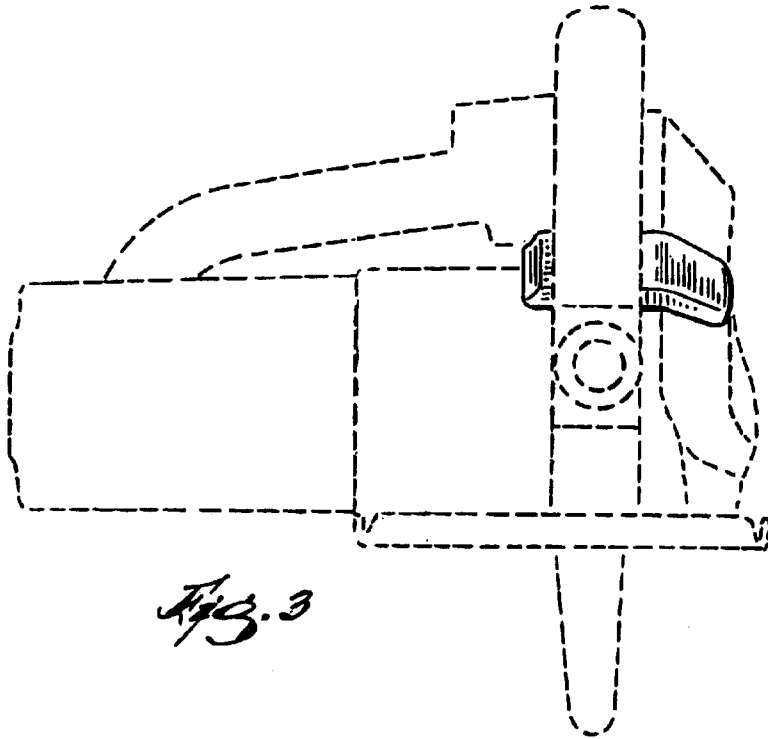


Fig. 3

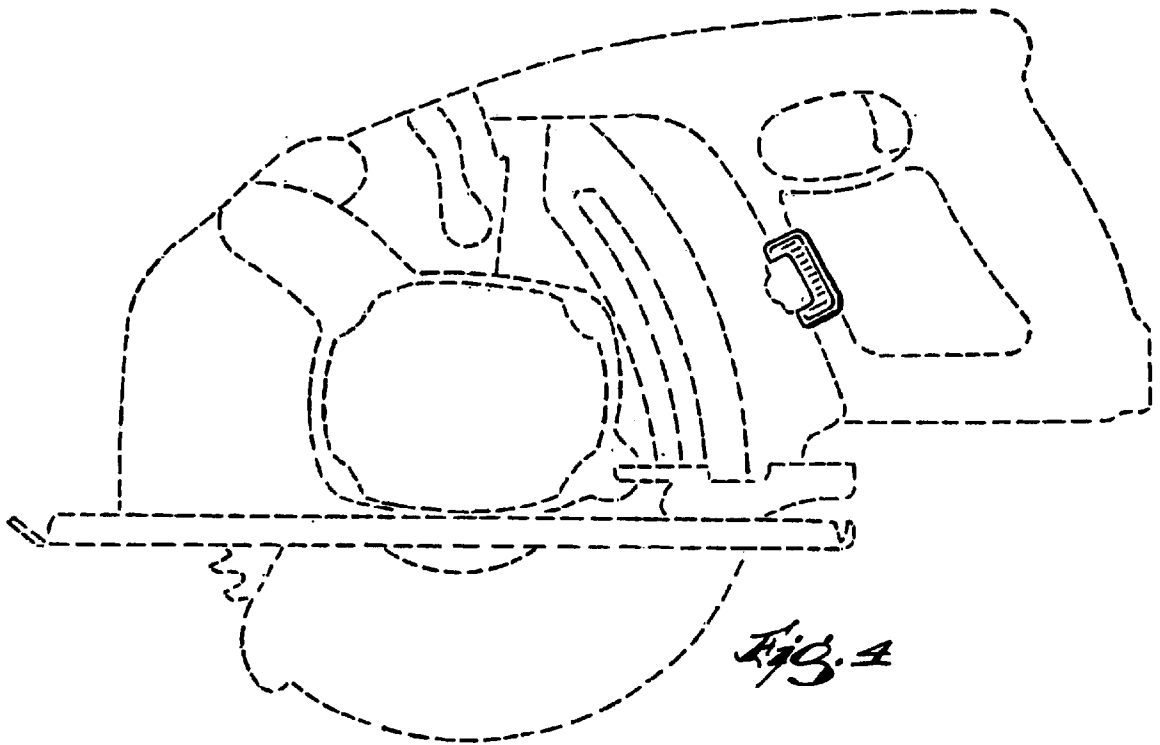


Fig. 4

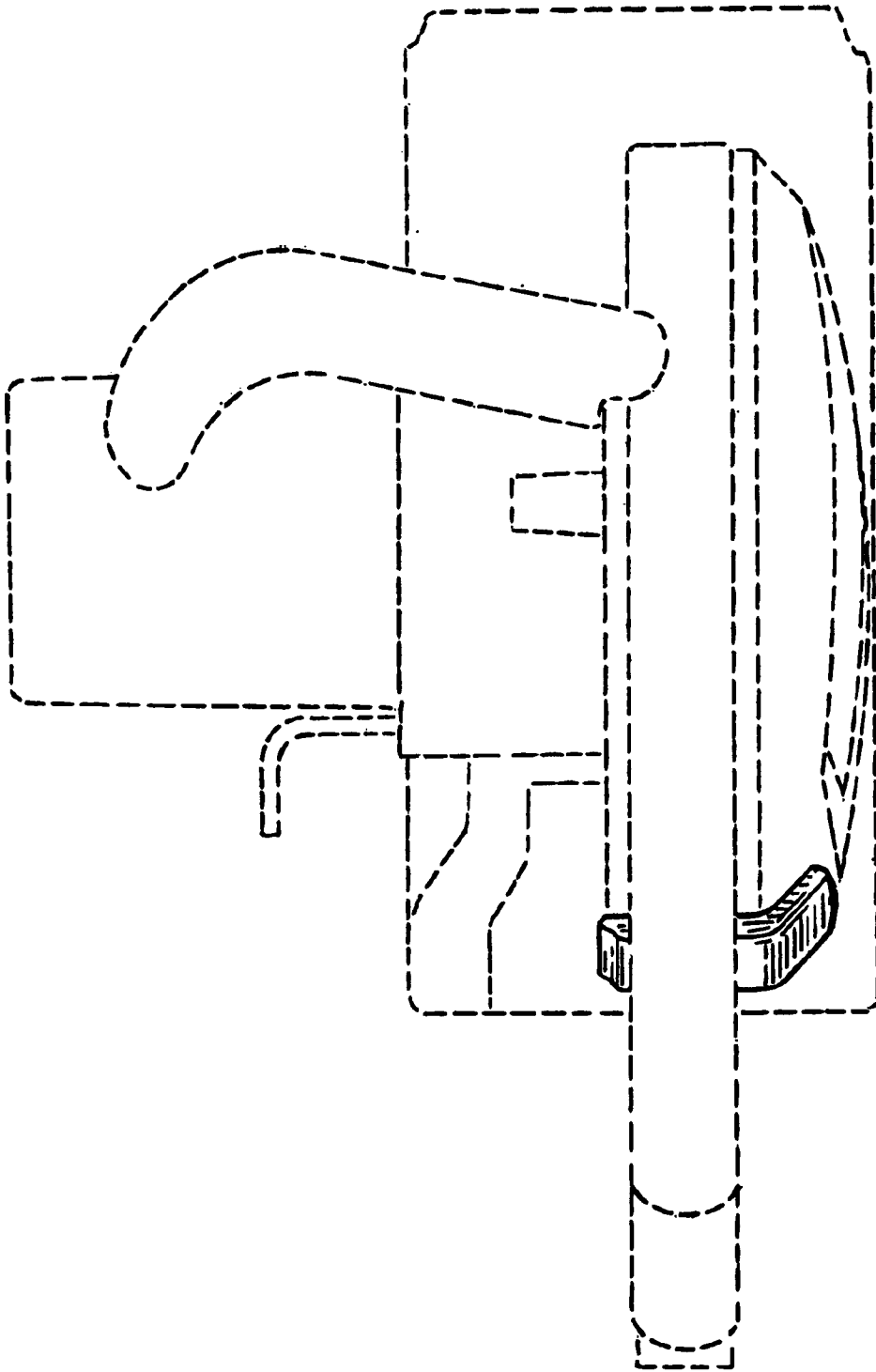


Fig. 5