



US00D970514S

(12) **United States Design Patent**
Chen

(10) **Patent No.:** **US D970,514 S**

(45) **Date of Patent:** **** Nov. 22, 2022**

(54) **TV GAME STICK**

(71) Applicant: **Yancan Chen**, Chaozhou (CN)

(72) Inventor: **Yancan Chen**, Chaozhou (CN)

(**) Term: **15 Years**

(21) Appl. No.: **29/801,286**

(22) Filed: **Jul. 28, 2021**

(51) **LOC (13) Cl.** **14-03**

(52) **U.S. Cl.**

USPC **D14/480.5**

(58) **Field of Classification Search**

USPC D14/480.1–480.7, 435.1, 411, 433, 436,
D14/484.1, 137, 155, 203.1–203.8, 240,
D14/242, 496, 474, 348, 353, 356;
D13/133, 154

CPC H05K 5/0278; G06K 19/07732; G06K
19/0723; G07C 9/00857

See application file for complete search history.

(56) **References Cited**

U.S. PATENT DOCUMENTS

| | | | | |
|--------------|---------|----------|-------|-----------|
| D492,307 S * | 6/2004 | Aqqad | | D14/480.5 |
| D520,996 S * | 5/2006 | Deng | | D14/480.5 |
| D583,374 S * | 12/2008 | Otsuka | | D14/480.5 |
| D583,816 S * | 12/2008 | Guccione | | D14/480.5 |
| D610,134 S * | 2/2010 | Gotzen | | D14/188 |
| D630,640 S * | 1/2011 | Kuo | | D14/480.5 |
| D631,055 S * | 1/2011 | Gilbert | | D14/242 |
| D642,585 S * | 8/2011 | Lan | | D14/480.5 |
| D670,297 S * | 11/2012 | Huang | | D14/480.5 |
| D688,255 S * | 8/2013 | Daniel | | D14/480.4 |

| | | | | |
|--------------|--------|--------------|-------|-----------|
| D689,503 S * | 9/2013 | Wu | | D14/480.5 |
| D724,602 S * | 3/2015 | Lin | | D14/480.5 |
| D729,277 S * | 5/2015 | Uchida | | D14/496 |
| D781,867 S | 3/2017 | Aulert | | |
| D807,897 S | 1/2018 | Dahan | | |
| D848,445 S | 5/2019 | Aulert | | |
| D910,623 S | 2/2021 | Cueto et al. | | |

* cited by examiner

Primary Examiner — Angela J Lee

(74) *Attorney, Agent, or Firm* — Xuan Zhang

(57) **CLAIM**

The ornamental design for a TV game stick, as shown and described.

DESCRIPTION

FIG. 1 is a perspective view of a TV game stick showing my new design.

FIG. 2 is a front view thereof, but shown without the cap of the TV game stick for clarity of illustration;

FIG. 3 is a rear view thereof without the cap;

FIG. 4 is a bottom view thereof;

FIG. 5 is a top view thereof without the cap;

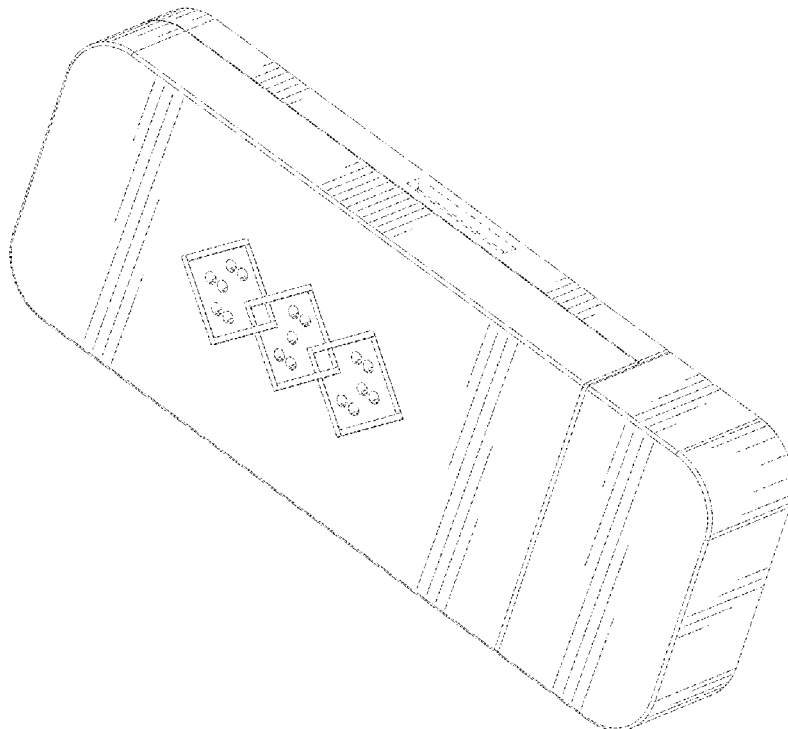
FIG. 6 is a left view thereof without the cap;

FIG. 7 is a right view thereof without the cap; and,

FIG. 8 is an exploded perspective view thereof, but shown with the cap and a broken line memory card being inserted into the TV game stick.

The broken lines in the drawings are included for the purpose of illustrating environmental structure and form no part of the claimed design.

1 Claim, 8 Drawing Sheets



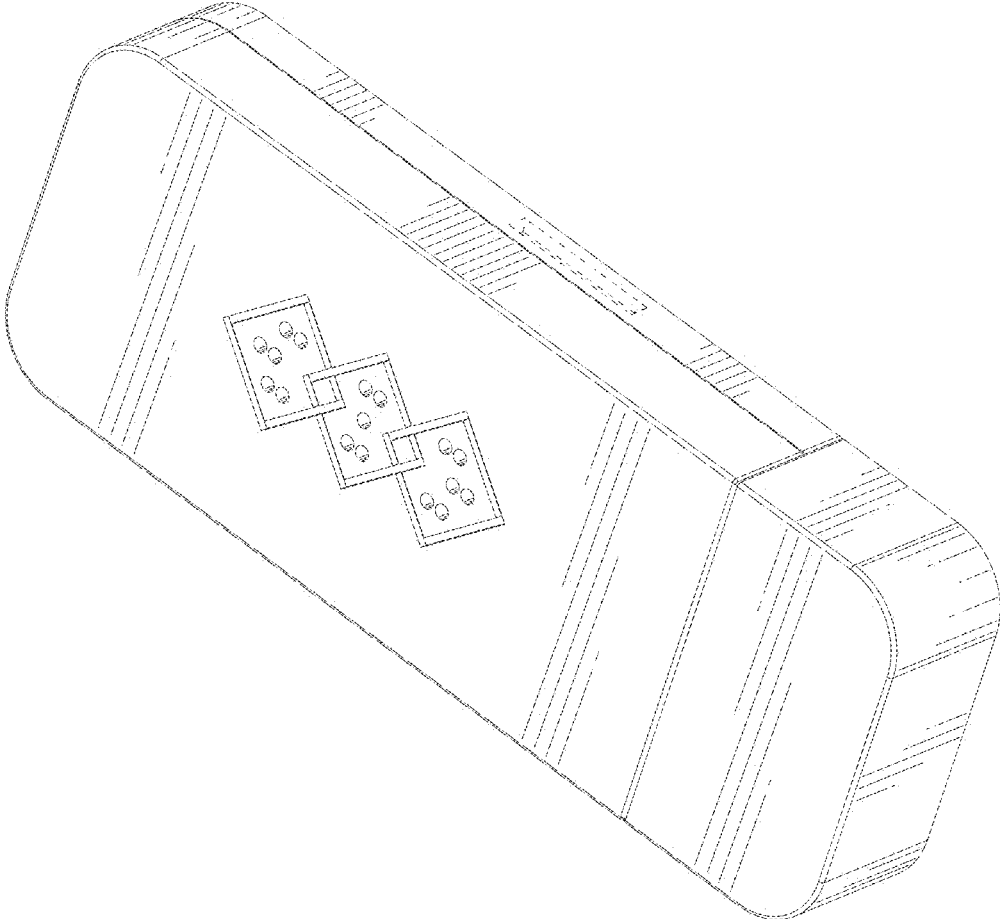


FIG.1

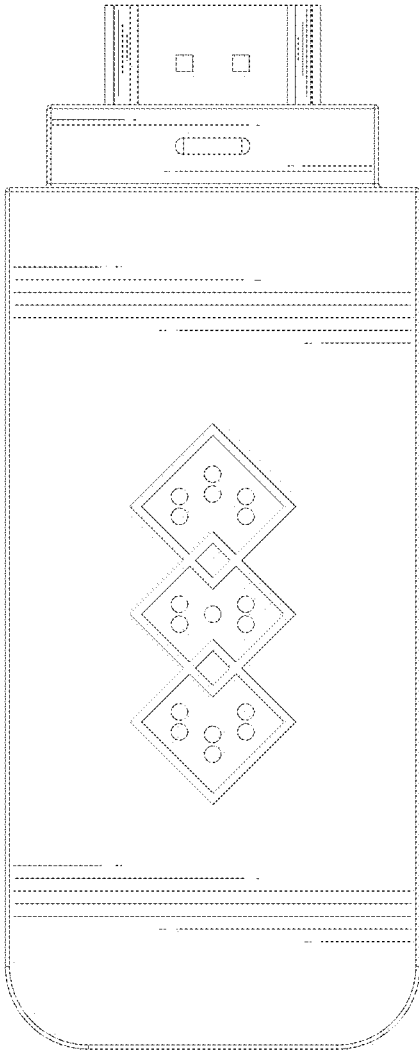


FIG.2

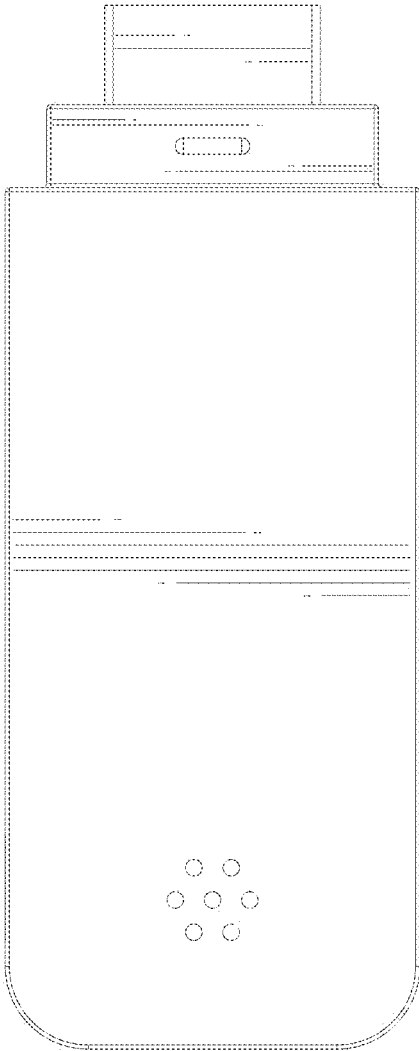


FIG.3

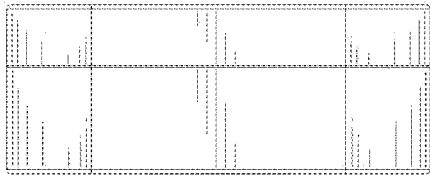


FIG.4

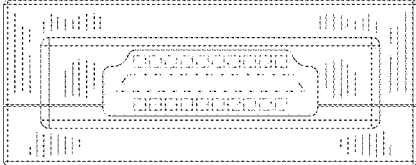


FIG.5

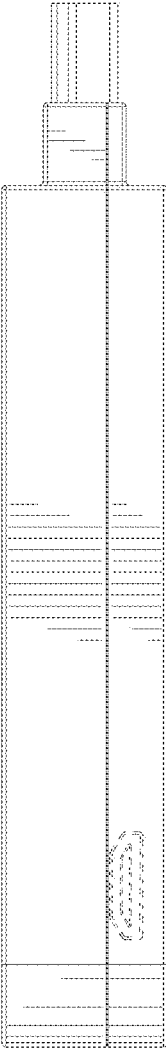


FIG. 6

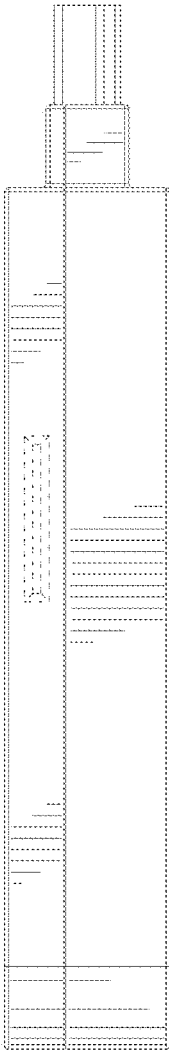


FIG.7

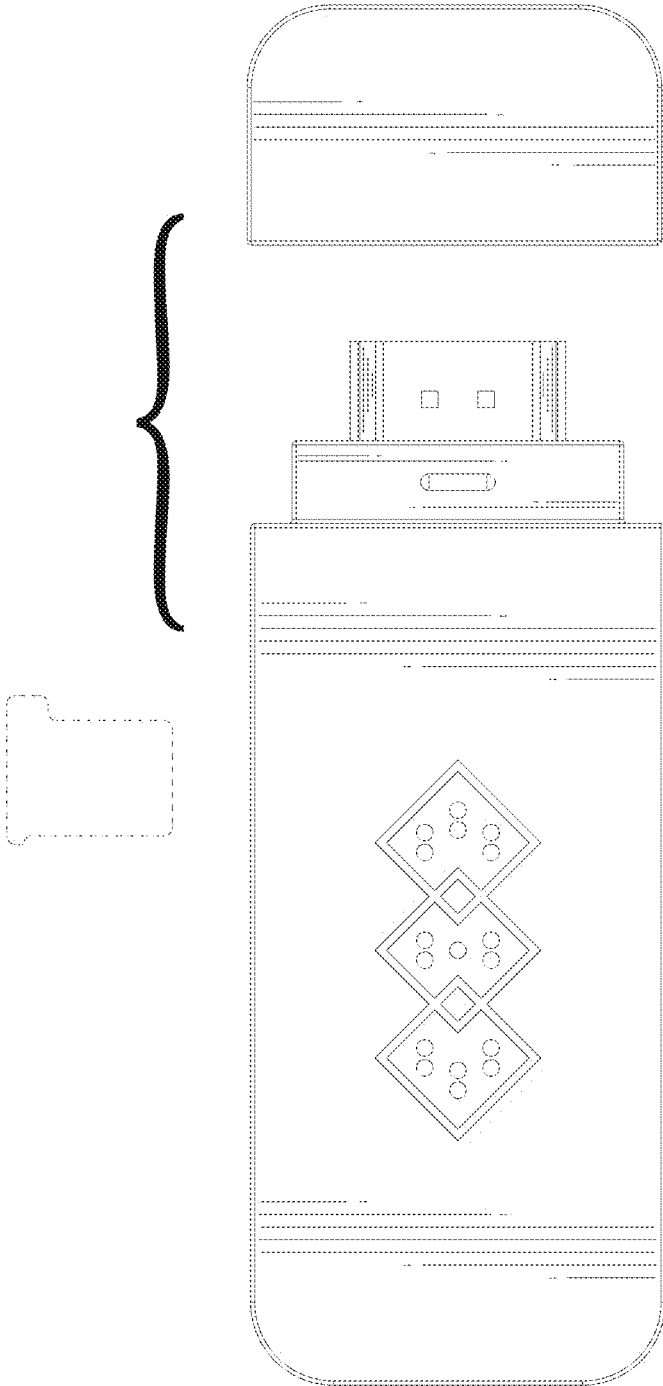


FIG.8