



US00D976598S

(12) **United States Design Patent**
Yu

(10) **Patent No.:** **US D976,598 S**

(45) **Date of Patent:** **** Jan. 31, 2023**

(54) **STEP STOOL**

(71) Applicant: **Xiaoting Yu**, Taizhou (CN)

(72) Inventor: **Xiaoting Yu**, Taizhou (CN)

(**) Term: **15 Years**

(21) Appl. No.: **29/853,111**

(22) Filed: **Sep. 13, 2022**

(30) **Foreign Application Priority Data**

Sep. 7, 2022 (CN) 202230590697.8

(51) **LOC (14) Cl.** **06-03**

(52) **U.S. Cl.**
USPC **D6/350**

(58) **Field of Classification Search**
USPC D6/335, 336, 349-353; D25/64, 65
CPC A47C 12/00; A47C 12/02; A47C 13/00
See application file for complete search history.

(56) **References Cited**

U.S. PATENT DOCUMENTS

D240,220 S *	6/1976	Meyer	D21/802
5,937,968 A *	8/1999	Gibson	E06C 1/393
				182/129
D449,386 S *	10/2001	Cheris	D25/65
D828,049 S	9/2018	Khubani	
D923,950 S *	7/2021	Marsden	D6/349
D924,577 S *	7/2021	Marsden	D6/349
D925,934 S *	7/2021	Marsden	D6/349
D925,935 S	7/2021	Marsden	
D934,583 S *	11/2021	Marsden	D6/350
D955,124 S *	6/2022	Xu	D6/350
D961,949 S *	8/2022	Hu	D6/350

D962,663 S *	9/2022	Chen	D6/350
2021/0076830 A1 *	3/2021	Marsden	E06C 7/081
2022/0369820 A1 *	11/2022	Zhu	E06C 1/393

* cited by examiner

Primary Examiner — S. Bryan Reinholdt, Jr.

Assistant Examiner — Julia S Folkart

(74) *Attorney, Agent, or Firm* — Daniel M. Cohn;
Howard M. Cohn

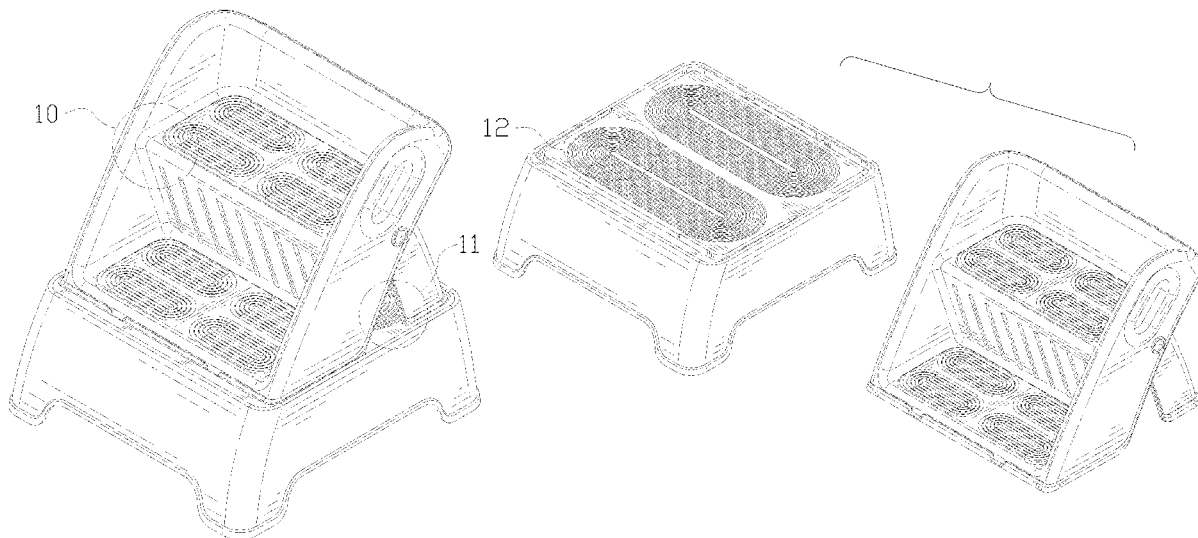
(57) **CLAIM**

The ornamental design for a step stool, as shown and described.

DESCRIPTION

FIG. 1 is a perspective view of a step stool showing my new design;
 FIG. 2 is another perspective view thereof;
 FIG. 3 is a front elevational view thereof;
 FIG. 4 is a rear elevational view thereof;
 FIG. 5 is a left side elevational view thereof;
 FIG. 6 is a right side elevational view thereof;
 FIG. 7 is a top plan view thereof;
 FIG. 8 is a bottom plan view thereof;
 FIG. 9 is an exploded perspective view of the step stool;
 FIG. 10 is an enlarged view of portion 10 shown in FIG. 1;
 FIG. 11 is an enlarged view of portion 11 shown in FIG. 1;
 and,
 FIG. 12 is an enlarged view of portion 12 shown in FIG. 9.
 The dash-dash broken lines in the drawings depict portions of the step stool that form no part of the claimed design. The dot-dash broken lines represent boundaries of the enlarged portions and form no part of the claimed design.

1 Claim, 12 Drawing Sheets



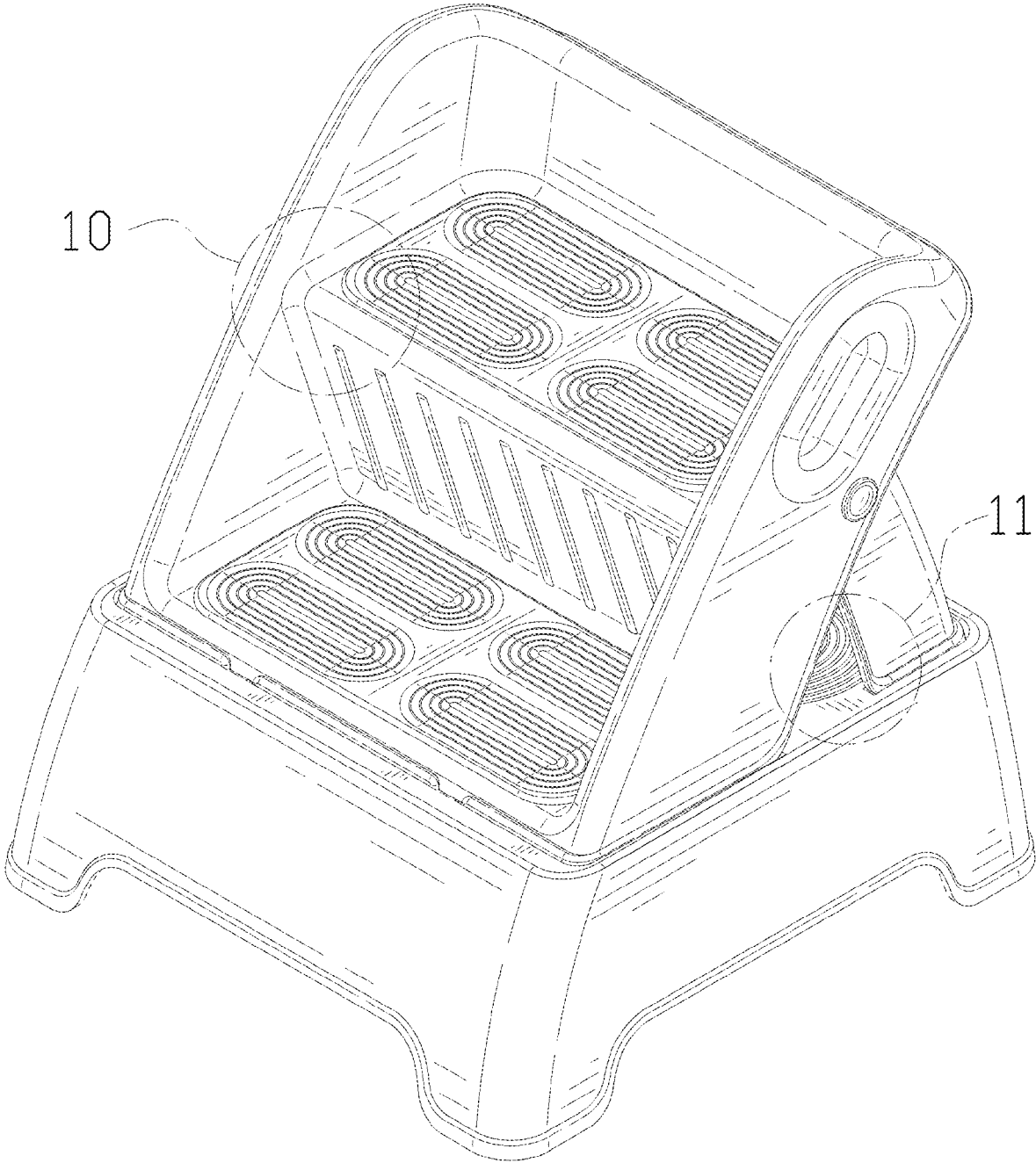


FIG. 1

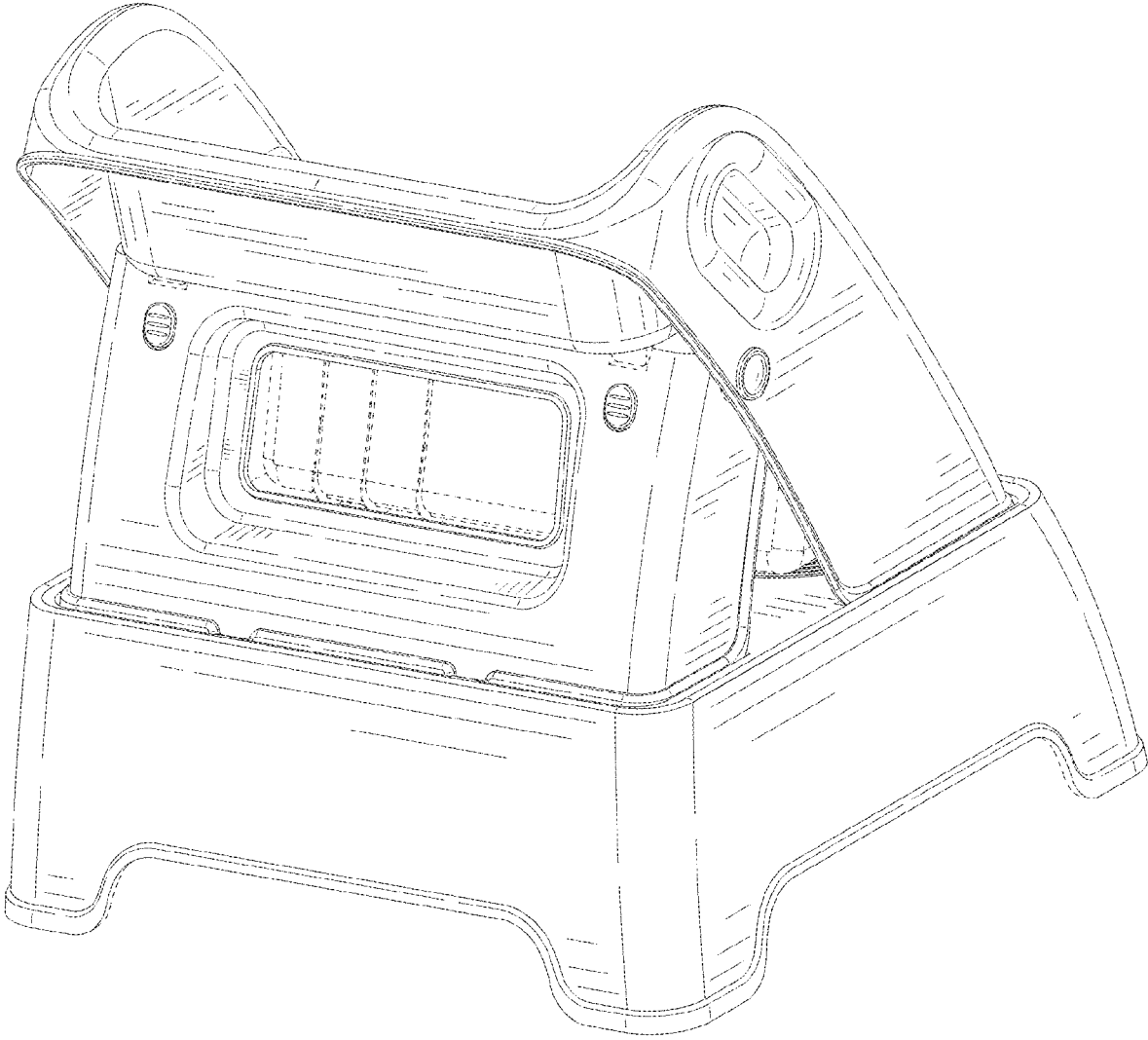


FIG. 2

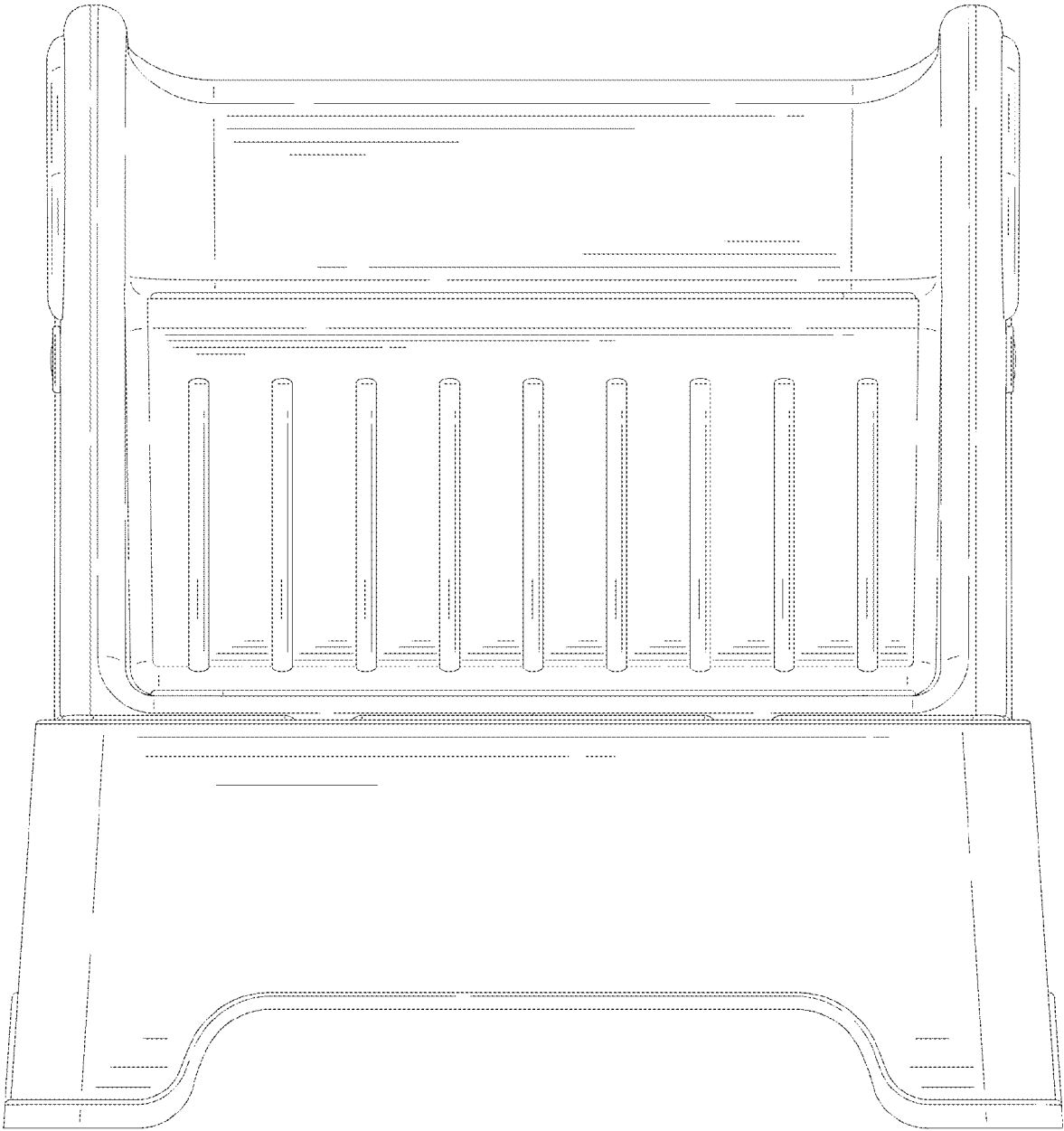


FIG. 3

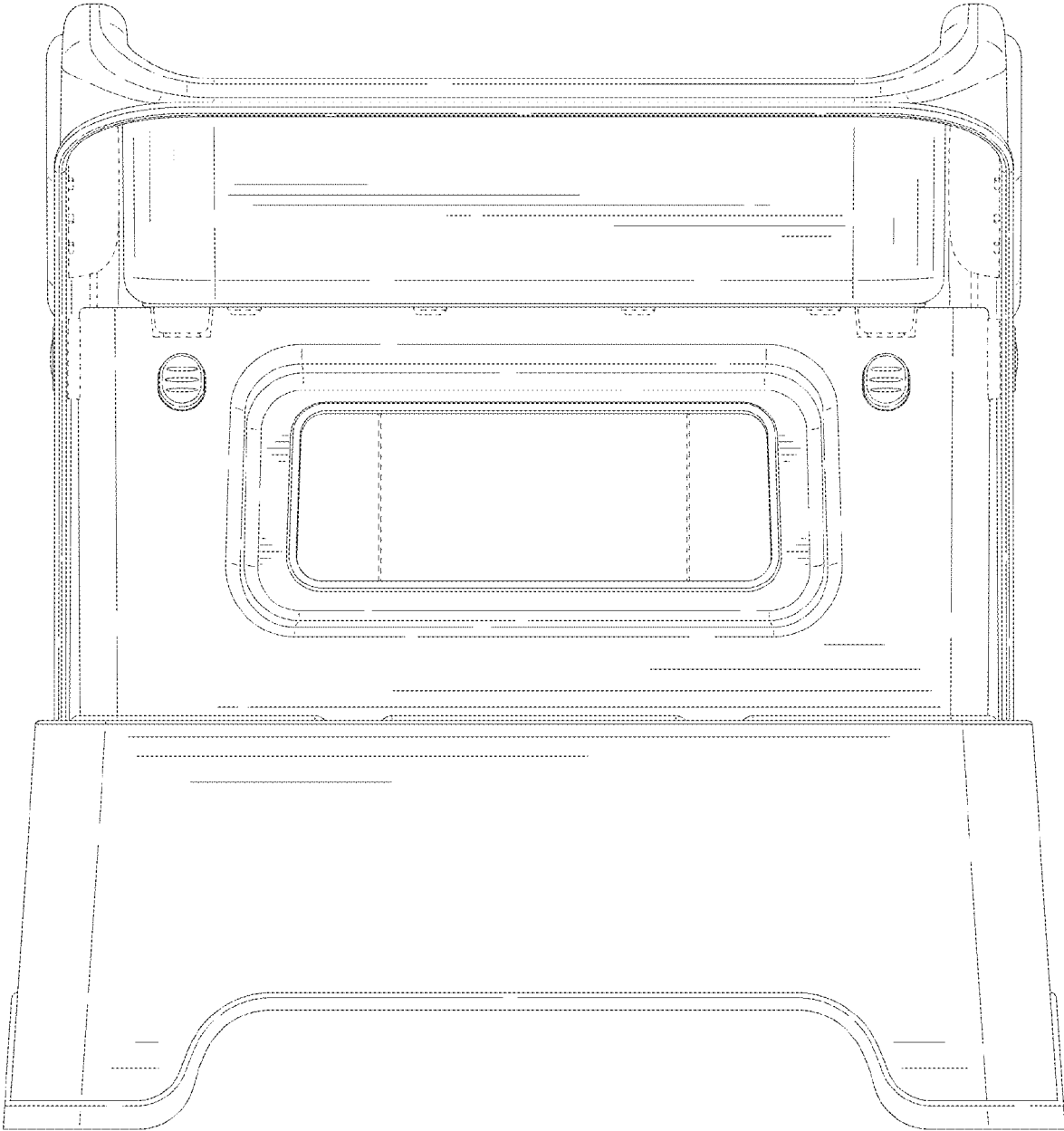


FIG. 4

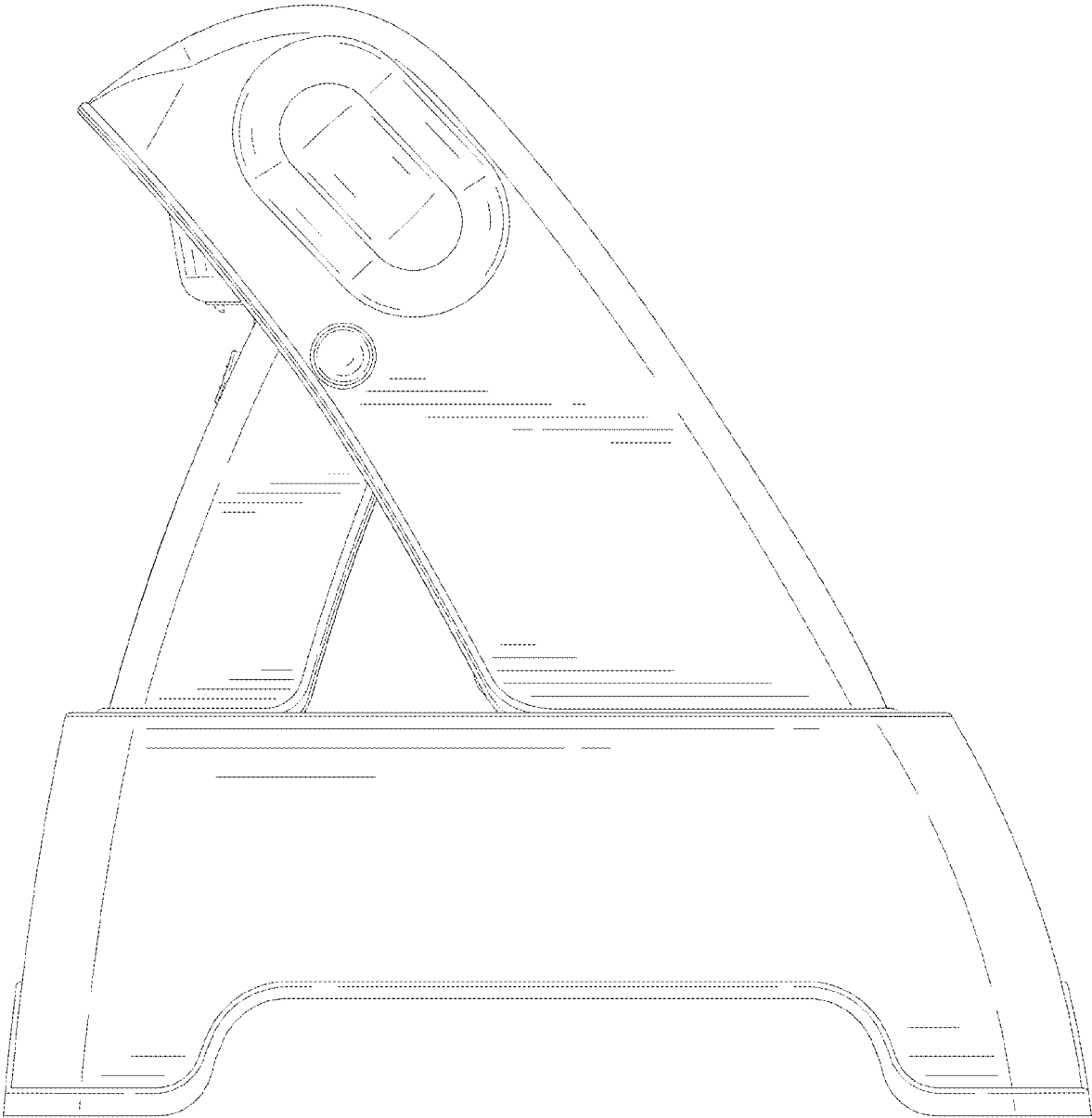


FIG. 5

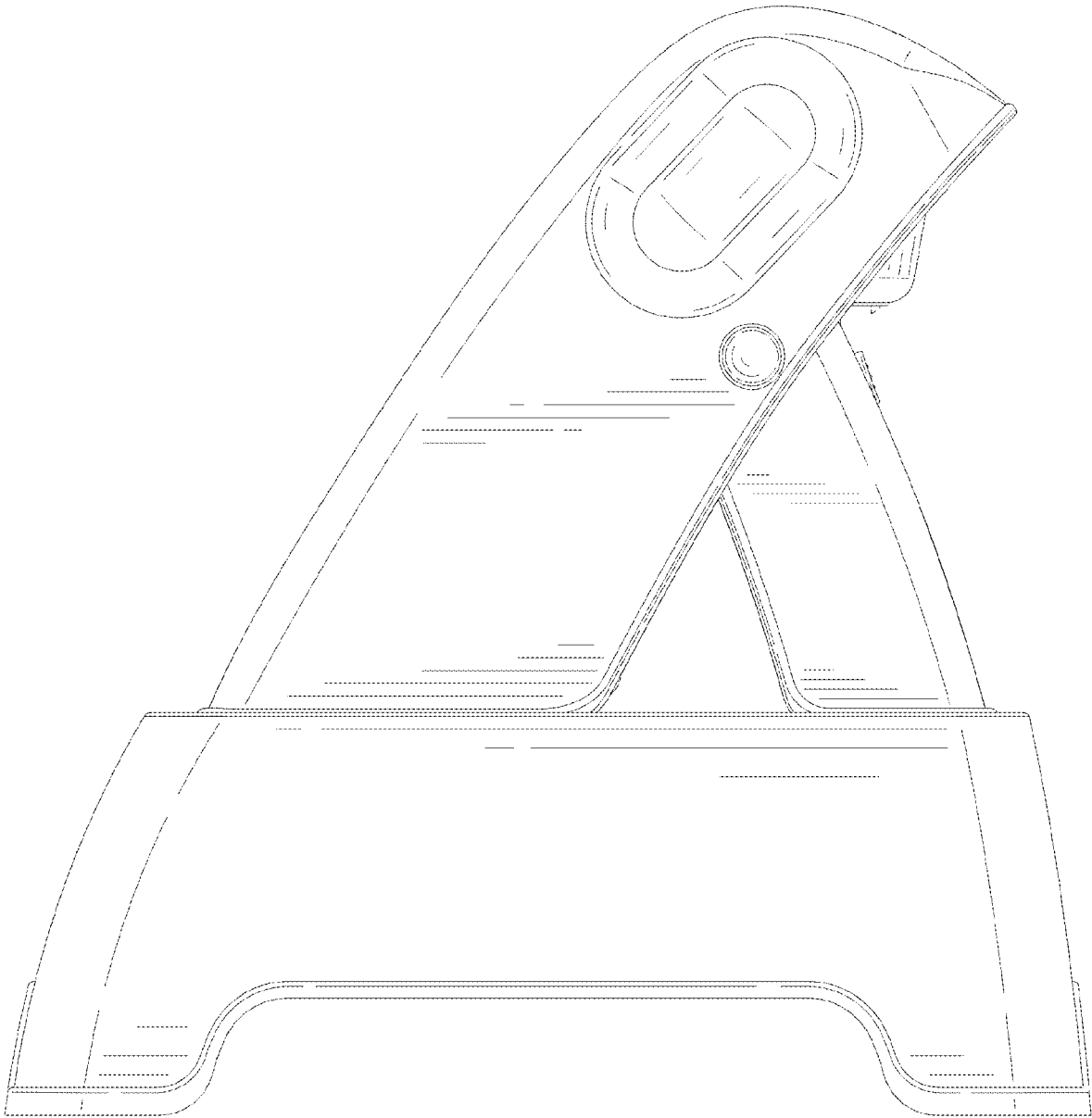


FIG. 6

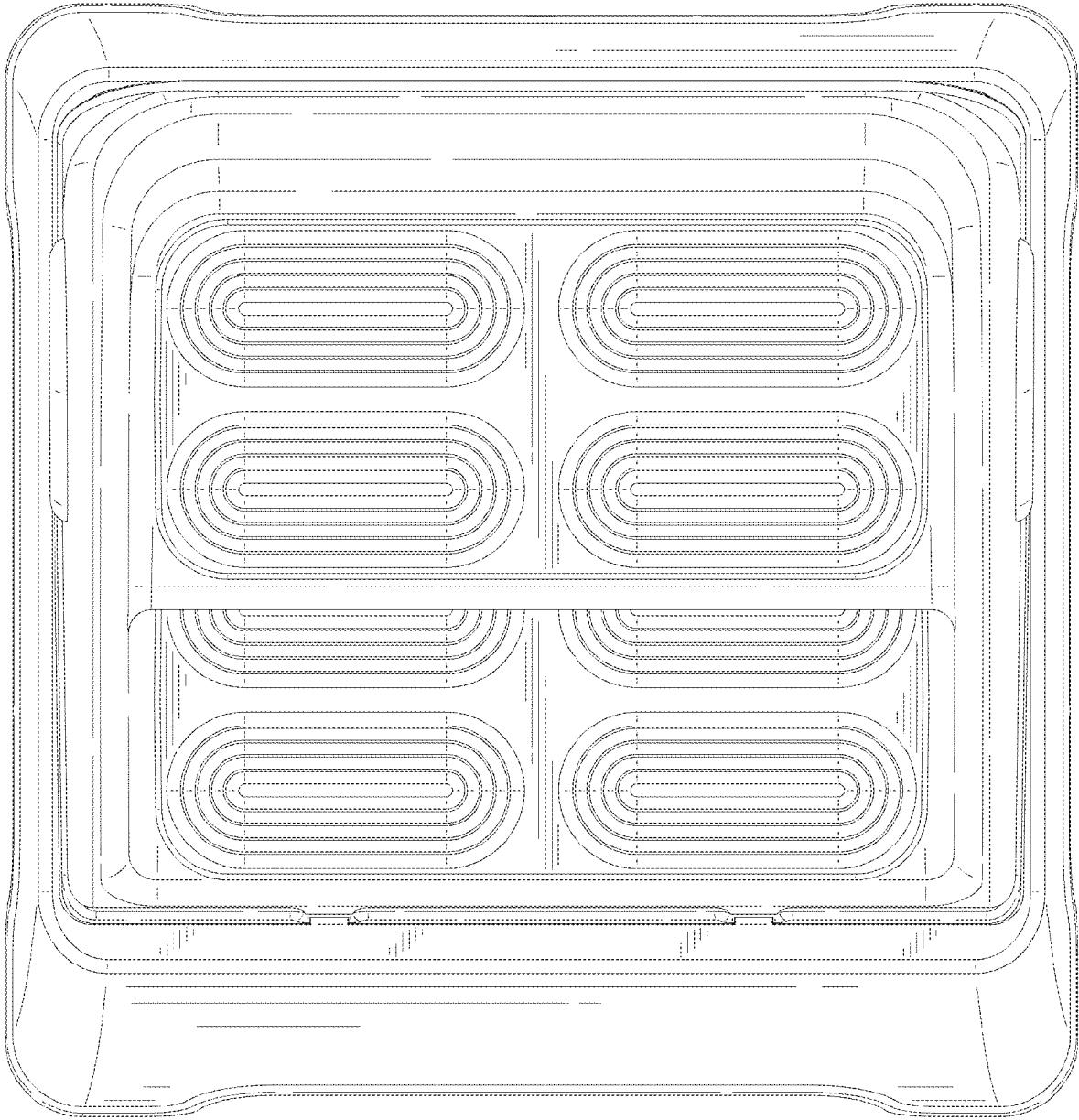


FIG. 7

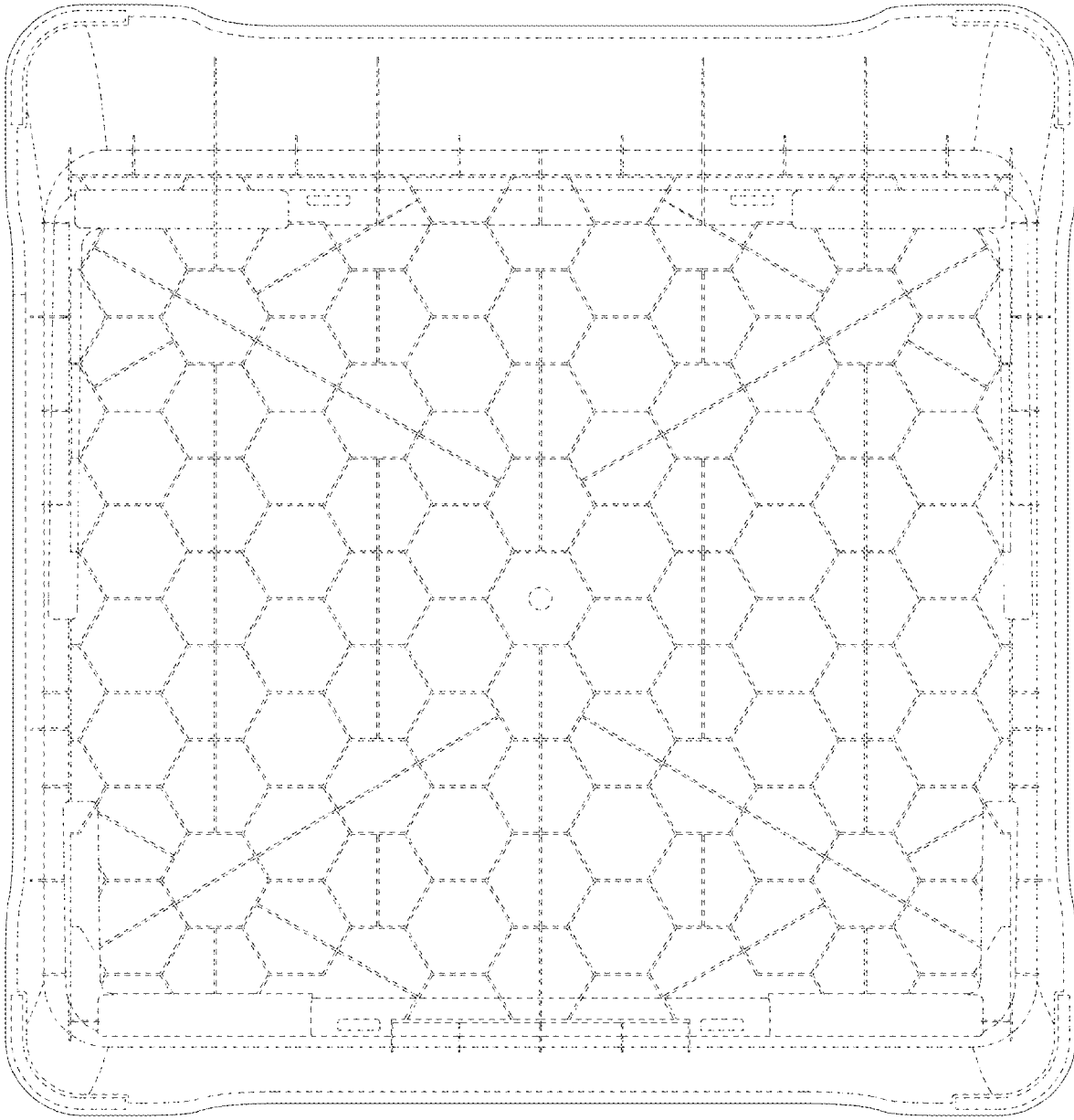


FIG. 8

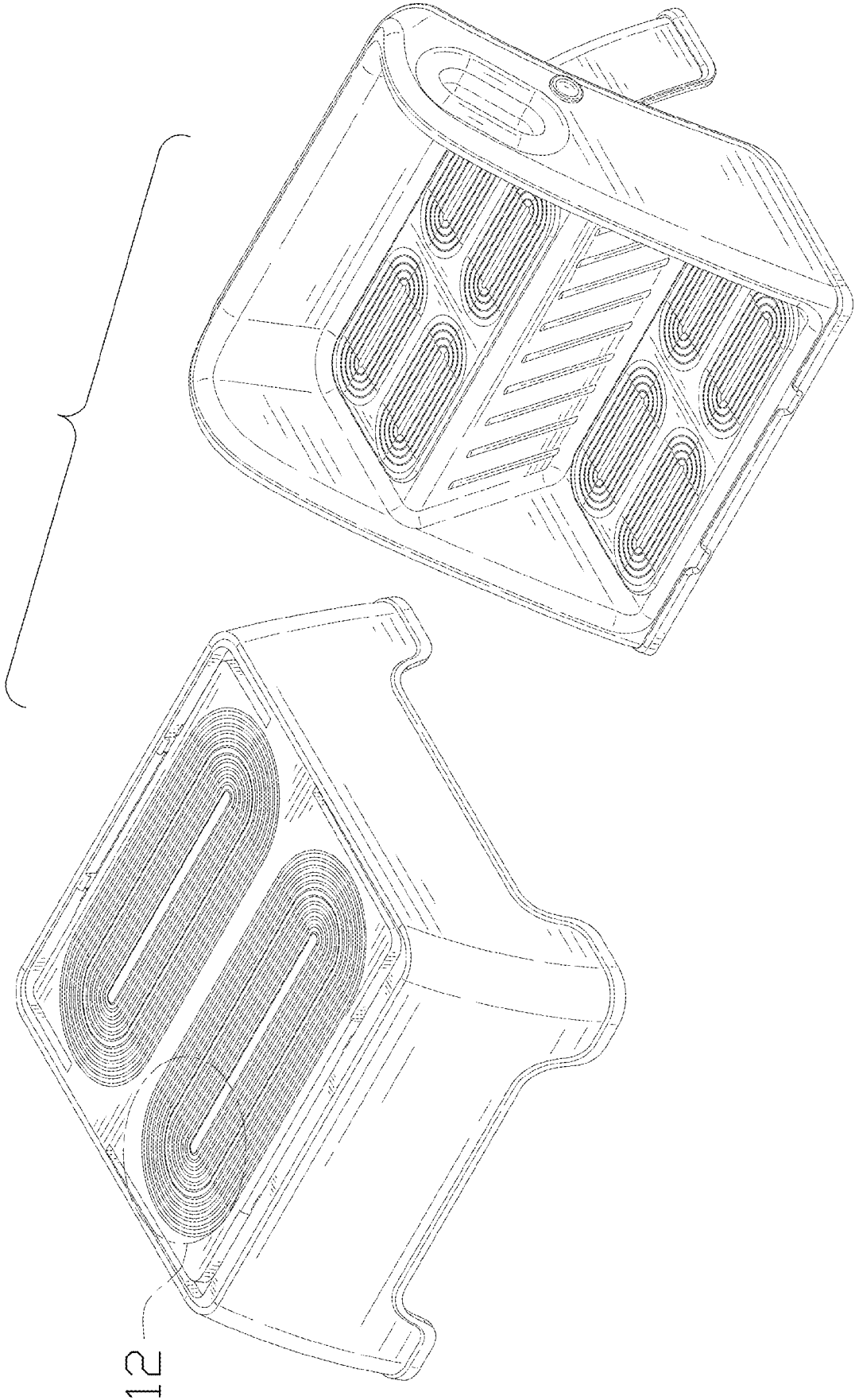


FIG. 9

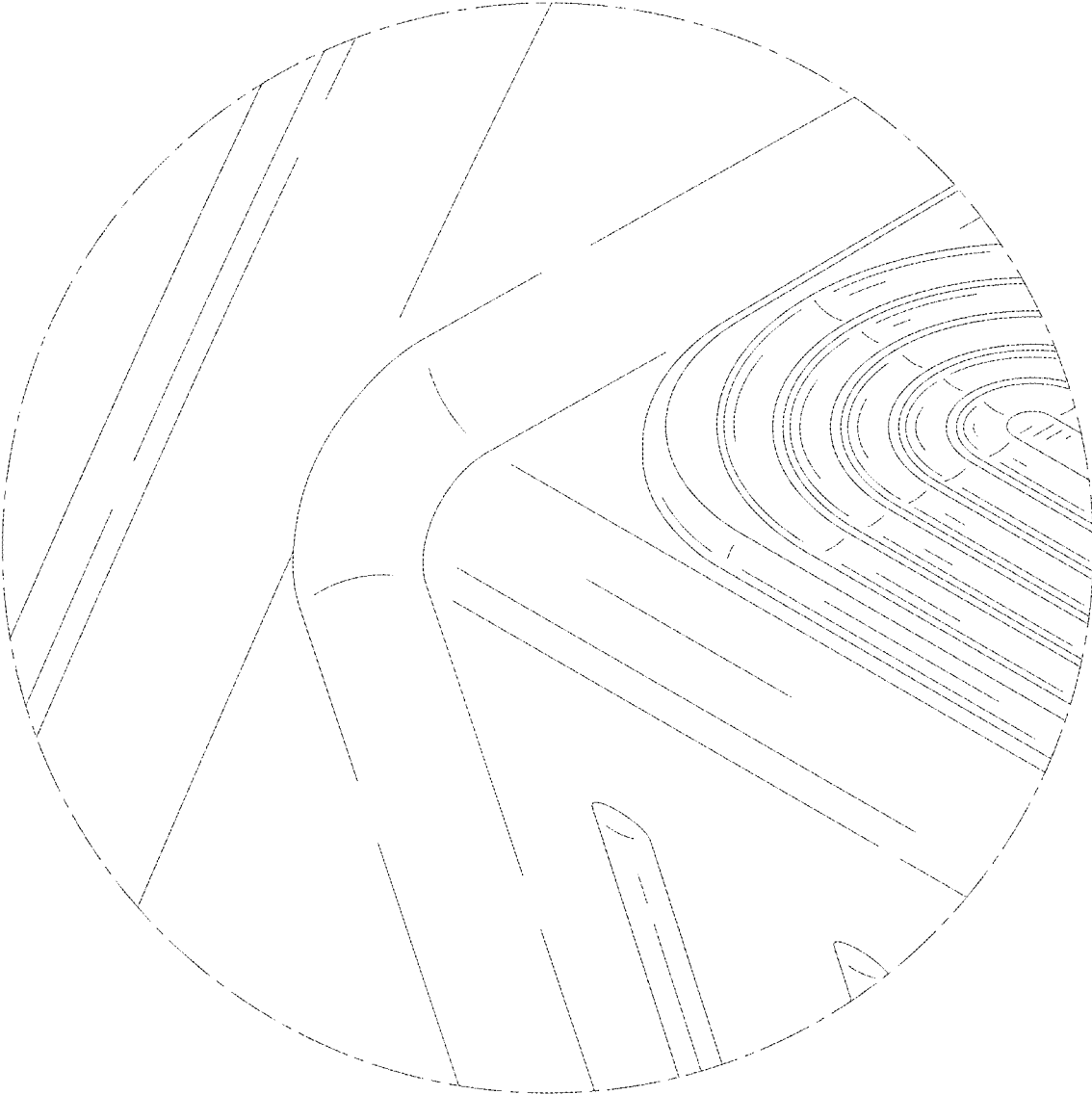


FIG. 10



FIG. 11

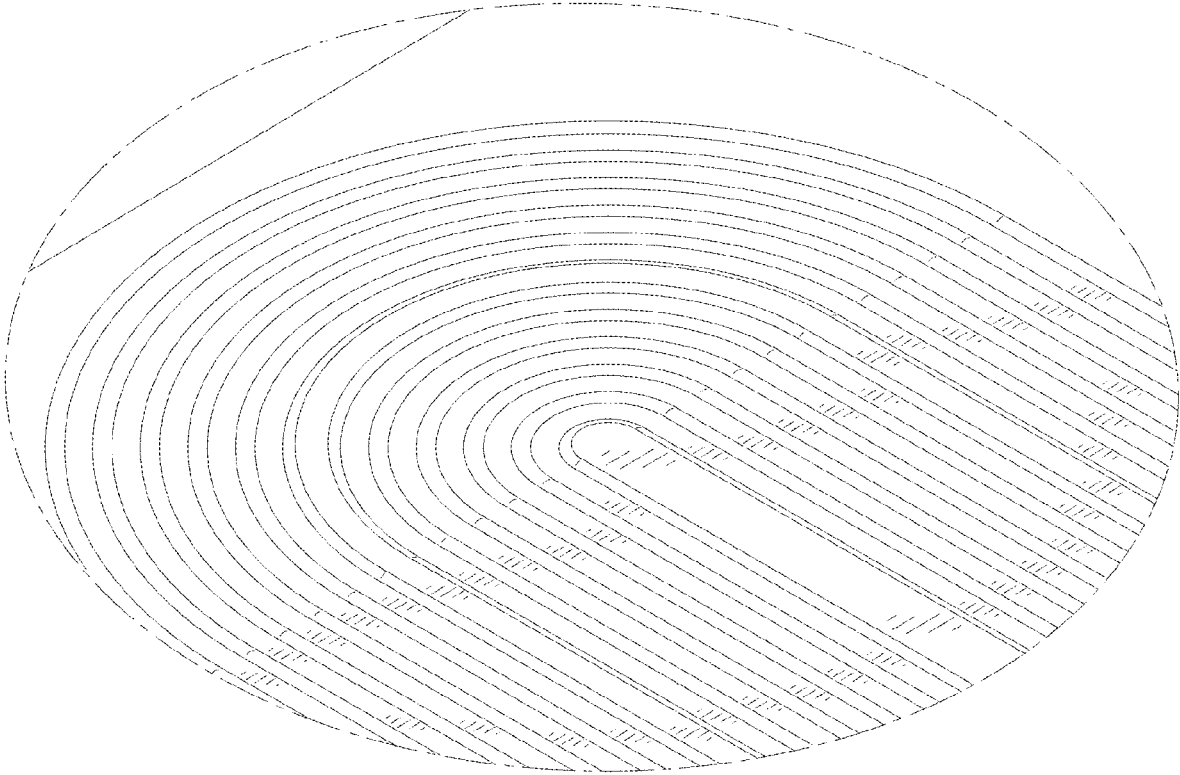


FIG. 12