



US00D691716S

(12) **United States Design Patent**  
**Vo**

(10) **Patent No.:** **US D691,716 S**  
(45) **Date of Patent:** **\*\* Oct. 15, 2013**

(54) **DIAPER**

(76) Inventor: **Tin Duc Vo**, Los Angeles, CA (US)

(\*\*) Term: **14 Years**

(21) Appl. No.: **29/398,825**

(22) Filed: **Aug. 4, 2011**

(51) **LOC (9) Cl.** ..... **24-04**

(52) **U.S. Cl.**  
USPC ..... **D24/126**

(58) **Field of Classification Search**  
USPC ..... D2/6, 10, 11, 28, 29, 34, 42;  
D24/124–126; 2/403; 450/102, 103,  
450/104, 105; 604/358, 346, 347, 349, 354,  
604/353, 384, 385.01, 385.03, 385.09, 386,  
604/387, 389, 390

See application file for complete search history.

(56) **References Cited**

**U.S. PATENT DOCUMENTS**

D111,287 S	9/1938	Lankenau	
D111,288 S	9/1938	Lankenau	
D121,647 S	7/1940	Coleman	
D123,546 S	11/1940	Goldstein	
2,252,988 A	8/1941	Segall	
D132,937 S	6/1942	Cadgene	
D152,606 S	2/1949	Foreman	
2,860,589 A	4/1958	Doner	
4,681,577 A *	7/1987	Stern et al.	604/378
4,753,646 A *	6/1988	Enloe	604/385.29
D309,020 S *	7/1990	Coates et al.	D24/126
D313,076 S *	12/1990	Harju	D24/126
D330,590 S *	10/1992	Pressley et al.	D24/126
D332,659 S *	1/1993	Bisaga	D24/126
D334,060 S *	3/1993	Hoffman	D24/126
D335,707 S *	5/1993	Igaue et al.	D24/126
D339,445 S *	9/1993	Russano	D2/712
D340,283 S *	10/1993	Igaue et al.	D24/126
D341,470 S *	11/1993	Quick	D2/713
5,261,901 A *	11/1993	Guay	604/391

D342,132 S	12/1993	Montalvo	
D342,786 S	12/1993	De Gooijer	
D354,130 S	1/1995	Johnson	
6,174,303 B1	1/2001	Suprise et al.	
D466,608 S *	12/2002	Magee et al.	D24/126
D514,223 S *	1/2006	Hermansson et al.	D24/126
D544,599 S *	6/2007	Sasaki et al.	D24/126
D546,445 S *	7/2007	Martynus et al.	D24/126
D553,244 S *	10/2007	Martynus et al.	D24/126
D558,335 S *	12/2007	Willhaus	D24/126
D578,213 S *	10/2008	Rinaldi et al.	D24/126
D579,560 S *	10/2008	Rinaldi et al.	D24/126
D580,050 S *	11/2008	Rinaldi et al.	D24/126
D583,050 S *	12/2008	Scott Alston	D24/126
D583,936 S *	12/2008	Sasayama et al.	D24/126

(Continued)

*Primary Examiner* — T. Chase Nelson  
*Assistant Examiner* — Michelle E Wilson  
(74) *Attorney, Agent, or Firm* — QuickPatents; Kevin Prince

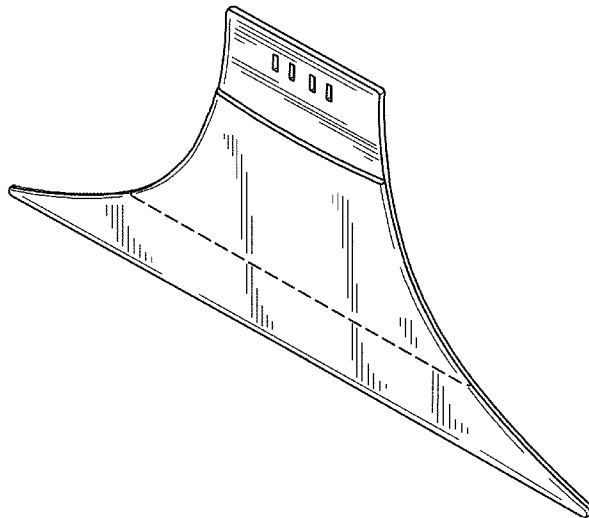
(57) **CLAIM**

I claim the ornamental design for a diaper, as shown and described.

**DESCRIPTION**

FIG. 1 is a perspective view of a diaper, showing my new design in a worn configuration;  
FIG. 2 is a perspective view thereof, shown in a flat configuration;  
FIG. 3 is a front elevational view of FIG. 2;  
FIG. 4 is a rear elevational view of FIG. 2;  
FIG. 5 is a left-side elevational view of FIG. 2, the right-side elevational view being a mirror image thereof;  
FIG. 6 is a bottom plan view of FIG. 2; and,  
FIG. 7 is a top plan view of FIG. 2.  
The broken lines showing a baby in FIG. 1 depict environmental matter and form no part of the claimed design. The remaining broken lines represent stitching, and are part of the claimed design.

**1 Claim, 3 Drawing Sheets**



# US D691,716 S

Page 2

---

(56)

## References Cited

### U.S. PATENT DOCUMENTS

D589,611 S 3/2009 Parker  
D618,344 S \* 6/2010 Willhaus ..... D24/126  
D626,220 S \* 10/2010 Oranday ..... D24/126

D629,890 S \* 12/2010 Hedbratt et al. .... D24/126  
D679,390 S \* 4/2013 Hedbratt et al. .... D24/126  
D680,216 S \* 4/2013 Hedbratt et al. .... D24/126  
D681,198 S \* 4/2013 Norman ..... D24/126  
2008/0215028 A1 9/2008 Brown et al.

\* cited by examiner

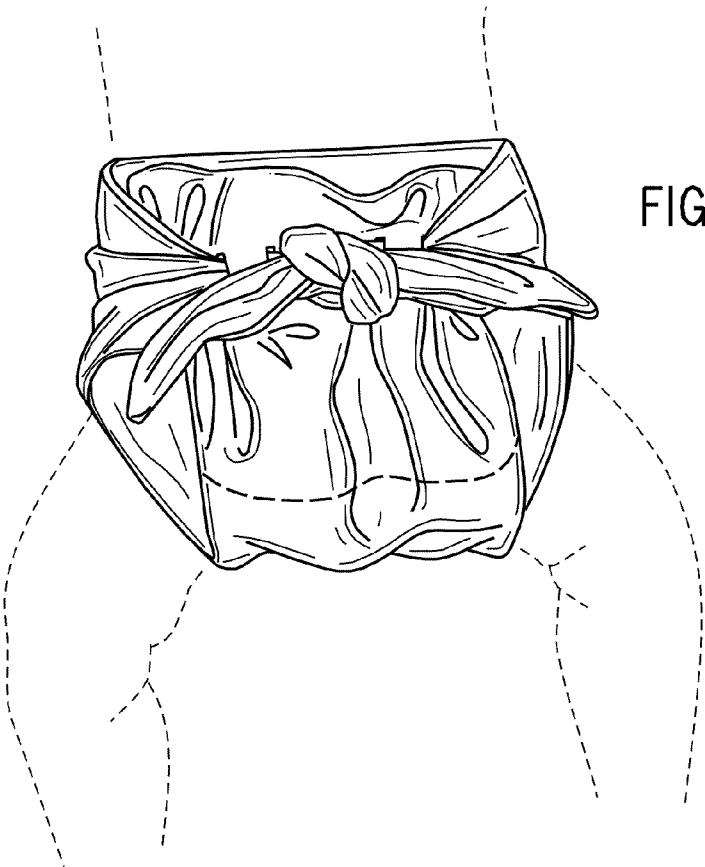


FIG. 1

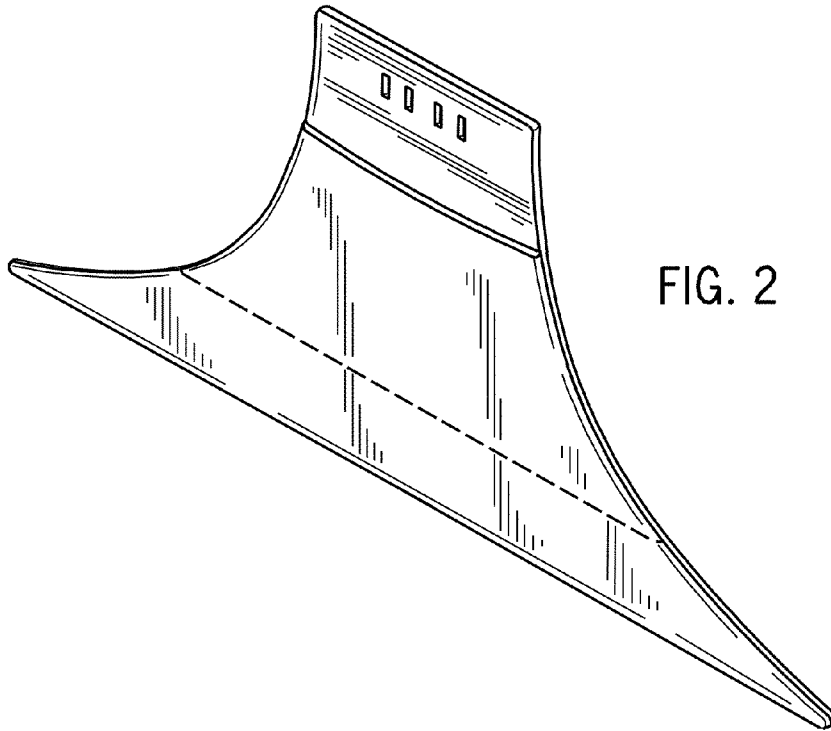


FIG. 2

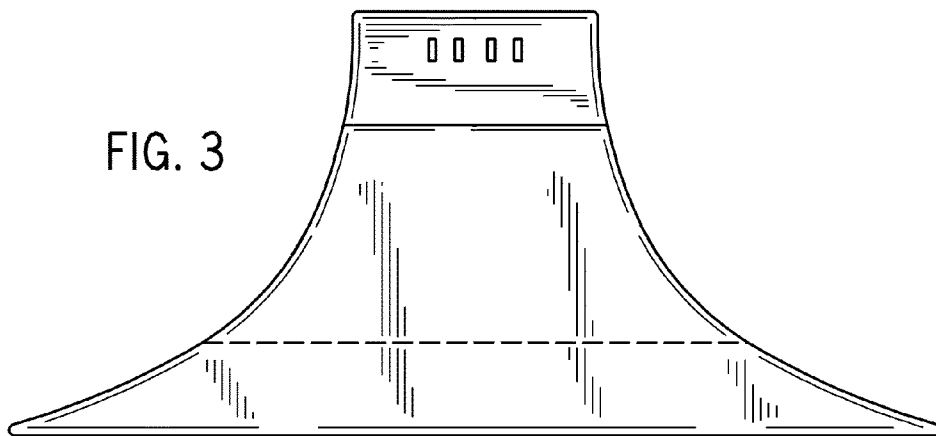


FIG. 3

FIG. 4

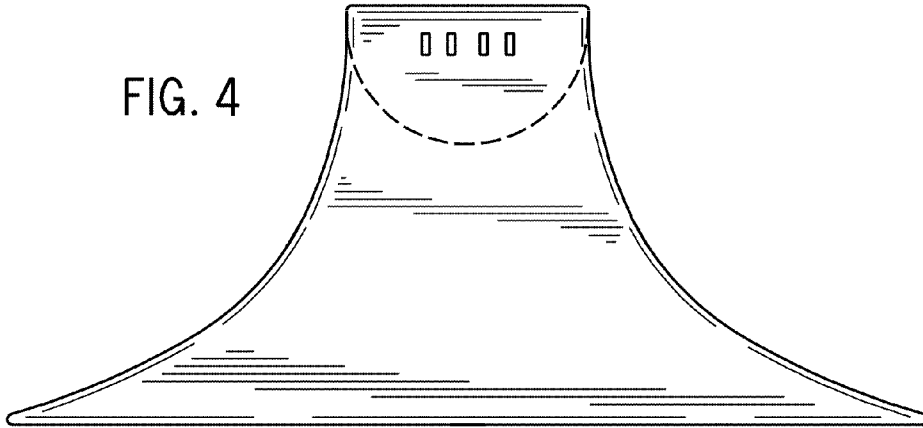


FIG. 5



FIG. 6



FIG. 7

