



US00D420243S

United States Patent [19]
Samaras

[11] **Patent Number: Des. 420,243**
[45] **Date of Patent: ** Feb. 8, 2000**

[54] **GRILL**

[76] Inventor: **George Samaras**, 3801 Beya Way,
Doraville, Ga. 30340

[**] Term: **14 Years**

[21] Appl. No.: **29/088,197**

[22] Filed: **May 18, 1998**

[51] **LOC (7) Cl.** **07-02**

[52] **U.S. Cl.** **D7/332**

[58] **Field of Search** D7/332-337, 402,
D7/403, 404, 406, 409; 126/2, 4, 9 R, 25 R,
25 A, 25 AA, 29, 38, 39 R, 40, 41 R, 58-59;
99/481-482, 419, 421 R

[56] **References Cited**

U.S. PATENT DOCUMENTS

D. 201,416	6/1965	Sazegar	D7/337
D. 201,937	8/1965	Johnson	D7/337
D. 219,693	1/1971	Hahn	D7/337
D. 244,249	5/1977	Boswell et al.	D7/332
D. 383,640	9/1997	Yu	D7/337
D. 402,499	12/1998	Carroll	D7/332
4,924,845	5/1990	Johnson et al.	126/25 R
5,909,729	6/1999	Nowicke, Jr.	126/25 R

OTHER PUBLICATIONS

Big Green Egg, Atlanta, GA, 1996, brochure.
Grill Dome, Doraville, GA, brochure (More than 5 Yrs.
before Filing Date of this Appn).

Primary Examiner—Ruth McInroy
Attorney, Agent, or Firm—Kennedy, Davis & Hodge

[57] **CLAIM**

The ornamental design for a grill, as shown and described.

DESCRIPTION

FIG. 1 is a perspective view of a grill showing my new design.

FIG. 2 is a front view thereof;

FIG. 3 is a left side view thereof;

FIG. 4 is a right view thereof;

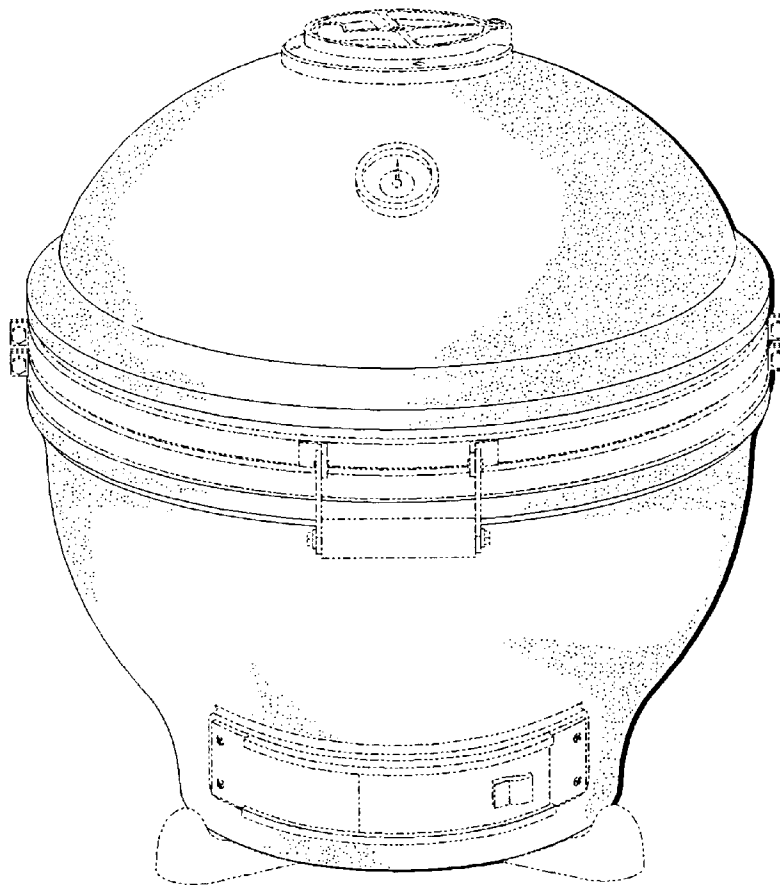
FIG. 5 is a rear view thereof;

FIG. 6 is a top view thereof; and,

FIG. 7 is a bottom view thereof.

The broken lines in the views shows environmental features which are for illustrative purposes only and form no part of the claimed design. The broken lines which define the bounds of the claimed design form no part thereof.

1 Claim, 4 Drawing Sheets



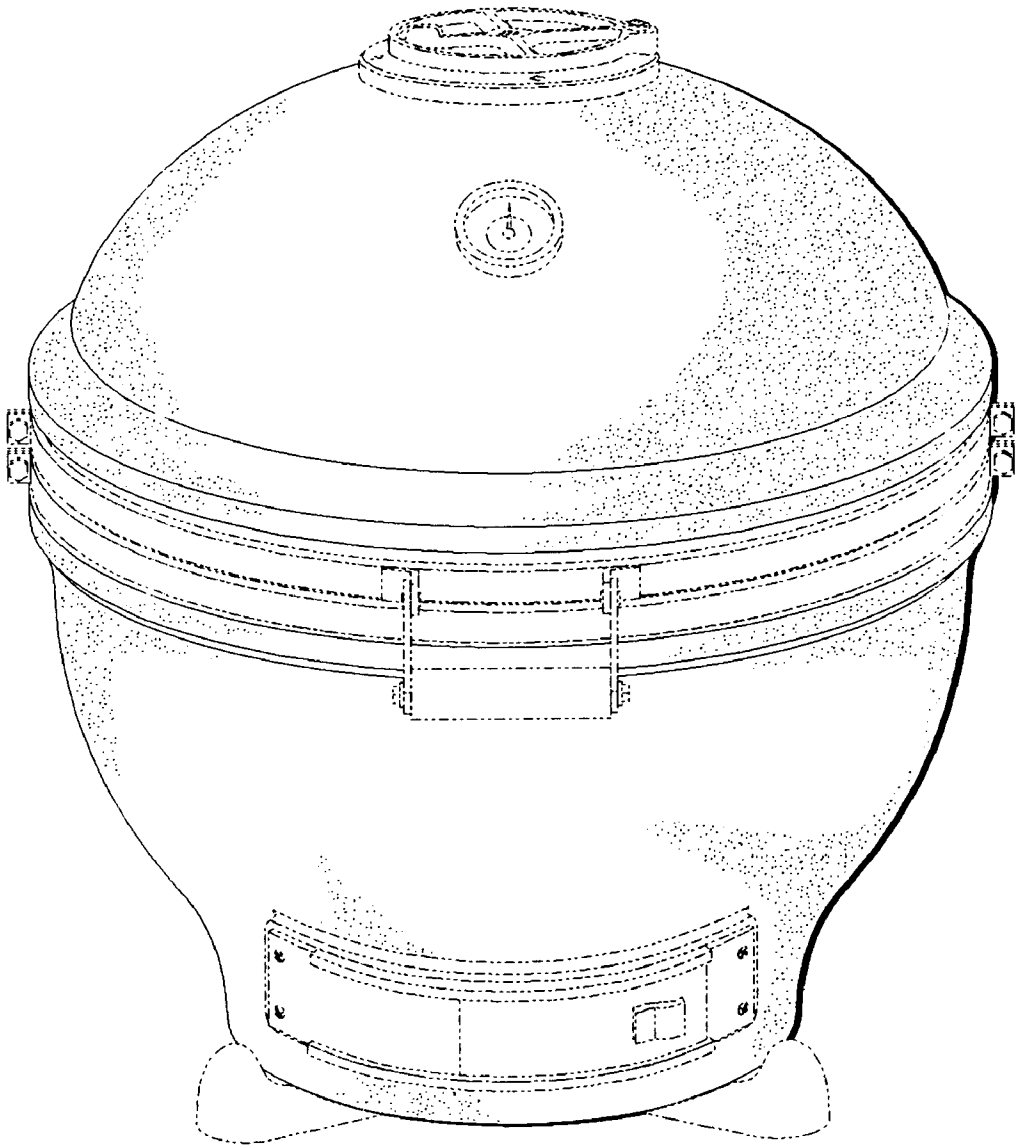
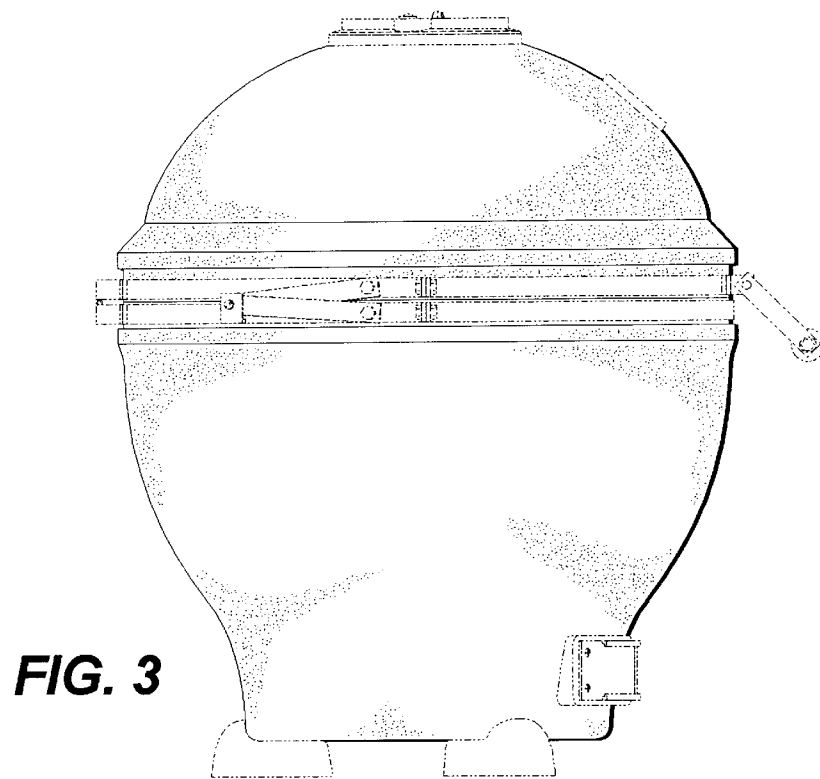
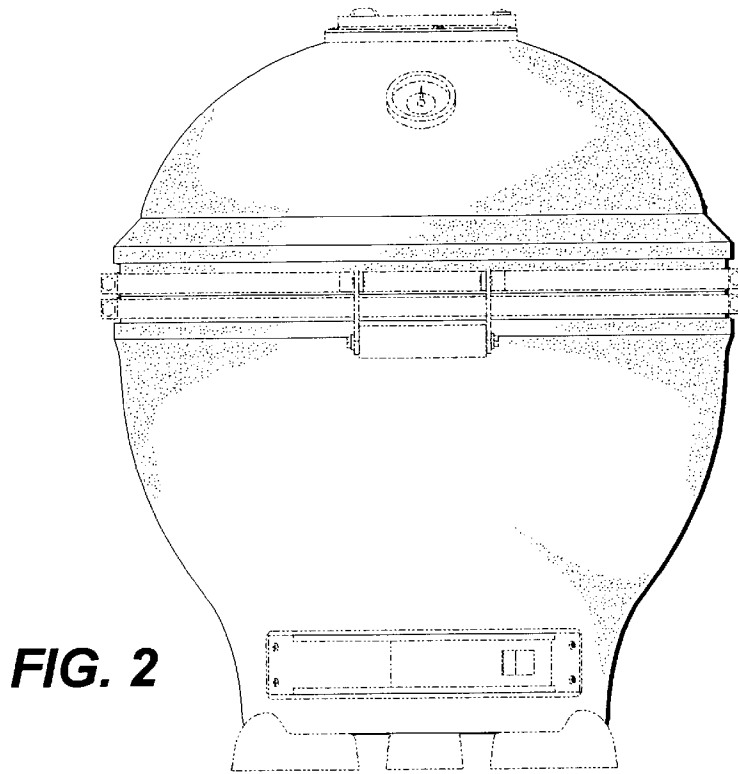


FIG. 1



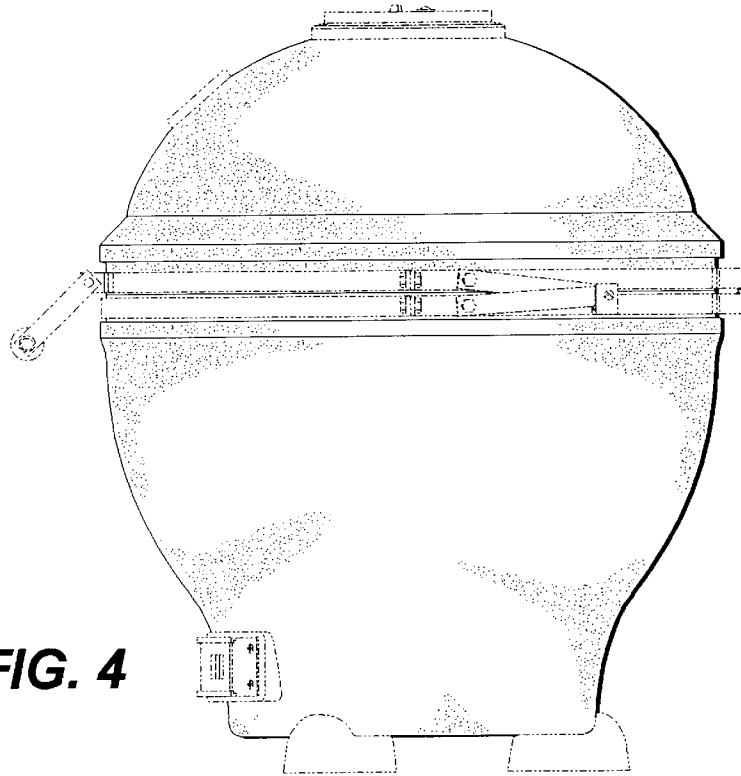


FIG. 4

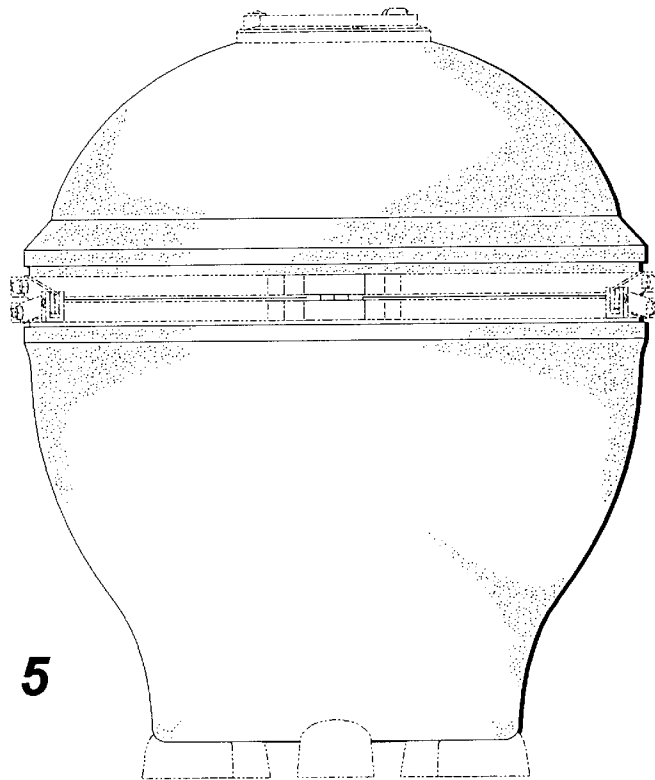


FIG. 5

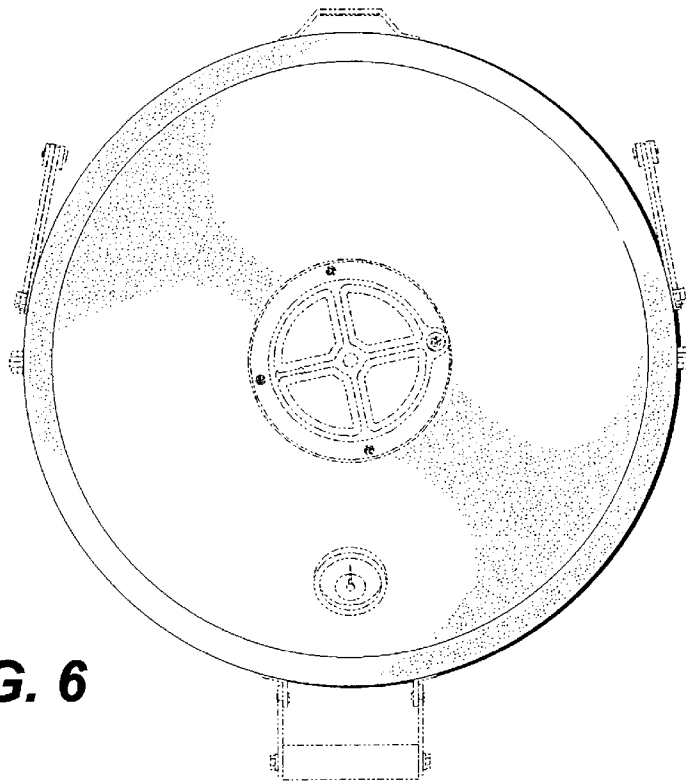


FIG. 6

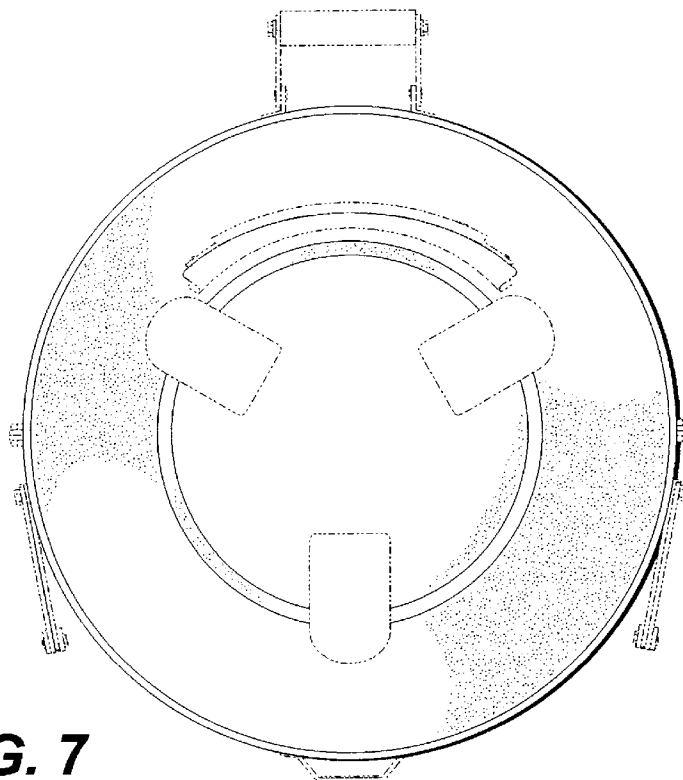


FIG. 7