



US00D984898S

(12) **United States Design Patent**
Macias Mejia et al.

(10) **Patent No.:** **US D984,898 S**

(45) **Date of Patent:** **** *May 2, 2023**

(54) **BOTTLE**

FOREIGN PATENT DOCUMENTS

(71) Applicant: **Colgate-Palmolive Company**, New York, NY (US)

EM 008113369-0001 * 8/2020

(72) Inventors: **Claudia Daniela Macias Mejia**, New York, NY (US); **Oscar Xoy**, New Brunswick, NJ (US); **Dale Nicholls**, Oxfordshire (GB)

OTHER PUBLICATIONS

Colgate Peroxyl Mouth Sore Rinse Mild Mint—16.9 Fl Oz (Pack of 2) Online, published date Dec. 4, 2018. Retrieved on Jul. 29, 2022 from URL: <https://www.amazon.com/Colgate-Peroxyl-Mouth-Sore-Rinse/dp/B081HWGPT7>.*

(73) Assignee: **Colgate-Palmolive Company**, New York, NY (US)

Primary Examiner — Jae Liang
Assistant Examiner — Royner Mendoza

(*) Notice: This patent is subject to a terminal disclaimer.

(**) Term: **15 Years**

(57) **CLAIM**

The ornamental design for a bottle, as shown and described.

(21) Appl. No.: **29/724,336**

(22) Filed: **Feb. 14, 2020**

DESCRIPTION

(51) **LOC (14) Cl.** **09-01**

(52) **U.S. Cl.**

USPC **D9/552**; D9/543; D9/564

(58) **Field of Classification Search**

USPC D9/434-435, 439, 447, 449, 450, D9/452-454, 516, 523, 524, 528-531, D9/541-544, 549-551, 558-560, 563, D9/565, 566, 571-575, 605, 611, 626, D9/632, 645, 649, 682, 686, 687, 693, D9/694, 715, 719, 552, 564; D7/509, D7/619.1; D3/202

CPC B65D 1/46; B65D 1/0223; B65D 21/0202; B65D 21/0205; B65D 23/00; B65D 23/0864; B65D 23/102; B65D 71/508; B65D 2501/0027; B65D 2501/0045; B65D

(Continued)

FIG. 1 is a front perspective view of a bottle according to a first embodiment of the new design; FIG. 2 is a rear perspective view thereof; FIG. 3 is a front view thereof; FIG. 4 is a rear view thereof; FIG. 5 is a left side view thereof; FIG. 6 is a right side view thereof; FIG. 7 is a top plan view thereof; FIG. 8 is a bottom plan view thereof; FIG. 9 is a front perspective view of a bottle according to a second embodiment of the new design; FIG. 10 is a rear perspective view thereof; FIG. 11 is a front view thereof; FIG. 12 is a rear view thereof; FIG. 13 is a left side view thereof; FIG. 14 is a right side view thereof; FIG. 15 is a top plan top view thereof; and, FIG. 16 is a bottom plan view thereof.

The dashed broken lines illustrate portions of the bottle that form no part of the claimed design. The dot dash dot broken lines depict the boundaries of the claim and form no part of the claimed design.

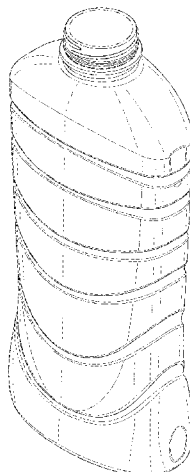
(56) **References Cited**

U.S. PATENT DOCUMENTS

D99,374 S * 4/1936 Smith D9/563
D263,373 S * 3/1982 Howard D9/563

(Continued)

1 Claim, 12 Drawing Sheets



- (58) **Field of Classification Search**
 CPC 2501/0081; Y10T 428/13; Y10T 428/139;
 Y10T 428/1352

See application file for complete search history.

- (56) **References Cited**

U.S. PATENT DOCUMENTS

D321,133	S *	10/1991	Wiseman	D9/575
D357,416	S *	4/1995	Valentine	D9/516
D412,849	S *	8/1999	Fuquen	D9/542
D423,367	S *	4/2000	Richiger	D9/557
6,838,138	B1 *	1/2005	Akiyama	B65D 23/00 156/303.1
D526,902	S *	8/2006	Cummings	D9/558
D529,814	S *	10/2006	Winkler	D9/563
D554,520	S *	11/2007	Kunesh	D9/570
D554,521	S *	11/2007	Williams	D9/570
D555,004	S *	11/2007	Nukuto	D9/570
D559,117	S *	1/2008	Nukuto	D9/570
D590,719	S *	4/2009	Zwolbar	D9/558
D602,782	S *	10/2009	Lepoitevin	D9/453
D643,731	S *	8/2011	Booth	D9/570
D643,732	S *	8/2011	Cummings	D9/569
D773,308	S *	12/2016	Beckerman	D9/530
D799,330	S *	10/2017	Burgbacher	D9/542
D828,174	S *	9/2018	Oates	D9/543
D920,801	S *	6/2021	Davis	D9/563
D920,802	S *	6/2021	Davis	D9/571
D920,803	S *	6/2021	Davis	D9/571
D940,563	S *	1/2022	Davis	D9/682
D951,098	S *	5/2022	Macias Mejia	D9/552
D958,661	S *	7/2022	Safiullah	D9/520
2013/0140264	A1 *	6/2013	Hanan	B65D 1/44 215/384

* cited by examiner

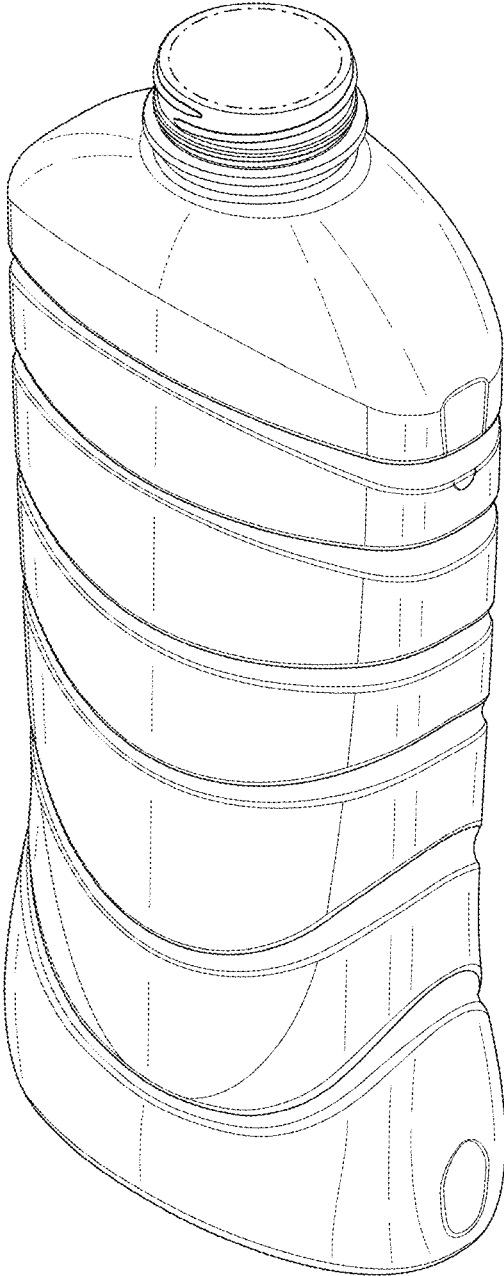


FIG. 1

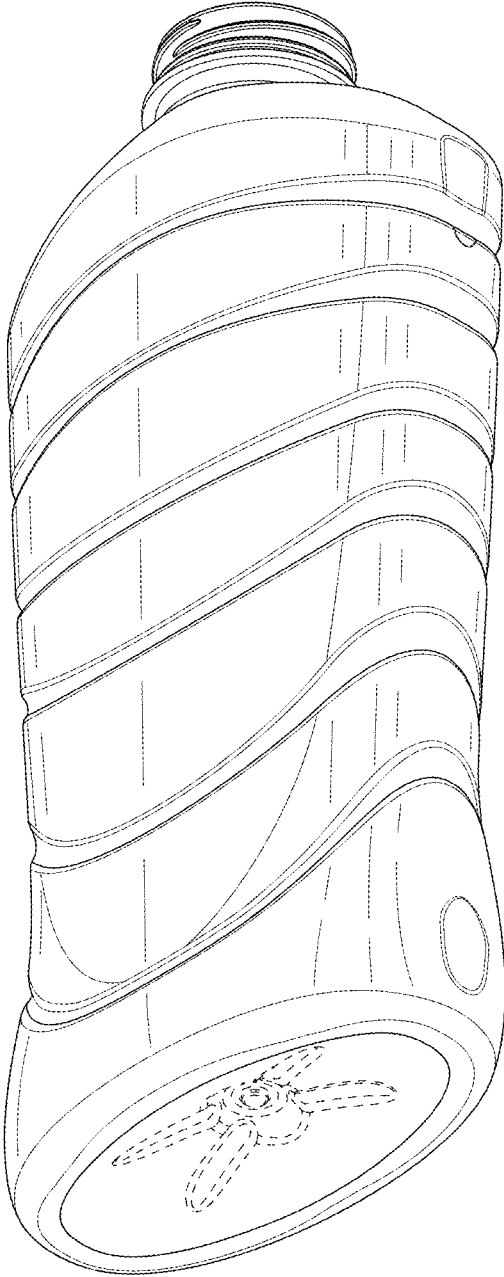


FIG. 2

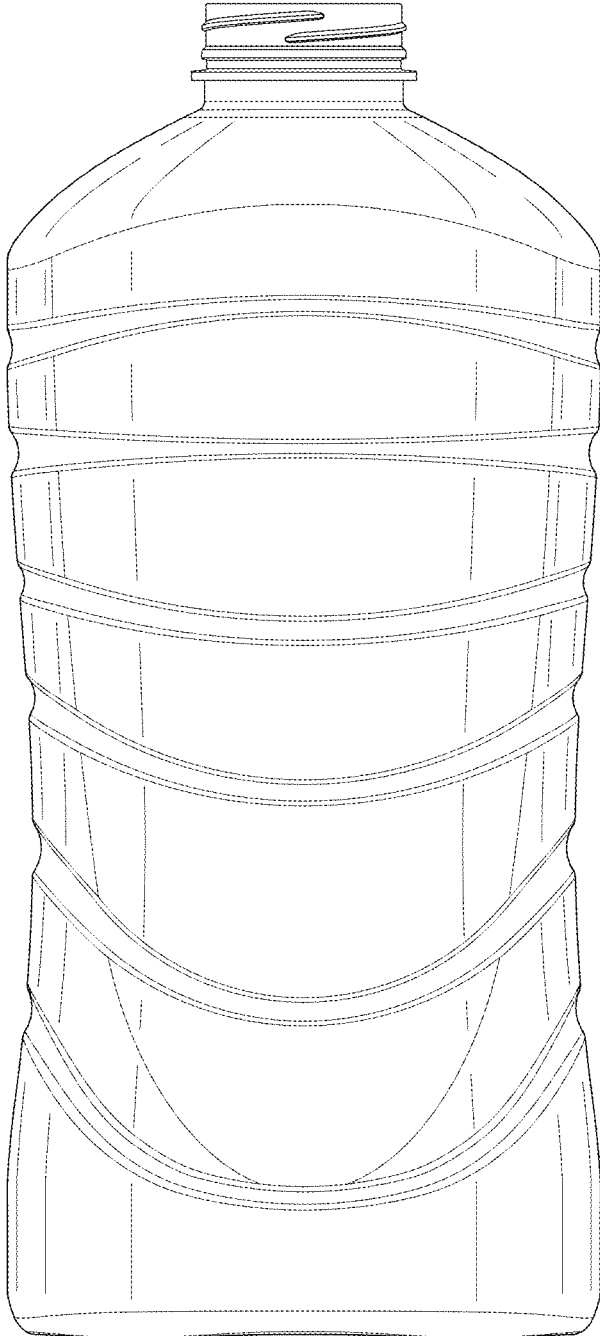


FIG. 3

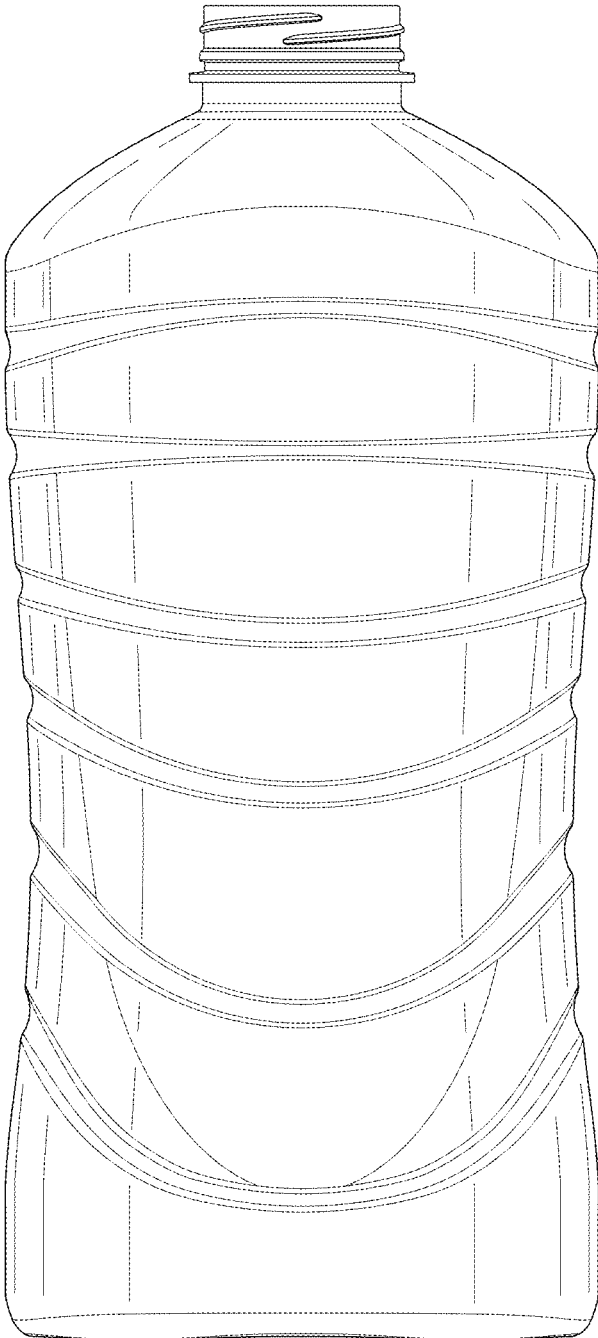


FIG. 4

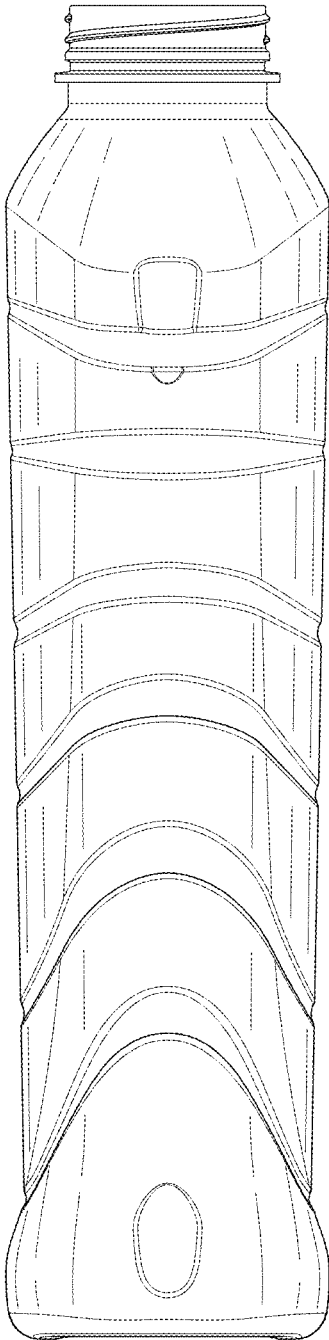


FIG. 5

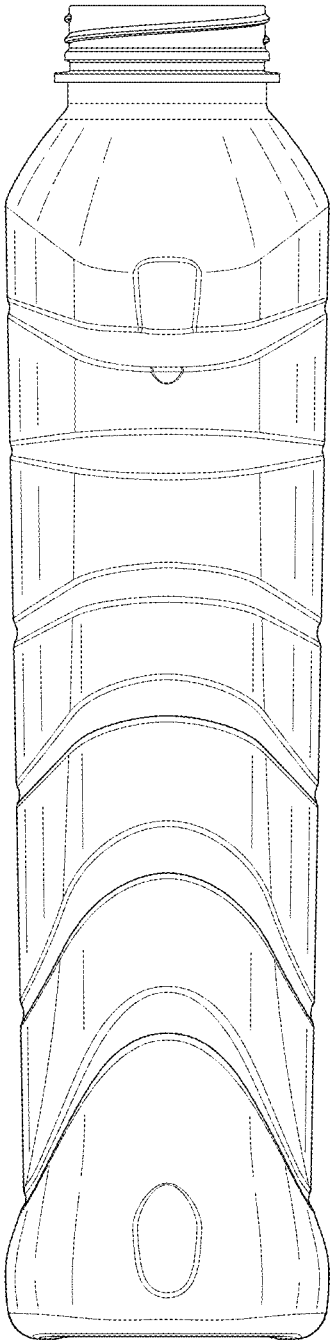


FIG. 6

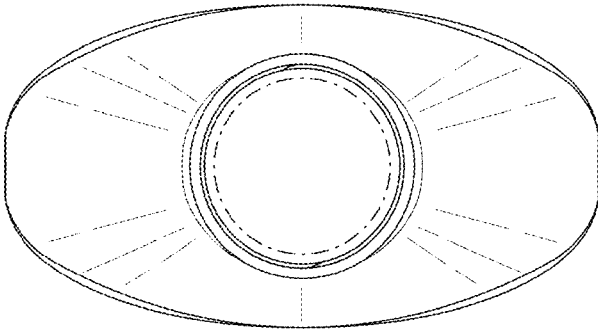


FIG. 7

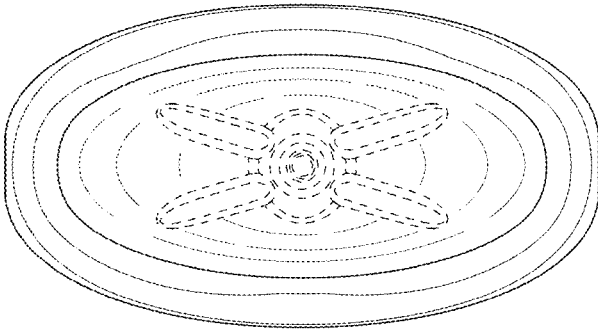


FIG. 8

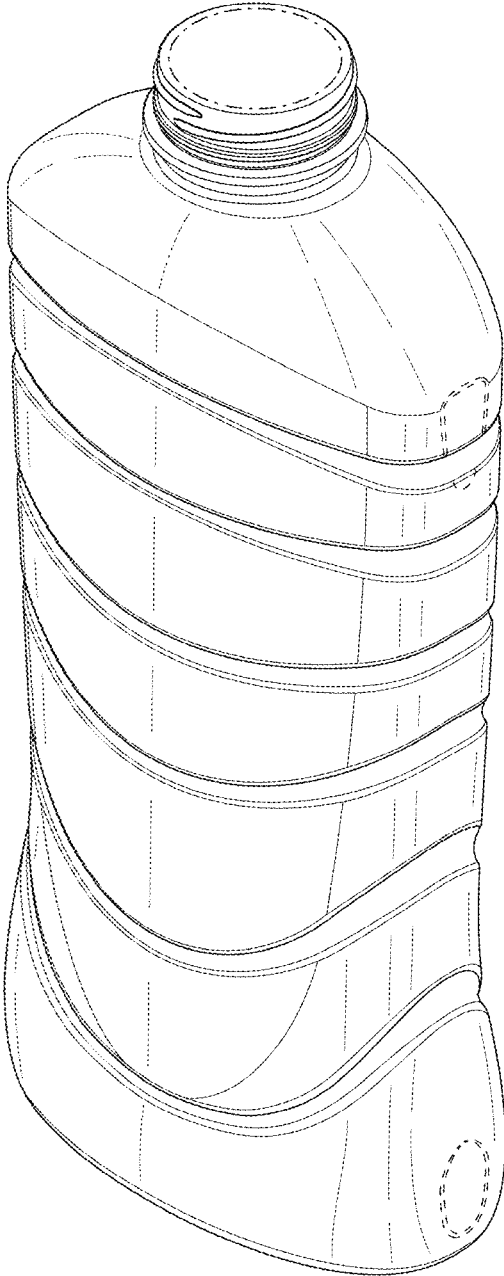


FIG. 9

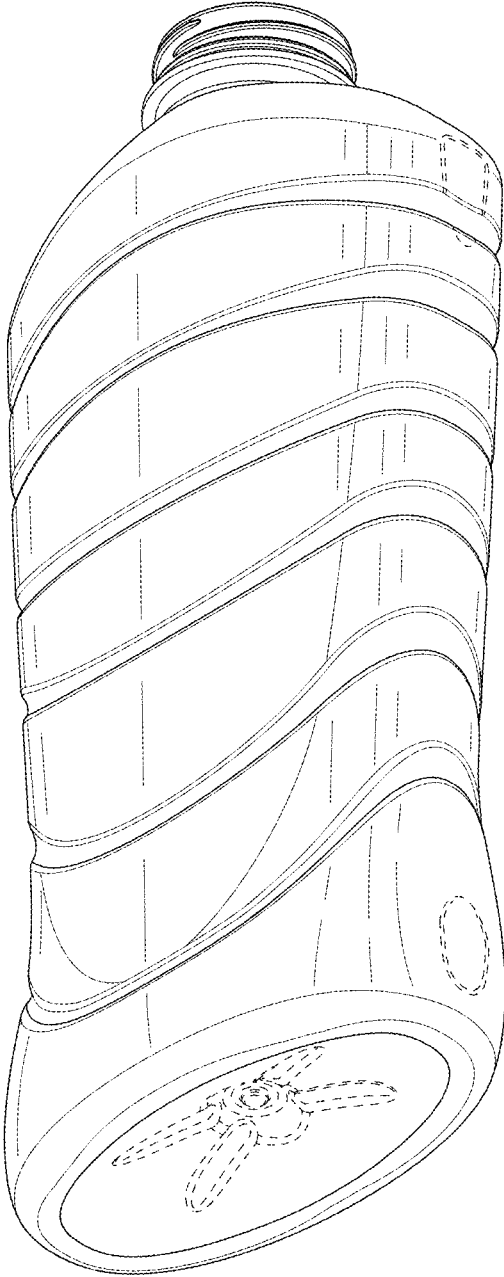


FIG. 10

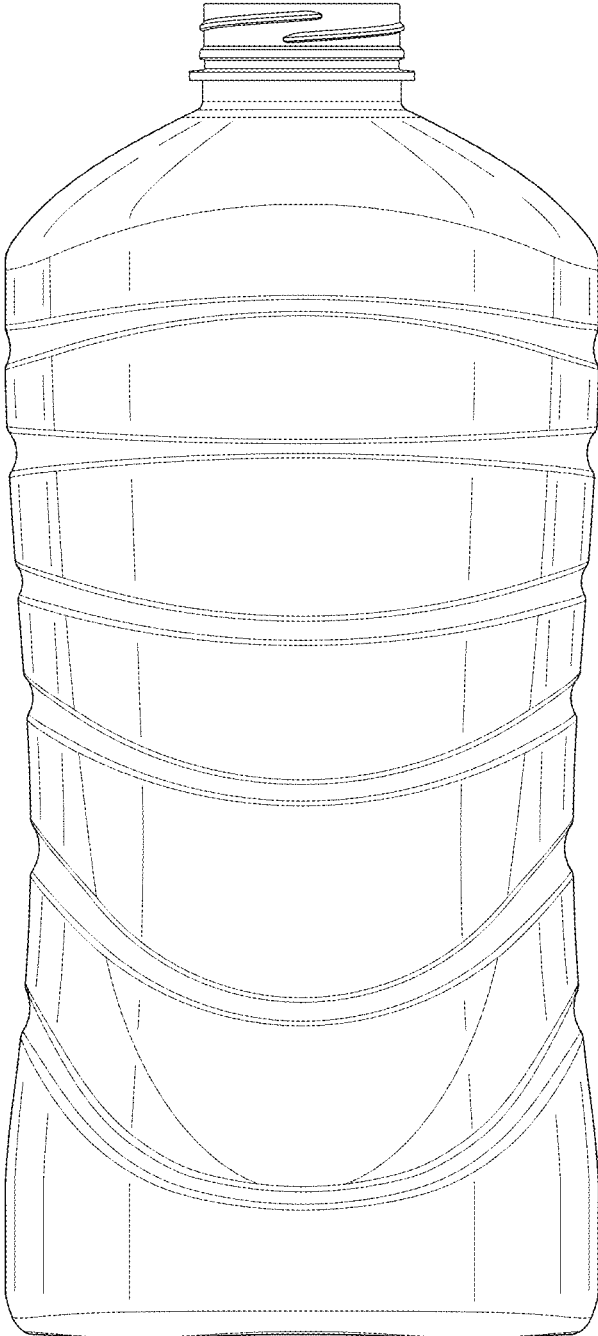


FIG. 11

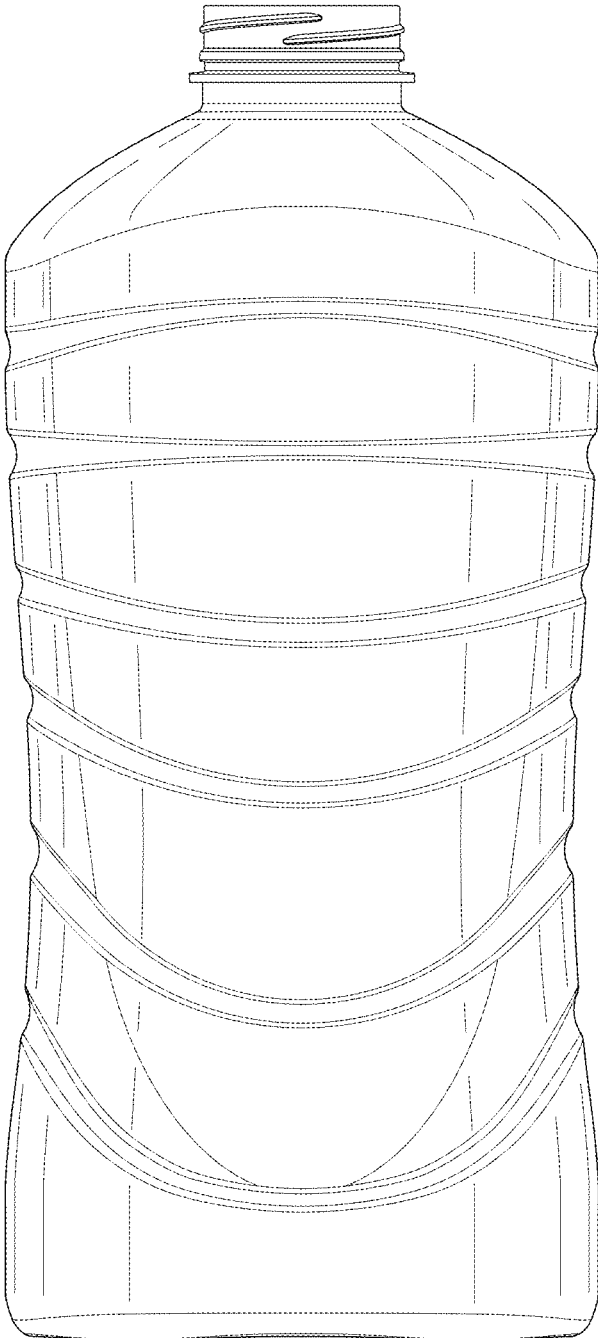


FIG. 12

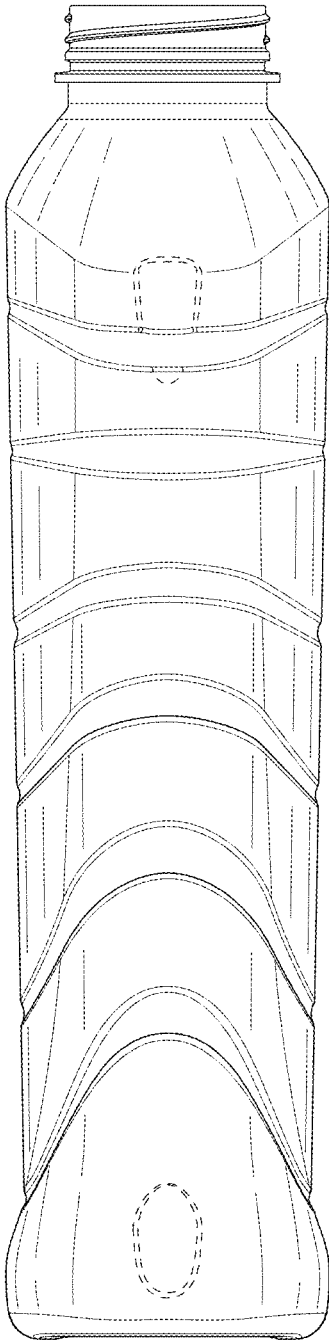


FIG. 13

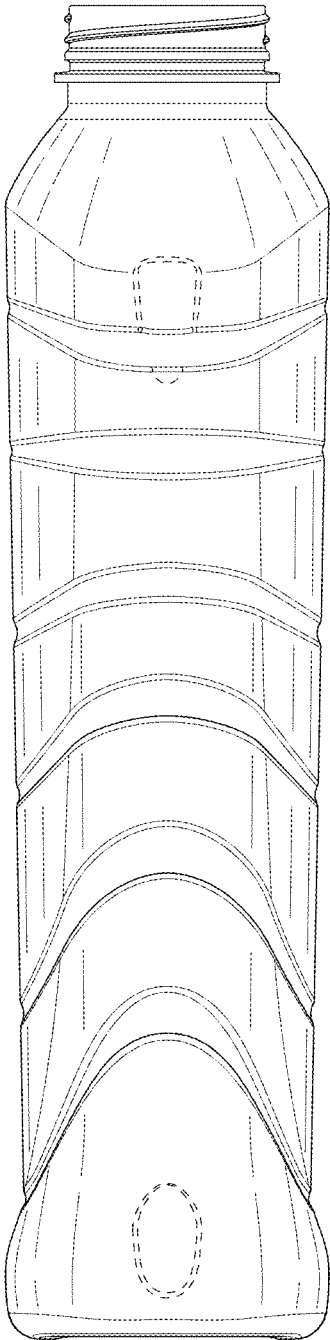


FIG. 14

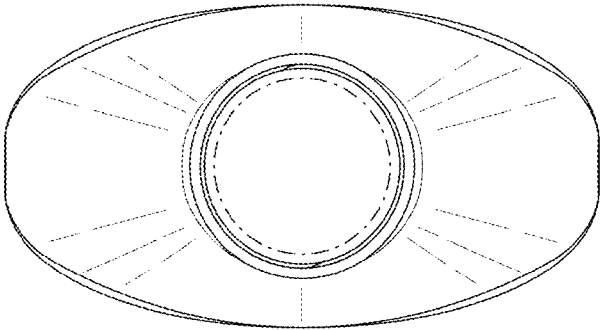


FIG. 15

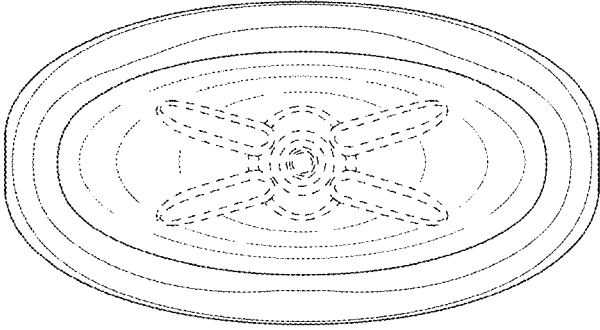


FIG. 16