



US00D760011S

(12) **United States Design Patent**
Berge et al.

(10) **Patent No.:** **US D760,011 S**

(45) **Date of Patent:** **** Jun. 28, 2016**

(54) **POPCORN POPPER**

(71) Applicant: **National Presto Industries, Inc.**, Eau Claire, WI (US)

(72) Inventors: **Michael R. Berge**, Eau Claire, WI (US);
James A. Hedrington, Chippewa Falls, WI (US)

(73) Assignee: **National Presto Industries, Inc.**, Eau Claire, WI (US)

(**) Term: **14 Years**

(21) Appl. No.: **29/514,833**

(22) Filed: **Jan. 16, 2015**

(51) **LOC (10) CL.** **31-00**

(52) **U.S. CL.**
USPC **D7/325**

(58) **Field of Classification Search**

USPC D7/323, 325, 337, 339, 346-347, 350.1, D7/350.4, 354, 362, 391, 602, 629
CPC A23L 1/01; A23L 1/0128; A23L 1/10; A23L 1/18; A23L 1/1802; A23L 1/1812; A23L 1/1815; A23L 1/1817; A23L 1/217; A23P 1/14; A23P 1/142; A23P 1/144; A23P 1/146; A23P 1/148; A47J 27/004; A47J 36/027; A47J 36/06; B65D 81/34; B65D 81/3407; B65D 81/3446; B65D 81/3453
See application file for complete search history.

(56) **References Cited**

U.S. PATENT DOCUMENTS

D193,260 S	7/1962	Dewenter
D229,387 S	11/1973	Gruber
4,138,937 A	2/1979	De Weese
4,152,974 A	5/1979	Tienor
D256,019 S	7/1980	Boldt et al.
D259,385 S	6/1981	Levin
D260,649 S	9/1981	Wundergem

D262,426 S	12/1981	Bluestein et al.
D279,069 S *	6/1985	Goodlaxson D7/325
D279,070 S	6/1985	Morrison
D279,448 S	7/1985	Spoeth, Jr.
D281,137 S	10/1985	Cesaroni

(Continued)

OTHER PUBLICATIONS

Application and File history for U.S. Appl. No. 14/262,299, filed Apr. 25, 2014. Inventors: Rooney et al.

(Continued)

Primary Examiner — Ricky Pham

(74) *Attorney, Agent, or Firm* — Patterson Thuent Pedersen, P.A.

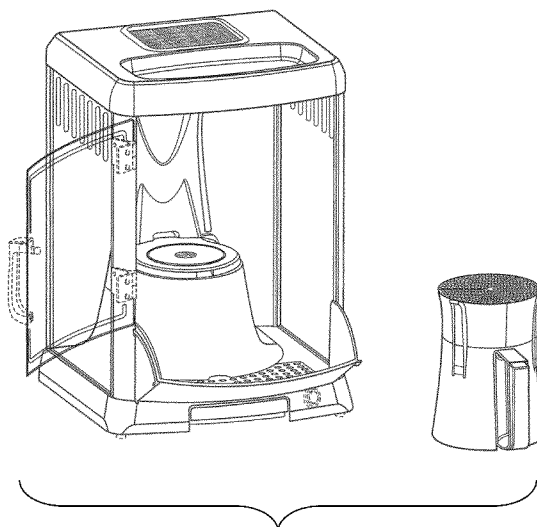
(57) **CLAIM**

We claim the ornamental design for popcorn popper, as shown and described.

DESCRIPTION

FIG. 1 is a front view of a popcorn popper according to an embodiment of the invention.
FIG. 2 is a right side view of the popcorn popper depicted in FIG. 1.
FIG. 3 is a rear view of the popcorn popper depicted in FIG. 1.
FIG. 4 is a left side view of the popcorn popper depicted in FIG. 1.
FIG. 5 is a bottom view of the popcorn popper depicted in FIG. 1.
FIG. 6 is a top view of the popcorn popper depicted in FIG. 1.
FIG. 7 is a front, perspective view of the popcorn popper depicted in FIG. 1; and,
FIG. 8 is an exploded front, perspective view of the popcorn popper depicted in FIG. 1 in an open state with a detached popping chamber.
Items shown in broken lines are for illustrative purposes only and form no part of the claimed invention.

1 Claim, 8 Drawing Sheets



(56)

References Cited

U.S. PATENT DOCUMENTS

4,702,158 A 10/1987 Ishihara
 D294,673 S 3/1988 Solomon
 4,748,903 A 6/1988 Fereshetian
 D298,202 S 10/1988 Levin
 4,920,760 A 5/1990 Muhlack
 D317,238 S 6/1991 Busick
 D317,838 S 7/1991 Millet et al.
 D325,483 S 4/1992 Muhlack
 D338,800 S 8/1993 Duquaine
 D354,639 S 1/1995 Stoddard et al.
 5,397,879 A 3/1995 Geissler
 D360,102 S 7/1995 Geissler et al.
 D361,918 S 9/1995 Cesaroni et al.
 5,501,139 A 3/1996 Lee
 6,000,318 A 12/1999 Weiss et al.
 D442,816 S 5/2001 Chen
 D461,097 S 8/2002 Nemirovsky
 D551,016 S * 9/2007 Bond D7/325
 D552,405 S * 10/2007 Bond D7/325
 D569,677 S 5/2008 Poon
 D607,260 S 1/2010 Lam
 D615,797 S 5/2010 Berge et al.
 D625,604 S 10/2010 Zaslow

D628,428 S * 12/2010 Bond D7/325
 D628,847 S * 12/2010 Liu D7/325
 D632,123 S * 2/2011 Kauer D7/325
 D633,748 S * 3/2011 Haskin D7/325
 D642,006 S 7/2011 Seymour
 D645,292 S * 9/2011 Bond D7/325
 D650,627 S * 12/2011 Kauer D7/325
 8,127,565 B1 3/2012 Lange et al.
 D663,992 S * 7/2012 Kauer D7/325
 D677,969 S * 3/2013 Bond D7/325
 D687,666 S * 8/2013 Mercier D7/325
 D722,245 S * 2/2015 Mao D7/325
 D723,320 S 3/2015 Rooney et al.
 2015/0305375 A1 10/2015 Rooney et al.

OTHER PUBLICATIONS

Presto® Hot Air Popper User Manual, copyright 2009, 4 pages.
 Presto® Stirring Popcorn Popper User Manual, copyright 2010, 6 pages.
 Presto® PowerPop Microwave Multi-Popper User Manual, copyright 2008, 8 pages.
 Application and File history for U.S. Appl. No. 29/489,092, filed Apr. 25, 2014. Inventors: Rooney et al.

* cited by examiner

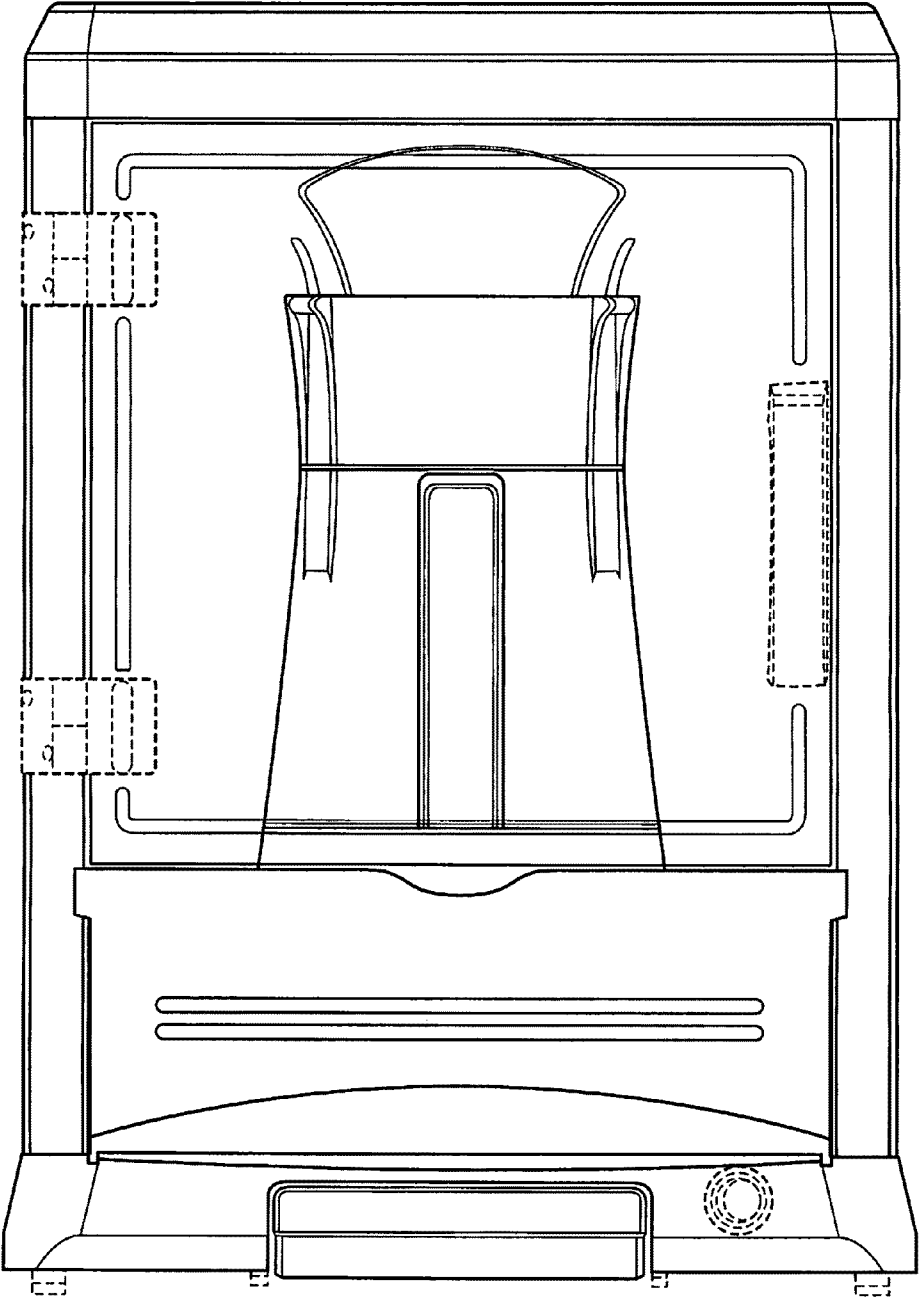


FIG. 1

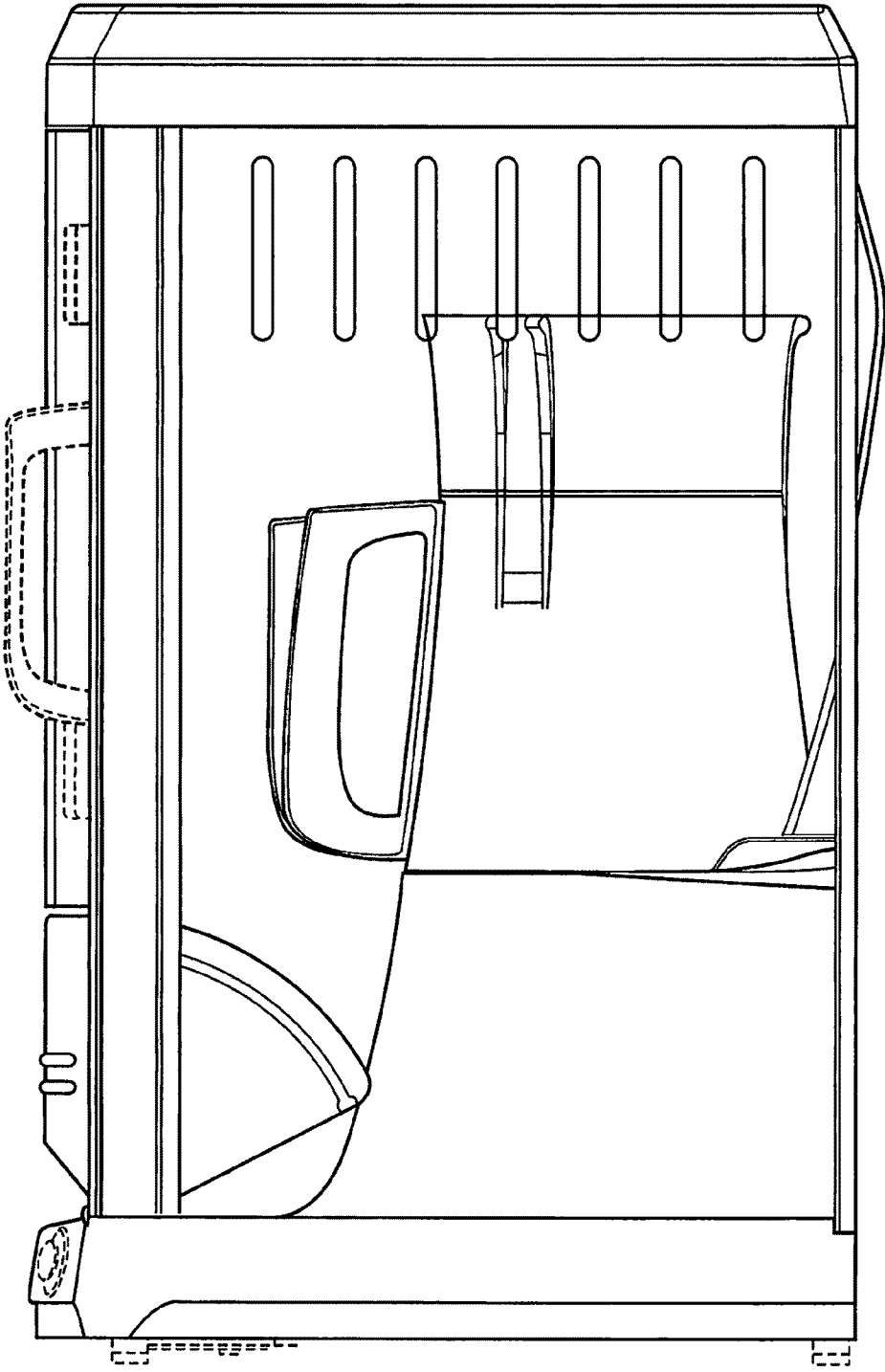


FIG. 2

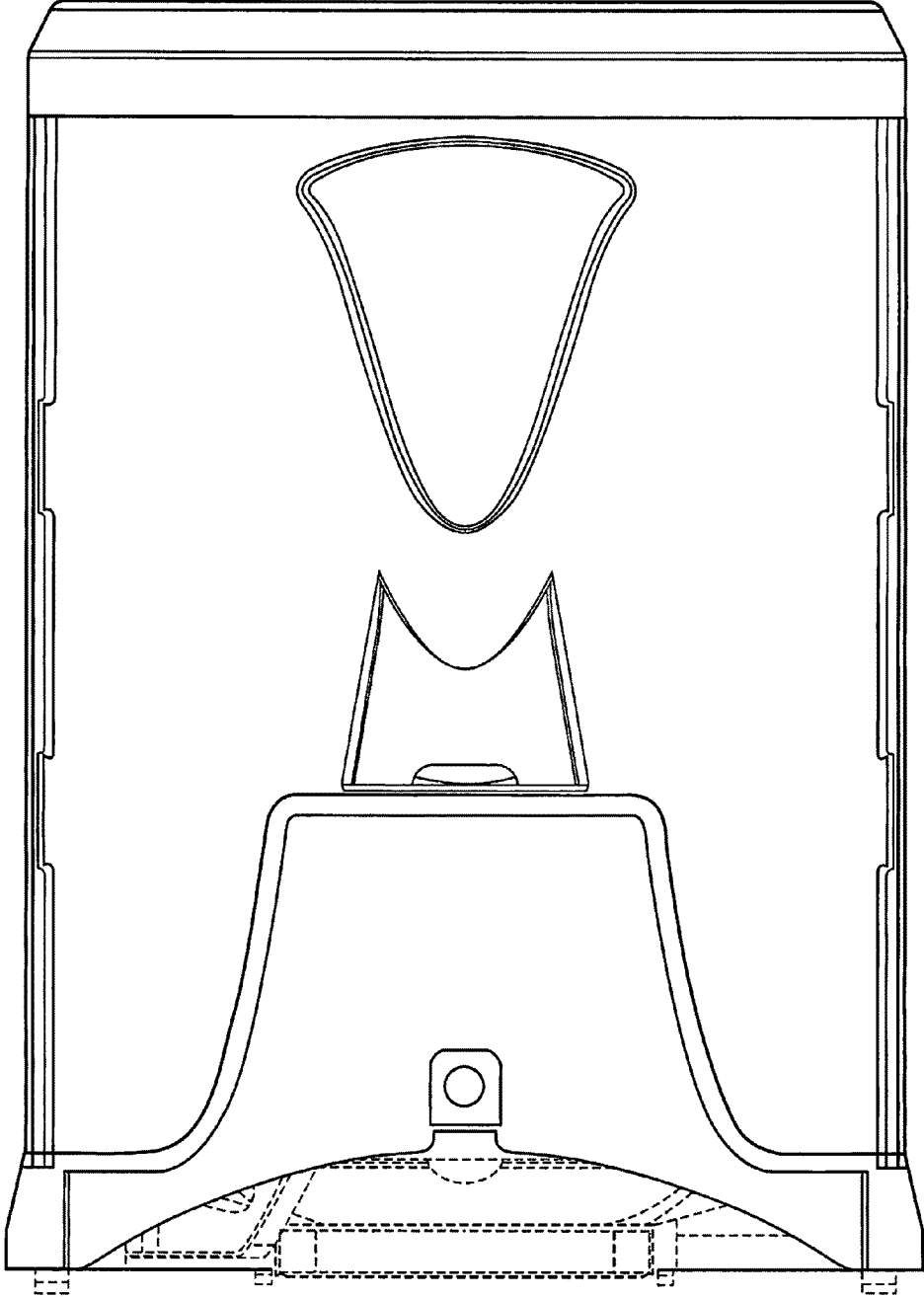


FIG. 3

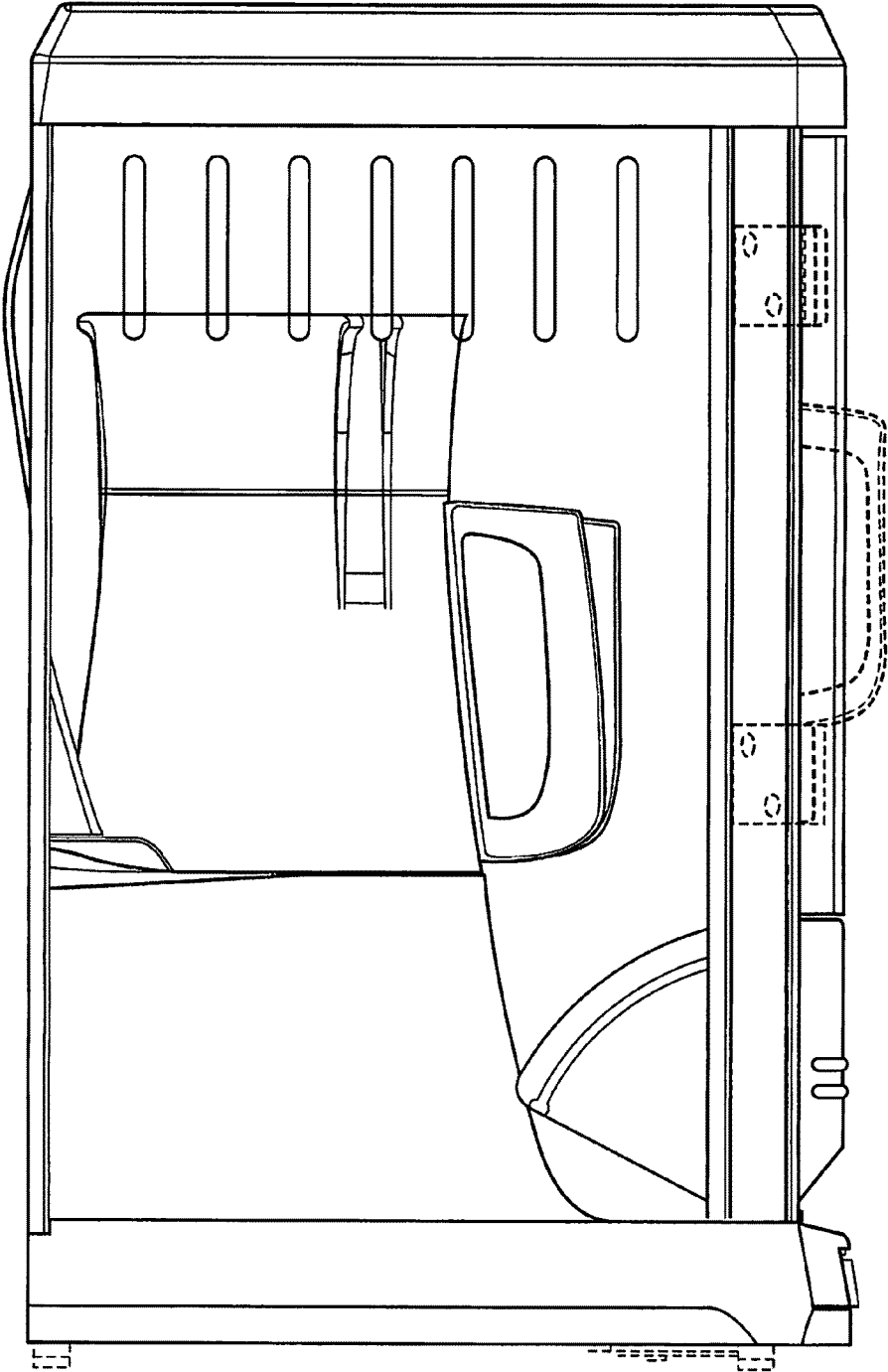


FIG. 4

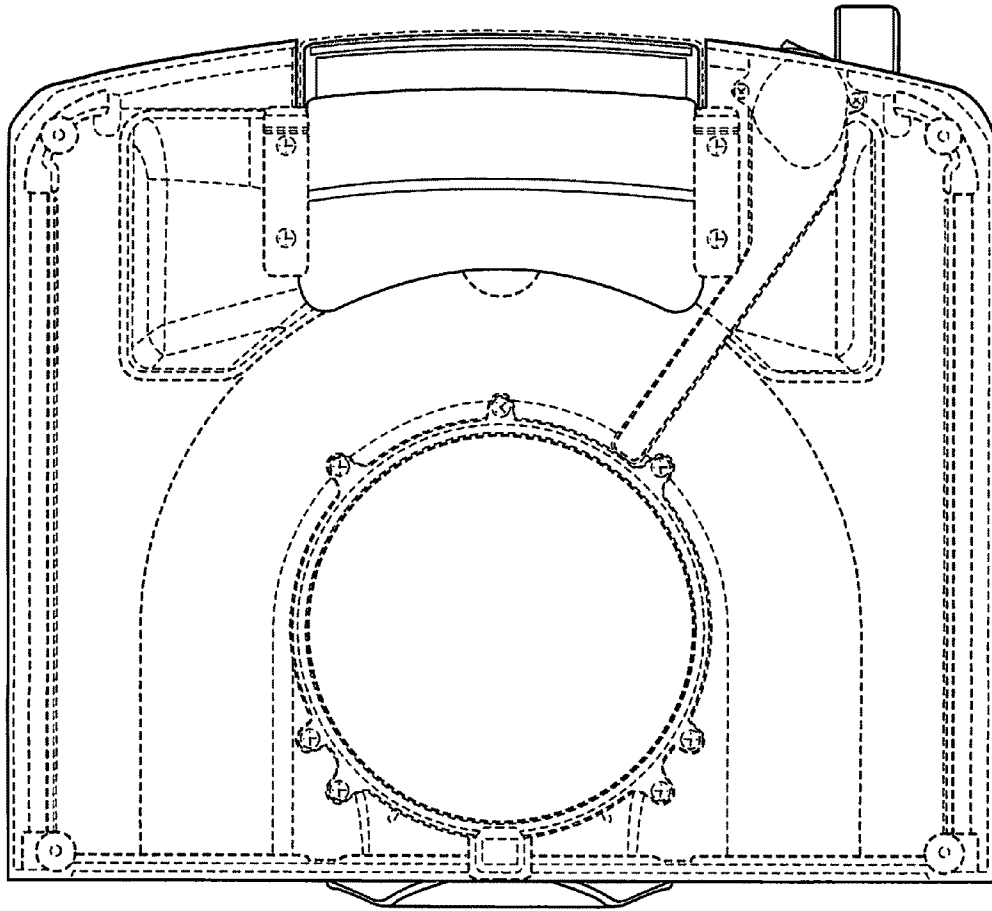


FIG. 5

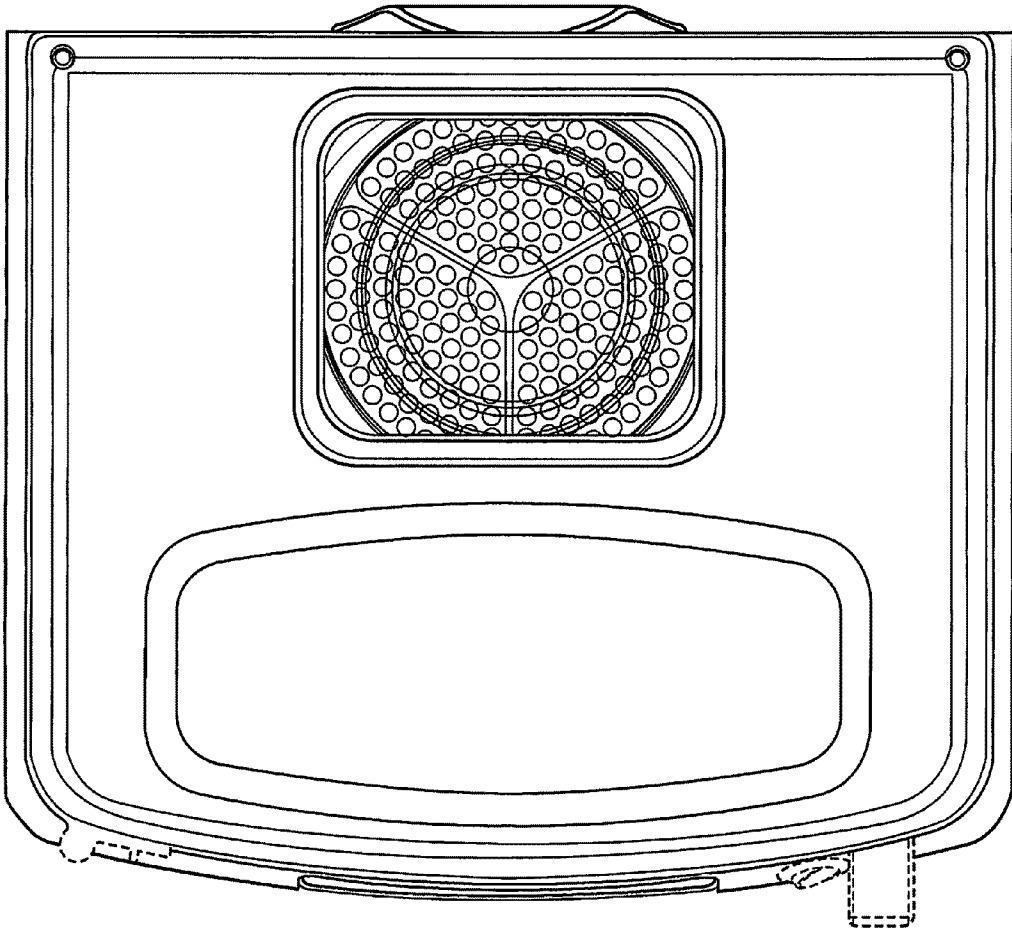


FIG. 6

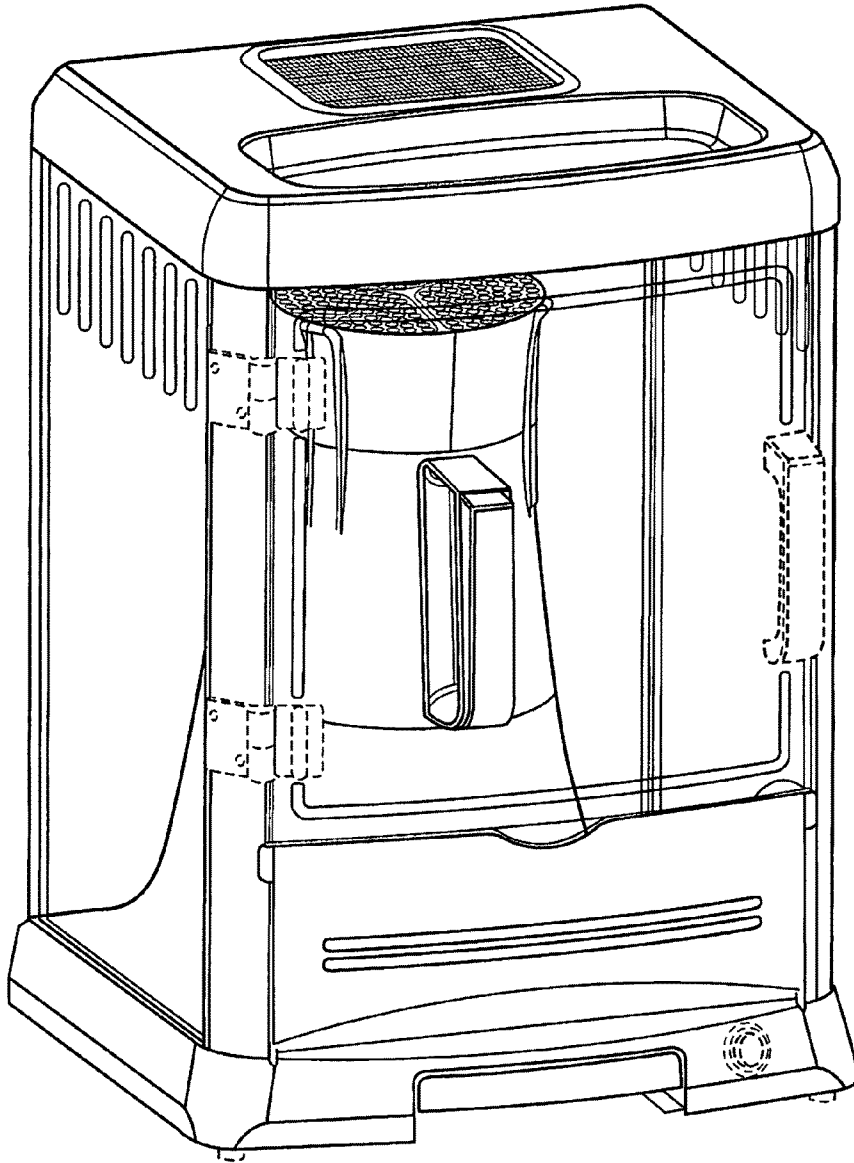


FIG. 7

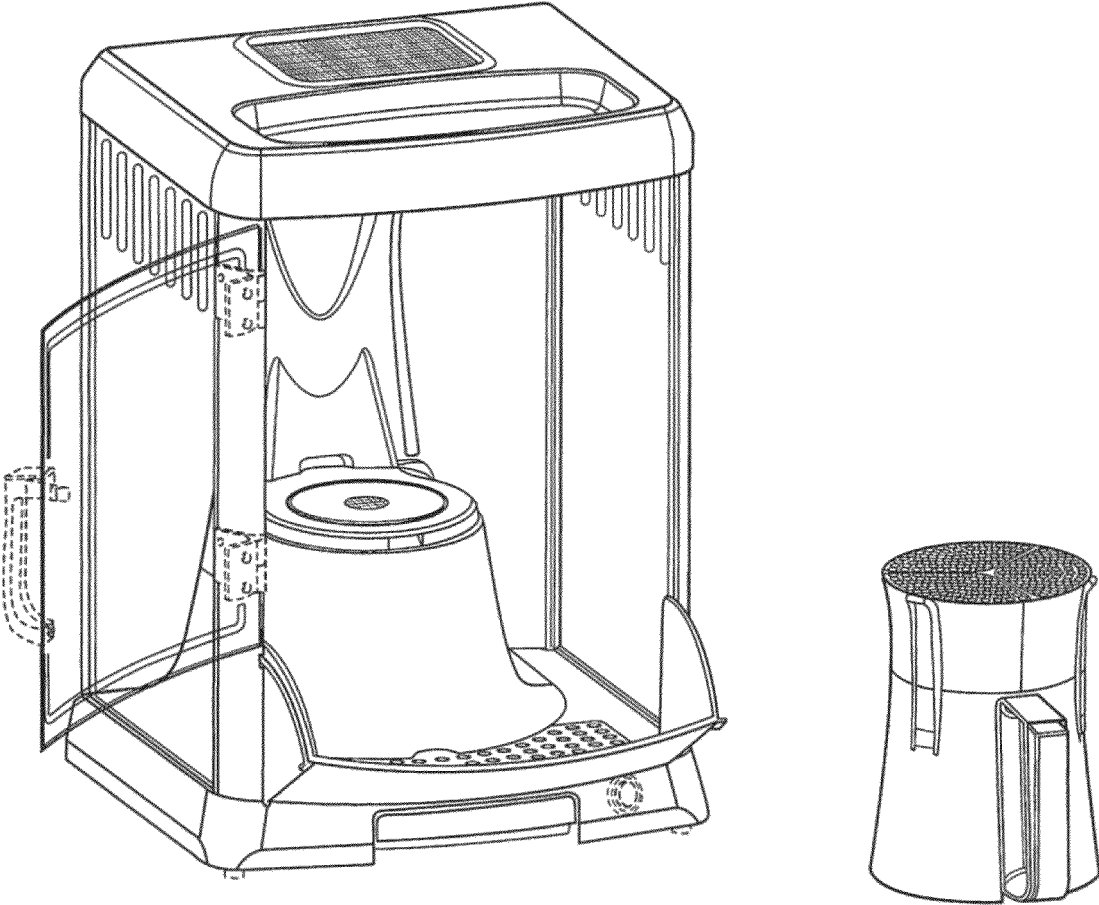


FIG. 8

