



US00D762401S

(12) **United States Design Patent**
Oaknin

(10) **Patent No.:** **US D762,401 S**

(45) **Date of Patent:** **** Aug. 2, 2016**

(54) **MULTI-TIER HEART SHAPED DISPLAY CASE**

D496,454 S * 9/2004 Beck D24/102
D523,757 S * 6/2006 Garcia D9/418

(Continued)

(71) Applicant: **I LOVE SUGAR, INC.**, Myrtle Beach, SC (US)

FOREIGN PATENT DOCUMENTS

(72) Inventor: **David M. Oaknin**, Myrtle Beach, SC (US)

CN 303223704 * 5/2015

OTHER PUBLICATIONS

(**) Term: **14 Years**

(21) Appl. No.: **29/494,476**

Heart Shaped Nesting Candy Gift Boxes: Announced Friday, Feb. 13, 2013 [online], site visited [Aug. 31, 2015]. Available from Internet URL: <http://www.aliexpress.com/item/Cardboard-Candy-Chocolate-Mache-Heart-Shaped-Boxes-Nesting-Gift-Boxes-Gold-Set-of-3/1798438937.html>.*

(Continued)

(22) Filed: **Jun. 20, 2014**

(51) **LOC (10) Cl.** **06-04**

(52) **U.S. Cl.**
USPC **D6/674**

(58) **Field of Classification Search**

USPC D6/315, 316, 342, 352, 391, 400, 406.4, D6/406.5, 407, 513, 514, 519, 552, 556, D6/570, 573, 576, 630, 635, 641, 652, 661, D6/668, 670, 672, 673, 674, 675, 677, 678, D6/680.2, 681, 683.1, 685, 691.5; D7/305, D7/339, 345, 359, 589, 600.1, 600.4, 602, D7/604, 610; D1/103, 104, 112; D11/14, D11/44, 81, 47, 48, 99, 132, 223, 232; D20/23, 29; 211/85.4, 85.7, 85.28, 211/166, 188; 108/25, 91
CPC A47F 3/00; A47F 3/085; A47F 1/00; A47F 1/04; A47F 1/06; A47F 1/0018; A47F 1/0807; B65D 83/0083; B65D 83/06
See application file for complete search history.

Primary Examiner — Thomas Johannes

Assistant Examiner — Catherine Posthauer

(74) *Attorney, Agent, or Firm* — Tarter Krinsky & Drogin LLP

(57) **CLAIM**

The ornamental design for a multi-tier heart shaped display case, substantially as shown and described.

DESCRIPTION

FIG. 1 is a top view of a multi-tier heart shaped display case, showing my new design with heart and circular shaped features forming no part of the claimed design;

FIG. 2 is a perspective view of the design of FIG. 1, with circular shaped features forming no part of the claimed design; and,

FIG. 3 is a side view of the design of FIG. 1, showing raised heart shaped features which form no part of the claimed design.

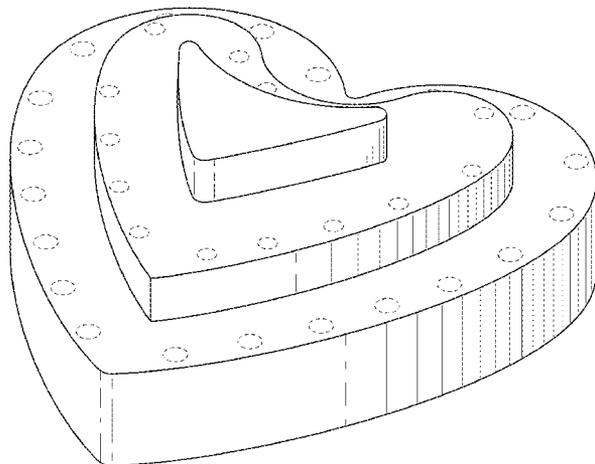
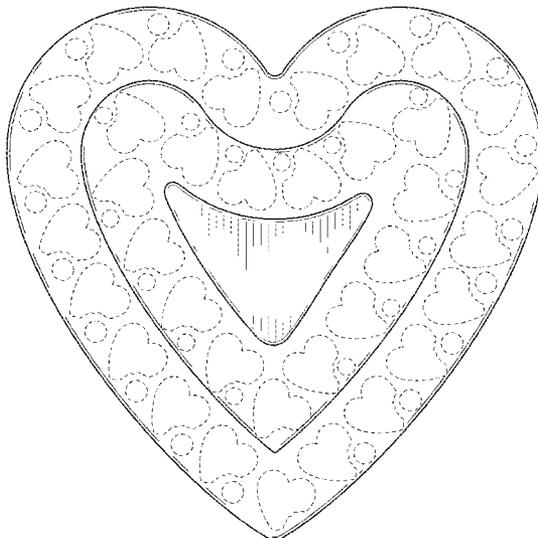
The broken lines are shown for the purpose of illustrating environmental subject matter and portions of the article that form no part of the claimed design.

1 Claim, 3 Drawing Sheets

(56) **References Cited**

U.S. PATENT DOCUMENTS

4,929,025 A * 5/1990 Lu A47C 3/16
267/133
D364,102 S * 11/1995 Coleman, Jr. D10/46.1
D375,456 S * 11/1996 Borgmann D9/629
D428,054 S * 7/2000 Hayashi D19/21



(56)

References Cited

U.S. PATENT DOCUMENTS

D529,746 S * 10/2006 Soleymani D6/303
D543,005 S * 5/2007 Pertz D99/5
D551,978 S * 10/2007 Daniels D9/456
D577,385 S * 9/2008 Sand D19/91
D588,491 S * 3/2009 Willour D11/200
D645,261 S * 9/2011 Puskas D6/303
D731,738 S * 6/2015 Jackson D99/3

OTHER PUBLICATIONS

Heart Shaped Box: Announced Jul. 27, 2008 [online] site visited [Aug. 25, 2015]. Available from Internet URL:<http://lava-tomato.deviantart.com/art/Heart-Shaped-Box-92966789>.*

5 Heart Shaped Boxes: Announced Mar. 13, 2012 [online], site visited [Aug. 25, 2015]. Available from Internet URL:http://ethnic-celebrations.com/index.php?main_page=product_info&cPath=3_106&products_id=339.*

* cited by examiner

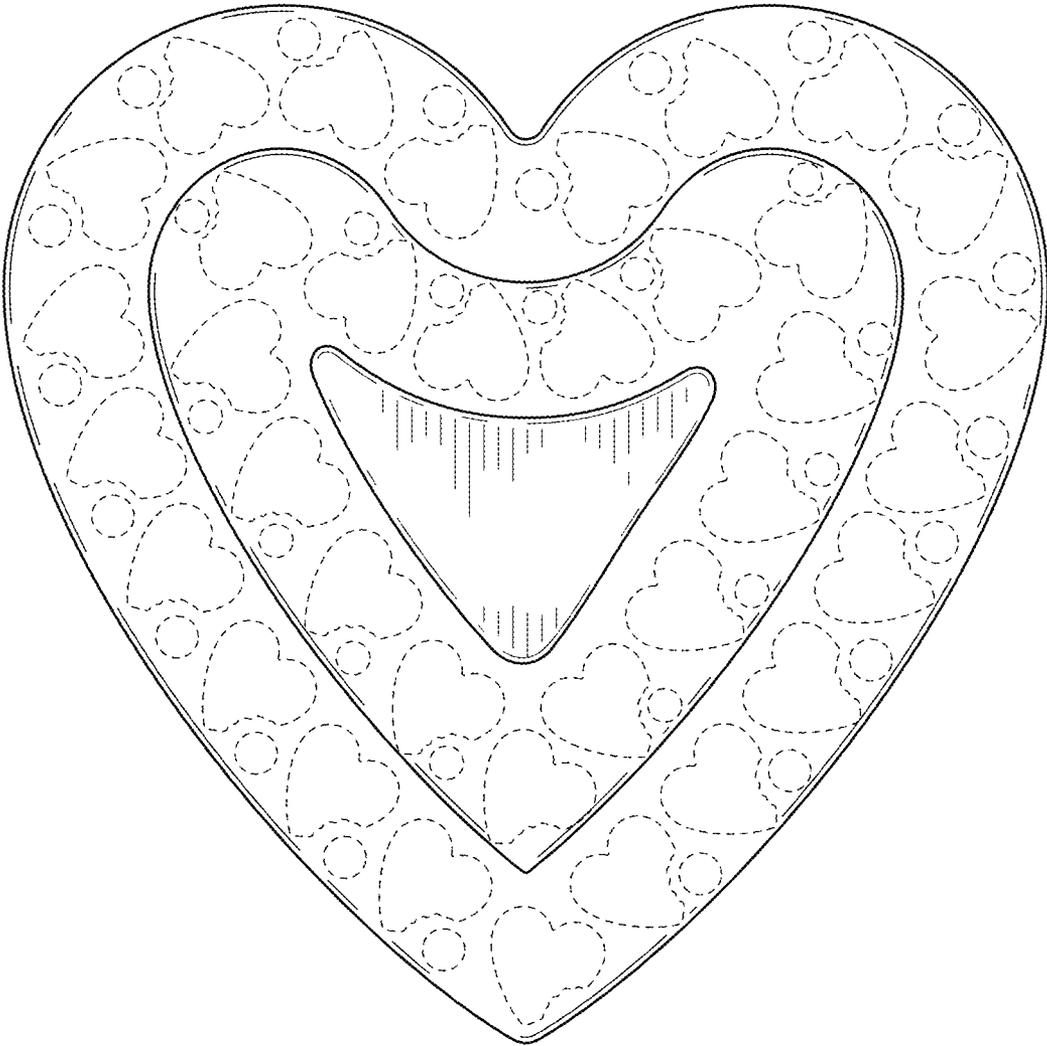


FIG. 1

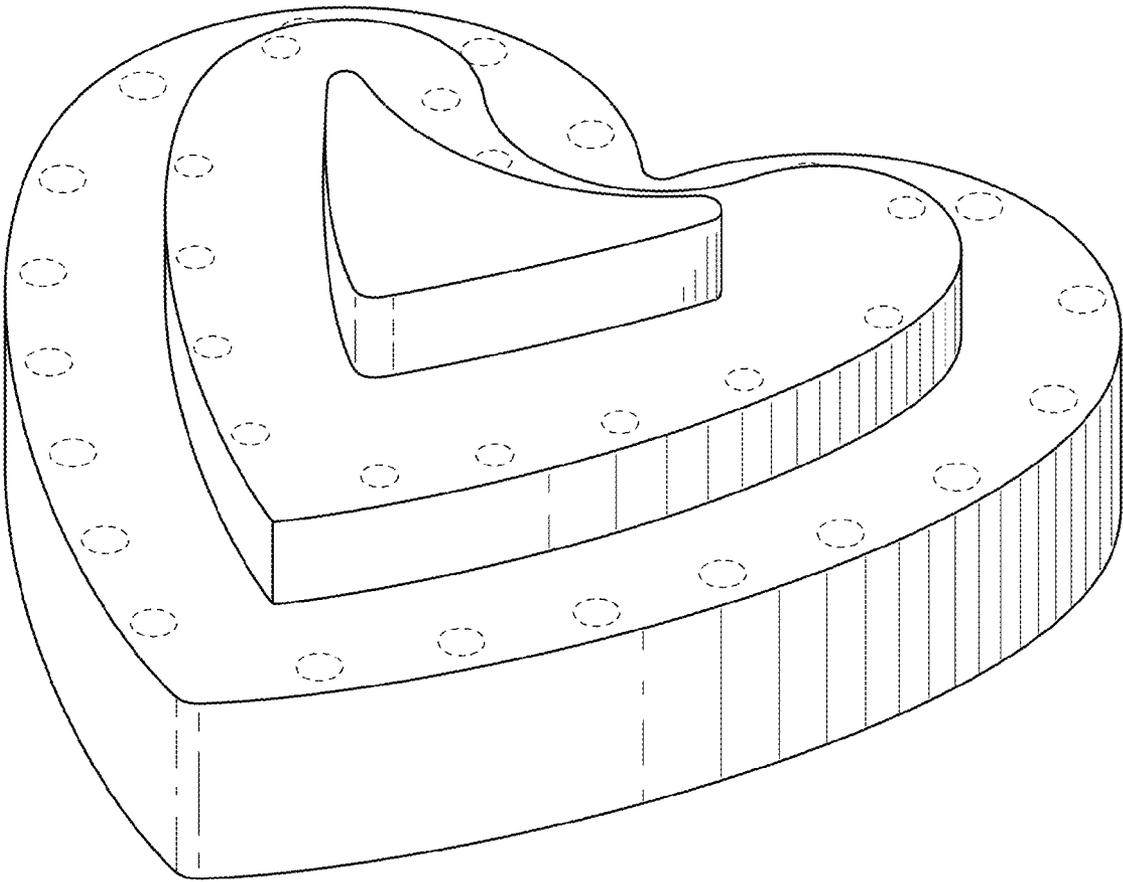


FIG. 2

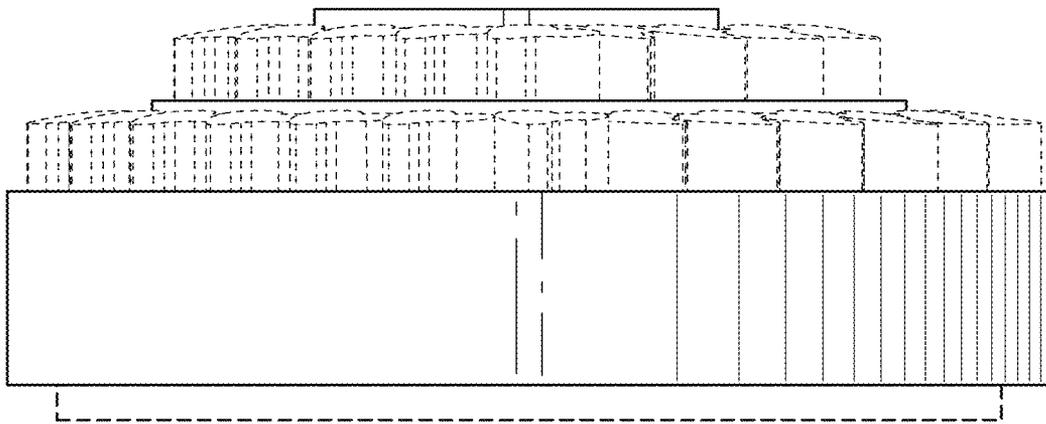


FIG. 3