



US00D898542S

(12) **United States Design Patent**
Marfione et al.

(10) **Patent No.:** **US D898,542 S**
(45) **Date of Patent:** **** Oct. 13, 2020**

(54) **SERRATED BLADE**

(71) Applicants: **Anthony Louis Marfione**, Fletcher, NC (US); **Justin Turner**, Fletcher, NC (US)

(72) Inventors: **Anthony Louis Marfione**, Fletcher, NC (US); **Justin Turner**, Fletcher, NC (US)

(73) Assignee: **Microtech Knives, Inc.**, Bradford, PA (US)

(**) Term: **15 Years**

(21) Appl. No.: **29/699,237**

(22) Filed: **Jul. 24, 2019**

(51) **LOC (12) Cl.** **08-03**

(52) **U.S. Cl.**
USPC **D8/99**

(58) **Field of Classification Search**
USPC D8/20, 70, 95-101; D7/649, 650; D15/17, 139; D22/117, 118
CPC B23D 49/006; B23D 49/10; B23D 49/11; B23D 49/14; B23D 61/121; B23D 61/123; B23D 61/126; B23D 61/128; B26B 1/02; B26B 1/048; B26B 3/08; A61B 17/3213

See application file for complete search history.

6,668,460 B2 * 12/2003 Feng B26B 1/042
30/155

D496,575 S * 9/2004 Carter, III D8/99

D497,531 S * 10/2004 Carter, III D8/99

D498,285 S * 11/2004 Trbovich, Jr. D22/118

D509,880 S * 9/2005 Trbovich, Jr. D22/118

7,111,402 B1 * 9/2006 Pearman B26B 1/04
30/151

7,124,510 B2 * 10/2006 Frazer B26B 1/046
30/161

7,437,822 B2 * 10/2008 Flagge B26B 1/044
30/160

7,694,421 B2 * 4/2010 Lin B26B 1/046
30/159

D614,933 S * 5/2010 Freeman D8/107

8,893,389 B2 11/2014 Freeman

8,939,054 B2 * 1/2015 Hawk B26B 1/04
83/13

8,966,768 B2 * 3/2015 Onion B25G 3/38
30/160

9,038,223 B2 * 5/2015 Carson B26B 11/00
7/118

(Continued)

Primary Examiner — Elizabeth A. Albert
(74) *Attorney, Agent, or Firm* — Steve LeBlanc, LLC

(57) **CLAIM**
The ornamental design for a serrated blade, as shown and described.

DESCRIPTION

FIG. 1 is a front perspective view of the serrated blade; FIG. 2 is a right side view of the serrated blade; FIG. 3 is a left side view of the serrated blade; FIG. 4 is a top view of the serrated blade; FIG. 5 is a bottom view of the serrated blade; FIG. 6 is a front view of the serrated blade; and, FIG. 7 is a rear view of the serrated blade. The broken lines in the drawings are included to show features that form no part of the claimed design.

1 Claim, 4 Drawing Sheets

(56) **References Cited**
U.S. PATENT DOCUMENTS

2,787,059 A * 4/1957 Wingen B26B 3/06
30/342

D371,288 S * 7/1996 Thompson D22/118

D384,871 S * 10/1997 McWillis D8/99

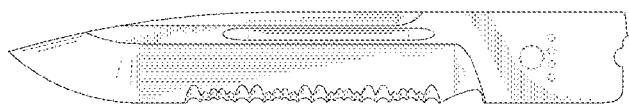
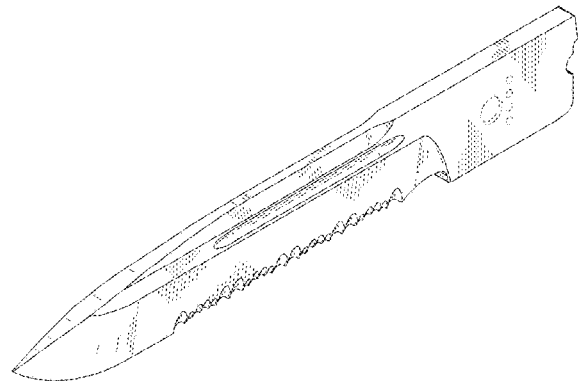
D407,004 S * 3/1999 Hull D8/99

D426,132 S 6/2000 Pardue

D438,442 S 3/2001 Osborne

D454,768 S 3/2002 Onion

D473,917 S * 4/2003 Carter, III D22/118



(56)

References Cited

U.S. PATENT DOCUMENTS

D752,411	S *	3/2016	Ma	D8/99
D765,217	S *	8/2016	Tom	D22/118
9,527,218	B2 *	12/2016	Valdez	B26B 1/02
9,862,104	B2 *	1/2018	France	B26B 1/048
D813,623	S	3/2018	Marfione		
D818,780	S *	5/2018	Davidson, III	D7/649
D851,464	S *	6/2019	Mitchell	D7/608
D874,900	S *	2/2020	Prieto	D8/99
2006/0168817	A1 *	8/2006	Kao	B26B 1/04 30/153
2009/0013537	A1 *	1/2009	Kao	B26B 1/02 30/159
2013/0188337	A1	7/2013	Staines		

* cited by examiner

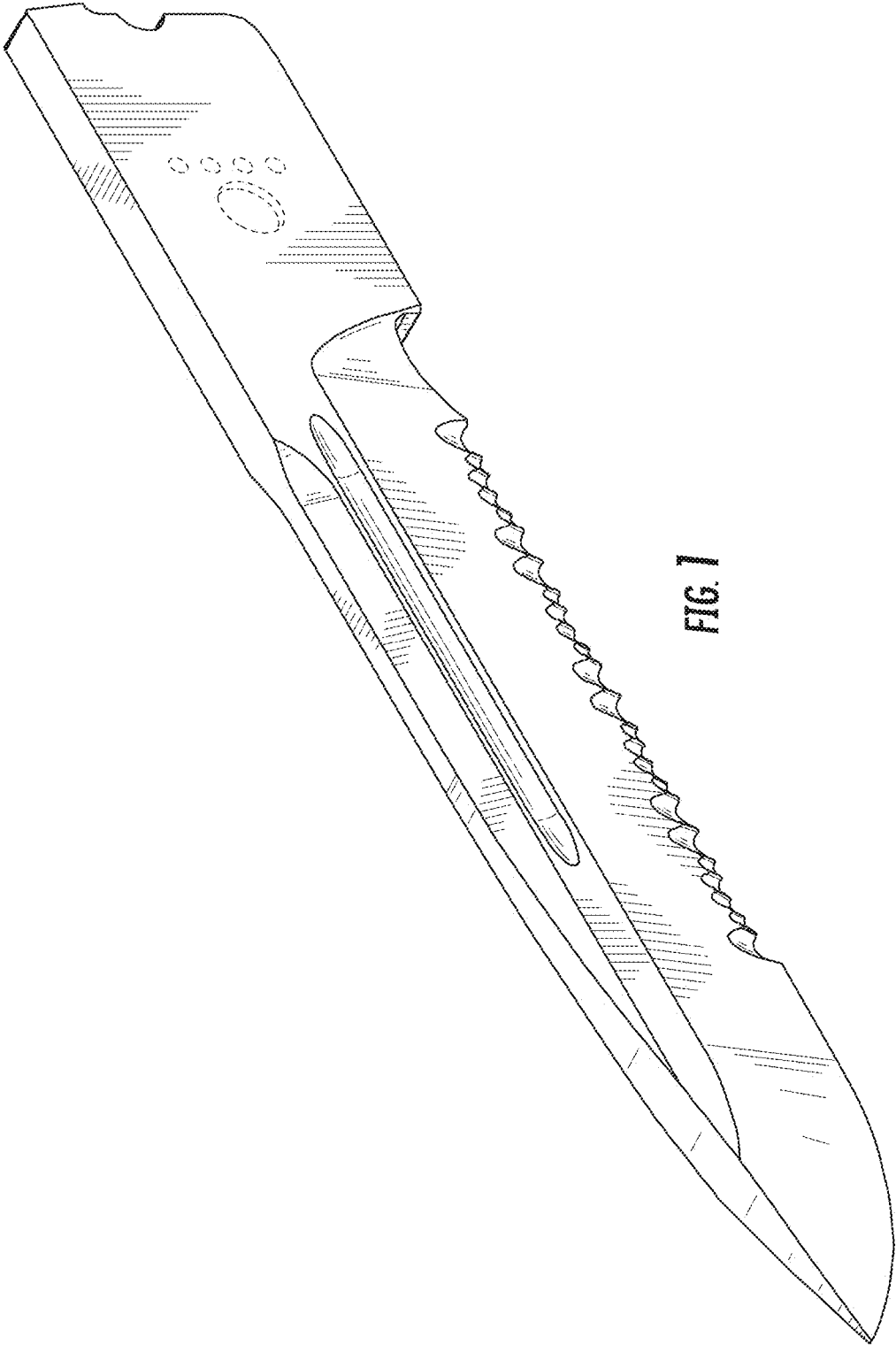


FIG. 1



FIG. 2



FIG. 3

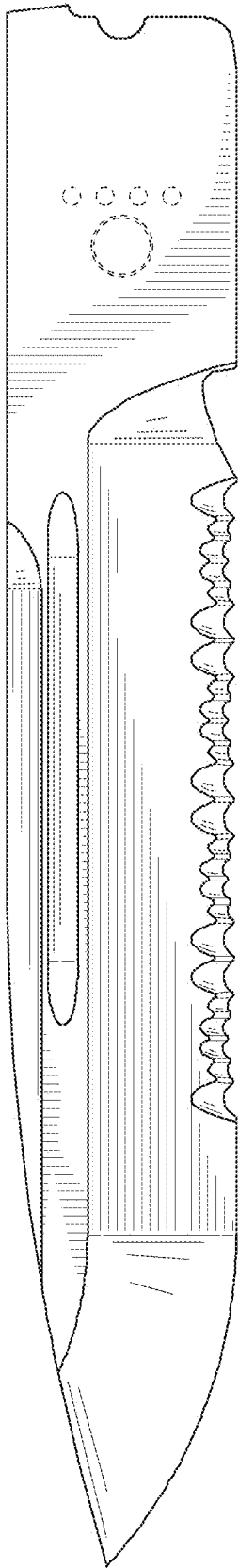


FIG. 4

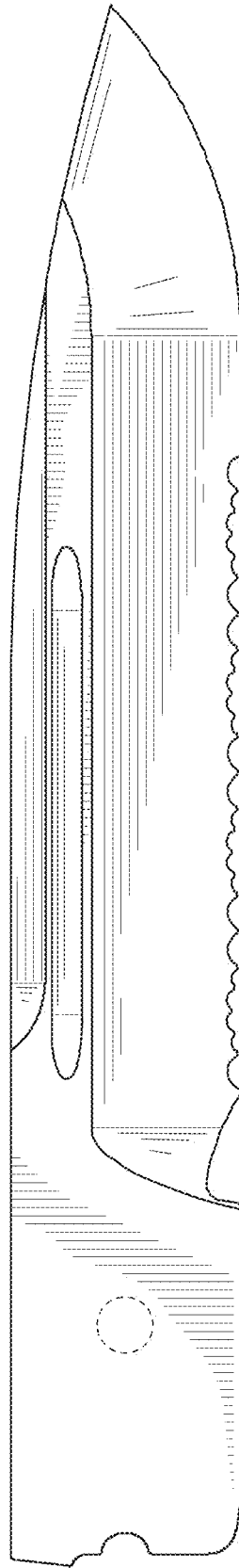


FIG. 5



FIG. 6

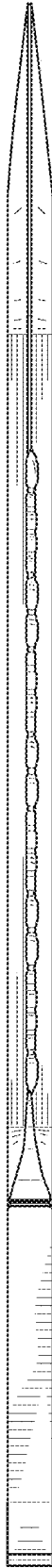


FIG. 7