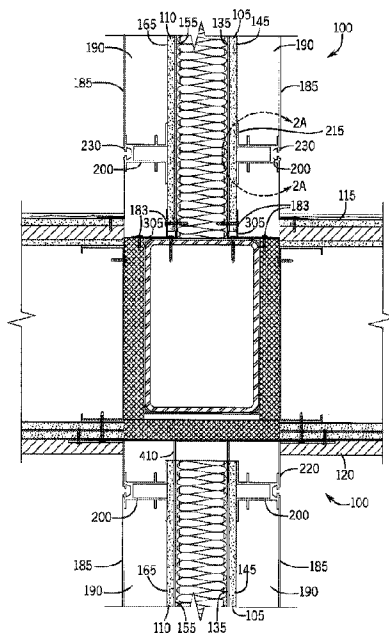




(86) Date de dépôt PCT/PCT Filing Date: 2017/03/07
 (87) Date publication PCT/PCT Publication Date: 2017/09/14
 (45) Date de délivrance/Issue Date: 2020/12/29
 (85) Entrée phase nationale/National Entry: 2018/08/24
 (86) N° demande PCT/PCT Application No.: US 2017/021174
 (87) N° publication PCT/PCT Publication No.: 2017/156011
 (30) Priorité/Priority: 2016/03/07 (US62/304,868)

(51) Cl.Int./Int.Cl. *E04B 2/72* (2006.01),
E04B 2/00 (2006.01), *E04B 2/02* (2006.01),
E04B 2/42 (2006.01), *E04B 2/74* (2006.01),
H02G 3/04 (2006.01)
 (72) Inventeurs/Inventors:
 COLLINS, ARLAN, US;
 WOERMAN, MARK, US
 (73) Propriétaire/Owner:
 INNOVATIVE BUILDING TECHNOLOGIES, LLC, US
 (74) Agent: BLAKE, CASSELS & GRAYDON LLP

(54) Titre : MUR MITOYEN PREFABRIQUE DOTE D'ELEMENTS DE PRISE DE CONDUIT EXTERNES
 (54) Title: PREFABRICATED DEMISING WALL WITH EXTERNAL CONDUIT ENGAGEMENT FEATURES



(57) **Abrégé/Abstract:**

A prefabricated demising wall assembly comprising two substrate panels each with an interior and exterior surface, the substrate panels configured to span between a floor and a ceiling of a building unit; a plurality of metal studs connecting the interior surfaces of the two substrate panels, wherein the plurality of metal studs define a space between the substrate panels; a fire sprinkler pipeline between the two substrate panels, wherein at least some of the plurality of metal studs have an aperture accommodating the fire sprinkler pipeline through an interior of the demising wall assembly; and a plurality of hanger elements operably attached to the exterior surfaces of the two substrate panels, wherein the plurality of hanger elements are configured to connect to a plurality of removable finish panels.

(12) INTERNATIONAL APPLICATION PUBLISHED UNDER THE PATENT COOPERATION TREATY (PCT)

(19) World Intellectual Property
Organization
International Bureau(10) International Publication Number
WO 2017/156011 A1(43) International Publication Date
14 September 2017 (14.09.2017)

(51) International Patent Classification:

E04B 2/72 (2006.01) *E04B 2/42* (2006.01)
E04B 2/00 (2006.01) *E04B 2/74* (2006.01)
E04B 2/02 (2006.01) *H02G 3/04* (2006.01)

(21) International Application Number:

PCT/US2017/021174

(22) International Filing Date:

7 March 2017 (07.03.2017)

(25) Filing Language:

English

(26) Publication Language:

English

(30) Priority Data:

62/304,868 7 March 2016 (07.03.2016) US

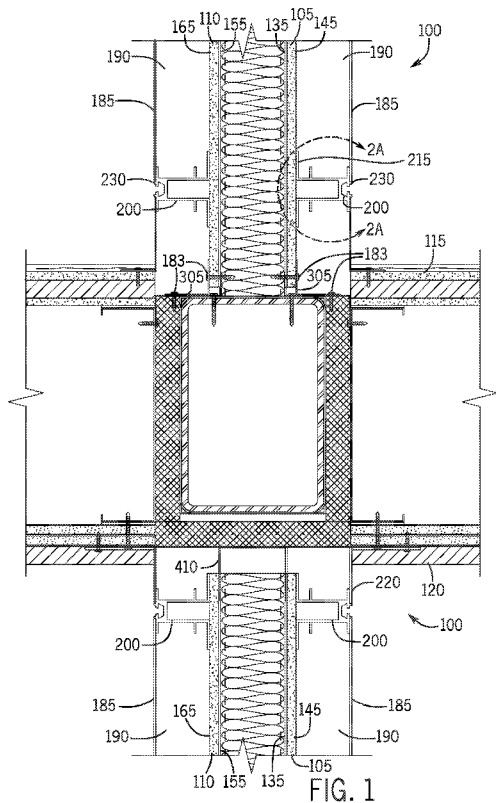
(71) Applicant: **INNOVATIVE BUILDING TECHNOLOGIES, LLC** [US/US]; 710 Second Avenue Suite 1400, Seattle, WA 98104 (US).(72) Inventors: **COLLINS, Arlan**; 710 Second Avenue Suite 1400, Seattle, WA 98104 (US). **WOERMAN, Mark**; 710 Second Avenue Suite 1400, Seattle, WA 98104 (US).(74) Agents: **DORSEY & WHITNEY LLP** et al.; 701 Fifth Avenue Suite 6100, Seattle, Washington 98104 (US).

(81) Designated States (unless otherwise indicated, for every kind of national protection available): AE, AG, AL, AM, AO, AT, AU, AZ, BA, BB, BG, BH, BN, BR, BW, BY, BZ, CA, CH, CL, CN, CO, CR, CU, CZ, DE, DJ, DK, DM, DO, DZ, EC, EE, EG, ES, FI, GB, GD, GE, GH, GM, GT, HN, HR, HU, ID, IL, IN, IR, IS, JP, KE, KG, KH, KN, KP, KR, KW, KZ, LA, LC, LK, LR, LS, LU, LY, MA, MD, ME, MG, MK, MN, MW, MX, MY, MZ, NA, NG, NI, NO, NZ, OM, PA, PE, PG, PH, PL, PT, QA, RO, RS, RU, RW, SA, SC, SD, SE, SG, SK, SL, SM, ST, SV, SY, TH, TJ, TM, TN, TR, TT, TZ, UA, UG, US, UZ, VC, VN, ZA, ZM, ZW.

(84) Designated States (unless otherwise indicated, for every kind of regional protection available): ARIPO (BW, GH,

[Continued on next page]

(54) Title: PREFABRICATED DEMISING WALL WITH EXTERNAL CONDUIT ENGAGEMENT FEATURES



(57) Abstract: A prefabricated demising wall assembly comprising two substrate panels each with an interior and exterior surface, the substrate panels configured to span between a floor and a ceiling of a building unit; a plurality of metal studs connecting the interior surfaces of the two substrate panels, wherein the plurality of metal studs define a space between the substrate panels; a fire sprinkler pipeline between the two substrate panels, wherein at least some of the plurality of metal studs have an aperture accommodating the fire sprinkler pipeline through an interior of the demising wall assembly; and a plurality of hanger elements operably attached to the exterior surfaces of the two substrate panels, wherein the plurality of hanger elements are configured to connect to a plurality of removable finish panels.



WO 2017/156011 A1

WO 2017/156011 A1 

GM, KE, LR, LS, MW, MZ, NA, RW, SD, SL, ST, SZ,
TZ, UG, ZM, ZW), Eurasian (AM, AZ, BY, KG, KZ, RU,
TJ, TM), European (AL, AT, BE, BG, CH, CY, CZ, DE,
DK, EE, ES, FI, FR, GB, GR, HR, HU, IE, IS, IT, LT,
LU, LV, MC, MK, MT, NL, NO, PL, PT, RO, RS, SE,

SI, SK, SM, TR), OAPI (BF, BJ, CF, CG, CI, CM, GA,
GN, GQ, GW, KM, ML, MR, NE, SN, TD, TG).

Published:

— *with international search report (Art. 21(3))*

**PREFABRICATED DEMISING WALL WITH EXTERNAL CONDUIT
ENGAGEMENT FEATURES**

CROSS-REFERENCE TO RELATED APPLICATION

[0001] This application claims priority to U.S. Provisional Application No. 62/304,868 filed on March 7, 2016.

BACKGROUND

[0002] Building design and construction is the last large industry in the world where the products (office building, shopping malls, apartments, etc.) are built by hand. The people who design the buildings (architects and engineers) are typically separate from the people who construct the buildings (contractors) for liability reasons. Architects do not want the liability of how the building is built, and conversely, contractors do not want the liability of how the building is drawn and engineered. Furthermore, buildings are constructed by people with specific trade skills, deployed in a linear sequence and buildings are typically built by hand outside in the elements. Therefore, conventional construction is more of a process than a product, resulting in a great deal of waste and inefficiency.

SUMMARY

[0003] This disclosure relates generally to modular building construction components and more specifically to methods and apparatus for a demising wall assembly and methods of installation thereof. In an example, a prefabricated demising wall assembly comprises two substrate panels each with an interior and exterior surface. The substrate panels may be configured to span between a floor and a ceiling of a building unit. The walls may comprise a plurality of metal studs that connect the interior surfaces of the two substrate panels, wherein the plurality of metal studs define a space between the substrate panels. The wall may comprise a fire sprinkler pipeline between the two substrate panels, wherein at least some of the plurality of metal studs have an aperture accommodating the fire sprinkler pipeline through an interior of the demising wall assembly. A plurality of hanger elements may be operably attached to

the exterior surfaces of the two substrate panels, and the plurality of hanger elements may be configured to connect to a plurality of removable finish panels.

[0004] Some example embodiments include methods of assembling a prefabricated demising wall in a building. In some examples, a method may include placing a demising wall assembly over a first beam of a structural frame of a building, the demising wall assembly including two wall substrate panels and metal studs connecting interior surfaces of the wall substrate panels. A lower portion of the demising wall assembly may then be attached to the structural frame using angle brackets attached to opposite sides of the demising wall assembly. An upper portion of the demising wall may then be connected to an upper floor and ceiling panel using a compensating track movably connected to the metal studs.

[0005] An example method of assembling a prefabricated demising wall assembly at a site distant from a building site may also be disclosed. The method may include attaching a plurality of non-combustible boards to a frame comprising a plurality of metal studs that forms two wall substrate panels of a demising wall panel separated by a space therebetween. Each of the two wall substrate panels may have an interior and exterior surface, and the wall substrate panels may be configured to span between a floor and a ceiling of a building unit. The interior surfaces of each of a plurality of hanger elements may be attached to the exterior surfaces of at least one of the two wall substrate panels. Conduit configured for the routing of electrical wire may then be installed to or proximate to at least one of the plurality of hanger elements, and electrical wire may then be installed into the conduit configured for routing the electrical wire. A plurality of finish panels may then be removably installed to the plurality of hanger elements.

BRIEF DESCRIPTION OF THE DRAWINGS

[0006] The foregoing and other features of the present disclosure will become more fully apparent from the following description, taken in conjunction with the accompanying drawings. Understanding that these drawings depict only several embodiments in accordance with the disclosure and are, therefore, not to be considered

limiting of its scope, the disclosure will be described with additional specificity and detail through use of the accompanying drawings, in which:

[0007] Fig. 1 is a partial sectional front elevation schematic illustration of an embodiment demising wall assembly at a floor and ceiling interface;

[0008] Fig. 2A is a partial schematic illustration of the demising wall assembly of Fig. 1 taken along line 2-2;

[0009] Fig. 2B is a partial sectional front elevation schematic illustration of an alternate embodiment demising wall assembly;

[0010] Fig. 3 is a partial sectional front elevation schematic illustration of an embodiment demising wall assembly;

[0011] Fig. 4 is a right side elevation schematic illustration of an embodiment demising wall assembly;

[0012] Fig. 5 is a top plan schematic illustration of the demising wall assembly of Fig. 4;

[0013] Fig. 6 is a cross sectional schematic illustration of the demising wall assembly of Fig. 4 taken along line 6-6;

[0014] Fig. 7 is a partial schematic illustration of the demising wall of Fig. 6 taken along line 7-7;

[0015] Fig. 8 is a partial schematic illustration of the demising wall of Fig. 6 taken along line 8-8;

[0016] Fig. 9 is a cross sectional schematic illustration of the demising wall assembly of Fig. 4 taken along line 6-6;

[0017] all arranged in accordance with at least some embodiments of the present disclosure.

DETAILED DESCRIPTION

[0018] In the following detailed description, reference is made to the accompanying drawings, which form a part hereof. In the drawings, similar symbols typically identify similar components, unless context dictates otherwise. The illustrative embodiments described in the detailed description, drawings, and claims are not meant to be limiting. Other embodiments may be utilized, and other changes may be made, without departing

from the spirit or scope of the subject matter presented herein. It will be readily understood that the aspect of the present disclosure, as generally described herein, and illustrated in the Figures can be arranged, substituted, combined, separated, and designed in a wide variety of different configuration, all of which are implicitly contemplated herein.

[0019] This disclosure is drawn, inter alia, to methods, systems, products, devices, and/or apparatus generally related to a prefabricated demising wall assembly comprising two substrate panels each with an interior and exterior surface. The substrate panels are configured to span between a floor and a ceiling of a building unit. The walls may comprise a plurality of metal studs that connect the interior surfaces of the two substrate panels, wherein the plurality of metal studs define a space between the substrate panels. The wall may comprise a fire sprinkler pipeline between the two substrate panels, wherein at least some of the plurality of metal studs have an aperture accommodating the fire sprinkler pipeline through an interior of the demising wall assembly. A plurality of hanger elements may be operably attached to the exterior surfaces of the two substrate panels, wherein the plurality of hanger elements may be configured to connect to a plurality of removable finish panels.

[0020] The demising wall assembly may be a sub-assembly that may solve and/or alleviate the following problems in mid-rise and high rise residential projects: (a) costly and time consuming in-field construction of demising (or separation) walls between units; (b) providing acoustical separation between units; (c) waterproofing, energy and thermal separation in between units; and (d) providing interior finishes for a portion of the living space. The demising wall assembly may meet and/or contribute to meeting: fire protection and codes; acoustical rating for ambient noise transfer; energy rating; tolerances for connecting to other wall panels; thermal and moisture protection. It is to be understood that not all embodiments may solve and/or alleviate all, or even any, of the above described problems, and the problems are provided to facilitate appreciation of aspects of some embodiments described herein.

[0021] Demising wall assemblies may be fully integrated sub-assemblies that include 9'x22' non-combustible substrate panels interiorly connected by metal studs, wherein

the substrate panels are exteriorly connected to horizontal hanger elements, and wherein the hanger elements are configured for exteriorly connecting to finish panels.

[0022] Fig. 1 is a partial sectional front elevation schematic illustration of an embodiment demising wall assembly at a floor and ceiling interface in accordance with at least some embodiments described herein. Fig. 1 shows a demising wall assembly 100; two substrate panels 105, 110 with an interior surface 135, 155 and an exterior surface 145, 165; a floor 115; a ceiling 120; a space 130 between the substrate panels 105, 110; a plurality of hanger elements 200 with an interior surface 215; a finish panel retaining feature 230; sound insulation 190; a plurality of individual finish panels 185; a plurality of angle brackets 305; a compensating track 410; and fasteners 183. The various components described in Fig. 1 are merely examples, and other variations, including eliminating components, combining components, and substituting components are all contemplated.

[0023] An example embodiment may include a demising wall assembly 100 with two substrate panels 105, 110, each of the substrate panels 105, 110 configured to span between a floor 115 and a ceiling 120 of a building unit. The two substrate panels 105, 110 have a space 130 between them. The first substrate panel 105 includes an interior surface 135 and an exterior surface 145. The first substrate panel 105 may be a non-combustible material such as a magnesium oxide (MgO) board or other lightweight, waterproof, non-combustible material. The second substrate panel 110 includes an interior surface 155 and an exterior surface 165. The second substrate panel 110 may be a non-combustible material such as magnesium oxide (MgO) board or other lightweight, waterproof, non-combustible material. The substrate panels 105, 110 may be attached to a plurality of studs with their interior surface facing one another. Angle brackets 305 may be attached (e.g., mechanically fastened using fasteners 183) to the demising wall assembly 100, for example to the substrate panels 105, 110 and may be used to attach the demising wall assembly 100 to the floor 115. A compensating channel 410 may be provided at a top portion of the demising wall assembly 100 when joining the demising wall assembly 100 to the ceiling 120. The compensating channel 410 may be movably connected to the lower portion of the demising wall assembly 100, which

may reduce transfer of loads from structure above the demising wall assembly 100 to the lower portion of the demising wall assembly 100.

[0024] The demising wall 100 may also include a plurality of hanger elements 200 that may be arranged generally horizontally along one or more of the substrate panels. The hanger elements 200 may have a length that is equal to the majority of the length of the demising wall assembly 100 or the full length of the demising wall assembly 100. In some examples, the hanger elements 200 may be implemented in the form of a continuous bracket which extends substantially the full length of the demising wall assembly 100. In some examples, the hanger elements 200 may only span a portion of the length of the demising wall assembly 100. In further examples, the hanger elements 200 may be implemented as a plurality of separate shorter brackets that are arranged at intermittent locations along the length of the demising wall assembly. Other variations or combinations may be used.

[0025] An interior surface 215 of a hanger element 200 may be attached to an exterior surface (e.g., surface 145, or 165) of a substrate panel (e.g., substrate panel 105, or 110), for example using fasteners (not pictured). One or more finish panels 185 may be adjacent to both the first exterior surface 220 and the finish panel retaining feature 230 of the hanger element 200. The hanger elements 200 may be configured to provide the finish panels in a spaced relation with respect to the exterior surfaces 145, 165 of the substrate panels 105, 110, such as to accommodate additional components (e.g., electrical wire, insulation) therebetween. In this regard, the hanger elements 200 may interchangeably be referred to as spacer elements.

[0026] In certain embodiments, the angle brackets 305 may be attached to the floor 115 by fasteners 183. The angle brackets 305 may be used to provide alignment of the bottom edge of the demising wall assembly 100 during the installation of the demising wall assembly 100 and also used to then attach the demising wall assembly 100 to the floor 115 or components of the floor 115.

[0027] In some examples, sound insulation 190 may be provided within the space defined between the finish panels 185 and the exterior surfaces 145, 165 of the substrate panels 105, 110. In some examples, sound insulation 190 may be installed above and below a hanger element 200 and between the finish panel 185 and the exterior surface

150 of the first substrate panel 105, and also installed above and below an hanger element 200 and between the finish panel 185 and the exterior surface 165 of the second substrate panel 110. In some examples, the sound insulation 190 may occupy only a portion of the space between the finish panels 185 and the exterior surfaces 145, 165 of the substrate panels 105, 110. In some examples, additional components, such as electrical conduits and/or air ducts may be provided in the space between the finish panels 185 and the exterior surfaces 145, 165 of the substrate panels 105, 110.

[0028] Fig. 2A is a partial schematic illustration of the demising wall assembly of Fig. 1 taken along line 2-2 in accordance with at least some embodiments described herein. Fig. 2A shows a hanger element 200 with an upper section 205; a lower section 210; an interior surface 215; a first exterior surface 220; a U shaped channel 225 with a width 226 and an interior surface 227; a U-shaped channel 228; a finish panel retaining feature 230; an interior aperture 240; an exterior aperture 250; a plurality of conduit engagement features 260; and at least one finish panel 185. The various components described in Fig. 2 are merely examples, and other variations, including eliminating components, combining components, and substituting components are all contemplated.

[0029] An embodiment of the hanger element 200 may be symmetrical about a horizontal plane 2A, such that an upper section 205 is a mirror image of a lower section 210. This may allow a hanger element 200 to be used with greater versatility as it can be mounted in various configurations. In an example embodiment, the hanger element 200 may be manufactured from a plastic, fiber reinforced plastic or other composite materials such as a fiber reinforced resin. The hanger element 200 may be manufacturing as a pultrusion or extrusion technique, various composite manufacturing techniques, molding, casting, machining, or other techniques. In some embodiments, the hanger element 200 may be manufactured as an extruded metal (e.g., aluminum, steel, iron, or an alloy) member.

[0030] As shown in Fig. 2A, both the upper 205 and lower 210 sections of the hanger element 200 have an interior surface 215 and a first exterior surface 220. Both the upper 205 and lower 210 sections of the hanger element 200 may further comprise a U shaped channel 225 with a width 226 and an interior surface 227. The first exterior surface

220 of each section 205, 210 may be adjacent to a finish panel retaining feature 230. As described below with reference to Fig. 4, the finish panel retaining feature 230 may have a continuous length along the entire length of the hanger element 200, or in an alternate embodiment, it may be broken up intermittently by a vertical rod retaining feature (not pictured).

[0031] The hanger element 200 may have an interior aperture 240 and an exterior aperture 250. The apertures 240, 250 may act as or further include conduit engagement features 260 such that a conduit 265 (not pictured) may be placed throughout the horizontal length of the hanger element 200. (This embodiment is described below with reference to Fig. 9.) Furthermore, the horizontal surface 207 of either the upper section 205 or the lower section 210 may act as conduit engagement feature 260 such that conduit 265 (not pictured) may be placed adjacent the horizontal length of the hanger element 200. (This embodiment is described below with reference to Fig. 9.) In some embodiments, the conduit engagement feature 260 may be integrally formed with the hanger element 200. In some embodiments, the conduit engagement feature may be connected to the hanger element 200.

[0032] Fig. 2B is a partial sectional front elevation schematic illustration of an alternate embodiment demising wall assembly in accordance with at least some embodiments described herein. Fig. 2B shows a hanger element 200 with an upper section 205; a lower section 210; a U-channel 225 with an interior surface 227; a U-channel 228 with an interior surface 207; an interior aperture 240; an intermediate aperture 245; an exterior aperture 250; a conduit engagement feature 260, 260a, 260b, 260c, 260d; 260e; conduit 265; and at least one finish panel 185. The various components described in Fig. 2B are merely examples, and other variations, including eliminating components, combining components, and substituting components are all contemplated.

[0033] The hanger element 200 of Fig. 2B may be similar to that of the hanger element 200 in Fig. 2A, with some structural differences. For example, the hanger element 200 of Fig. 2B may have an intermediate aperture 245 in addition to an interior aperture 240 and an exterior aperture 250. The apertures 240, 245, and 250 may act as

or further include conduit engagement features 260 such that a conduit 265 may be placed throughout the horizontal length of the hanger element 200.

[0034] As shown in Fig. 2B, both the upper 205 and lower 210 sections of the hanger element 200 have an interior surface 215 and a first exterior surface 220. Both the upper 205 and lower 210 sections of the hanger element 200 may feature a conduit engagement feature 260 such that conduit 265 may be mounted in a variety of locations the length of the demising wall assembly. In one embodiment, the conduit engagement feature 260c is located on an interior surface 227 of a U-shaped channel 225 such that conduit may be installed to sit within the U-shaped channel 225. In an additional embodiment, the conduit engagement feature 260b is located within an interior aperture 240 formed by the hanger element 200 and the exterior surface 145 of the substrate panel 105 such that conduit 265 may be installed to run within the hanger element 200. In an additional embodiment, the conduit engagement feature 260a is connected to the U-shaped channel 228 such that conduit 265 may be installed to sit in on the surface 207 of the U-shaped channel 228. In an additional embodiment, the conduit engagement feature 260d may be connected to the exterior aperture 250 such that the conduit 265 may be installed to sit within the exterior aperture 250. In an additional embodiment, the conduit engagement feature 260e is located within the intermediate aperture 245 such that the conduit 265 may be installed to run within the hanger element 200.

[0035] Fig. 3 is a partial sectional front elevation schematic illustration of a demising wall assembly in accordance with at least some embodiments described herein. Fig. 3 shows a demising wall assembly 100; two substrate panels 105, 110; interior surfaces 135, 155; exterior surfaces 145, 165; a plurality of hanger elements 200, each with an interior surface 215 and a first exterior surface 220; a fastener 183; at least one individual finish panel 185 with an interior surface 185a, a first vertical edge 185b, a second vertical edge 185c, a top horizontal edge 185d, a bottom horizontal edge 185e, and an exterior surface 185f; and a finish panel retaining feature 230. The various components described in Fig. 3 are merely examples, and other variations, including eliminating components, combining components, and substituting components are all contemplated.

[0036] The interior surface 215 of the hanger element 200 may be attached to the exterior surfaces 145, 165 of the substrate panels 105, 110 using fasteners 183. A finish panel 185 may be adjacent to both the first exterior surface 220 and the finish panel retaining feature 230 of the hanger element 200. An individual finish panel 185 has an interior surface 185a, a first vertical edge 185b, a second vertical edge 185c, a top horizontal edge 185d, a bottom horizontal edge 185e, and an exterior surface 185f. The interior surface 185a of the finish panel 185 may be adjacent to the first exterior surface 220, and the bottom horizontal edge 185e may be adjacent the finish panel retaining feature 230. In an alternate embodiment, the interior surface 185a of the finish panel may be adjacent to the first exterior surface 220, and the top horizontal edge 185d may be adjacent the finish panel retaining feature 230. An individual finish panel 185 may be attached to first exterior surface 220 of the hanger element 200 using fasteners 183 (not shown). It will be appreciated that one or multiple individual finish panels 185 may be attached to the hanger elements 200 of a demising wall assembly as may depend on a desired interior layout and or particular arrangement of the hanger elements 200.

[0037] Fig. 4 is a right side elevation schematic illustration of an embodiment demising wall assembly in accordance with at least some embodiments described herein. Fig. 4 shows a demising wall assembly 100; a first substrate panel 105 with an exterior surface 145; a plurality of hanger elements 200; and a plurality of angle brackets 305. The various components described in Fig. 4 are merely examples, and other variations, including eliminating components, combining components, and substituting components are all contemplated.

[0038] In an embodiment, the demising wall assembly 100 may contain multiple substrate panel panels 105 and 110 (shown in Fig. 1) connected to a plurality of hanger elements 200. The embodiment of the demising wall assembly 100 as shown in Fig. 4 has multiple first substrate panels 105 that encompass a majority length of the demising wall assembly 100. A plurality of hanger elements 200 are installed on the exterior surface 145 of the first substrate panels 105. A plurality of angle brackets 305 are connected to a lower portion of the exterior surfaces 145 of the first substrate panels 105. The hanger elements 200 may be regularly or irregularly spaced. In some examples, the vertical spacing between adjacent hanger elements 200 may be up to

about 6 inches. In some examples, vertical spacing between adjacent hanger elements 200 may be greater than 6 inches, for example about 10 inches, about 12 inches or more. As previously described, in some examples, the hanger elements 200 may be implemented as discontinuous separate brackets, for example arranged in a pattern determined by a shape and size of a finish panel such that a hanger elements 200 is provided at least at the corners of a finish panel for attachment thereto.

[0039] Fig. 5 is a top plan schematic illustration of the demising wall assembly of Fig. 4 in accordance with at least some embodiments described herein. Fig. 5 shows a demising wall assembly 100, two substrate panels 105, 110 with interior surfaces 135, 155 and exterior surfaces 145, 165; a space 130 between the substrate panels 105, 110; a plurality of metal studs 175; a plurality of hanger elements 200; and a plurality of angle brackets 305. The various components described in Fig. 5 are merely examples, and other variations, including eliminating components, combining components, and substituting components are all contemplated.

[0040] A plurality of metal studs 175 with a length equivalent to the vertical height or the majority of the vertical height of the demising wall assembly 100 may be aligned vertically and connect the interior surface 135 of the first substrate panel 105 with the interior surface 155 of the second substrate panel 110. The plurality of metal studs 175 are spatially separated along the interior surfaces 135, 155. In an embodiment, the metal studs 175 may be shaped similar to a C-channel, with the opening of the interior studs facing the same direction. In a different embodiment, the vertical metal studs 175 may be shaped differently from each other. The hanger elements 200 may have a length that is substantially the same length as the overall demising wall assembly 100. The plurality of angle brackets 305 may be spatially separated along the exterior surfaces 145, 165.

[0041] Fig. 6 is a cross sectional schematic illustration of the demising wall assembly of Fig. 4 taken along line 6-6 in accordance with at least some embodiments described herein. Fig. 6 shows a demising wall assembly 100; two substrate panel 105, 110 with interior surfaces 135, 155 and exterior surfaces 145, 165; a space 130; a plurality of hanger elements 200; a plurality of angle brackets 305; a compensating track 410; and a metal strap 420. The various components described in Fig. 6 are merely examples,

and other variations, including eliminating components, combining components, and substituting components are all contemplated.

[0042] In an embodiment shown in Fig. 6, the demising wall assembly 100 may be connected to the ceiling 120 (see e.g., Fig. 1) by way of a compensating channel 410 attached to a metal strap 420 and to the floor 115 (not pictured) by way of angle brackets 305. A plurality of hanger elements 200 may be connected to the exterior surfaces 145, 165 of the two substrate panels 105, 110. The details regarding the attachment to the ceiling are discussed in more detail below with reference to Fig. 7. The details regarding the attachment to the floor are discussed in more detail below with reference to Fig. 8.

[0043] Fig. 7 is a partial schematic illustration of the demising wall of Fig. 6 taken along line 7-7 in accordance with at least some embodiments described herein. Fig. 7 shows a demising wall assembly 100; two substrate panels 105, 110 with interior surfaces 135, 155 and exterior surfaces 145, 155; a space 130; a metal stud 175; a plurality of hanger elements 200; a compensating track 410; a metal strap 420; fasteners 183; and at least one downwardly extending flange 411. The various components described in Fig. 7 are merely examples, and other variations, including eliminating components, combining components, and substituting components are all contemplated.

[0044] Fig. 7 shows the top section of a demising wall assembly 100. The demising wall assembly 100 may include a compensating track 410 movably connected to one or more of the studs 175. The compensating track 410 may include a generally U-shaped channel (an inverted U-shape in the illustrated view) with opposing flanges 411. As shown in one embodiment, the compensating track 410 may be connected to a metal strap 420. During installation of the demising wall in a building, the metal strap may be connected to the ceiling 120 (see e.g., Fig. 1) and/or a structural frame of the building. In an alternate embodiment, a compensating track 410 may be connected directly to the ceiling 120 or the structural frame. The compensating track 410 may be arranged such that downward facing flanges 411 of the compensating track 410 may be received between the substrate panels 105, 110 and the metal studs 175. In some embodiments, an additional layer (e.g., a sound dampening layer, a fire barrier layer)

may be provided between the interior surfaces 135, 155 of the substrate panels 105, 110 and the metal studs 175. The additional layer may terminate below the flanges 411 of the compensating track thereby defining a cavity wherein the flanges 411 may be received.

[0045] In some embodiments, the compensating track 410 may include at least one downwardly extending flange 411 which attaches to the plurality of metal studs 175 via fasteners 183 passing through a slot in the at least one downwardly extending flange 411. The slot may have a length to allow sufficient vertical movement of the at least one downwardly extending flanges 411 relative to the plurality of metal studs 175 to reduce the transfer of loads, for example from deflections of a floor 115 and ceiling 120, to the demising wall assembly 100.

[0046] Fig. 8 is a partial schematic illustration of the demising wall of Fig. 6 taken along line 8-8 in accordance with at least some embodiments described herein. Fig. 8 shows a demising wall 100; two substrate panels 105, 110 with exterior surfaces 145, 165; a space 130; a metal stud 175; a plurality of hanger elements 200; and a plurality of angle brackets 305. The various components described in Fig. 8 are merely examples, and other variations, including eliminating components, combining components, and substituting components are all contemplated.

[0047] In the embodiment of Fig. 8, the plurality of angle brackets 305 contact the exterior surfaces 145, 165 of the substrate panels 105, 110. The angle brackets 305 may be fastened to the floor 115 (not pictured) by fasteners 183 (not shown). The angle brackets 305 may then be fastened using fasteners 183 (not shown) to exterior surfaces 145, 165 of the substrate panels 105, 110.

[0048] Fig. 9 is a cross sectional schematic illustration of the demising wall assembly of Fig. 4 taken along line 6-6 in accordance with at least some embodiments described herein. Fig. 9 shows a demising wall assembly 100; two substrate panels 105, 110 with interior surfaces 135, 155, and exterior surfaces 145, 165; a space 130; a plurality of hanger elements 200; a plurality of angle brackets 305; an interior aperture 240; an exterior aperture 250; a compensating track 410; a metal stud 175; a metal strap 420; a conduit engagement feature 260, 260a, 260b, 260c, 260d; conduit 265; a U-shaped channel 228 with a surface 207, a U-shaped channel 225 with a surface 227; an air duct

450; a fire suppression pipeline aperture 140; and a fire suppression pipeline 141. The various components described in Fig. 5 are merely examples, and other variations, including eliminating components, combining components, and substituting components are all contemplated.

[0049] In an embodiment shown in Fig. 9, the demising wall assembly 100 has two substrate panels 105, 110 whose interior surfaces 135, 155 are attached by a plurality of metal studs 175. In an embodiment, each of the metal studs 175 has a fire pipeline suppression aperture 140. A fire suppression pipeline 141 may be installed through the aperture 140 of each of the metal studs 175. The demising wall assembly 100 also has a plurality of hanger elements 200 connected to the exterior surfaces 145, 165 of the two substrate panels 105, 110. The hanger element 200 features a conduit engagement feature 260 such that conduit 265 may be mounted in a variety of locations the length of the demising wall assembly. In one embodiment, the conduit engagement feature 260c is located on an interior surface 227 of a U-shaped channel 225 such that conduit may be installed to sit within the U-shaped channel 225. In an additional embodiment, the conduit engagement feature 260b is located within an interior aperture 240 formed by the hanger element 200 and the exterior surface 145, 165 of the substrate panels 105, 110 such that conduit 265 may be installed to run within the hanger element 200. In an additional embodiment, the conduit engagement feature 260a is connected to the U-shaped channel 228 such that conduit may 265 may be installed to sit in on the surface 207 of the U-shaped channel 228. In an additional embodiment, the conduit engagement feature 260d may be connected to the exterior aperture 250 such that the conduit 265 may be installed to sit within the exterior aperture 250.

[0050] Function and features of a demising wall assembly 100 as shown in Figs. 1-9 will be described in further detail below.

[0051] The demising wall assembly may be assembled at a location away from the job site where it will ultimately be installed at. The assembly process may begin with connecting the metal studs 175, the substrate panels 105, 110, and the hanger elements 200. As shown in Fig. 5, the plurality of metal studs 175 may be spaced at various intervals along the length of the demising wall assembly 100 and are also placed at the ends 102 of the demising wall assembly 100.

[0052] A variety of additional components may be temporarily installed. This temporary installation increases the overall efficiency of the installation process. It ensures that the components are properly sized to fit the current demising wall assembly 100, saving the installers time in not having to measure and cut the items to length once at the job site. It also ensures that the required components are transported to the job site, saving the installers the time associated with looking for the correct parts to go with the assembly. It also prevents the potential mix up of materials such that the wrong components are cut or procured for the assembly, and prevents the possibility that the correct parts are misplaced or potentially scavenged for use in a different, incorrect assembly once at the job site, this saving installers time associated with fixing these issues.

[0053] In some embodiments, the metal studs 175 have fire suppression pipeline aperture 140, and a fire suppression pipeline 141 may be installed within the fire suppression pipeline aperture 140. In some embodiments, conduit 265 may be temporarily installed into conduit engagement feature 260 of at least one hanger elements 200. In some embodiments, sound insulation 190 may be temporarily installed above and below at least one hanger element 200. In some embodiments, an air duct 450 may be temporarily installed above or below at least one hanger element 200. In some embodiments, finish panels 185 may be temporarily installed wherein each finish panel contacts the first exterior surface 220 and the finish panel retaining feature 230 of a hanger element 200. In some embodiments, the compensating track 410 may be temporarily installed at the top of the demising wall assembly.

[0054] The preassembly demising wall assembly 100 may then be transported to the jobsite where it will be installed. Prior to permanent installation of the demising wall assembly 100, the finish panels 185, conduit 265, insulation 190, air duct 450, and compensating track 410 may be removed. The removal of these components increases the ease of the installation of the demising wall assembly 100, since the elements were may not be permanently attached to the demising wall assembly 100 and may shift and become damaged or damage other items during the pick and installation of the demising wall assembly 100.

[0055] Prior to installation of the demising wall assembly 100, the angle brackets 305 may be permanently attached to the floor 115. Additionally, the compensating track 410 may be attached to the ceiling 120, or it may be attached to a metal strap 420 which is then permanently attached to the ceiling 120. The installation of the angle brackets and the compensating track allows a footprint to be created that the demising wall assembly 100 may be slid in between. This eliminates error during installation since the footprint of the wall is correctly established prior to the installation of the wall. In an alternate embodiment, the angle brackets 305 may be connected to the demising wall prior to the wall being installed within the building.

[0056] The demising wall assembly 100, consisting of the two substrate panels 105, 110 connected by the plurality of metal studs 175 with attached hanger elements 200 may then be slid into place, wherein the bottom edge of the demising wall assembly 100 slides against the floor 115. When installed, the proper alignment and location of an embodiment of the demising wall assembly 100 is determined by the preinstalled angle brackets 305 and compensation track 410. The exterior surfaces 145, 165 may contact the inner surfaces of the angle brackets 305. Fasteners 183 may then be used to permanently attach the demising wall assembly 100 to the angle brackets 305. In an alternate embodiment where the angle brackets 305 are installed prior to the demising wall assembly 100 being slid into place, the compensating track 410 provides alignment of the demising wall assembly 100 during installation.

[0057] On the upper portion of the demising wall assembly 100, the interior surfaces 135, 155 may contact the at least one downwardly extending flange 411. The demising wall assembly 100 is not permanently connected to the ceiling 120, as the permanent connection may allow for the demising wall assembly to be potentially damaged when the floor or ceiling vertically shifts. The embodiment of the demising wall assembly 100 allows for the demising wall to shift with the expansion and contraction of the floor 115 and ceiling 120, such that the top edge of the demising wall assembly 100 is never in contact with the ceiling 120.

[0058] Once the demising wall assembly 100 is installed, the fire suppression pipeline 141 may be connected to the building's fire suppression system. The appropriate electrical wire may then be added to the conduit 265, which may then be

connected to a conduit engagement feature 260. In an alternate embodiment, the appropriate electrical wire may be added to the conduit prior to transportation of the demising wall to the job site. In either embodiment, the wire may then be connected to the electrical system of the building. The air duct 450 may be connected to the demising wall assembly and then be connected to the ventilation system of the building. Sound insulation 190 may then be installed to abut the exterior surfaces 145, 165. Once the internal demising wall components are connected to the demising wall assembly 100, the finish panels 185 may be connected to the hanger element 200.

[0059] In addition to the efficiencies gained by preassembling components offsite, the current embodiment's feature of having the conduit 265 installed on the exterior of the substrate panels 105, 110 comprises an improvement over the current art. As previously known in the art, when conduit is installed in between the substrate panels, the personnel installing the conduit and related equipment have a very small footprint to work with, and sometimes the installation of equipment may damage the substrate panels such that an acoustical envelope created between the substrate panels is broken and cannot be patched. As disclosed in an embodiment herein, when the conduit 265 is located behind only the finish panels 185, any type of maintenance involving the conduit or its contents may be done with less time and may be easier to accomplish as the interstitial space 130 between the substrate panels 105, 110 does not need to be breached to complete the maintenance.

[0060] In an alternate embodiment, the demising wall assembly 100 may have a plurality of vertical rods that may be joined to a vertical rod retaining feature of the plurality of hanger elements 200. The plurality of vertical rods may be placed such that the exterior vertical surfaces of the rods contact the vertical edges 185b and 185c of the finish panel 185. The plurality of vertical rods may have a consumer attachment feature that enables a consumer to removably attach items, (e.g. bookshelves, pictures, etc.) to the vertical rod without damaging the overall demising wall assembly. This may enable a user (e.g., tenant or occupant of a unit) to customize his or her unit without permanent modification and/or damage to a wall finish or structure. This feature may allow a tenant the ability to temporarily hang items with the ability to change locations as desired.

[0061] In an alternate embodiment, the demising wall assembly 100 may also feature an aluminum composite material (ACM) panel installed between the exterior surfaces 145, 165 of the substrate panels 105, 110. In the example embodiment, an embodiment demising wall assembly 100 with an ACM panel may be positioned in a lower position. The ACM panel has an interior surface, a top horizontal edge, a bottom horizontal edge, and an exterior surface. In the lower position, the bottom horizontal edge of the ACM panel rests in the U-shaped channel 225 of the uppermost positioned plurality of hanger elements 200. The exterior surface of the ACM panel may also contact against an interior surface 227 of the U-shaped channel 225. Alternatively, the interior surface of the ACM panel may also contact against an interior surface 227 of the U-shaped channel 225. The interior width 226 of the U-shaped channel 225 is at least slightly larger than the width of the ACM panel. There is a gap between the top horizontal edge of the ACM panel and the ceiling 120. In the lower position, the top horizontal edge of the ACM panel is vertically lower than the top edge of the demising wall assembly 100. Prior to the permanent installation of the demising wall assembly 100, the ACM panel may be in this first position.

[0062] After the demising wall assembly 100 is permanently connected to the floor 115, the ACM panel may be moved into an upper position. In this upper position, the top horizontal edge of the ACM panel is flush or nearly flush with the ceiling 120 such that the bottom horizontal edge of the ACM panel no longer rests in the U-shaped channel 225 of the uppermost positioned plurality of hanger elements 200. The ACM panel in this upper position may be attached to the compensating track 410 through fasteners 183. It is feasible that in this upper position, the exterior surface of the ACM panel may still contact against an interior surface 227 of the U-shaped channel 225 or the interior surface of the ACM panel may alternatively contact against an interior surface 227 of the U-shaped channel 225. Any vertical shifting of the floor or ceiling may not damage the ACM panel as the ACM panel moves with the ceiling and there should be a sufficient gap between the bottom edge of the ACM panel and the U shaped channel 225.

[0063] The examples provided are for explanatory purposes only and should not be considered to limit the scope of the disclosure. Each example embodiment may be

practical for a particular environment such as urban mixed-use developments, low-rise residential units, and/or remote communities. Materials and dimensions for individual elements may be configured to comply with one or more of the following building codes: fire, energy, handicap, life-safety, and acoustical (impact and ambient noise transfer) without departing from the scope of the principles of the disclosure. The elements and/or system may also be configured to comply with social and/or religious codes as desired. For example, materials, systems, methods, and/or apparatuses may be configured to comply with the International Building Code as it has been adopted in a jurisdiction.

[0064] The present disclosure is not to be limited in terms of the particular embodiments described in this application, which are intended as illustrations of various aspects. Many modifications and embodiments can be made without departing from its spirit and scope, as will be apparent to those skilled in the art. Functionally equivalent methods and apparatuses within the scope of the disclosure, in addition to those enumerated herein, will be apparent to those skilled in the art from the foregoing descriptions. Such modifications and embodiments are intended to fall within the scope of the appended claims. It is to be understood that this disclosure is not limited to particular methods, reagents, compounds compositions or biological systems, which can, of course, vary. It is also to be understood that the terminology used herein is for the purpose of describing particular embodiments only, and is not intended to be limiting.

[0065] With respect to the use of substantially any plural and/or singular terms herein, those having skill in the art can translate from the plural to the singular and/or from the singular to the plural as is appropriate to the context and/or application. The various singular/plural permutations may be expressly set forth herein for sake of clarity.

[0066] It will be understood by those within the art that, in general, terms used herein, and especially in the appended claims (e.g., bodies of the appended claims) are generally intended as “open” terms (e.g., the term “including” should be interpreted as “including but not limited to,” the term “having” should be interpreted as “having at least,” the term “includes” should be interpreted as “includes but is not limited to,” etc.).

[0067] It will be further understood by those within the art that if a specific number of an introduced claim recitation is intended, such an intent will be explicitly recited in the claim, and in the absence of such recitation no such intent is present. For example, as an aid to understanding, the following appended claims may contain usage of the introductory phrases “at least one” and “one or more” to introduce claim recitations. However, the use of such phrases should not be construed to imply that the introduction of a claim recitation by the indefinite articles “a” or “an” limits any particular claim containing such introduced claim recitation to embodiments containing only one such recitation, even when the same claim includes the introductory phrases “one or more” or “at least one” and indefinite articles such as “a” or “an” (e.g., “a” and/or “an” should be interpreted to mean “at least one” or “one or more”); the same holds true for the use of definite articles used to introduce claim recitations. In addition, even if a specific number of an introduced claim recitation is explicitly recited, those skilled in the art will recognize that such recitation should be interpreted to mean at least the recited number (e.g., the bare recitation of “two recitations,” without other modifiers, means at least two recitations, or two or more recitations).

[0068] Furthermore, in those instances where a convention analogous to “at least one of A, B, and C, etc.” is used, in general such a construction is intended in the sense one having skill in the art would understand the convention (e.g., “a system having at least one of A, B, and C” would include but not be limited to systems that have A alone, B alone, C alone, A and B together, A and C together, B and C together, and/or A, B, and C together, etc.). In those instances where a convention analogous to “at least one of A, B, or C, etc.” is used, in general such a construction is intended in the sense one having skill in the art would understand the convention (e.g., “a system having at least one of A, B, or C” would include but not be limited to systems that have A alone, B alone, C alone, A and B together, A and C together, B and C together, and/or A, B, and C together, etc.). It will be further understood by those within the art that virtually any disjunctive word and/or phrase presenting two or more alternative terms, whether in the description, claims, or drawings, should be understood to contemplate the possibilities of including one of the terms, either of the terms, or both terms. For example, the phrase “A or B” will be understood to include the possibilities of “A” or “B” or “A and B.”

[0069] In addition, where features or aspects of the disclosure are described in terms of Markush groups, those skilled in the art will recognize that the disclosure is also thereby described in terms of any individual member or subgroup of members of the Markush group.

[0070] As will be understood by one skilled in the art, for any and all purposes, such as in terms of providing a written description, all ranges disclosed herein also encompass any and all possible subranges and combinations of subranges thereof. Any listed range can be easily recognized as sufficiently describing and enabling the same range being broken down into at least equal halves, thirds, quarters, fifths, tenths, etc. As a non-limiting example, each range discussed herein can be readily broken down into a lower third, middle third and upper third, etc. As will also be understood by one skilled in the art all language such as "up to," "at least," "greater than," "less than," and the like include the number recited and refer to ranges which can be subsequently broken down into subranges as discussed above. Finally, as will be understood by one skilled in the art, a range includes each individual member. Thus, for example, a group having 1-3 items refers to groups having 1, 2, or 3 items. Similarly, a group having 1-5 items refers to groups having 1, 2, 3, 4, or 5 items, and so forth.

[0071] The herein described subject matter sometimes illustrates different components contained within, or connected with, different other components. It is to be understood that such depicted architectures are merely embodiments, and that in fact many other architectures can be implemented which achieve the same functionality. In a conceptual sense, any arrangement of components to achieve the same functionality is effectively "associated" such that the desired functionality is achieved. Hence, any two components herein combined to achieve a particular functionality can be seen as "associated with" each other such that the desired functionality is achieved, irrespective of architectures or intermedial components. Likewise, any two components so associated can also be viewed as being "operably connected", or "operably coupled", to each other to achieve the desired functionality, and any two components capable of being so associated can also be viewed as being "operably couplable", to each other to achieve the desired functionality. Specific embodiments of operably couplable include but are not limited to physically mateable and/or physically interacting components

and/or wirelessly interactable and/or wirelessly interacting components and/or logically interacting and/or logically interactable components.

[0072] While various aspects and embodiments have been disclosed herein, other aspects and embodiments will be apparent to those skilled in the art. The various aspects and embodiments disclosed herein are for purposes of illustration and are not intended to be limiting, with the true scope and spirit being indicated by the following claims.

What is Claimed is:

1. A prefabricated demising wall assembly, comprising:
 - two substrate panels each with an interior and exterior surface, wherein the substrate panels are configured to span between a floor and a ceiling of a building unit;
 - a plurality of metal studs that connect the interior surfaces of the two substrate panels, wherein the plurality of metal studs define a space between the substrate panels;
 - a fire sprinkler pipeline between the two substrate panels, wherein at least some of the plurality of metal studs have an aperture that accommodates the fire sprinkler pipeline through an interior of the demising wall assembly; and
 - a plurality of hanger elements operably attached to the exterior surfaces of the two substrate panels, wherein the plurality of hanger elements are configured to connect to a plurality of removable finish panels.
2. The demising wall assembly of claim 1, further comprising a conduit exterior to the two substrate panels, wherein the conduit is received, at least partly, in a conduit engagement feature of at least one hanger element of the plurality of hanger elements.
3. The demising wall assembly of claim 2, wherein the at least one hanger element comprises an elongate member having a constant cross-section and that extends horizontally along substantially a full length of at least one of the substrate panels.
4. The demising wall assembly of claim 3, wherein the elongate member comprises a fiber reinforced plastic.
5. The demising wall assembly of claim 2, wherein the at least one hanger element comprises an extruded aluminum member.
6. The demising wall assembly of claim 1, further comprising a compensating track along a top portion of the demising wall assembly for connection of the demising wall assembly, wherein the compensating track is movably coupled to the plurality of metal studs.

23738986.1

7. The demising wall assembly of claim 6, further comprising a strap coupled to the compensating track and that extends outward from opposing sides of the compensating track, wherein a length of the strap is greater than a distance between outward most ends of the plurality of hanger elements.

8. The demising wall assembly of claim 6, wherein:
the compensating track comprises at least one downwardly extending flange with a slot; and
at least one of plurality of the metal studs is slidably connected to the least one downwardly extending flange via the slot.

9. The demising wall assembly of claim 8, further comprising:
an aluminum composite material (ACM) panel with a bottom surface, wherein:
at least one of the plurality of the hanger elements comprises an upward facing channel;
prior to the installation of the demising wall assembly, the bottom surface of the ACM panel rests in the upward facing channel of the at least one of the hanger elements; and
after the installation of the demising wall assembly, the ACM panel is attached to the compensating track and the bottom surface no longer rests in the upward facing channel.

10. The demising wall assembly of claim 2, wherein the conduit engagement feature comprises a U-shaped channel defined by an exterior surface of the at least one hanger element.

11. The demising wall assembly of claim 2, wherein the conduit engagement feature comprises a cavity defined by one or more interior surfaces of the at least one hanger element.

12. The demising wall assembly of claim 1, further comprising at least one vertical rod connected to an exterior surface of the plurality of hanger elements, wherein the vertical rod is configured to vertically separate the plurality of removable finish panels.

13. A method to assemble a prefabricated demising wall in a building, the method comprising:
placing a demising wall assembly over a first beam of a structural frame of a building, wherein the demising wall assembly includes two wall substrate panels and metal studs that connect interior surfaces of the wall substrate panels, wherein a fire suppressant pipeline is installed between the two wall substrate panels, wherein at least some of the metal studs have an aperture that accommodates the fire suppressant pipeline through an interior of the demising wall assembly, wherein the demising wall assembly further includes a plurality of hanger elements operably attached to exterior surfaces of the two wall substrate

23738986.1

panels, and wherein the plurality of hanger elements are configured to connect to a plurality of removable wall finish panels;

attaching a lower portion of the demising wall assembly to the structural frame using angle brackets attached to opposite sides of the demising wall assembly; and

connecting an upper portion of the demising wall to an upper floor and ceiling panel using a compensating track movably connected to the metal studs.

14. The method of claim 13, further comprising installing a lower floor and ceiling panel prior to placing the demising wall assembly over the first beam, wherein the installing the lower floor and ceiling panel includes attaching the lower floor and ceiling panel to the first beam using an angle iron, and wherein the attaching the lower portion of the demising wall assembly to the structural frame includes attaching the lower portion of the demising wall to the angle iron of the demising wall.

15. The method of claim 13, further comprising installing a lower floor and ceiling panel prior to placing the demising wall assembly underneath a second beam, wherein the connecting the upper portion of the demising wall to the upper floor and ceiling panel includes attaching a metal strap to the ceiling panel.

16. The method of claim 13, wherein the plurality of hanger elements have interior and exterior surfaces, wherein the interior surface of each of the plurality of hanger elements is connected to an exterior surface of one of the two wall substrate panels.

17. The method of claim 16, further comprising attaching a wall finish panel to one or more of the plurality of hanger elements such that a cavity is defined between the wall finish panel and the exterior surface of the at least one of the two wall substrate panels.

18. The method of claim 16, wherein a conduit engagement feature is integrally formed in at least one of the plurality of hanger elements.

19. The method of claim 18, further comprising installing a conduit into the conduit engagement feature.

20. The method of claim 19, wherein the conduit is routed through a cavity defined by at least one of plurality of the hanger elements prior to placing the demising wall assembly over the first beam.

23738986.1

21. The method of claim 16, further comprising installing a vertical rod with a consumer attachment feature to at least one of the plurality of hanger elements.

22. The method of claim 21, further comprising:
removing a previously installed vertical rod;
installing the demising wall assembly; and
reinstalling the removed vertical rod.

23. The method of claim 13, further comprising connecting the installed fire suppressant pipeline to a fire suppression system in the building.

24. A method to assemble a prefabricated demising wall assembly at a site distant from a building site, the method comprising:

attaching a plurality of non-combustible boards to a frame comprising a plurality of metal studs to form two wall substrate panels of a demising wall panel separated by a space therebetween, wherein each of the two wall substrate panels has an interior and exterior surface, wherein the wall substrate panels are configured to span between a floor and a ceiling of a building unit, wherein a fire sprinkler pipeline is positioned between the two wall substrate panels, and wherein at least some of the plurality of metal studs have an aperture that accommodates the fire sprinkler pipeline through the space between the wall substrate panels;

attaching interior surfaces of each of a plurality of hanger elements to the exterior surfaces of the two wall substrate panels;

installing a conduit configured to route electrical wire to or proximate to at least one of the plurality of hanger elements;

installing electrical wire into the conduit; and

removably installing a plurality of finish panels to the plurality of hanger elements.

25. The method of claim 24, wherein installing the conduit configured to route the electrical wire includes installing the conduit within a space between the wall substrate panels and the finish panels, and wherein the plurality of hanger elements have an aperture wherein the conduit is installed within.

26. The method of claim 24, wherein the plurality of hanger elements have an interior and exterior aperture, and wherein the conduit is installed within the interior aperture.

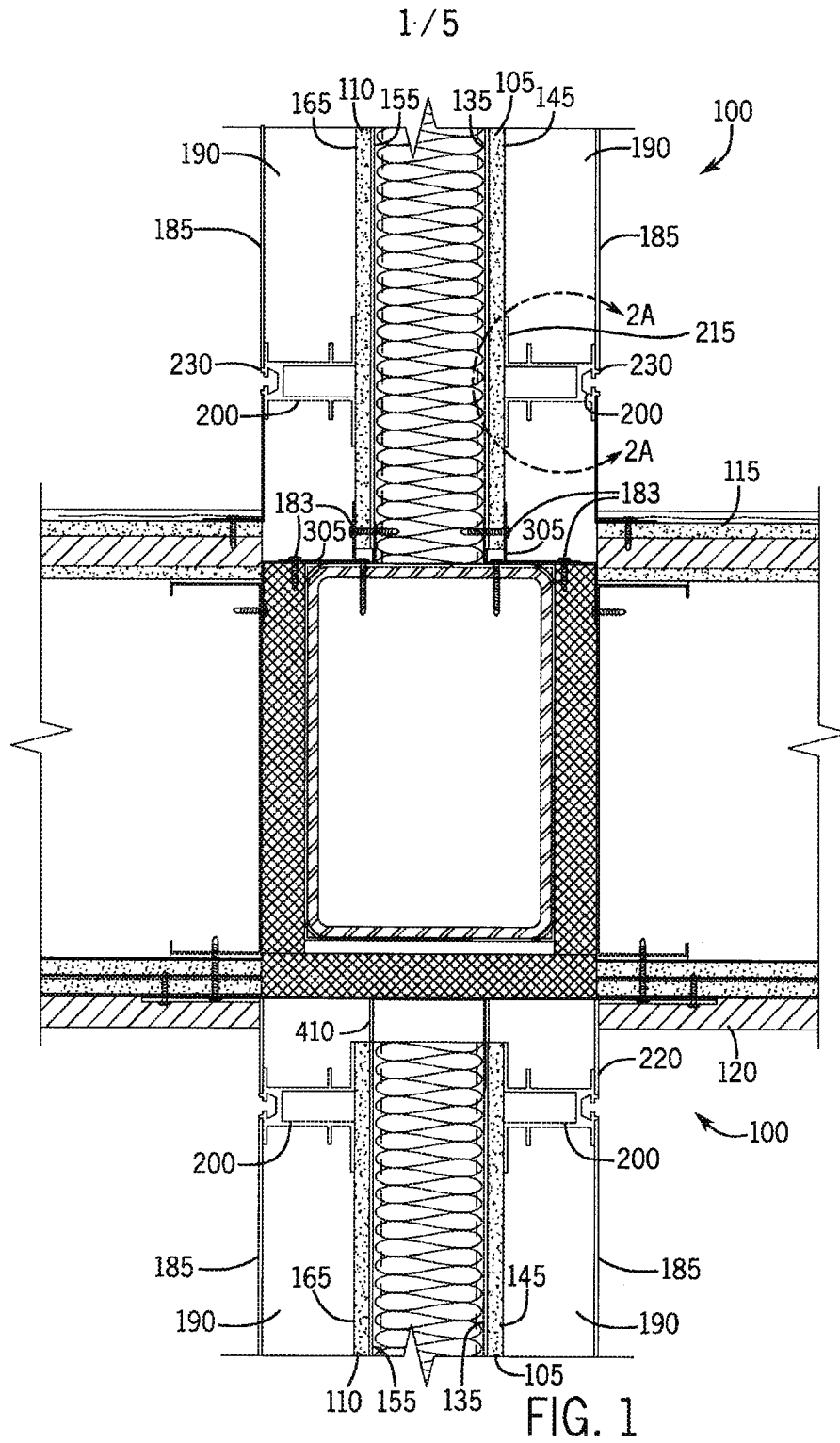
23738986.1

27. The method of claim 24, wherein the plurality of hanger elements have an interior aperture and an exterior aperture, and wherein the conduit is installed within the exterior aperture.

28. The method of claim 24, wherein the plurality of hanger elements have an interior aperture, an intermediate aperture, and an exterior aperture, wherein the conduit is installed within the intermediate aperture.

29. The method of claim 24, wherein the conduit is installed temporarily.

30. The method of claim 24, wherein each of the plurality of hanger elements further comprise a first horizontal surface and a second horizontal surface, and wherein the method further comprises:
temporarily installing sound insulation between the first horizontal surface of a first hanger element and the second horizontal surface of a second hanger element.



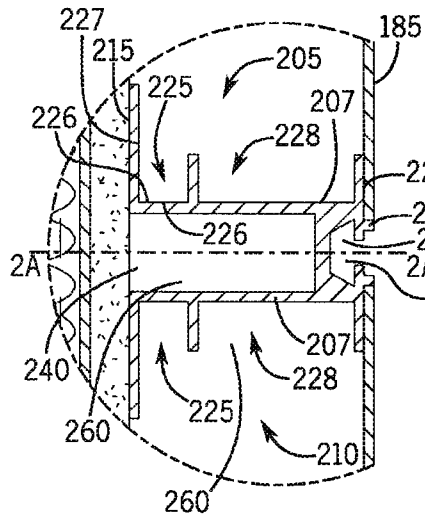


FIG. 2A

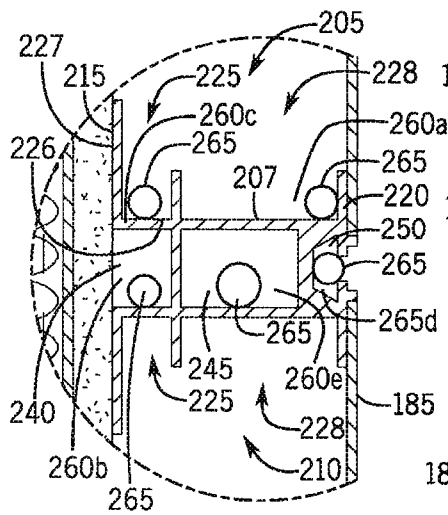


FIG. 2B

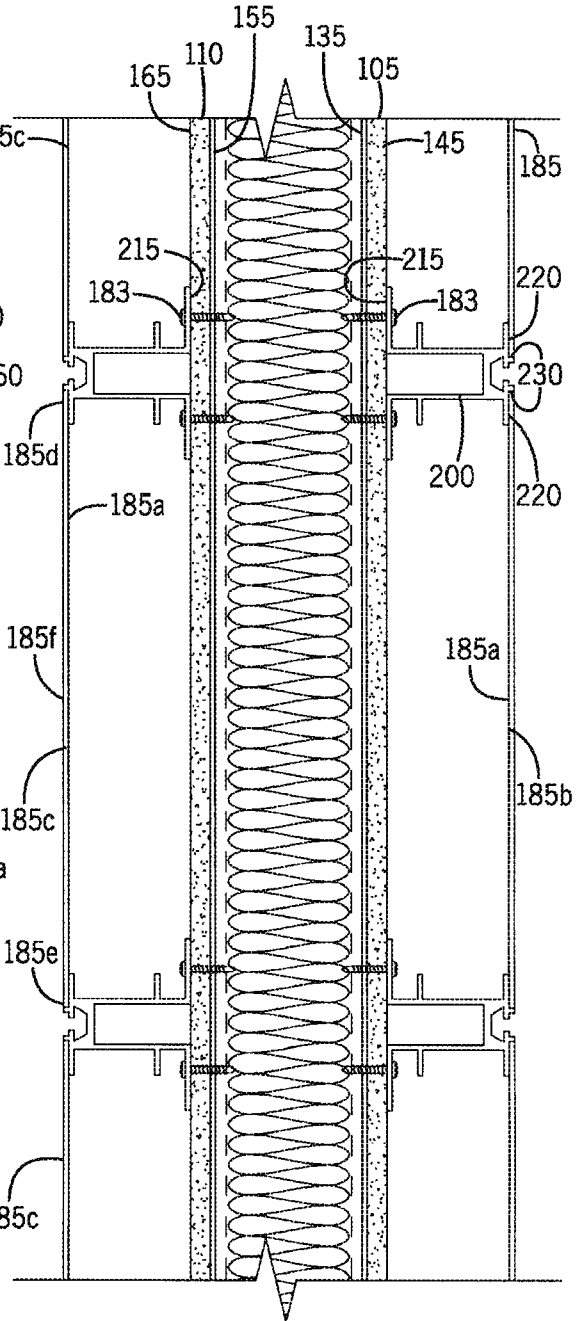


FIG. 3

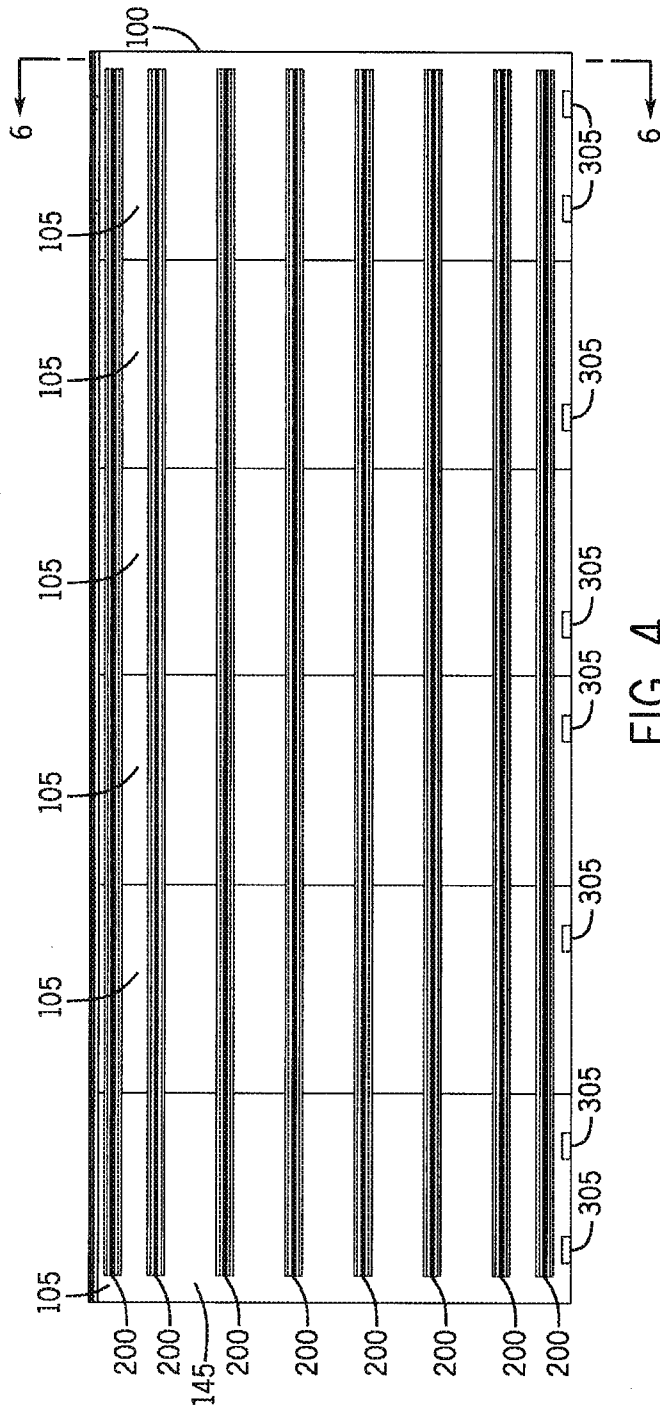


FIG. 4

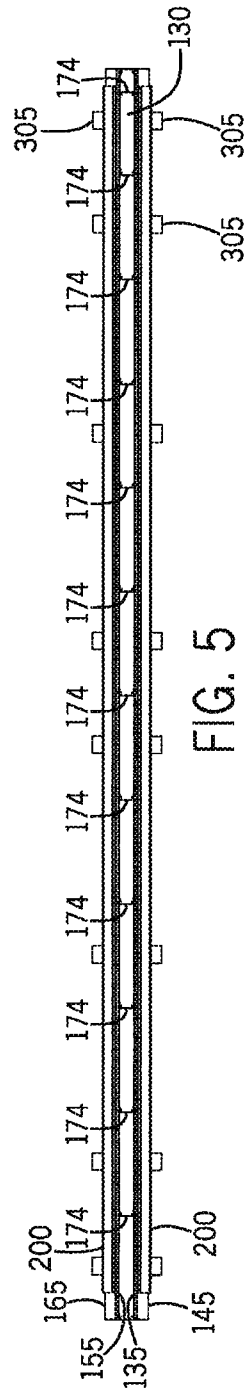


FIG. 5

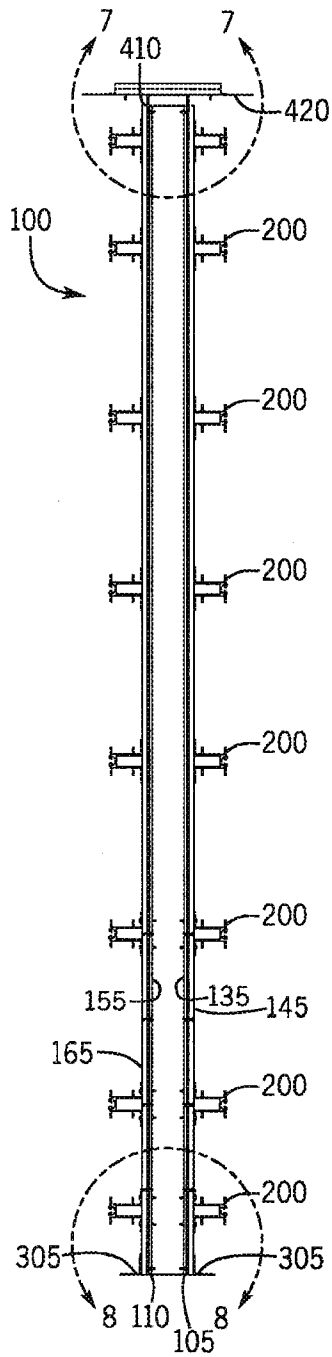


FIG. 6

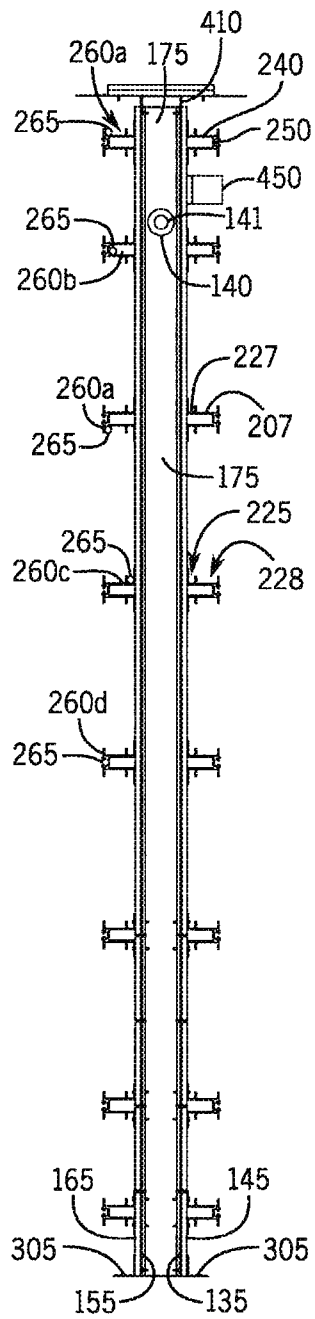


FIG. 9

5 / 5

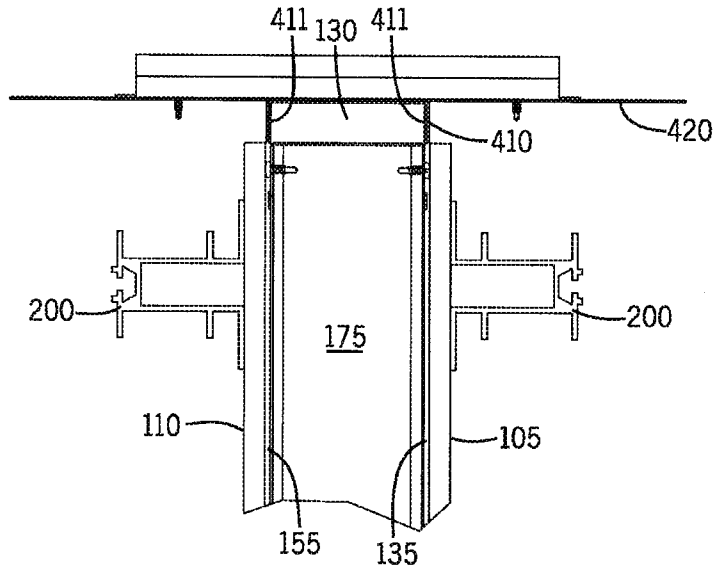


FIG. 7

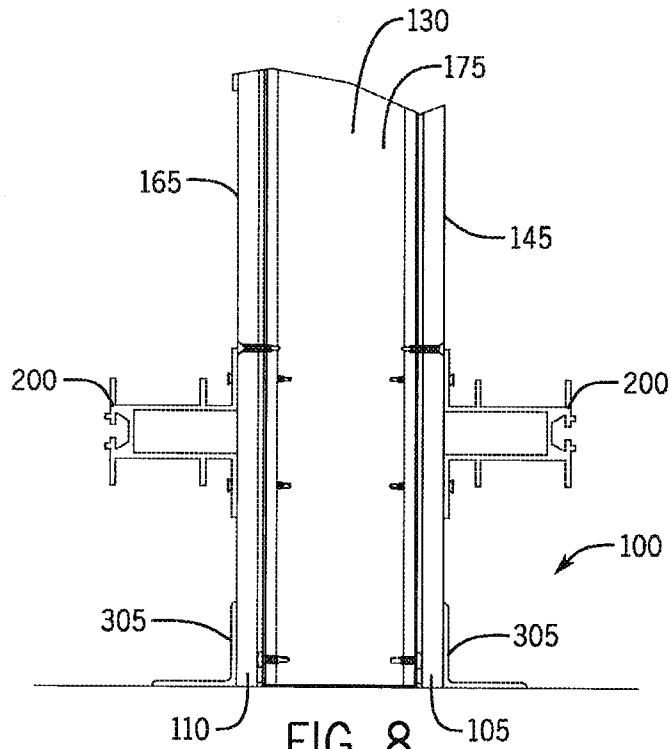


FIG. 8

