



US00D702106S

(12) **United States Design Patent**
Weinberg

(10) **Patent No.:** **US D702,106 S**

(45) **Date of Patent:** **** Apr. 8, 2014**

(54) **CORD MANAGEMENT CLIP**

(75) Inventor: **Robert Weinberg**, Spring Grove, IL
(US)

(73) Assignee: **Allegiance Corporation**, McGaw Park,
IL (US)

(**) Term: **14 Years**

(21) Appl. No.: **29/427,131**

(22) Filed: **Jul. 13, 2012**

(51) **LOC (10) Cl.** **08-05**

(52) **U.S. Cl.**
USPC **D8/356**

(58) **Field of Classification Search**
USPC 24/592.11, 599.1, 588.1, 601.5, 601,
24/599.9, 598.1, 599.6, 452, 129 R, 600.9;
D8/356, 354, 372, 367, 1, 382, 395;
63/8, 7, 12, 15, 1.14; D12/317;
D6/323; 248/301-304, 175, 63; 70/59;
402/35; 114/218, 114; 294/137, 158,
294/82.19; 410/101; 182/3; D11/210;
D9/752; D19/32; D3/207

See application file for complete search history.

(56) **References Cited**

U.S. PATENT DOCUMENTS

437,380	A	*	9/1890	Lundborg	24/600.9
2,064,133	A	*	12/1936	Von Schroeder	248/214
3,630,475	A	*	12/1971	Barry	248/215
D244,910	S	*	7/1977	Chasen et al.	D8/367
D271,466	S	*	11/1983	Boissonnet	D8/367
D292,385	S	*	10/1987	Udelhofen	D11/210
D323,104	S	*	1/1992	Russell et al.	D8/370

D425,781	S	*	5/2000	Hopper	D8/382
D466,791	S	*	12/2002	Kelleghan	D8/356
D468,997	S	*	1/2003	Chang	D8/356
D493,092	S	*	7/2004	Kalat	D8/367
7,214,171	B2	*	5/2007	Thelen et al.	482/124

(Continued)

Primary Examiner — Cynthia Underwood

(74) *Attorney, Agent, or Firm* — Arent Fox LLP

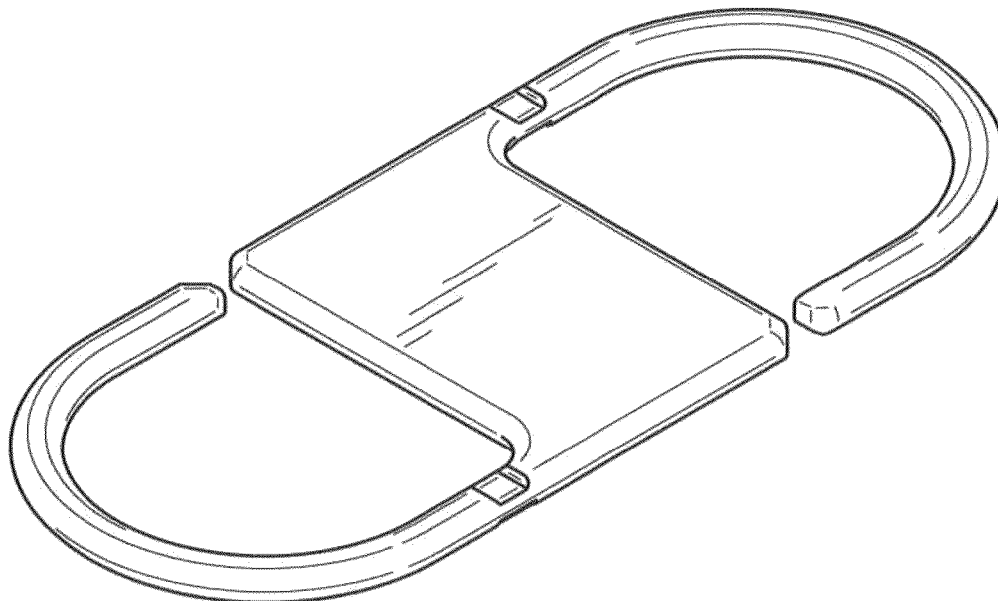
(57) **CLAIM**

The ornamental design for a cord management clip, as shown and described.

DESCRIPTION

FIG. 1 is a top perspective view of a cord management clip showing my new design, according to a first embodiment; FIG. 2 is a bottom perspective view of the design shown in FIG. 1; FIG. 3 is a front view of the design shown in FIG. 1; FIG. 4 is a back view of the design shown in FIG. 1; FIG. 5 is a left side view of the design shown in FIG. 1; FIG. 6 is a right side view of the design shown in FIG. 1; FIG. 7 is a top view of the design shown in FIG. 1; FIG. 8 is a bottom view of the design shown in FIG. 1; FIG. 9 is a top perspective view of a cord management clip showing my new design, according to a second embodiment; FIG. 10 is a bottom perspective view of the design shown in FIG. 9; FIG. 11 is a front view of the design shown in FIG. 9; FIG. 12 is a back view of the design shown in FIG. 9; FIG. 13 is a left side view of the design shown in FIG. 9; FIG. 14 is a right side view of the design shown in FIG. 9; FIG. 15 is a top view of the design shown in FIG. 9; and, FIG. 16 is a bottom view of the design shown in FIG. 9.

1 Claim, 6 Drawing Sheets



(56)

References Cited

U.S. PATENT DOCUMENTS

D577,574	S *	9/2008	Liang	D8/367				
D594,738	S *	6/2009	Kelleghan	D8/356				
D603,293	S *	11/2009	Merriam-Smith	D11/200				
D607,712	S *	1/2010	Kelleghan	D8/356				
D612,710	S *	3/2010	Kelleghan	D8/356				
D626,393	S *	11/2010	Ormsbee	D8/34				
D631,332	S *	1/2011	Bauer et al.	D8/367				
D631,333	S *	1/2011	Bauer et al.	D8/367				
D637,473	S *	5/2011	Mitchell	D8/336				
D646,556	S *	10/2011	Kelleghan	D8/356				
D669,764	S *	10/2012	Kelleghan	D8/356				
D684,845	S *	6/2013	Wood	D8/356				
D686,058	S *	7/2013	Paik et al.	D8/356				
D688,118	S *	8/2013	Hobson	D8/356				
2005/0087662	A1 *	4/2005	Jacobs	248/339				
2007/0119891	A1 *	5/2007	Lawrence	224/669				
2009/0000086	A1 *	1/2009	Bing	24/592.11				

* cited by examiner

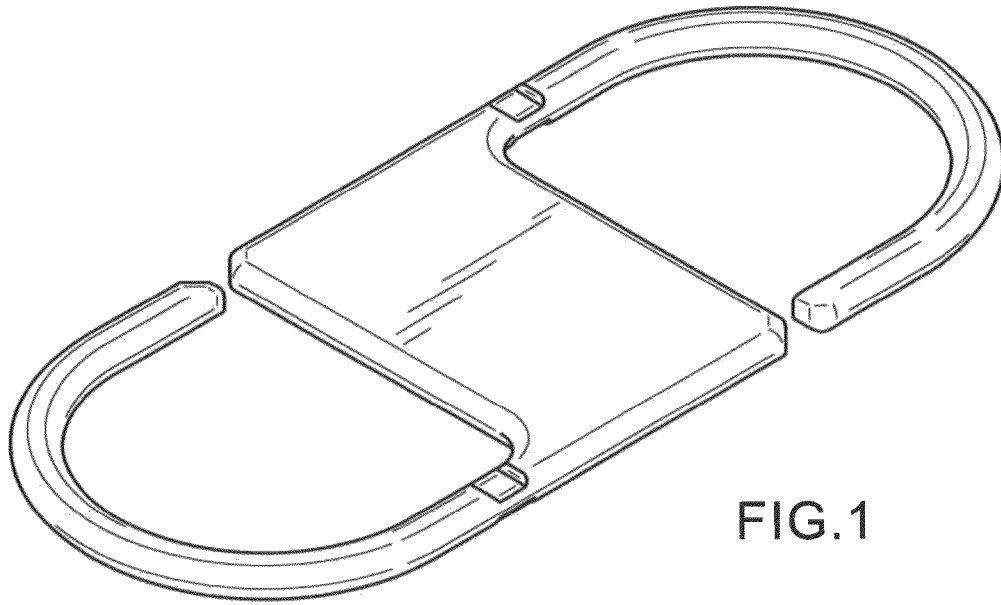


FIG. 1

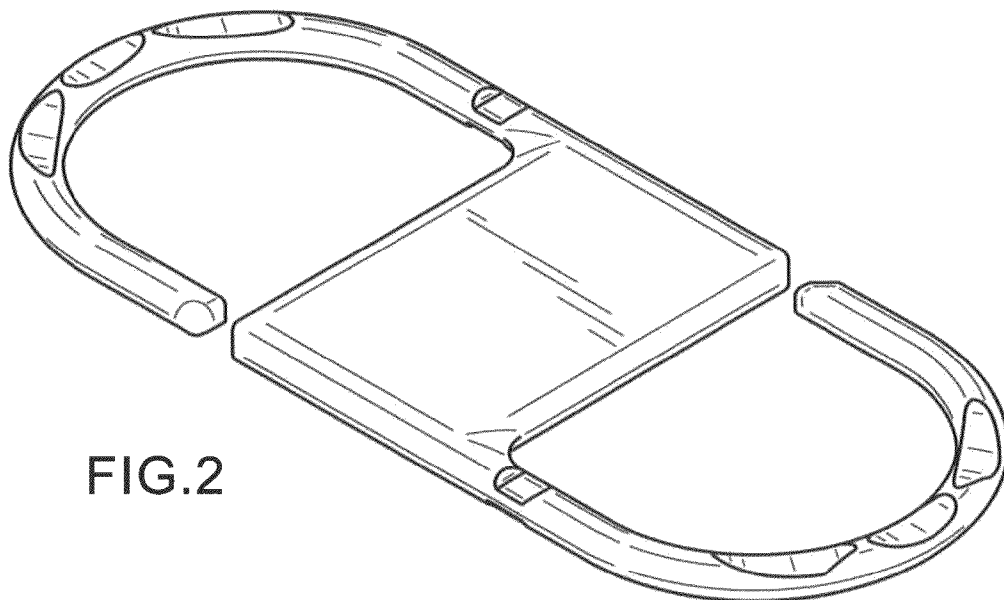


FIG. 2

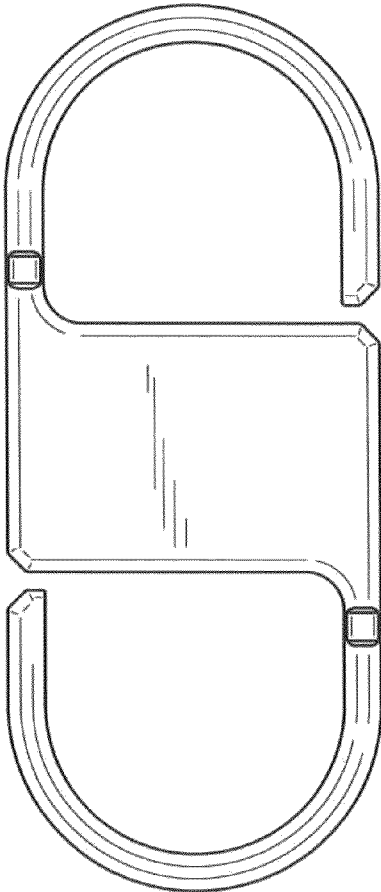


FIG.3

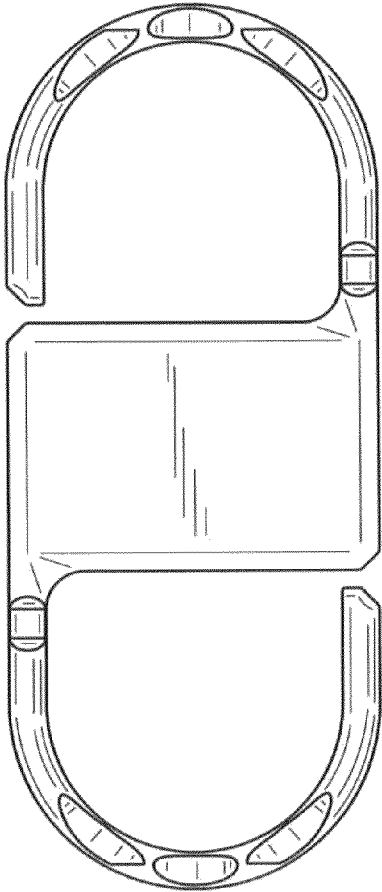


FIG.4



FIG. 5



FIG. 6



FIG. 7



FIG. 8

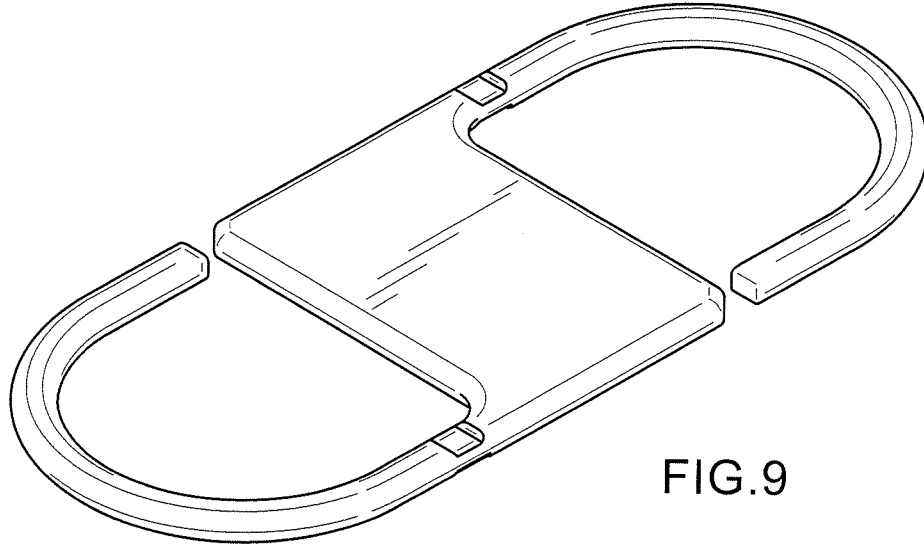


FIG. 9

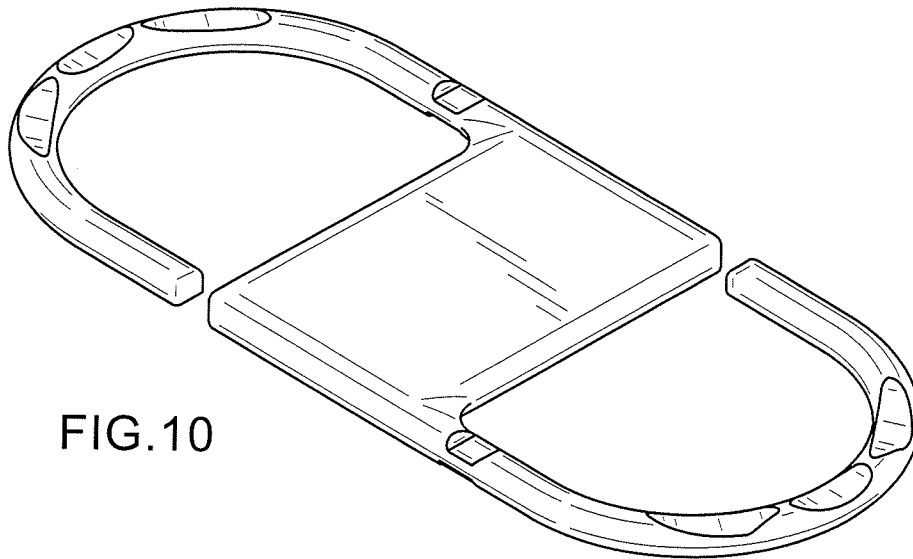


FIG. 10

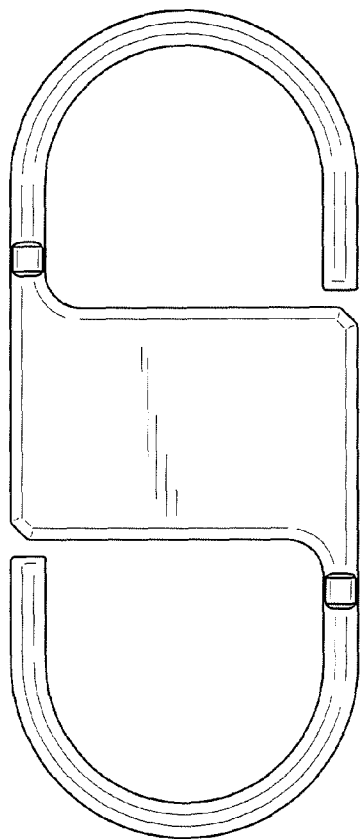


FIG. 11

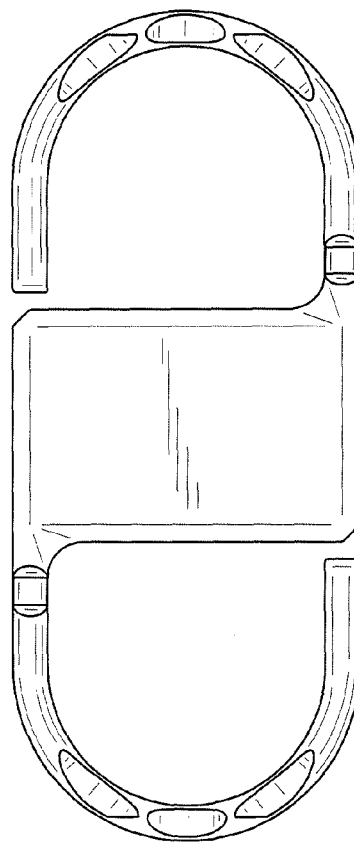


FIG. 12



FIG. 13



FIG. 14



FIG. 15

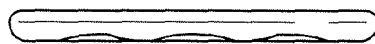


FIG. 16