



US00D776535S

(12) **United States Design Patent**
McCoy et al.

(10) **Patent No.:** **US D776,535 S**
(45) **Date of Patent:** **** Jan. 17, 2017**

(54) **BOTTLE CLOSURE**

(71) Applicant: **CVS Pharmacy, inc.**, Woonsocket, RI (US)

(72) Inventors: **Ryan P. McCoy**, Falcon Heights, MN (US); **Stacy Abel**, Maple Grove, MN (US); **Matthew P. Franks**, Austin, MN (US); **Adam D. Hoppus**, Minneapolis, MN (US); **Duane Sawyer**, York, PA (US); **Gordon Beecroft**, Leola, PA (US); **John Vassallo**, Lititz, PA (US); **Michael Makhlouf**, Lititz, PA (US)

(73) Assignee: **CVS Pharmacy, Inc.**, Woonsocket, RI (US)

(**) Term: **15 Years**

(21) Appl. No.: **29/531,278**

(22) Filed: **Jun. 24, 2015**

Related U.S. Application Data

(63) Continuation of application No. 14/524,910, filed on Oct. 27, 2014, now Pat. No. 9,085,396, which is a continuation of application No. 13/281,338, filed on Oct. 25, 2011, now Pat. No. 8,870,004.

(51) **LOC (10) Cl.** **09-07**

(52) **U.S. Cl.**
USPC **D9/453; D9/434**

(58) **Field of Classification Search**
USPC D3/202, 203.1, 203.2, 318, 273, D3/275, 294; D7/300, 300.1, 216, 317, D7/387, 391, 392.1, 393, 396.2, 509, 510, D7/511, 523, 525-531, 538, 541, 549, D7/629, 703, 900; D9/434, 435, 436, 438, D9/439, 440, 443, 446, 447, 448, 449, D9/450, 452, 453, 454, 502, 503, 504, D9/516, 517, 529; D8/349, 350, 352; D10/123, 126; D19/115, 162, 163, 165, D19/192, 194; D24/121, 127, 199, 224; D28/7, 76, 78, 82, 85, 91; D26/36,

D26/123, 124; D34/1, 7, 10, 11, 39; 215/201, 206, 209, 216, 218, 228, 252, 215/256, 270, 295, 344, 350; 220/226, 220/288, 915

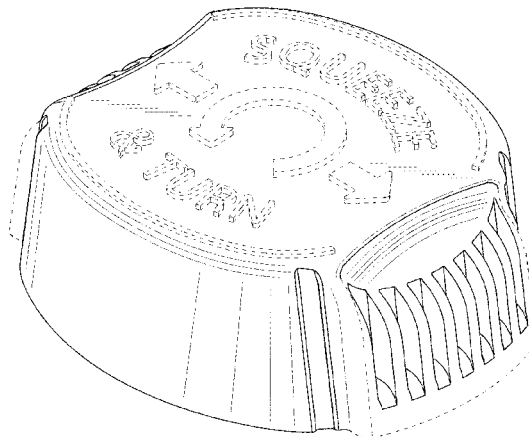
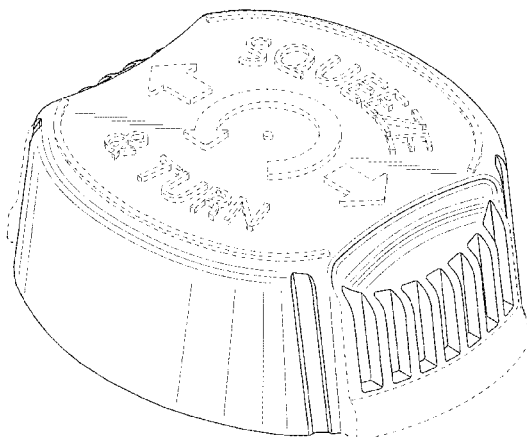
CPC B65D 50/041; B65D 23/00; B65D 1/00; B65D 1/02; B65D 1/0223; B65D 2501/00; B65D 2501/0009; B65D 83/06; A47G 18/22; A47G 18/23

See application file for complete search history.

(56) **References Cited**

U.S. PATENT DOCUMENTS

D11,149 S	4/1879	Hood
D18,997 S	4/1889	Underhill
406,017 A	6/1889	Woodward et al.
493,851 A	3/1893	Adsit
605,213 A	6/1898	Weller
624,701 A	5/1899	Stevenson
716,793 A	12/1902	Vogeler
D45,565 S	4/1914	Lloyd
1,181,098 A	4/1916	Lambert
1,289,218 A	12/1918	Maiden
1,411,510 A	4/1922	Peterson
1,499,612 A	7/1924	Hammer
1,554,191 A	9/1925	Alexander
1,653,608 A	12/1927	Allen
1,686,354 A	10/1928	Wallace
1,769,147 A	7/1930	Lennon
1,815,268 A	7/1931	Newbery
1,850,369 A	3/1932	Andrews
1,991,871 A	2/1935	Sindler
1,993,978 A	3/1935	Plochman
2,007,685 A	7/1935	Lyle
2,110,768 A	3/1938	Kellogg
D128,282 S	3/1941	Gelinas et al.
2,270,277 A	1/1942	Dowd
D132,185 S	4/1942	McIntosh
2,328,806 A	9/1943	Hooper
2,528,259 A	10/1950	Annuziata
2,659,614 A	11/1953	Cook et al.
2,794,545 A	6/1957	Olson
2,844,893 A	7/1958	Keller
2,847,971 A	8/1958	Painter
2,908,985 A	10/1959	Hartman
2,920,777 A	1/1960	Cole
2,961,108 A	11/1960	Johnson
2,995,265 A	8/1961	Soderberg
D199,766 S	12/1964	Lorenzen
3,256,978 A	6/1966	Srigley et al.



(56)

References Cited

U.S. PATENT DOCUMENTS

3,298,671	A	1/1967	Popma et al.	D319,181	S	8/1991	Balavich
3,331,521	A	7/1967	Paige	5,048,870	A	9/1991	Mangni et al.
3,423,861	A	1/1969	Forsyth	D323,780	S	2/1992	Addante
3,433,378	A	3/1969	Ross	D324,994	S	3/1992	Jentgen
3,437,194	A	4/1969	Ames et al.	5,102,169	A	4/1992	Mayfield
3,464,576	A	9/1969	Rohde	D328,010	S	7/1992	Daenen et al.
3,625,547	A	12/1971	Burke	D328,246	S	7/1992	Nottingham et al.
3,628,266	A	12/1971	Wise et al.	5,145,080	A	9/1992	Imbery, Jr.
3,757,994	A	9/1973	Skoetsch	5,165,546	A	11/1992	Jaeger et al.
D230,137	S	1/1974	Bettonica	5,172,936	A	12/1992	Sullivan et al.
3,787,993	A	1/1974	Lyon	5,178,311	A	1/1993	McBride
3,822,780	A	7/1974	Ulmer et al.	D333,618	S	3/1993	Patel et al.
3,826,222	A	7/1974	Romick	D333,882	S	3/1993	Yazaki
3,850,326	A	11/1974	Ryles	5,193,032	A	3/1993	Hirth
3,901,400	A	8/1975	Westfall	5,204,775	A	4/1993	McDevitt
3,923,180	A	12/1975	Fields	5,213,225	A	5/1993	King et al.
3,996,879	A	12/1976	Walton	5,215,334	A	6/1993	Presson et al.
4,022,352	A	5/1977	Pehr	5,261,702	A	11/1993	Mayfield
4,044,889	A	8/1977	Orentreich et al.	D342,452	S	12/1993	Monaghan
4,064,645	A	12/1977	Wood	D343,360	S	1/1994	Poo
4,099,639	A	7/1978	Boxer et al.	5,284,363	A	2/1994	Gartner et al.
RE29,793	E	10/1978	Pehr	5,301,802	A	4/1994	Nemeroff
4,143,786	A	3/1979	Goldberg et al.	5,301,840	A	4/1994	Sun
4,150,760	A	4/1979	d'Orgelys	5,309,279	A	5/1994	Halstead
4,154,355	A	5/1979	Shackelford	5,342,093	A	8/1994	Weernink
D255,054	S	5/1980	Kingsford	D350,691	S	9/1994	Simion
4,203,240	A	5/1980	Goodwin	5,343,647	A	9/1994	Bulka
4,238,033	A	12/1980	Artzt	5,346,069	A	9/1994	Intini
4,246,709	A	1/1981	Selleslags	D351,796	S	10/1994	Deddens
4,263,734	A	4/1981	Bradshaw	5,351,991	A	10/1994	McDonald
4,284,200	A	8/1981	Bush et al.	5,379,927	A	1/1995	Montenieri et al.
4,285,489	A	8/1981	Blanchard	D355,125	S	2/1995	Patel et al.
4,334,638	A	6/1982	Stock	D355,126	S	2/1995	Paulovich et al.
D266,146	S	9/1982	Morris	D355,363	S	2/1995	Iorii et al.
D269,315	S	6/1983	Conti	5,386,795	A	2/1995	Bartholomew
D270,998	S	10/1983	Stark	5,403,636	A	4/1995	Crum
4,428,384	A	1/1984	Raitto	D360,134	S	7/1995	Snyder
D274,309	S	6/1984	Aldrich, III	5,448,844	A	9/1995	Miller, Jr. et al.
4,482,068	A	11/1984	Agbay et al.	5,476,420	A	12/1995	Manning
4,535,903	A	8/1985	Franchi	5,495,944	A	3/1996	Lerner
D280,601	S	9/1985	Biesecker	D370,636	S	6/1996	Crawford
D281,228	S	11/1985	Morgan et al.	5,555,655	A	9/1996	Yager et al.
4,567,991	A	2/1986	Anderson	5,588,239	A	12/1996	Anderson
D282,909	S	3/1986	Biesecker	5,601,314	A	2/1997	Burns et al.
4,606,481	A	8/1986	Conti et al.	5,632,420	A	5/1997	Lohrman et al.
D285,535	S	9/1986	Buchholz et al.	5,642,906	A	7/1997	Foote et al.
4,640,031	A	2/1987	Hoek et al.	5,660,138	A	8/1997	Hirsch
D293,034	S	12/1987	duCret	5,662,224	A	9/1997	Nogues
4,732,411	A	3/1988	Siegel	5,662,239	A	9/1997	Heuvelman
D295,024	S	4/1988	Trick	5,687,863	A	11/1997	Kusz
D295,954	S	5/1988	Kirchhoff	5,697,173	A	12/1997	McCarrick et al.
4,753,358	A	6/1988	Virca et al.	5,699,922	A	12/1997	Harding
4,799,712	A	1/1989	Biava et al.	D389,064	S	1/1998	Sethi et al.
4,802,438	A	2/1989	DeJonge	5,704,144	A	1/1998	Groth
D300,119	S	3/1989	Pacquin	5,704,648	A	1/1998	Brown et al.
4,813,570	A	3/1989	Pontoppidan	5,711,442	A	1/1998	Kusz
4,819,351	A	4/1989	Boitani	5,713,681	A	2/1998	Venne et al.
4,827,643	A	5/1989	Hearst et al.	5,718,347	A	2/1998	Walker et al.
4,860,899	A	8/1989	McKee	5,719,828	A	2/1998	Haas et al.
4,863,026	A	9/1989	Perkowski	5,729,922	A	3/1998	Peterson et al.
4,868,027	A	9/1989	Hunkeler et al.	5,730,292	A	3/1998	Jones
4,881,648	A	11/1989	Hagerty	5,758,440	A	6/1998	Yudin
4,883,180	A	11/1989	Humphrey et al.	5,760,975	A	6/1998	DiGiovanni
D305,505	S	1/1990	Kunesh	D395,828	S	7/1998	Lecoule
4,890,742	A	1/1990	Allison	5,779,072	A	7/1998	Krebs
4,913,083	A	4/1990	Valvo et al.	5,788,974	A	8/1998	D'Amico et al.
4,918,604	A	4/1990	Baum	5,799,815	A	9/1998	Lang
4,919,285	A	4/1990	Roof et al.	5,800,144	A	9/1998	Glenn et al.
4,941,573	A	7/1990	Fuerstman	5,819,967	A	10/1998	Lo
D311,681	S	10/1990	Aggarwal	5,829,789	A	11/1998	Treleaven et al.
4,972,657	A	11/1990	McKee	5,836,465	A	11/1998	King
D312,776	S	12/1990	Taconelli	D402,550	S	12/1998	Poisson
4,991,877	A	2/1991	Lieberman	5,887,736	A	3/1999	Mar
5,011,032	A	4/1991	Rollman	5,918,758	A	7/1999	Galton-Fenzi
5,020,682	A	6/1991	Dutt	D413,067	S	8/1999	Haley
				5,980,352	A	11/1999	Rigberg
				6,003,902	A	12/1999	Petkovsek
				D419,077	S	1/2000	Sultan
				6,016,930	A	1/2000	Mathes et al.

(56)

References Cited

U.S. PATENT DOCUMENTS

6,023,865	A	2/2000	Preuss	D540,179	S	4/2007	Adler et al.	
D423,361	S	4/2000	Negre	D540,690	S	4/2007	Adler et al.	
D425,427	S	5/2000	Heeter	D541,159	S	4/2007	Robinson	
6,068,300	A	5/2000	Vijuk et al.	D542,661	S	5/2007	Adler et al.	
D427,073	S	6/2000	Gaffney et al.	7,222,736	B1	5/2007	Seijas	
6,081,392	A	6/2000	Pensmith	7,225,052	B2	5/2007	Foote et al.	
6,086,702	A	7/2000	Rea	7,225,937	B2	6/2007	Schroeder	
6,089,180	A	7/2000	Nichols, Jr.	D550,571	S	9/2007	Diaz	
6,105,801	A	8/2000	Minnette	D554,999	S	11/2007	Nukuto et al.	
D430,802	S	9/2000	Adachi et al.	D555,498	S	11/2007	Bansal	
6,127,013	A	10/2000	Todd	7,311,205	B2	12/2007	Adler et al.	
6,158,779	A	12/2000	Petrick	D559,117	S	1/2008	Nukuto et al.	
6,196,593	B1	3/2001	Petrick et al.	7,320,483	B2	1/2008	Eippert	
6,209,921	B1	4/2001	Hogan et al.	D561,034	S	2/2008	Francis	
6,220,439	B1	4/2001	Virvo	D566,330	S	4/2008	Angeletta	
6,226,564	B1	5/2001	Stuart	D572,593	S	7/2008	Adler et al.	
6,241,844	B1	6/2001	Petkovsek	D574,717	S	8/2008	Adler et al.	
D445,338	S	7/2001	Helleu	7,413,082	B2	8/2008	Adler et al.	
6,253,958	B1	7/2001	Coletti	D581,275	S	11/2008	Adler	
6,270,121	B1	8/2001	Dolan et al.	D583,242	S	12/2008	Adler et al.	
6,276,725	B1	8/2001	Laurash et al.	D590,721	S	4/2009	Martinez De San Vicente	
6,278,545	B1	8/2001	Napier	D594,336	S	6/2009	Adler	
D447,694	S	9/2001	Leggett	D597,841	S	8/2009	Adler et al.	
D451,809	S	12/2001	Jones	D602,785	S	10/2009	Rotherberg et al.	
6,360,462	B1	3/2002	Mengel	7,621,413	B2	11/2009	Miota et al.	
D456,271	S	4/2002	Maloney	7,628,427	B2	12/2009	Adler et al.	
6,366,401	B1	4/2002	Gonda et al.	D607,326	S	1/2010	Branson	D9/453
6,367,639	B1	4/2002	Mar	7,661,384	B2	2/2010	Mataya	
6,367,640	B1	4/2002	Julian	7,661,533	B2	2/2010	Adler et al.	
6,379,007	B1	4/2002	Farb	D616,303	S	5/2010	Gonzalez	D9/436
D457,063	S	5/2002	Bakic	D620,356	S	7/2010	Greenfield	D9/443
6,386,367	B1	5/2002	Bayliss, IV	D623,518	S	9/2010	Camomile	D9/454
D459,212	S	6/2002	Gobe	7,942,451	B2	5/2011	Adler	
6,402,872	B1	6/2002	Key	7,980,391	B2	7/2011	Adler et al.	
6,491,164	B1	12/2002	Virvo	8,025,314	B2	9/2011	Adler	
D470,051	S	2/2003	Bloom	8,051,999	B2	11/2011	Carmody et al.	
D470,415	S	2/2003	Weber	8,104,618	B2	1/2012	Sadler et al.	
6,549,345	B1	4/2003	Cardarelli	8,210,351	B2	7/2012	Miceli et al.	
D474,690	S	5/2003	Bakic	8,240,491	B2	8/2012	Beecroft et al.	
6,568,530	B2	5/2003	Takahashi et al.	8,281,929	B2	10/2012	Franks et al.	
6,594,928	B1	7/2003	Clawson et al.	D673,852	S	1/2013	Wood	D9/453
D480,002	S	9/2003	Canepa	D675,097	S	1/2013	Burke, Jr.	D9/436
D480,005	S	9/2003	Conway	8,371,463	B2	2/2013	Beecroft	
6,621,629	B2	9/2003	Blumenthal et al.	D679,994	S	4/2013	Dahl	D9/436
D480,960	S	10/2003	Gray et al.	D681,465	S	5/2013	Cox	D9/441
D481,165	S	10/2003	Angeletta	8,534,220	B1	9/2013	Olson	
6,669,804	B2	12/2003	Pendry et al.	D691,473	S	10/2013	Smith	D9/453
D485,764	S	1/2004	Bakic	D700,843	S	3/2014	Shaw	
6,681,945	B1	1/2004	Harrold	8,752,705	B2	6/2014	Adler et al.	
6,698,605	B2	3/2004	Clodfelter et al.	D714,146	S	9/2014	King	D9/453
6,712,398	B1	3/2004	Fox et al.	D723,919	S	3/2015	Taber	D9/438
6,722,495	B2	4/2004	Fresnel	D731,170	S	6/2015	Priebe et al.	
D489,622	S	5/2004	Weber	D755,056	S	5/2016	Terrasi	
6,745,505	B2	6/2004	Moran	2001/0017817	A1	8/2001	De La Huerga	
6,752,272	B2	6/2004	Jones et al.	2002/0020088	A1	2/2002	Kreutner	
6,789,497	B1	9/2004	Aiken	2002/0041091	A1	4/2002	Eippert	
D497,311	S	10/2004	Walsh et al.	2002/0063739	A1	5/2002	Gosden et al.	
6,854,613	B2	2/2005	Biesecker et al.	2002/0088732	A1	7/2002	Takahashi et al.	
6,860,390	B2	3/2005	Bowman	2002/0126585	A1	9/2002	Osberg et al.	
6,860,513	B2	3/2005	Kaufman	2002/0129758	A1	9/2002	Hanley et al.	
6,868,627	B2	3/2005	Elias	2002/0162261	A1	11/2002	West et al.	
6,871,752	B2	3/2005	Montgomery	2002/0171238	A1	11/2002	Kozlowski et al.	
6,923,376	B2	8/2005	Gosden et al.	2003/0025320	A1	2/2003	Shoemaker	
6,951,353	B2	10/2005	Kozlowski et al.	2003/0028392	A1	2/2003	Davies	
D511,456	S	11/2005	Forte	2003/0091687	A1	5/2003	Copelan	
6,964,345	B2	11/2005	Wetherell, Jr. et al.	2003/0127351	A1	7/2003	Takahashi et al.	
D514,942	S	2/2006	Weber	2003/0147450	A1	8/2003	Witonsky et al.	
D520,365	S	5/2006	Andoh	2003/0192211	A1	10/2003	Elias	
D522,867	S	6/2006	Bakic	2003/0193181	A1	10/2003	Hung	
7,061,831	B2	6/2006	De La Huerga	2003/0193185	A1	10/2003	Valley et al.	
D526,569	S	8/2006	Wurster et al.	2003/0205897	A1	11/2003	Kaufman	
7,128,227	B2	10/2006	Skillin et al.	2003/0214129	A1	11/2003	Adler	
D532,697	S	11/2006	Francis	2004/0045863	A1	3/2004	Rhoades	
D537,349	S	2/2007	Ball et al.	2004/0050750	A1	3/2004	Hannan et al.	
D539,651	S	4/2007	Snyder	2004/0056479	A1	3/2004	Fox et al.	
				2004/0075272	A1	4/2004	Kaufman	
				2004/0169000	A1	9/2004	Ramsey	
				2004/0193454	A1	9/2004	Foote et al.	
				2004/0232023	A1	11/2004	Bansal et al.	

(56)

References Cited

U.S. PATENT DOCUMENTS

2004/0237311	A1	12/2004	Brown et al.	
2005/0029154	A1	2/2005	Kahn et al.	
2005/0121406	A1	6/2005	Brozell et al.	
2005/0150857	A1	7/2005	Brozell et al.	
2005/0205513	A1	9/2005	Hidding	
2006/0163103	A1	7/2006	Adler et al.	
2006/0163110	A1	7/2006	Adler et al.	
2006/0163869	A1	7/2006	Adler et al.	
2006/0213860	A1*	9/2006	Robinson	B65D 50/046 215/216
2006/0273063	A1	12/2006	Borger	
2007/0029788	A1	2/2007	Adler et al.	
2007/0102316	A1	5/2007	Van Der Krogt et al.	
2008/0017602	A1	1/2008	Adler et al.	
2009/0026104	A1	1/2009	Cassidy	
2009/0050514	A1	2/2009	Devaux-Day	
2009/0090688	A1	4/2009	Fruchter	
2009/0127157	A1	5/2009	Costa et al.	
2009/0140513	A1	6/2009	Priebe et al.	
2009/0283492	A1*	11/2009	Molinaro	B65D 41/3409 215/256
2009/0301985	A1	12/2009	Priebe et al.	
2010/0038279	A1	2/2010	Estep	
2010/0051572	A1	3/2010	Beecroft et al.	
2010/0147732	A1	6/2010	Delagrance et al.	
2010/0313527	A1	12/2010	Jajoo et al.	
2010/0314351	A1	12/2010	Hoefling	
2011/0006030	A1*	1/2011	Branson	B65D 50/041 215/220
2011/0155624	A1	6/2011	Caron et al.	
2012/0017790	A1	1/2012	Adler	
2013/0097973	A1	4/2013	McCoy et al.	
2015/0014269	A1*	1/2015	Gillman	B65D 50/041 215/206
2015/0122767	A1*	5/2015	Mettu	B65D 50/041 215/220
2015/0129531	A1*	5/2015	Gatton	B65D 50/041 215/201

FOREIGN PATENT DOCUMENTS

DE	3723671	8/1988
EP	0146095 B1	6/1985
EP	0316636 A2	5/1989
EP	0609955 B1	4/1998
EP	0609954 B1	7/1998
EP	0924676 A2	6/1999
FR	2296391 A1	7/1976
GB	2006713 A	5/1979
GB	2126565 A	3/1984
JP	10297640	11/1998
WO	00/28474	5/2000
WO	00/64676	11/2000
WO	01/45028 A1	6/2001
WO	03098275 A2	11/2003
WO	2004048216 A1	6/2004

OTHER PUBLICATIONS

“Multi-Dose, Multi-Color, I.V. Bag Rings,” www.medidose.com/catalog/ivpharm/bagrings.html, publicly advertised online at least as early as Apr. 27, 2002 based on the internet archive available at www.archive.org (1 page).
 Photographs of Advil® Bottle and CR Cap, available at least one year prior to Oct. 25, 2011 (1 page).
 Office Action from Canadian Patent Application No. 2,769,779, mailed Sep. 29, 2012 (3 pages).
 Office Action from Canadian Patent Application No. 2,809,252, mailed Jul. 8, 2013 (2 pages).
 Office Action from Canadian Patent Application No. 2,76,779, mailed May 25, 2012 (2 pages).
 Office Action from Canadian Patent Application No. 2,809,252, mailed Apr. 1, 2014 (2 pages).

* cited by examiner

Primary Examiner — Thomas Johannes
 Assistant Examiner — Catherine Posthauer
 (74) Attorney, Agent, or Firm — Patent Law Works LLP

(57)

CLAIM

The ornamental design for a bottle closure, as shown and described.

DESCRIPTION

FIG. 1 is a top, front, perspective view of a bottle closure showing a first embodiment of our new design;
 FIG. 2 is a bottom, rear, perspective view thereof;
 FIG. 3 is a front view thereof;
 FIG. 4 is a rear view thereof;
 FIG. 5 is a right side view thereof;
 FIG. 6 is a left side view thereof;
 FIG. 7 is a top view thereof; and
 FIG. 8 is a bottom view thereof.
 FIG. 9 is a top, front, perspective view of a bottle closure showing a second embodiment of our new design;
 FIG. 10 is a front view thereof;
 FIG. 11 is a rear view thereof;
 FIG. 12 is a right side view thereof;
 FIG. 13 is a left side view thereof;
 FIG. 14 is a top view thereof; and,
 FIG. 15 is a bottom view thereof.
 The features shown in broken lines are portions of the bottle closure or environmental subject matter to the bottle closure forming no part of the claimed design.

1 Claim, 15 Drawing Sheets

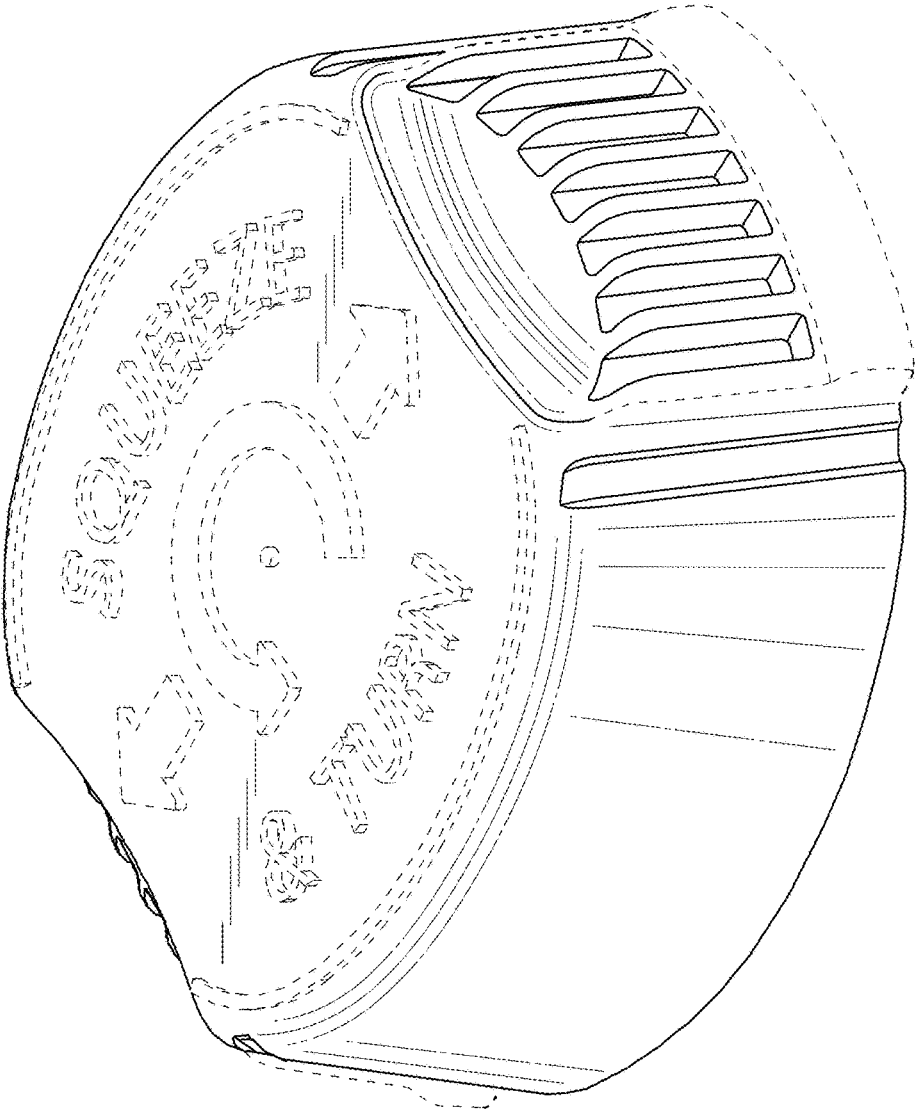


FIG. 1

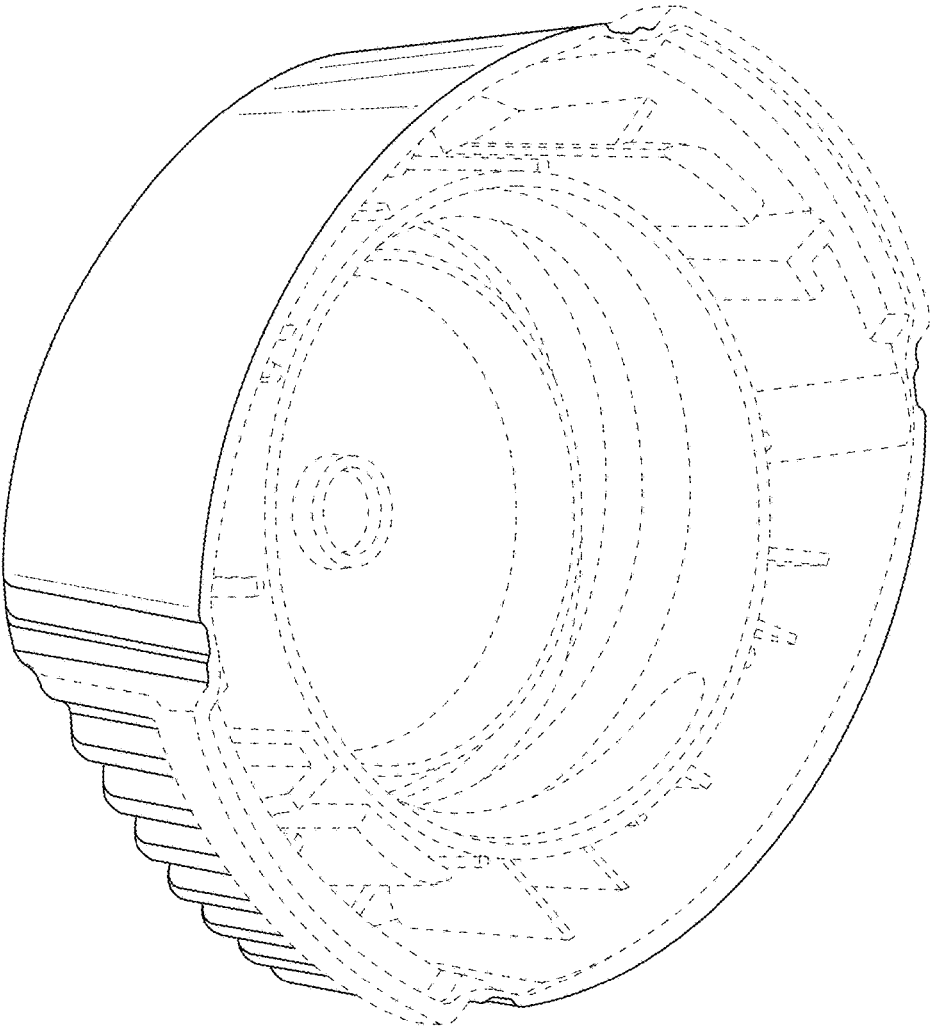


FIG. 2

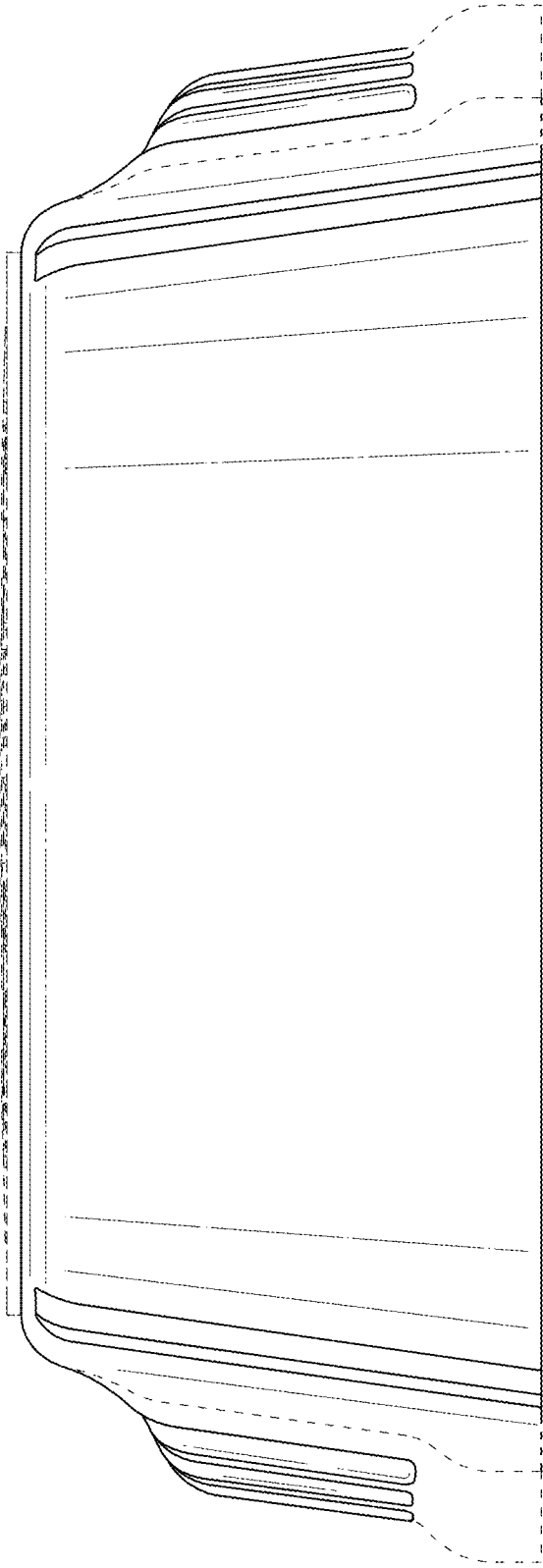


FIG. 3

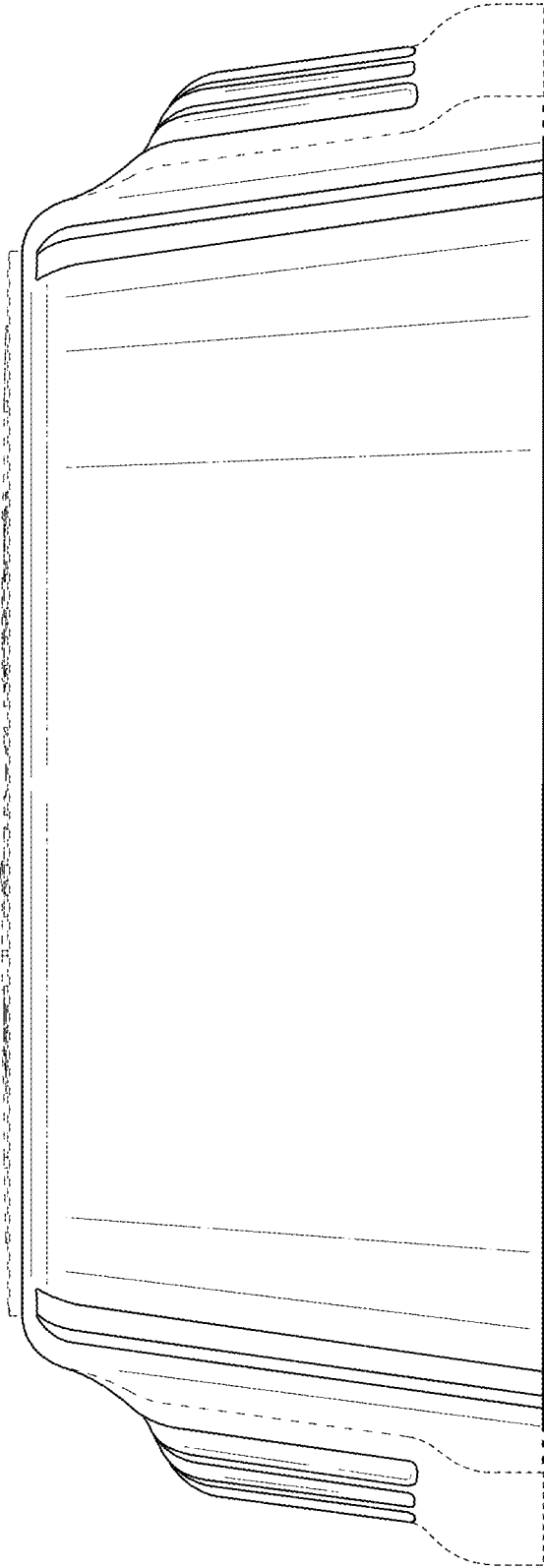


FIG. 4

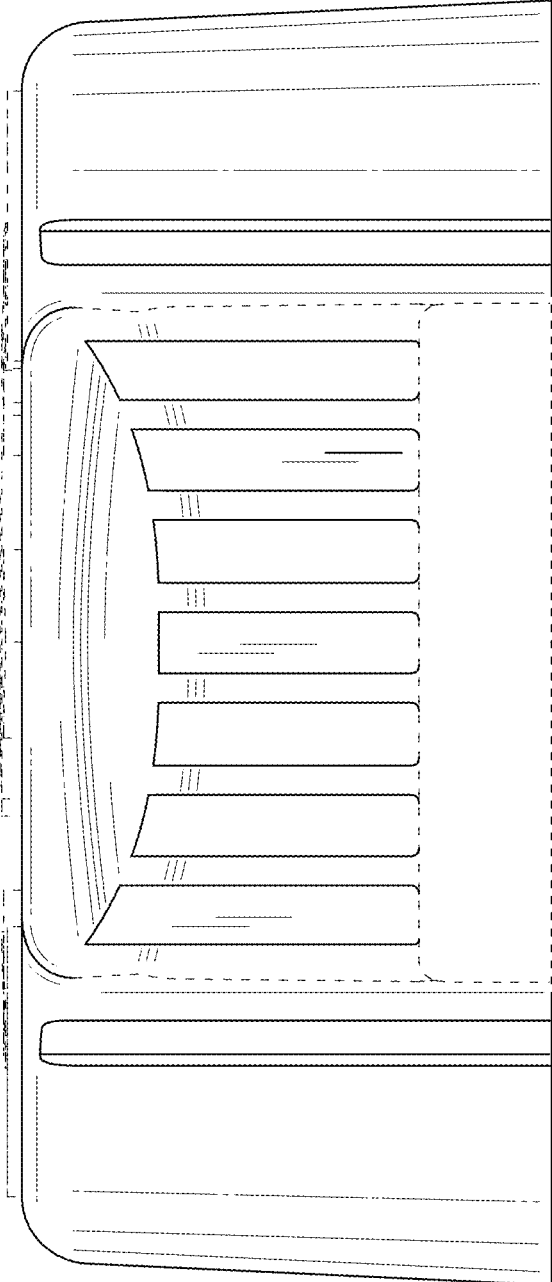


FIG. 5

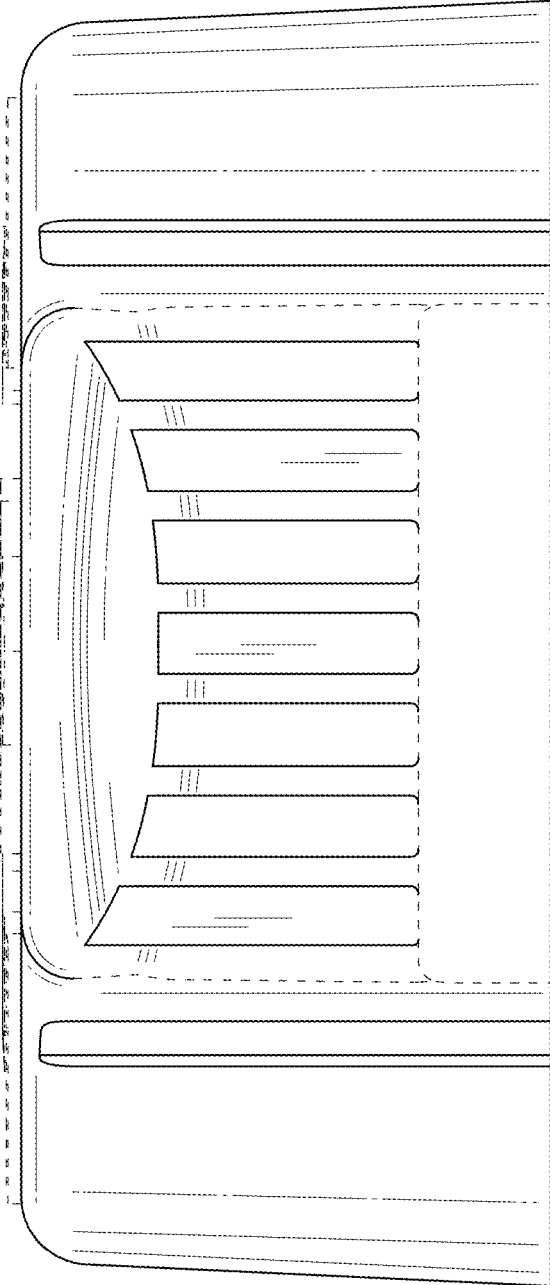


FIG. 6

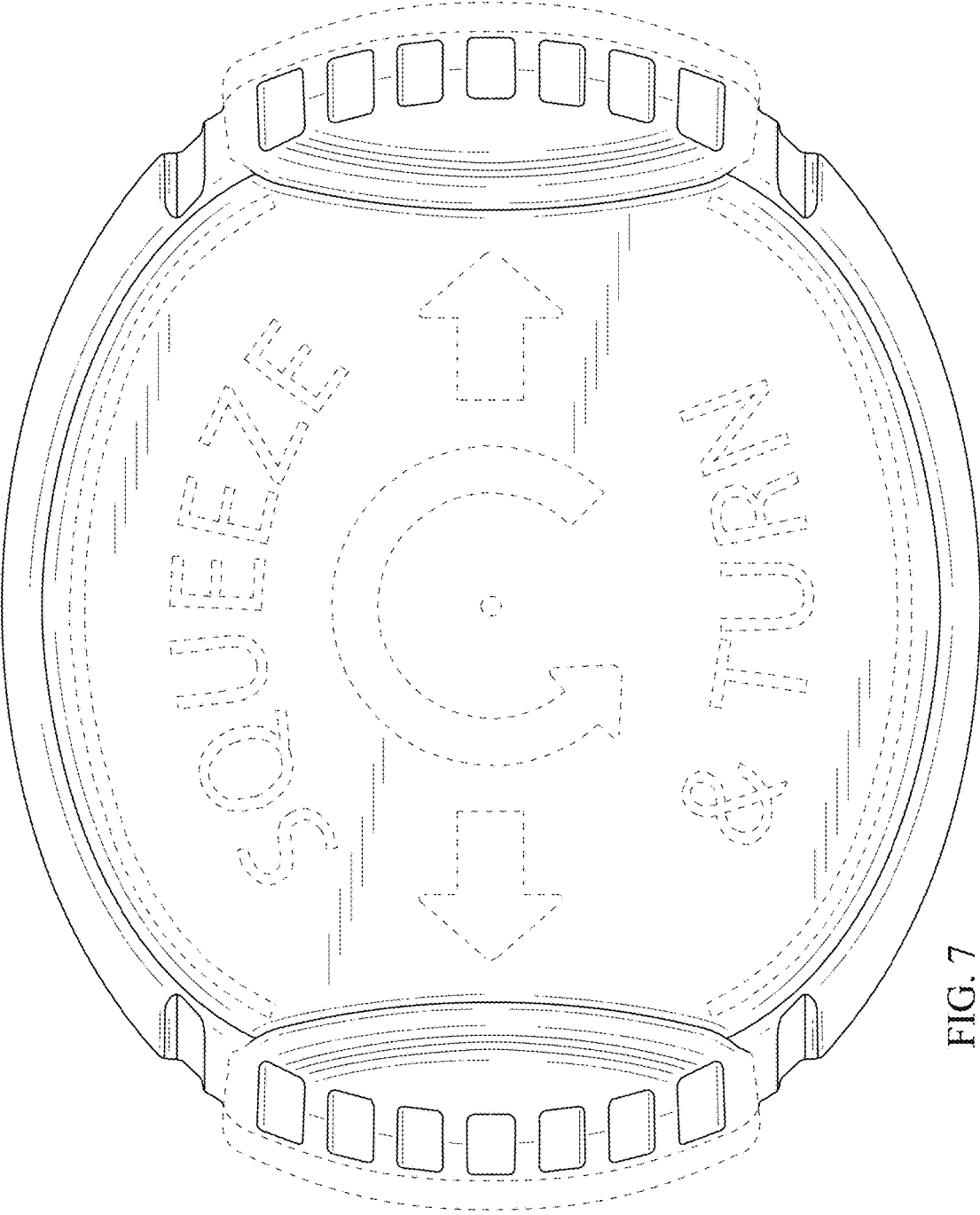


FIG. 7

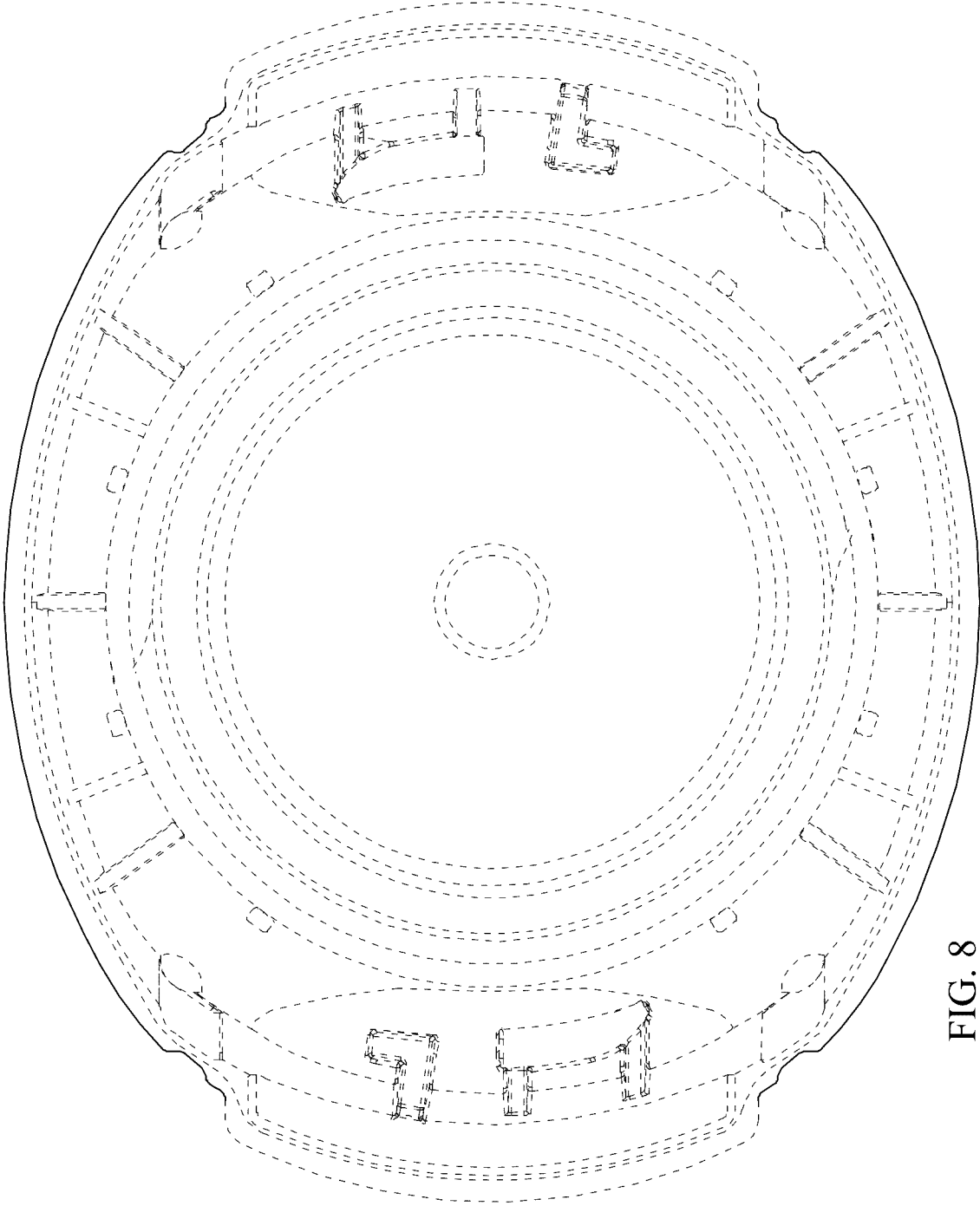


FIG. 8

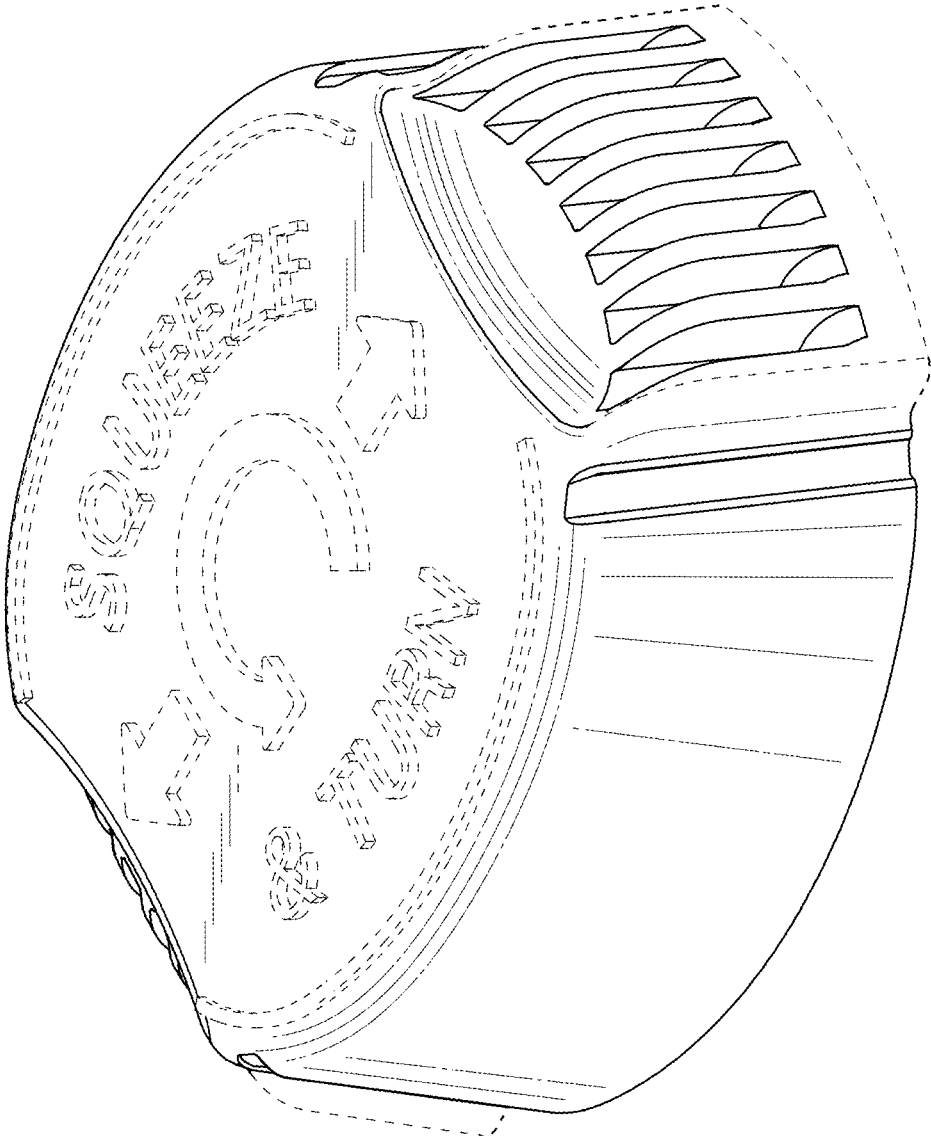


FIG. 9

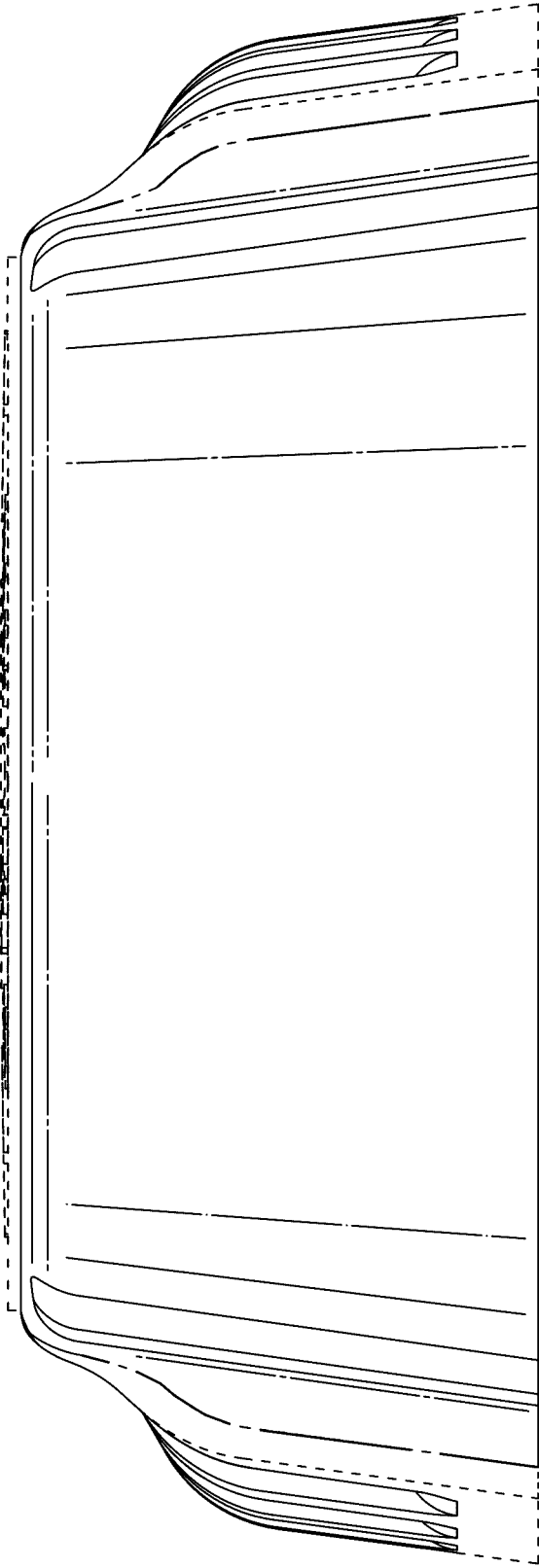


FIG. 10

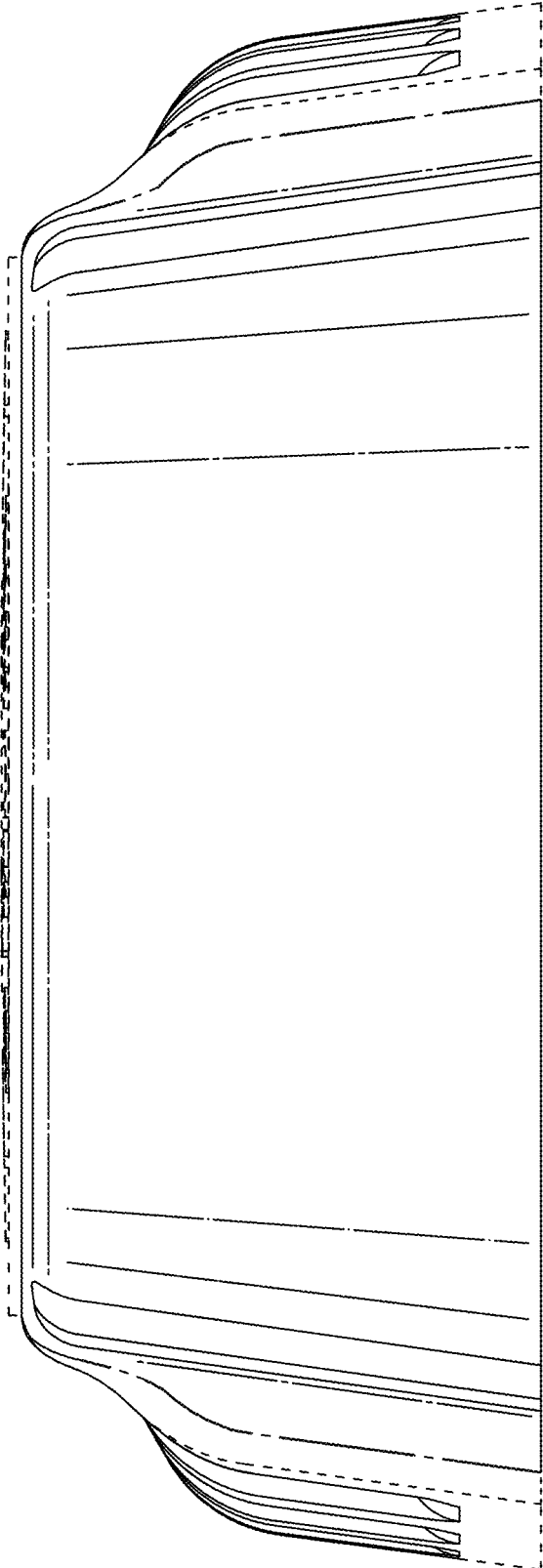


FIG. 11

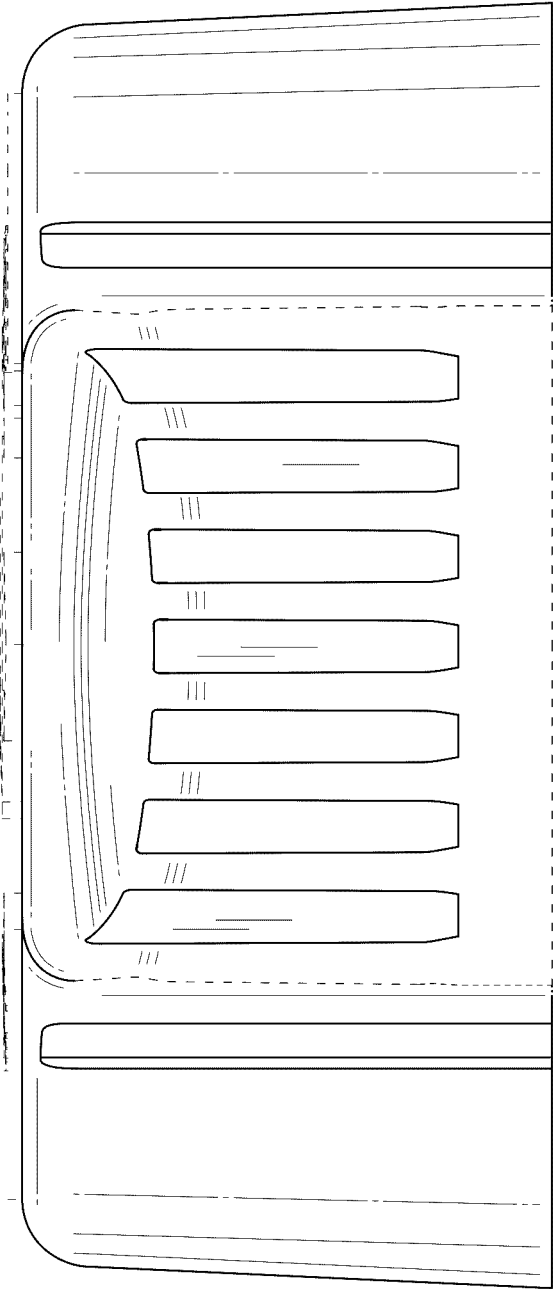


FIG. 12

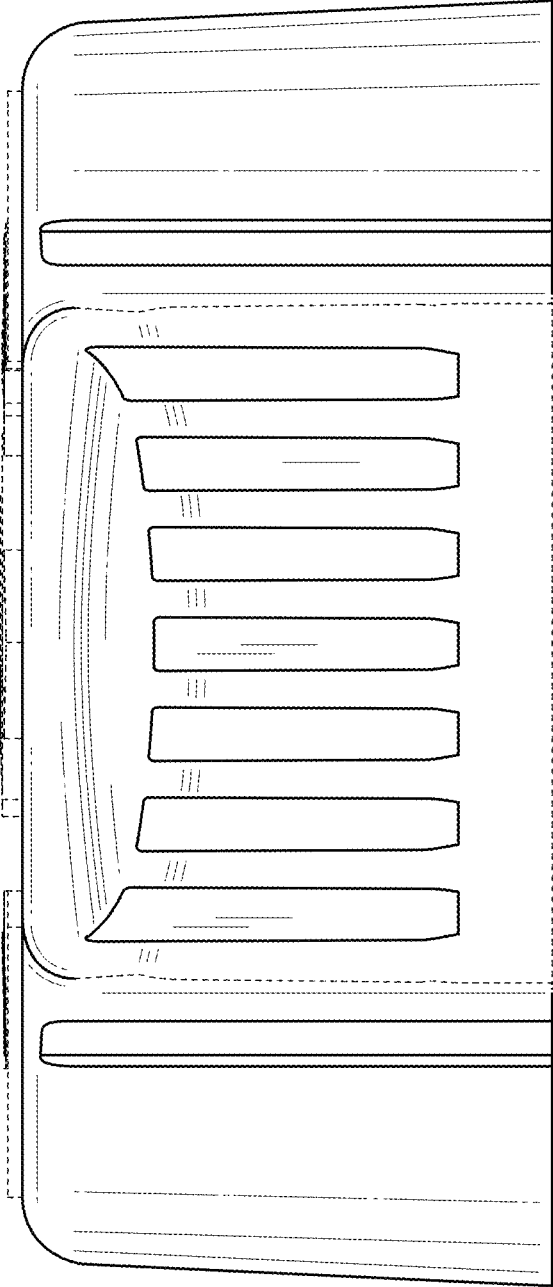


FIG. 13

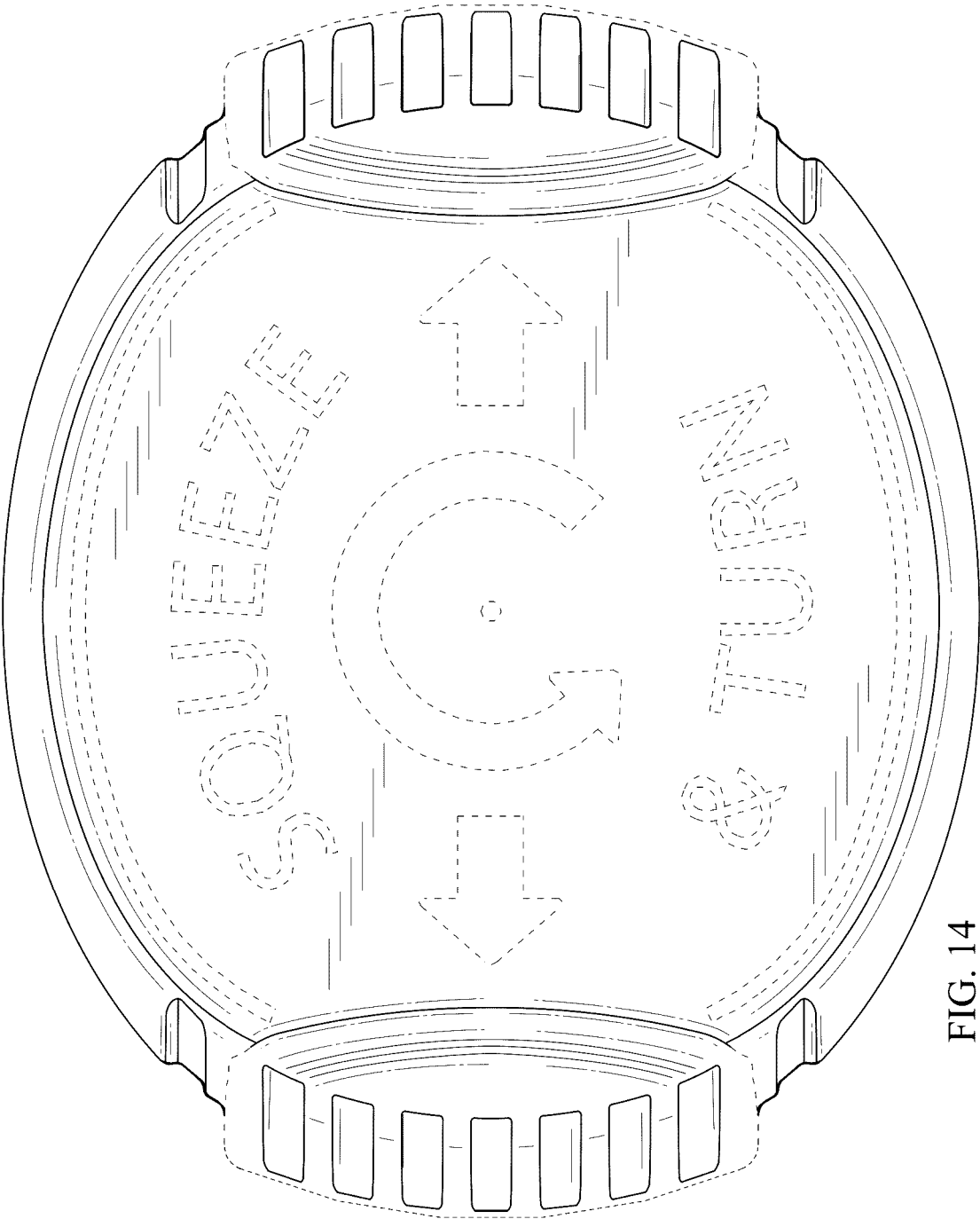


FIG. 14

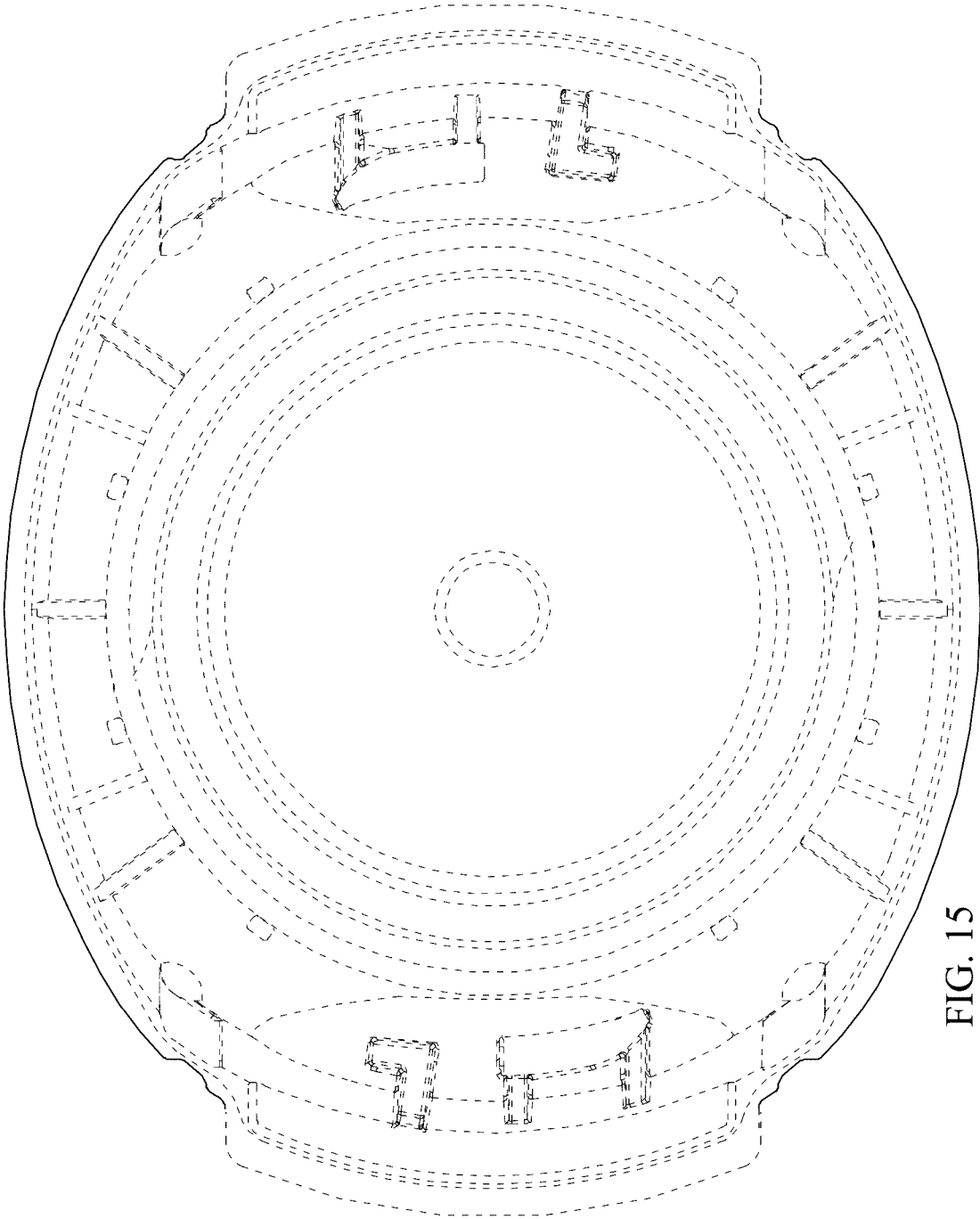


FIG. 15