



US00D981224S

(12) **United States Design Patent**
Kishimoto et al.

(10) **Patent No.:** **US D981,224 S**

(45) **Date of Patent:** **** Mar. 21, 2023**

(54) **PACKAGING CONTAINER**
(71) Applicant: **GC Corporation**, Shizuoka (JP)
(72) Inventors: **Daiki Kishimoto**, Tokyo (JP);
Kazuhiisa Kashiwabara, Tokyo (JP)
(73) Assignee: **GC Corporation**, Shizuoka (JP)
(**) Term: **15 Years**
(21) Appl. No.: **35/513,812**
(22) Filed: **Sep. 13, 2021**
(80) **Hague Agreement Data**
Int. Filing Date: **Sep. 13, 2021**
Int. Reg. No.: **DM/216510**
Int. Reg. Date: **Sep. 13, 2021**
Int. Reg. Pub. Date: **Mar. 18, 2022**

5,052,592 A * 10/1991 Wilken B65D 83/0033
222/391
5,150,804 A * 9/1992 Blanchet B65D 21/0223
206/508
D359,903 S * 7/1995 Arshinoff D9/416
D469,352 S * 1/2003 Conti D9/425
D484,045 S * 12/2003 Conti D9/503
D503,829 S * 4/2005 Tanii D28/76
D543,857 S * 6/2007 Shu D9/529
8,528,770 B2 * 9/2013 Albrecht B65D 85/78
220/366.1
D699,112 S * 2/2014 Jung D9/449
8,925,755 B2 * 1/2015 Lesquir B65D 43/0249
220/266
D803,287 S * 11/2017 Whetsel D16/135
D822,282 S * 7/2018 Montoli A45D 33/00
D9/504
D863,054 S * 10/2019 Wenck D9/420
D864,717 S * 10/2019 Kim D9/446

(Continued)

Primary Examiner — Rhea Shields
(74) *Attorney, Agent, or Firm* — IPUSA, PLLC

(57) **CLAIM**

The ornamental design for a packaging container, as shown and described.

DESCRIPTION

- 1. Packaging container
- 1.1 : Perspective
- 1.2 : Open State Perspective view
- 1.3 : Front
- 1.4 : Back
- 1.5 : Top
- 1.6 : Bottom
- 1.7 : Right Side view
- 1.8 : Sectional view along line A-A

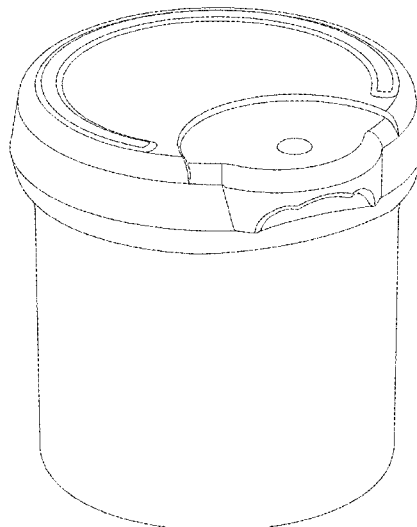
The broken lines in the drawings illustrate portions of the packaging container and form no part of the claimed design; the reproduction 1.8 is a reduced-scale cross-sectional view along the line A-A in the reproduction 1.2; the left side view is omitted because it is a mirror image of the right side view.

1 Claim, 8 Drawing Sheets

(30) **Foreign Application Priority Data**
Mar. 31, 2021 (JP) 2021-006790 D
(51) **LOC (14) Cl.** **09-03**
(52) **U.S. Cl.** **D9/416**
USPC **D9/416**
(58) **Field of Classification Search**
USPC D9/416, 446, 420, 414, 449, 504, 529,
D9/503, 425, 518; D7/392.1; D16/135;
D28/76
CPC B65D 21/0206; B65D 83/0033; B65D
21/0223; B65D 85/78; B65D 43/0249;
A45D 33/00
See application file for complete search history.

(56) **References Cited**
U.S. PATENT DOCUMENTS

D231,968 S * 7/1974 Jublin D9/504
D248,216 S * 6/1978 Allen D9/518



(56)

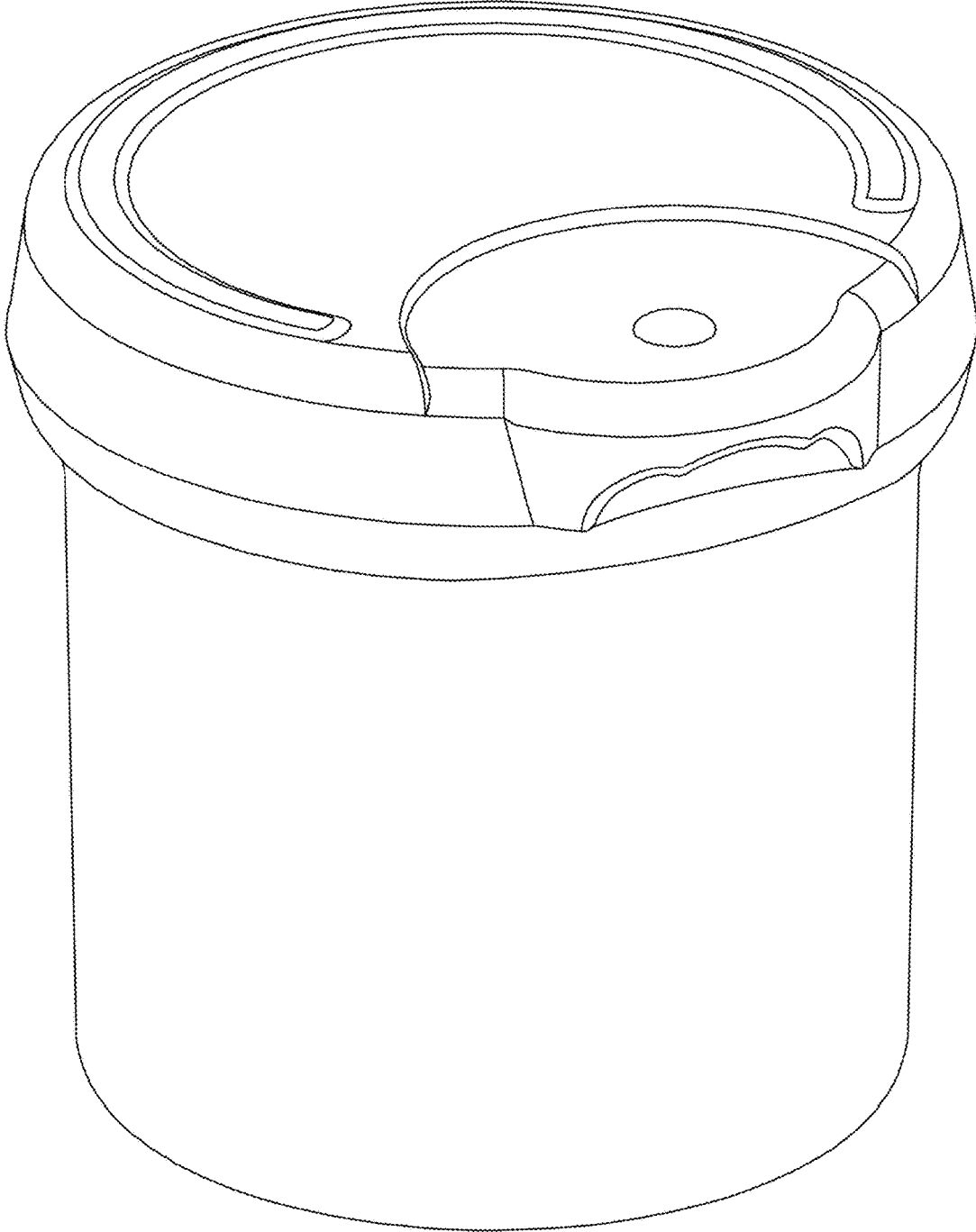
References Cited

U.S. PATENT DOCUMENTS

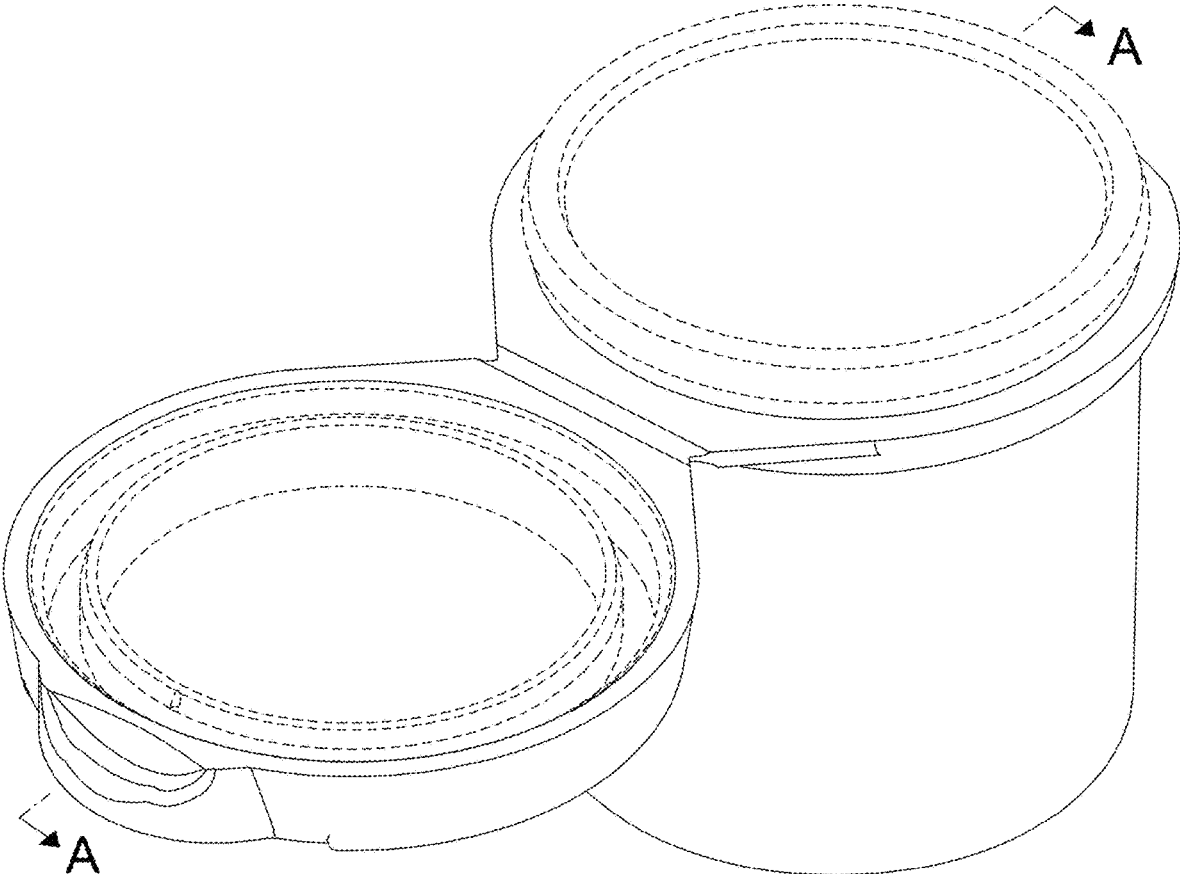
D942,805	S *	2/2022	Warden	D7/392.1
D962,049	S *	8/2022	Caicedo	D9/414
2018/0134464	A1 *	5/2018	Battaglia	B65D 21/0206

* cited by examiner

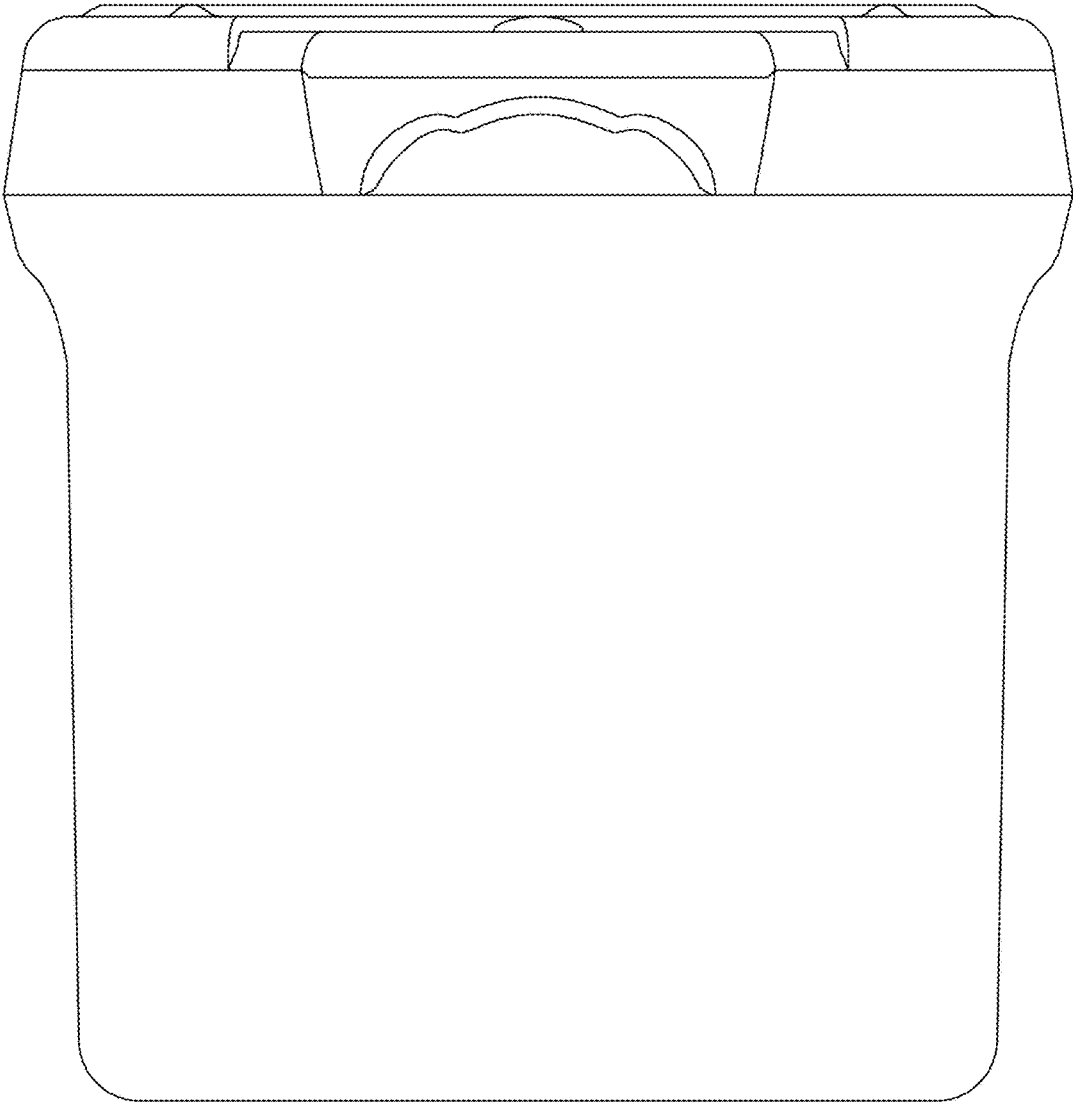
1.1



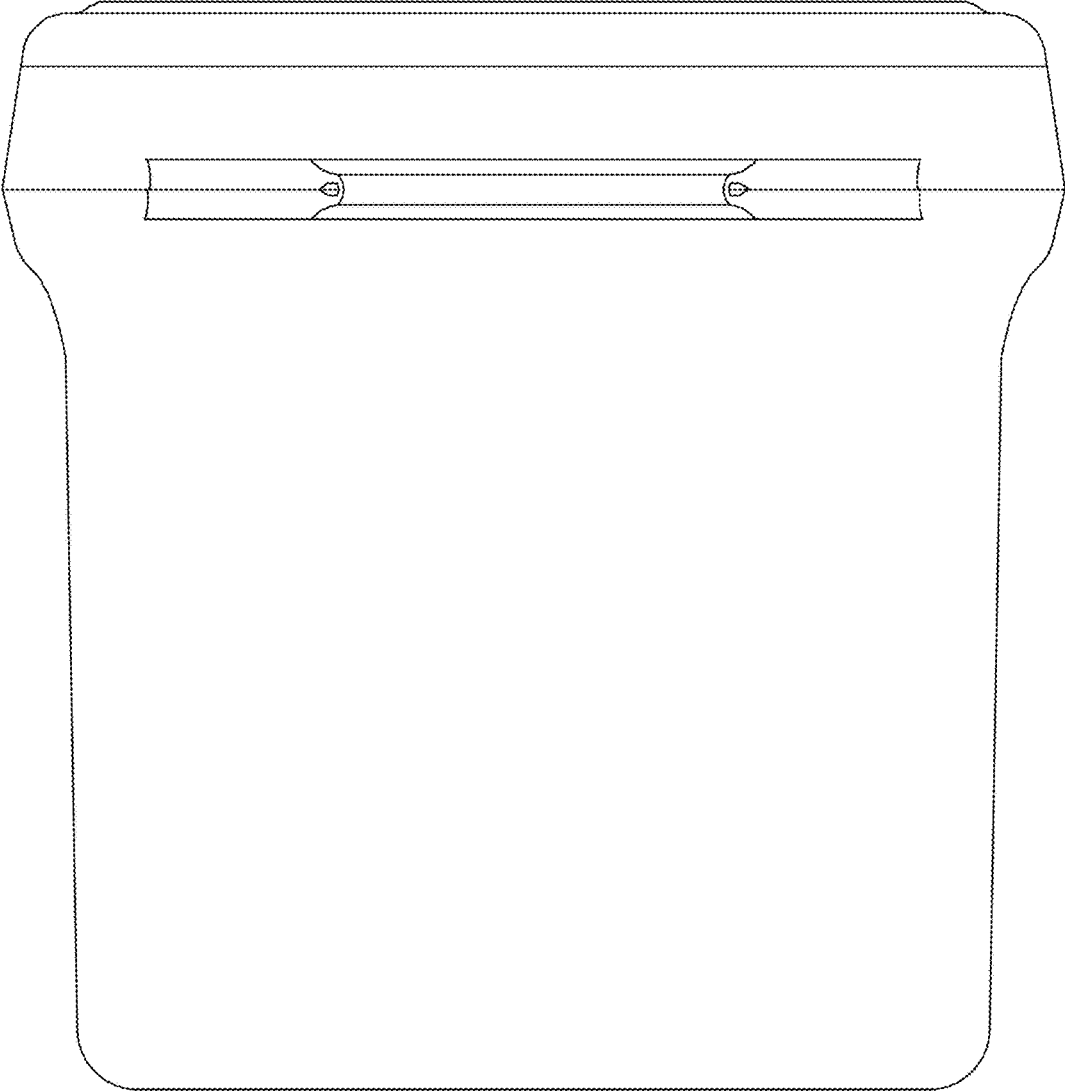
1.2



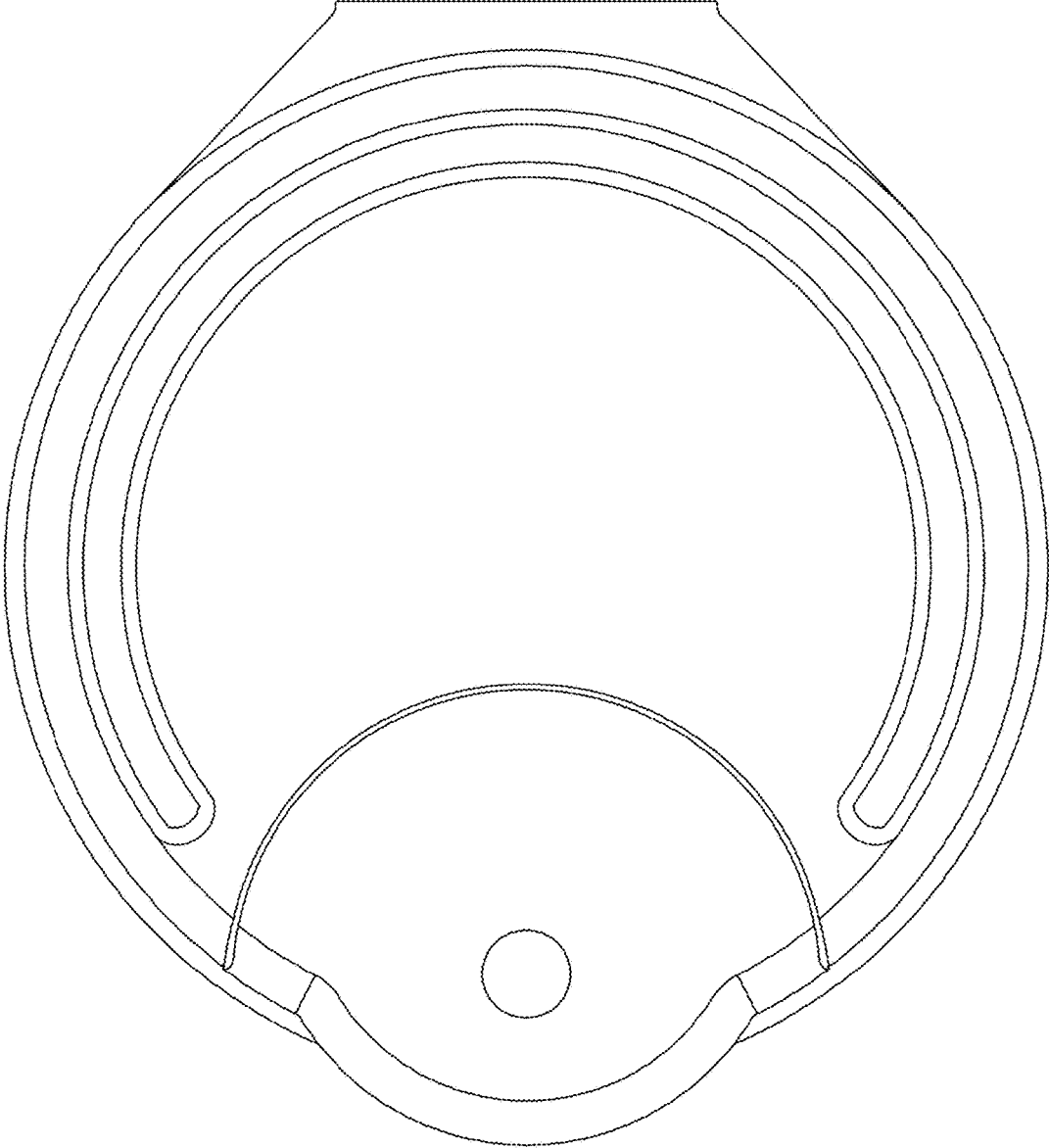
1.3



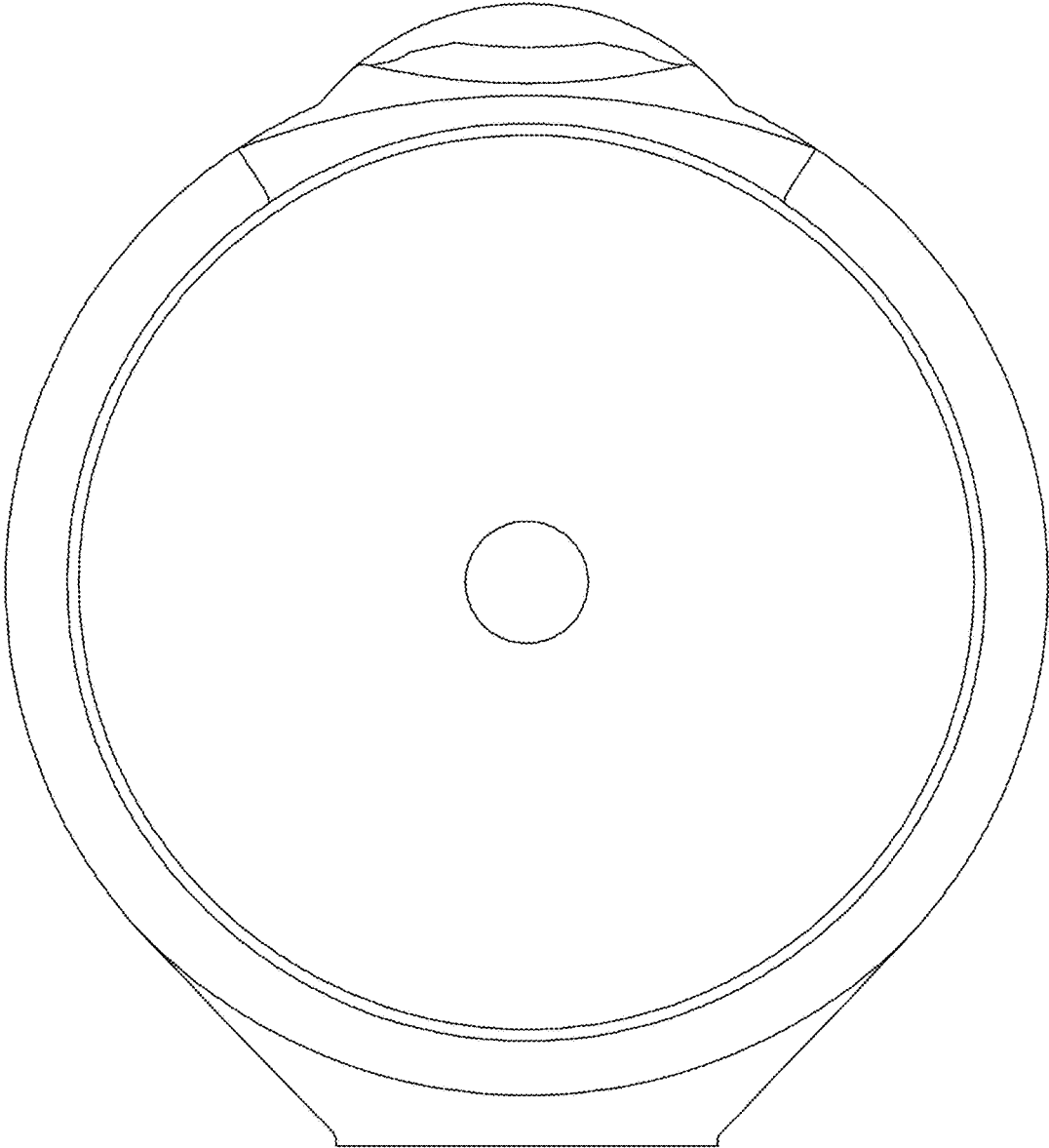
1.4



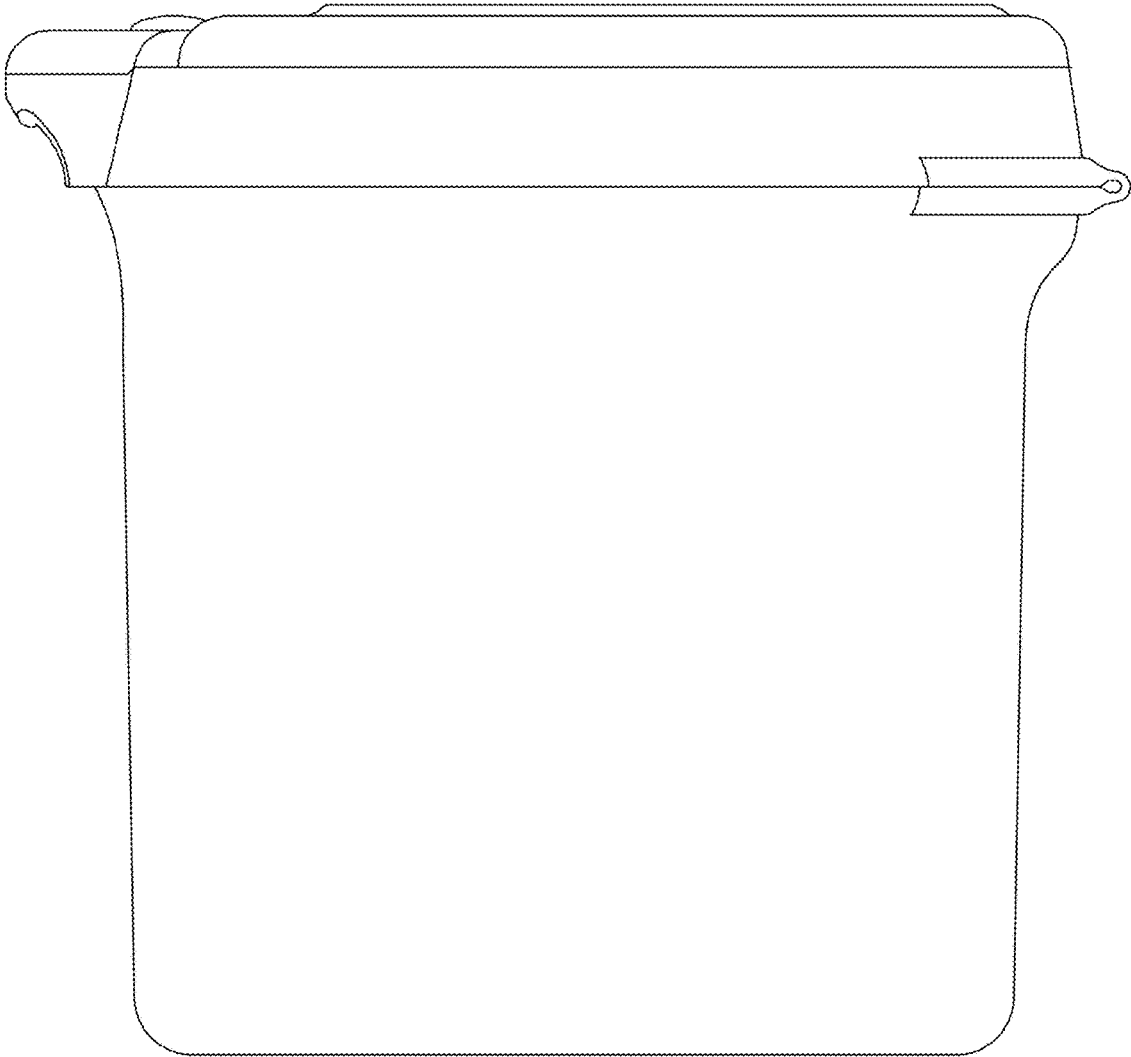
1.5



1.6



1.7



1.8

