



US00D984511S

(12) **United States Design Patent**
Pang et al.

(10) **Patent No.:** **US D984,511 S**

(45) **Date of Patent:** **** Apr. 25, 2023**

(54) **CAMERA**

(71) Applicant: **CEDAR ELECTRONICS HOLDINGS CORP.**, Chicago, IL (US)

(72) Inventors: **Chi Wah Pang**, Hong Kong (HK);
Paul Lee, Schaumburg, IL (US);
Jonathan Charles Levell, Evanston, IL (US);
Venkatash Rao, Cary, IL (US)

(73) Assignee: **Cedar Electronics Holdings Corp.**,
Chicago, IL (US)

(**) Term: **15 Years**

(21) Appl. No.: **29/749,822**

(22) Filed: **Sep. 9, 2020**

(51) **LOC (14) Cl.** **16-01**

(52) **U.S. Cl.**
USPC **D16/218; D16/202**

(58) **Field of Classification Search**
USPC D16/200, 202–206, 218, 219, 242
CPC G03B 17/02; G03B 19/04; G03B 17/56;
G03B 17/04; G03B 15/03; H04N 5/2251;
H04N 5/2252; H04N 5/2253; H04N
5/2254; H04N 23/50; H04N 23/51; H04N
23/54; H04N 23/55; H04N 23/63
See application file for complete search history.

(56) **References Cited**

U.S. PATENT DOCUMENTS

D455,768 S * 4/2002 Tsang D16/202
D465,504 S * 11/2002 Van Klinken D16/203

D480,741 S * 10/2003 Berger D16/202
D594,047 S * 6/2009 Lee D16/202
D764,559 S * 8/2016 Luo D16/202
D791,211 S * 7/2017 Fujita D16/219
D834,085 S * 11/2018 Lu D16/203
D849,108 S * 5/2019 Huang D16/218
D908,761 S 1/2021 Grant et al.
D908,762 S 1/2021 Grant et al.
D908,763 S 1/2021 Grant et al.
D908,764 S 1/2021 Grant et al.
2014/0160349 A1* 6/2014 Huang H04N 23/51
348/375

* cited by examiner

Primary Examiner — Ramzi Almatrahi

(74) *Attorney, Agent, or Firm* — K&L Gates LLP

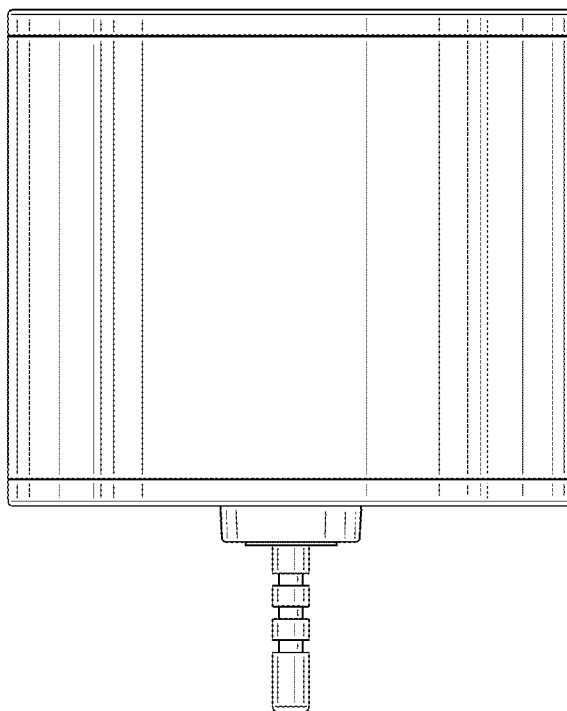
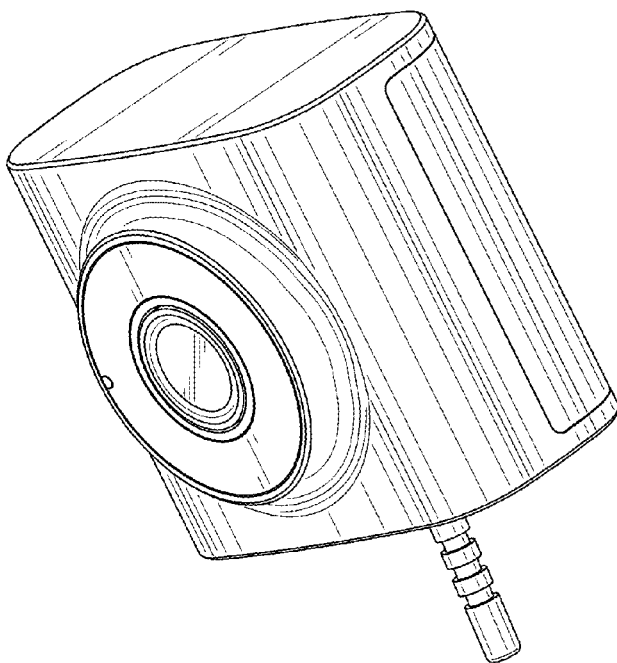
(57) **CLAIM**

The ornamental design for a camera, as shown and described.

DESCRIPTION

FIG. 1 is a top, front and left side perspective view of a camera according to the present design;
FIG. 2 is a front elevation view thereof;
FIG. 3 is a rear elevation view thereof;
FIG. 4 is a right side elevation view thereof;
FIG. 5 is a left side elevation view thereof;
FIG. 6 is a top plan view thereof; and,
FIG. 7 is a bottom plan view thereof.

1 Claim, 7 Drawing Sheets



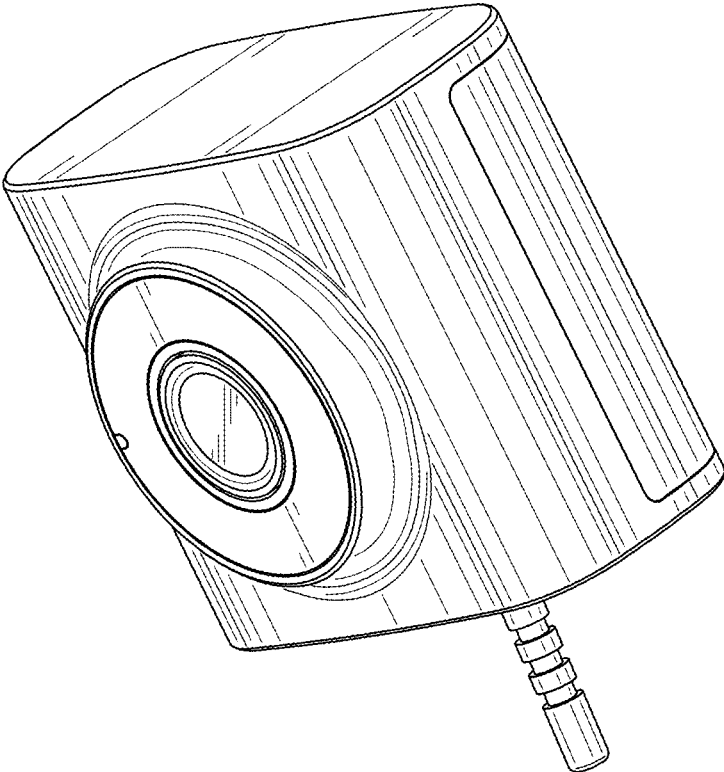


FIG. 1

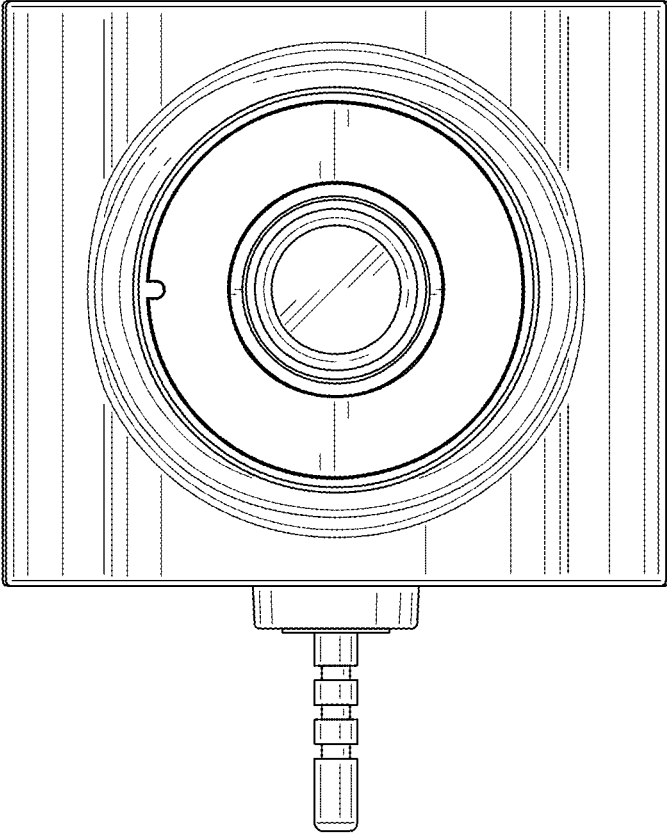


FIG. 2

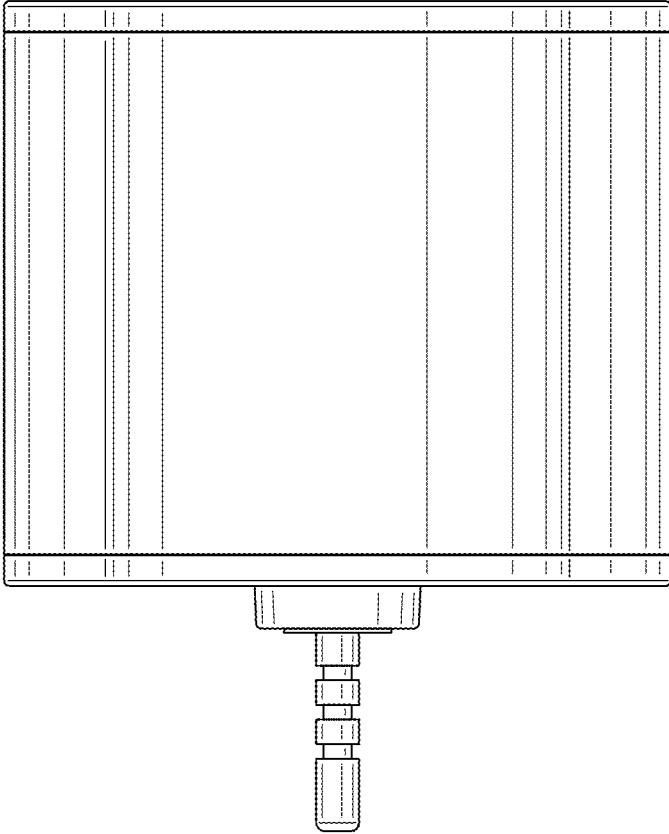


FIG. 3

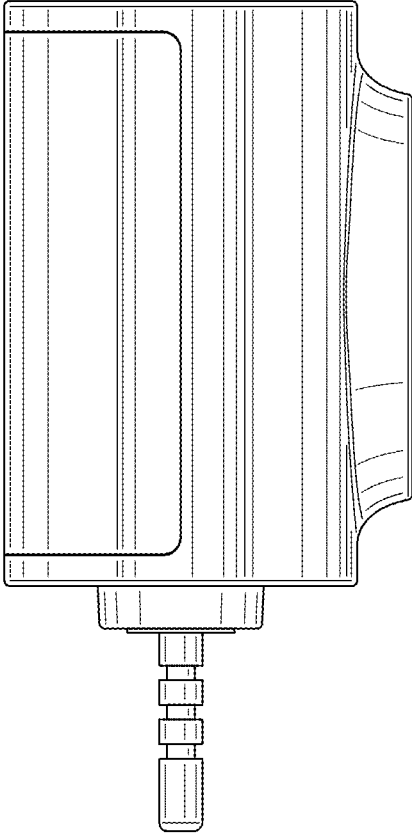


FIG. 4

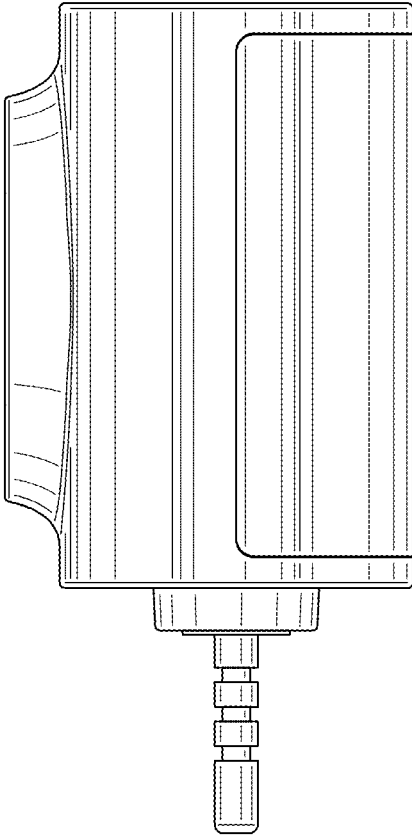


FIG. 5

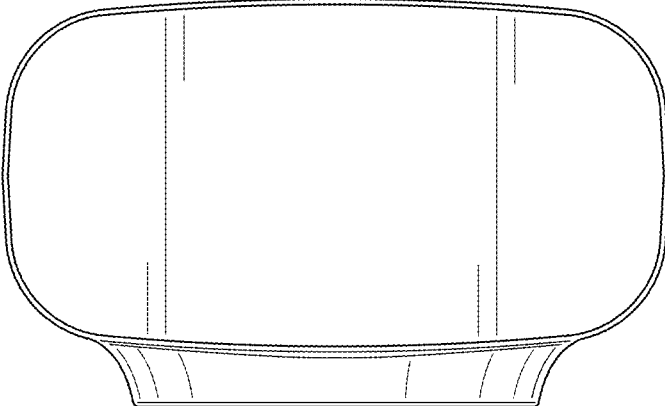


FIG. 6

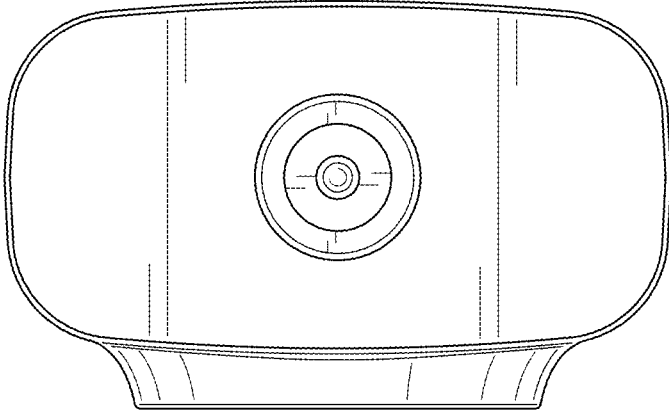


FIG. 7