



US00D747571S

(12) **United States Design Patent**  
**Dyson et al.**

(10) **Patent No.:** **US D747,571 S**

(45) **Date of Patent:** **\*\* \*Jan. 12, 2016**

(54) **PART OF A VACUUM CLEANER**

B01D 50/002; B01D 45/12

See application file for complete search history.

(71) Applicant: **Dyson Technology Limited**, Wiltshire (GB)

(56) **References Cited**

(72) Inventors: **James Dyson**, Bristol (GB); **Jonathan George Marsh**, Swindon (GB); **Peter David Gammack**, Swindon (GB); **Stephen Robert Dimbylow**, Swindon (GB)

U.S. PATENT DOCUMENTS

(73) Assignee: **Dyson Technology Limited**, Malmesbury, Wiltshire (GB)

D577,163	S *	9/2008	Dyson et al.	.....	D32/21
7,931,716	B2 *	4/2011	Oakham	.....	55/337
D668,010	S *	9/2012	Stickney et al.	.....	D32/18
D668,823	S *	10/2012	Stickney et al.	.....	D32/18
8,925,145	B2 *	1/2015	Wilson	.....	15/347
2009/0307863	A1 *	12/2009	Milne et al.	.....	15/344
2010/0253264	A1 *	10/2010	Clothier et al.	.....	318/400.14
2014/0097323	A1 *	4/2014	Lamb	.....	248/634
2014/0137364	A1 *	5/2014	Stickney et al.	.....	15/347
2014/0328670	A1 *	11/2014	Lamb	.....	415/119
2014/0366286	A1 *	12/2014	Zheng et al.	.....	15/3

(\* ) Notice: This patent is subject to a terminal disclaimer.

\* cited by examiner

(\*\*) Term: **14 Years**

*Primary Examiner* — Ruth McInroy

(21) Appl. No.: **29/500,111**

(74) *Attorney, Agent, or Firm* — Morrison & Foerster LLP

(22) Filed: **Aug. 21, 2014**

(57) **CLAIM**

(30) **Foreign Application Priority Data**

We claim the ornamental design for a part of a vacuum cleaner, as shown and described.

Feb. 21, 2014 (EM) ..... 002410019-0002

**DESCRIPTION**

(51) **LOC (10) Cl.** ..... **15-05**

FIG. 1 is a perspective view of a part of a vacuum cleaner showing our new design;

(52) **U.S. Cl.**

FIG. 2 is a side view thereof;

USPC ..... **D32/18**

FIG. 3 is a side view of the opposite side of FIG. 2;

(58) **Field of Classification Search**

USPC ..... D32/1, 15-16, 21-22, 31, 34; D30/158

FIG. 4 is a front view thereof;

CPC ..... A47L 5/24; A47L 5/362; A47L 15/28;

FIG. 5 is a rear view thereof;

A47L 9/325; A47L 9/2857; A47L 9/1427;

FIG. 6 is a top view thereof; and,

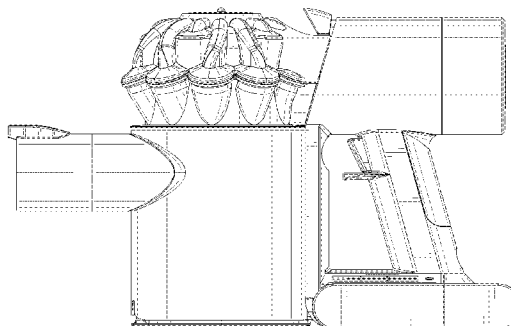
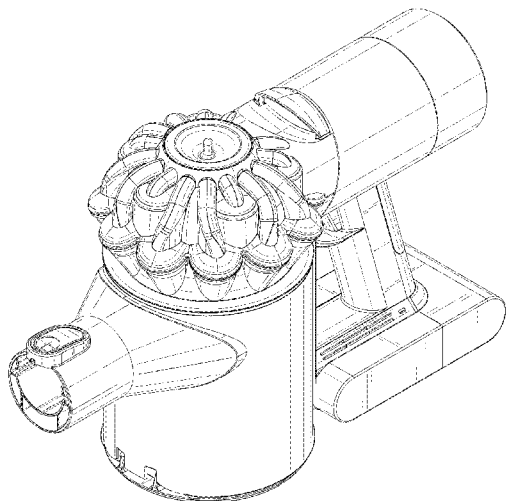
A47L 15/14; A47L 9/2884; A47L 9/1666;

FIG. 7 is a bottom view thereof.

A47L 9/1683; A47L 9/1625; A47L 9/22;

B26B 19/44; B60S 3/002; F28G 3/166;

**1 Claim, 5 Drawing Sheets**



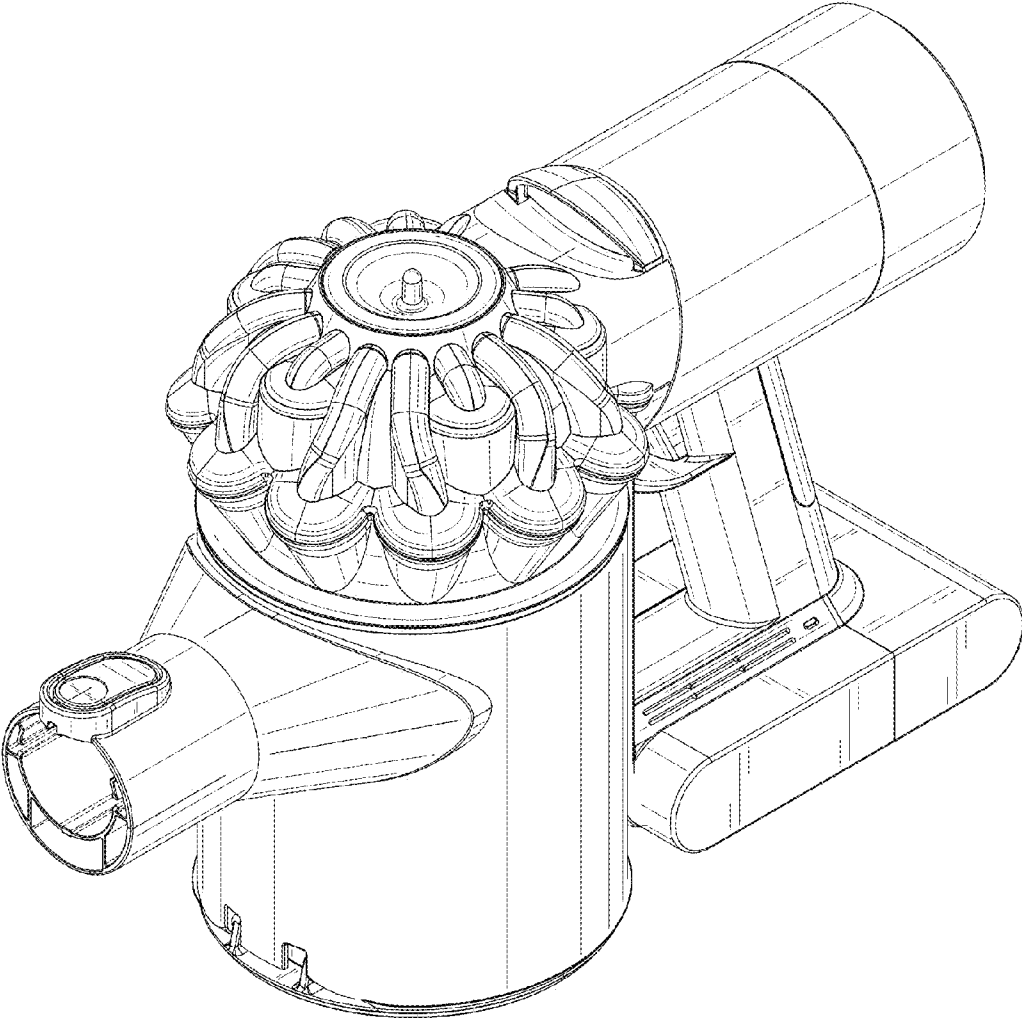


FIG. 1

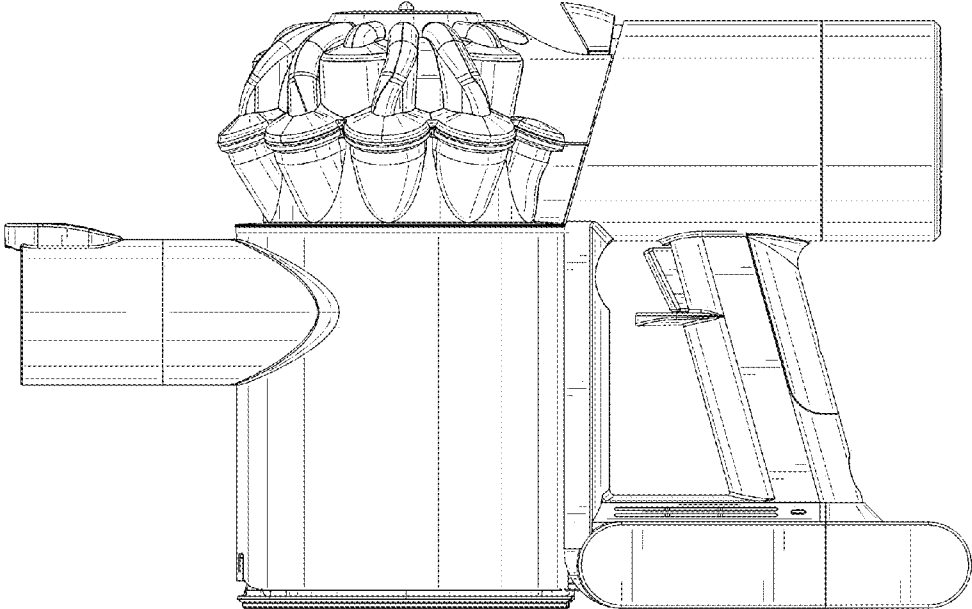


FIG. 2

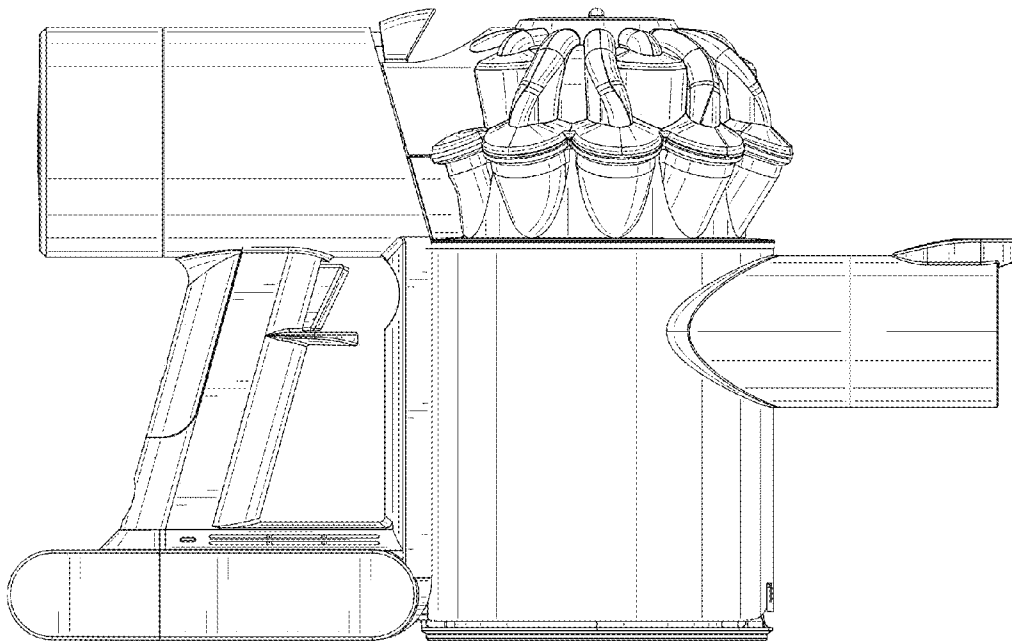


FIG. 3

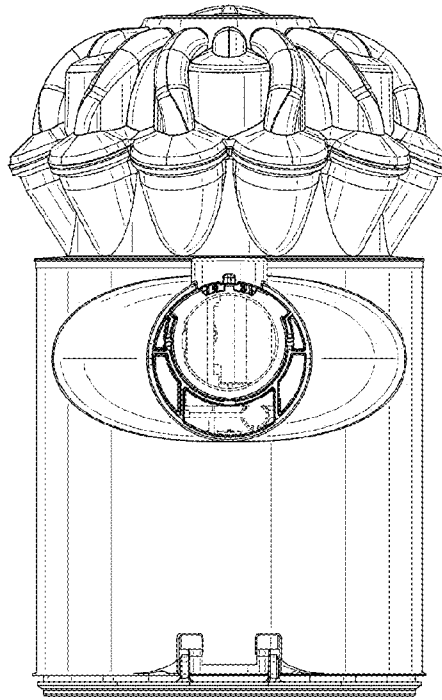


FIG. 4

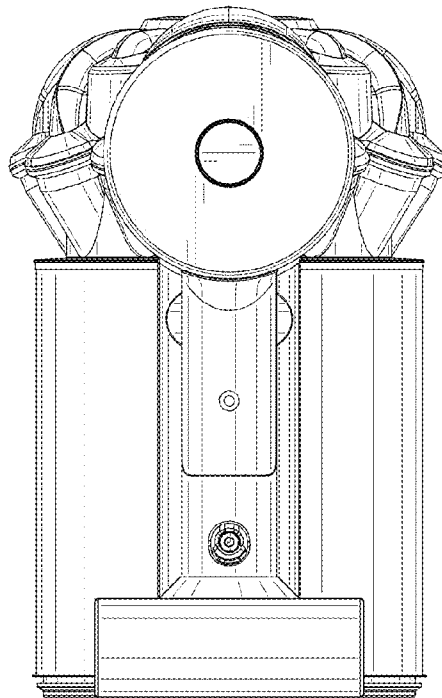


FIG. 5

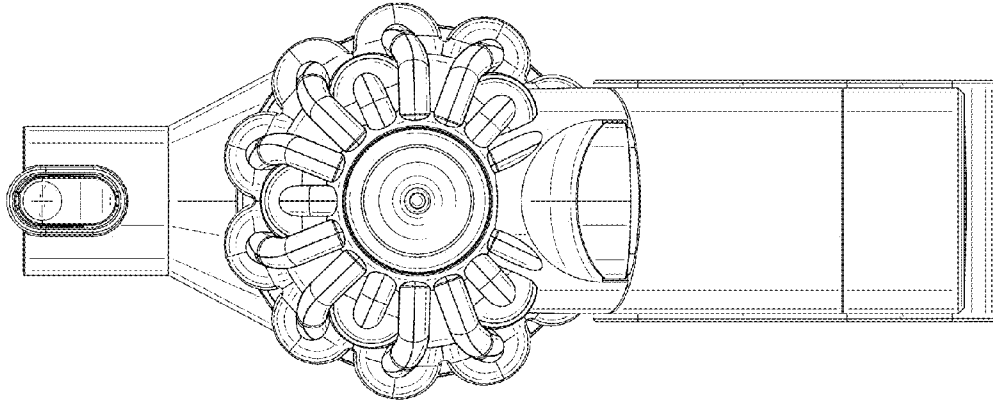


FIG. 6

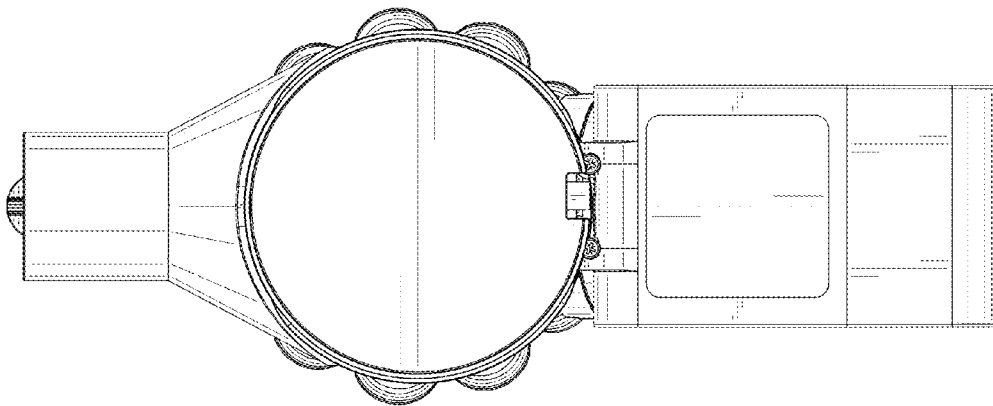


FIG. 7