



US00D371309S

United States Patent [19]
Webb

[11] **Patent Number:** **Des. 371,309**
[45] **Date of Patent:** ****Jul. 2, 1996**

- [54] **LASER BUBBLE LEVEL**
- [76] Inventor: **James Webb**, 877 Ave. B, Redondo Beach, Calif. 90277
- [**] Term: **14 Years**
- [21] Appl. No.: **42,211**
- [22] Filed: **Aug. 4, 1995**
- [52] **U.S. Cl.** **D10/69**
- [58] **Field of Search** D10/69; 33/365-390

- [56] **References Cited**
- U.S. PATENT DOCUMENTS**
- D. 301,553 6/1989 Makofsky et al. D10/69
- D. 355,134 2/1995 Kennedy D10/69
- 4,829,676 5/1989 Waldron D10/69 X

Primary Examiner—Antoine Duval Davis

Attorney, Agent, or Firm—Roger A. Marrs

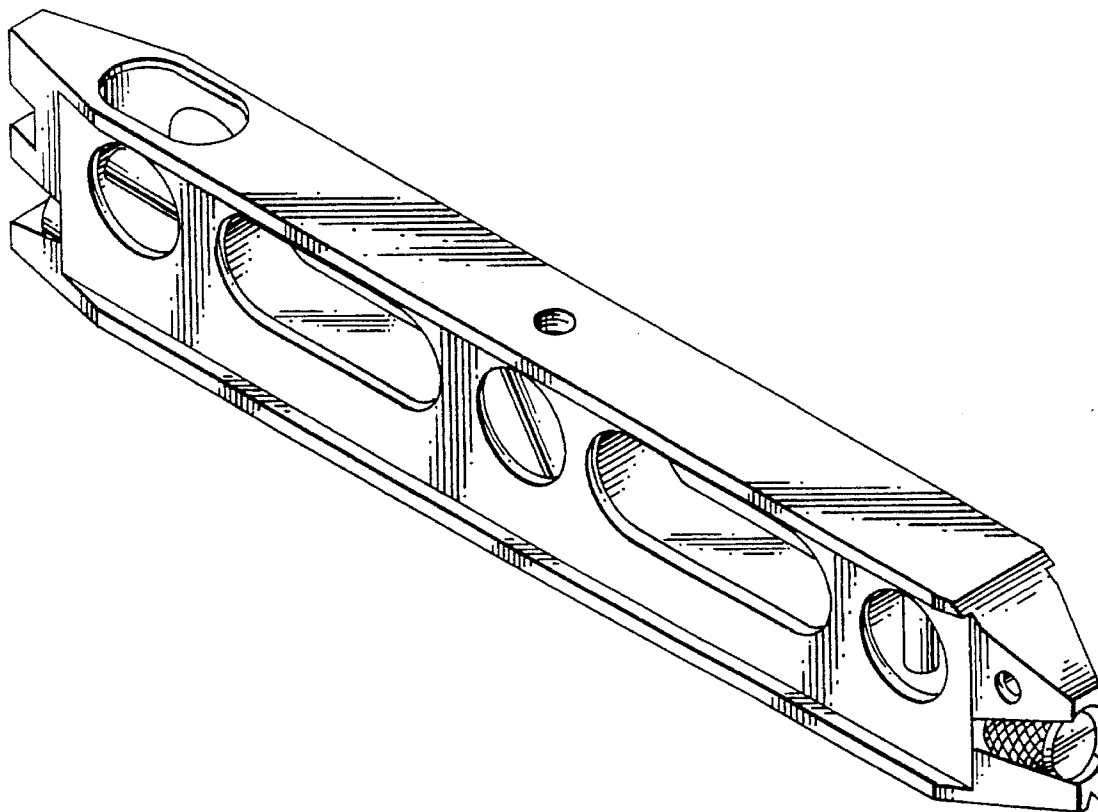
[57] **CLAIM**

The ornamental design for laser bubble level, as shown.

DESCRIPTION

FIG. 1 is a front perspective view showing my new design for a laser bubble level;
 FIG. 2 is a rear perspective thereof;
 FIG. 3 is a side elevational view thereof with the opposite side being a mirror image thereof;
 FIG. 4 is a top plan view thereof;
 FIG. 5 is a bottom view thereof;
 FIG. 6 is an end elevational view thereof; and,
 FIG. 7 is an end elevational view opposite from the end shown in FIG. 6.

1 Claim, 2 Drawing Sheets



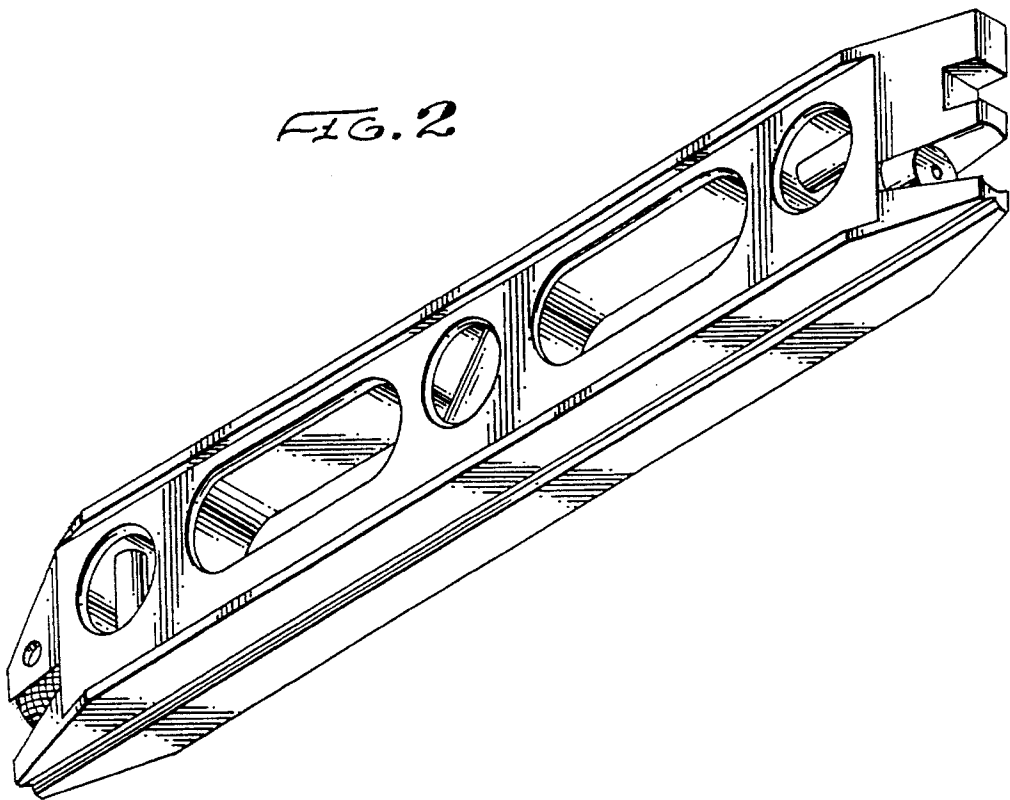
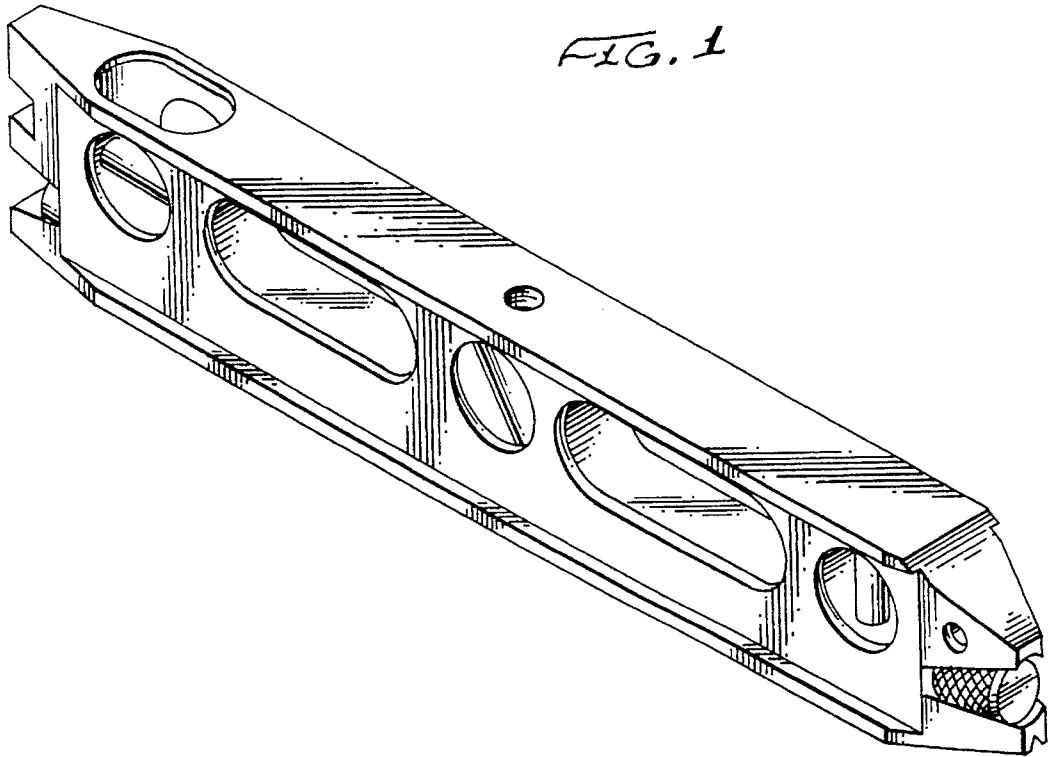


FIG. 3

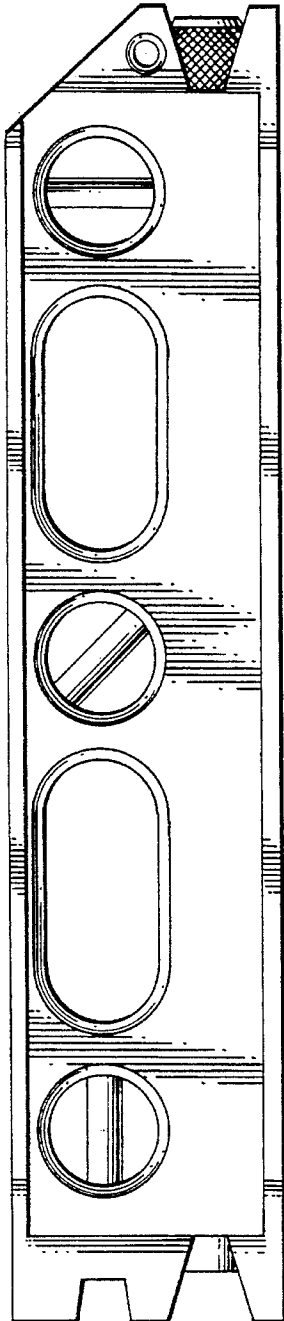


FIG. 4

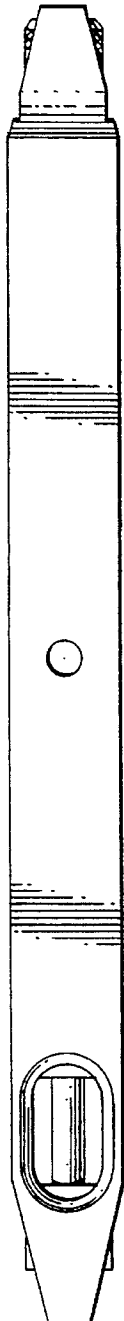


FIG. 5



FIG. 7

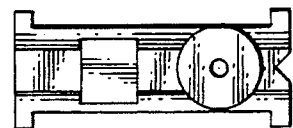
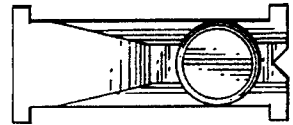


FIG. 6